



US00D772443S

(12) **United States Design Patent** (10) **Patent No.:** **US D772,443 S**  
**Walker et al.** (45) **Date of Patent:** **\*\* Nov. 22, 2016**

(54) **SPA LIGHT**

(71) Applicant: **Custom Molded Products, Inc.**,  
Newnan, GA (US)

(72) Inventors: **Victor L. Walker**, Temecula, CA (US);  
**Paul H. Kern**, Senoia, GA (US)

(73) Assignee: **Custom Molded Products, Inc.**,  
Newnan, GA (US)

(\*\*) Term: **15 Years**

(21) Appl. No.: **29/559,184**

(22) Filed: **Mar. 25, 2016**

**Related U.S. Application Data**

(62) Division of application No. 29/472,340, filed on Nov. 12, 2013, now Pat. No. Des. 759,271.

(51) **LOC (10) Cl.** ..... **26-05**

(52) **U.S. Cl.**  
USPC ..... **D26/26**

(58) **Field of Classification Search**  
USPC ..... D26/26, 24, 113, 118, 119, 120;  
D23/366, 367, 369; 362/640, 641, 642,  
362/643, 644, 650, 651, 652, 653, 659  
CPC .... F21S 8/035; F21V 23/06; F21V 23/0442;  
F21W 2121/00; H01R 2103/00  
See application file for complete search history.

(56) **References Cited**

**U.S. PATENT DOCUMENTS**

D346,869 S \* 5/1994 Houssian ..... D26/26  
D412,040 S \* 7/1999 Hudak ..... D26/85

D523,972 S \* 6/2006 Chan ..... D26/26  
D563,588 S \* 3/2008 Mullen ..... D26/85  
D569,030 S \* 5/2008 Lee ..... D26/85  
D612,522 S \* 3/2010 Howard ..... D26/26  
D612,959 S \* 3/2010 Howard ..... D26/26  
D617,491 S \* 6/2010 Dordoni ..... D26/85  
D618,828 S \* 6/2010 Choi ..... D10/5  
D639,985 S \* 6/2011 Stolte ..... D26/26  
D646,006 S \* 9/2011 Stolte ..... D26/26  
D759,271 S \* 6/2016 Walker ..... D26/26  
2003/0086266 A1 \* 5/2003 Leen ..... F21S 8/035  
362/276

\* cited by examiner

*Primary Examiner* — Angela J Lee

(74) *Attorney, Agent, or Firm* — Laurence P. Colton;  
Smith Tempel Blaha LLC

(57) **CLAIM**

The ornamental design for a spa light, as shown and described.

**DESCRIPTION**

FIG. 1 is a perspective view of the spa light of the present design.

FIG. 2 is a front view thereof.

FIG. 3 is a rear view thereof.

FIG. 4 is a right side view thereof.

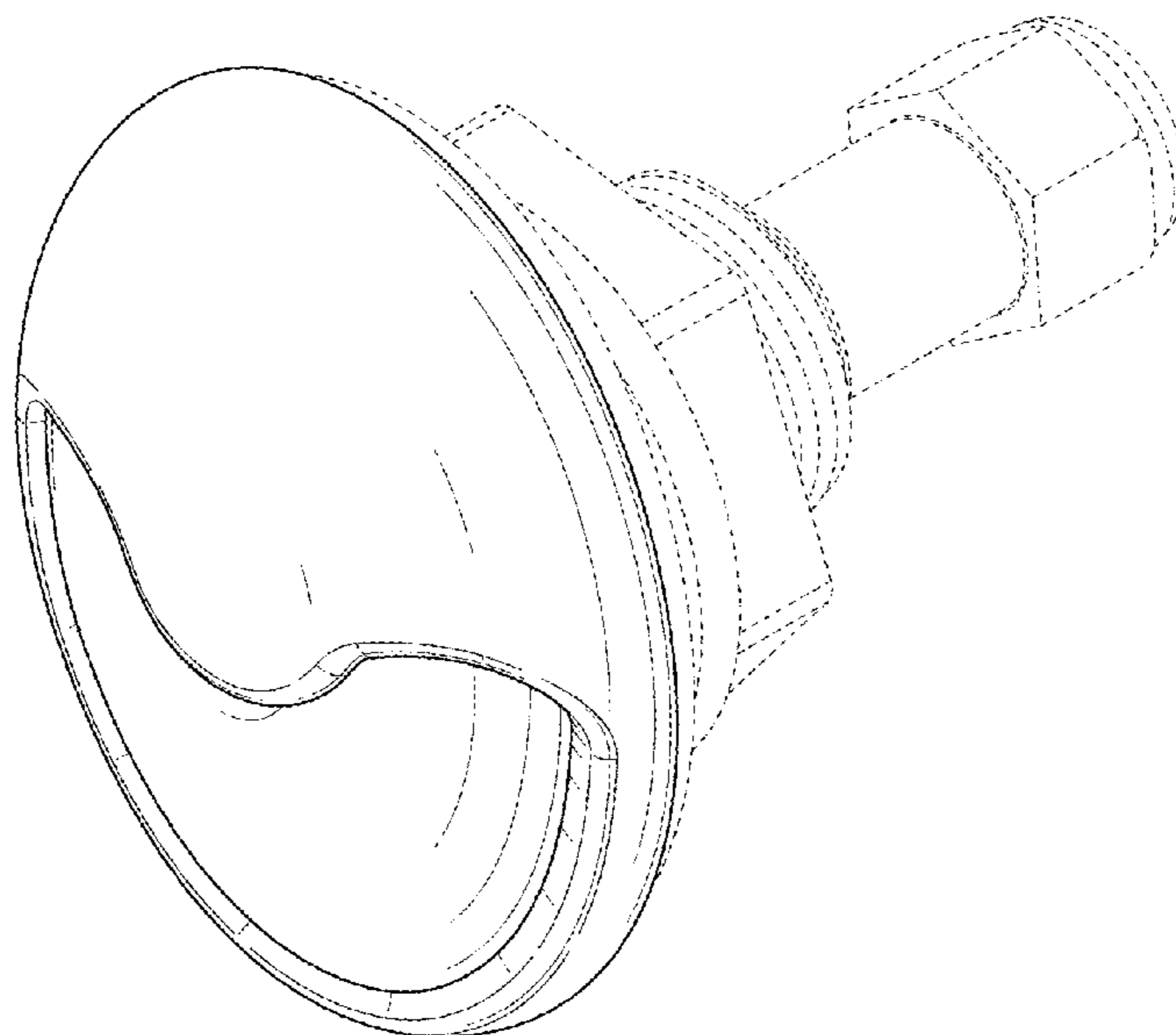
FIG. 5 is a left side view thereof.

FIG. 6 is a top view thereof; and,

FIG. 7 is a bottom view thereof.

The broken line portions of FIGS. 1 and 3-7 are included to show unclaimed subject matter only and form no part of the claimed design.

**1 Claim, 4 Drawing Sheets**



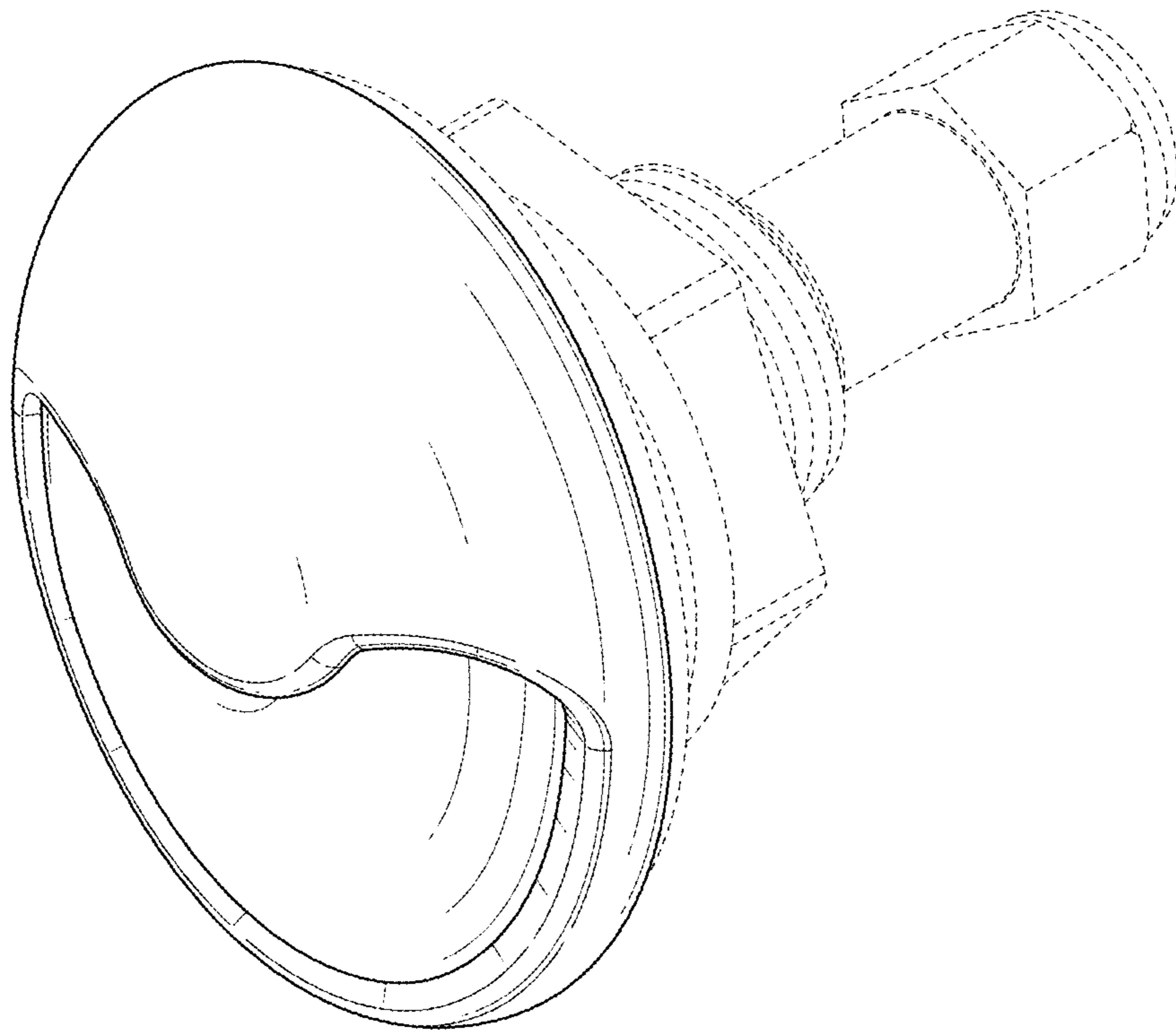


FIG. 1

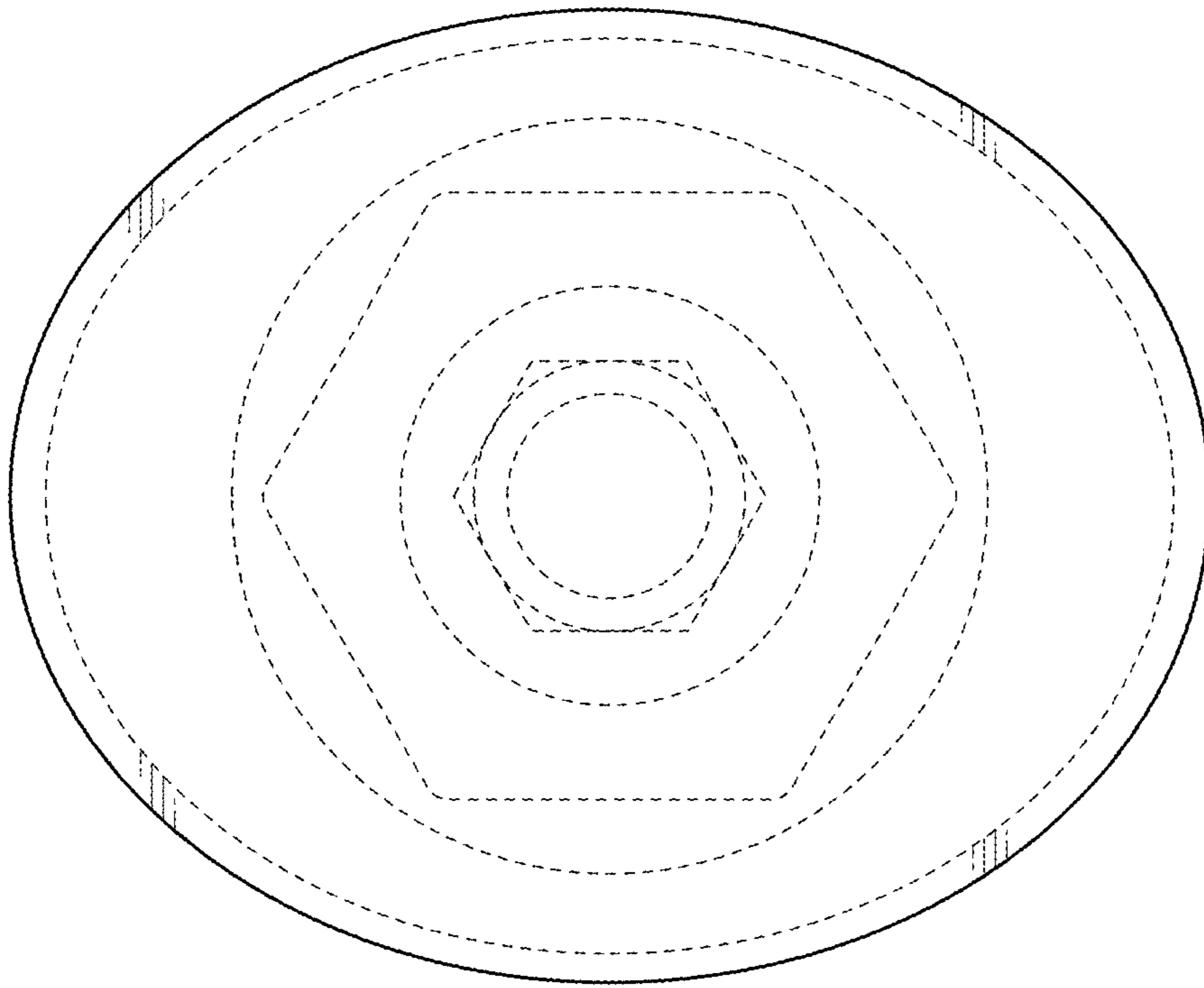


FIG. 3

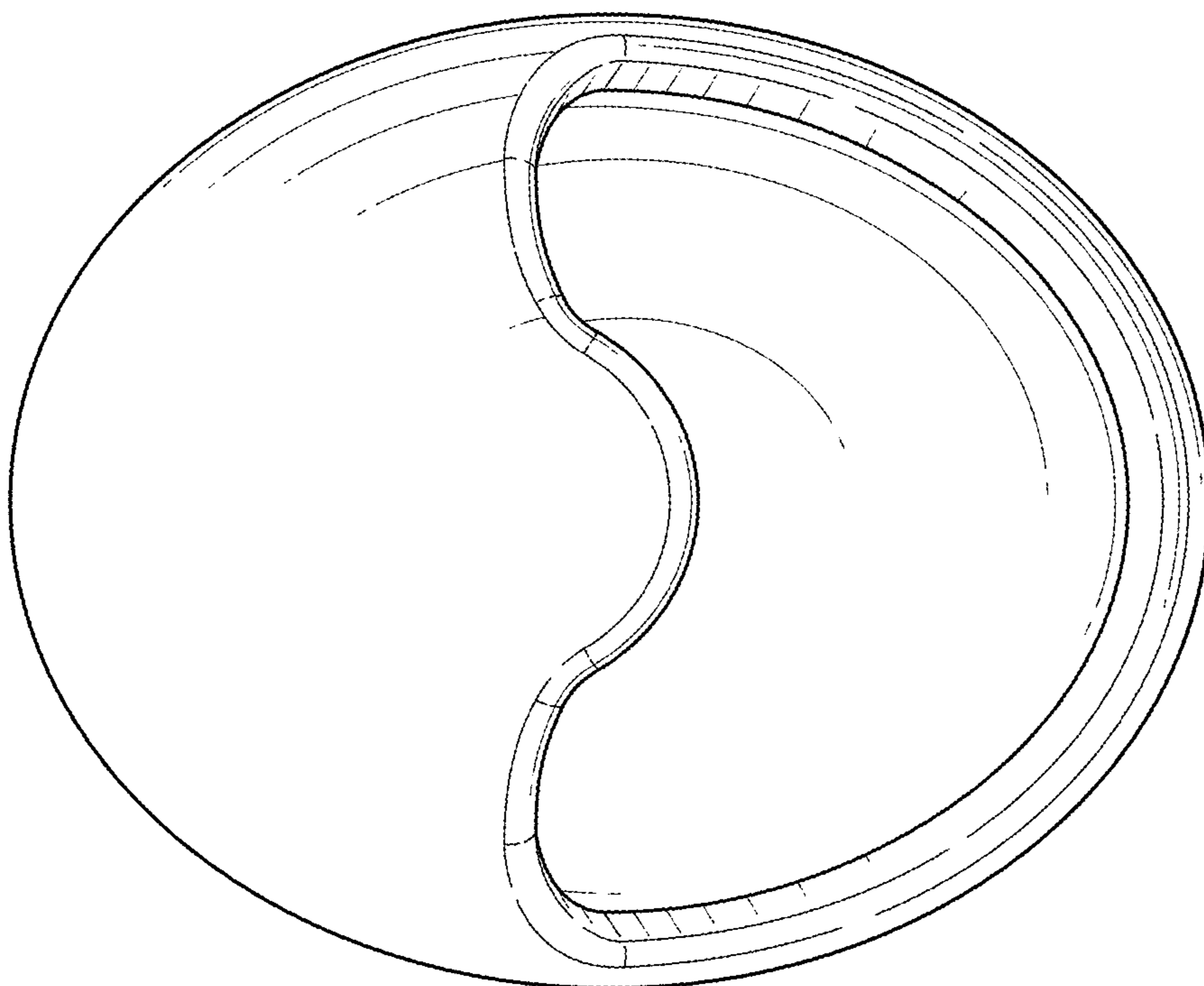


FIG. 2

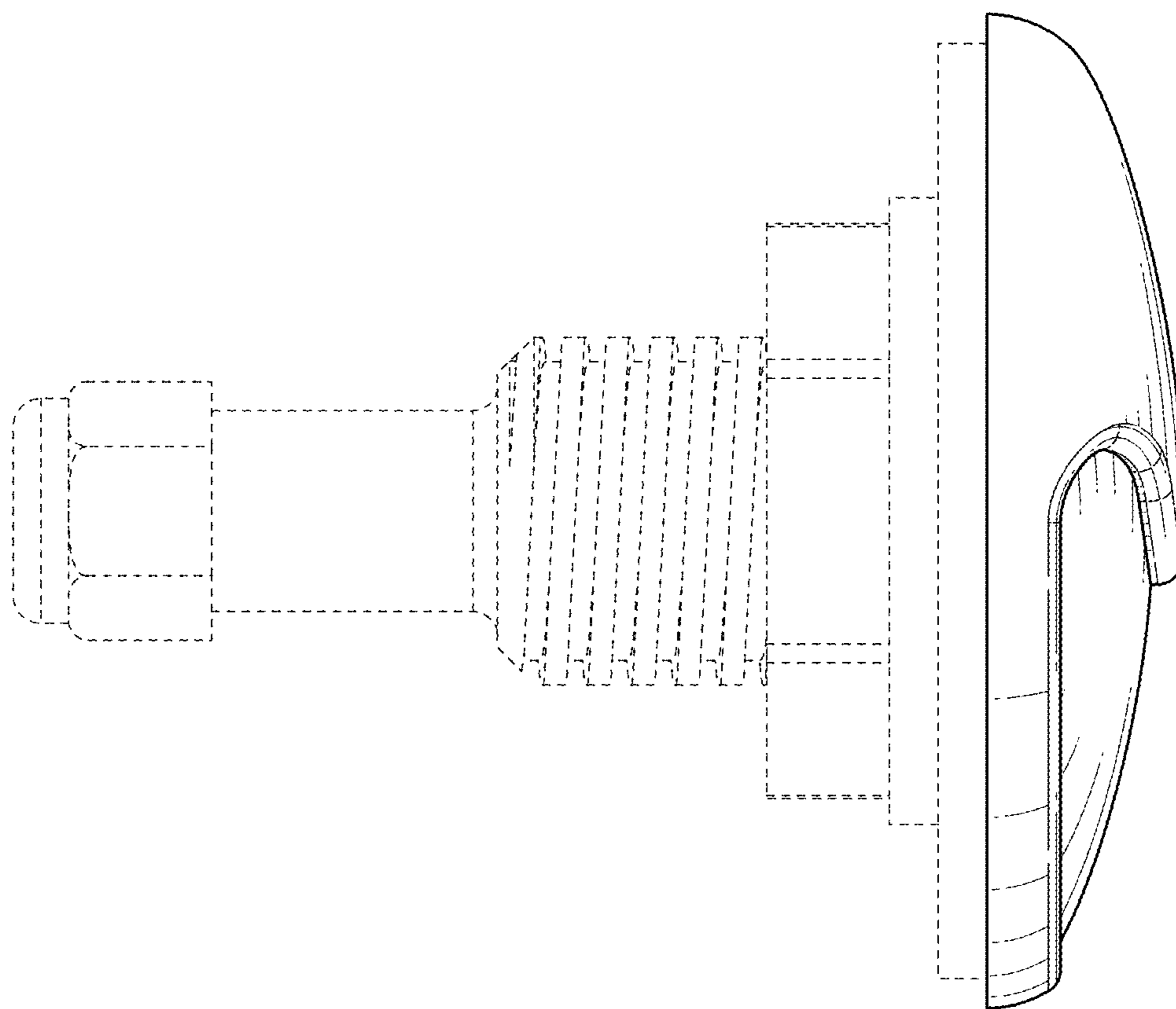


FIG. 4

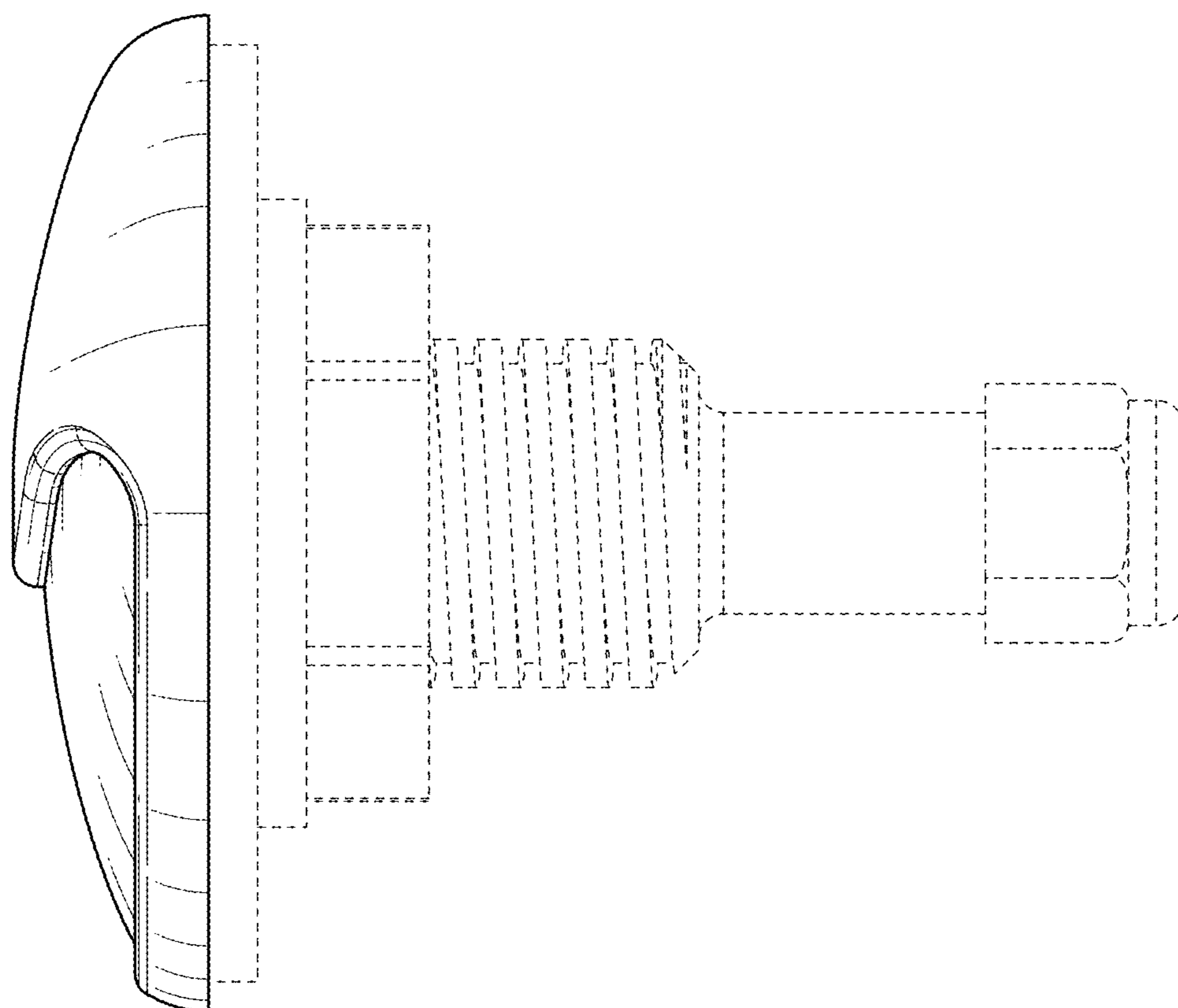


FIG. 5

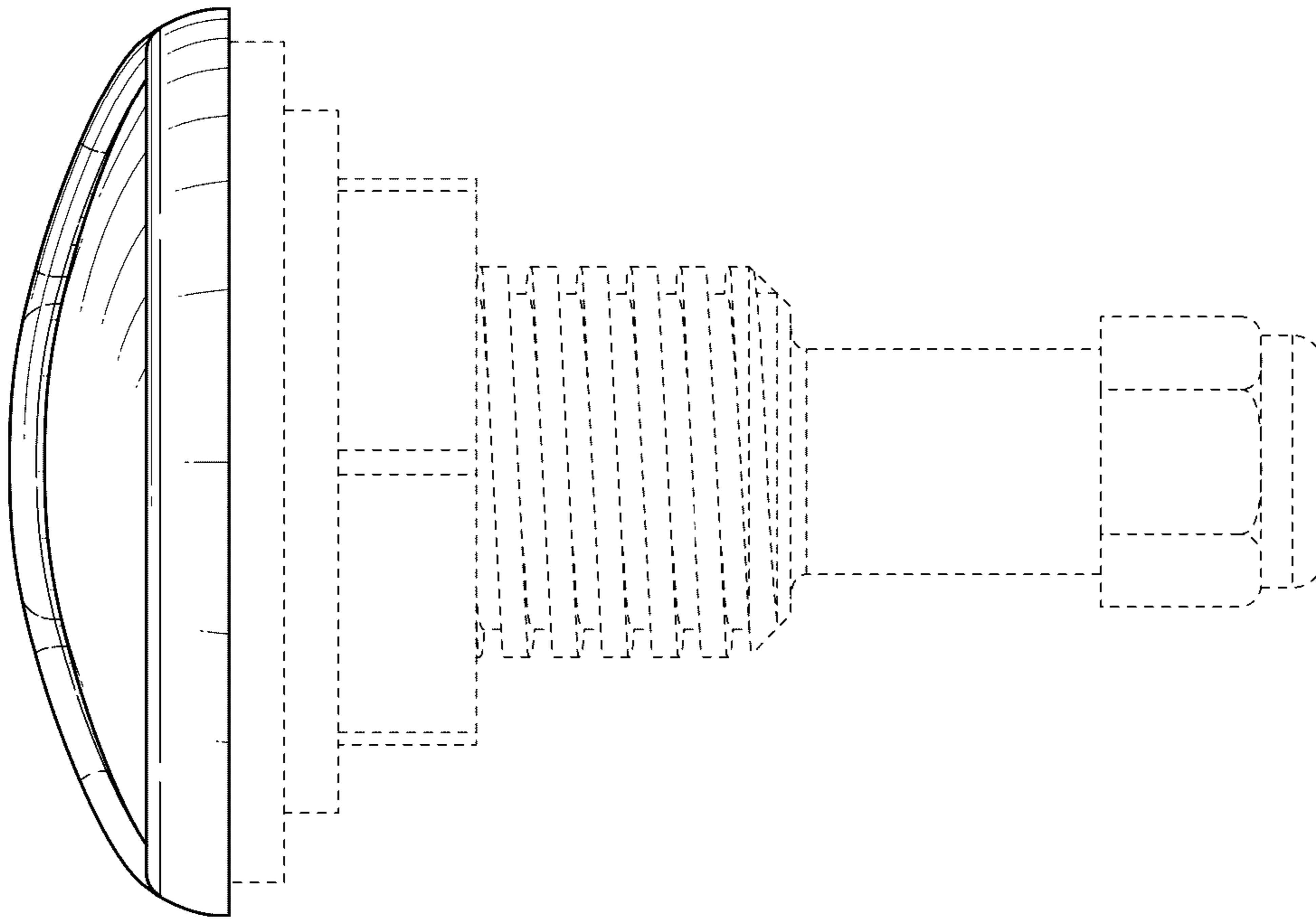


FIG. 7

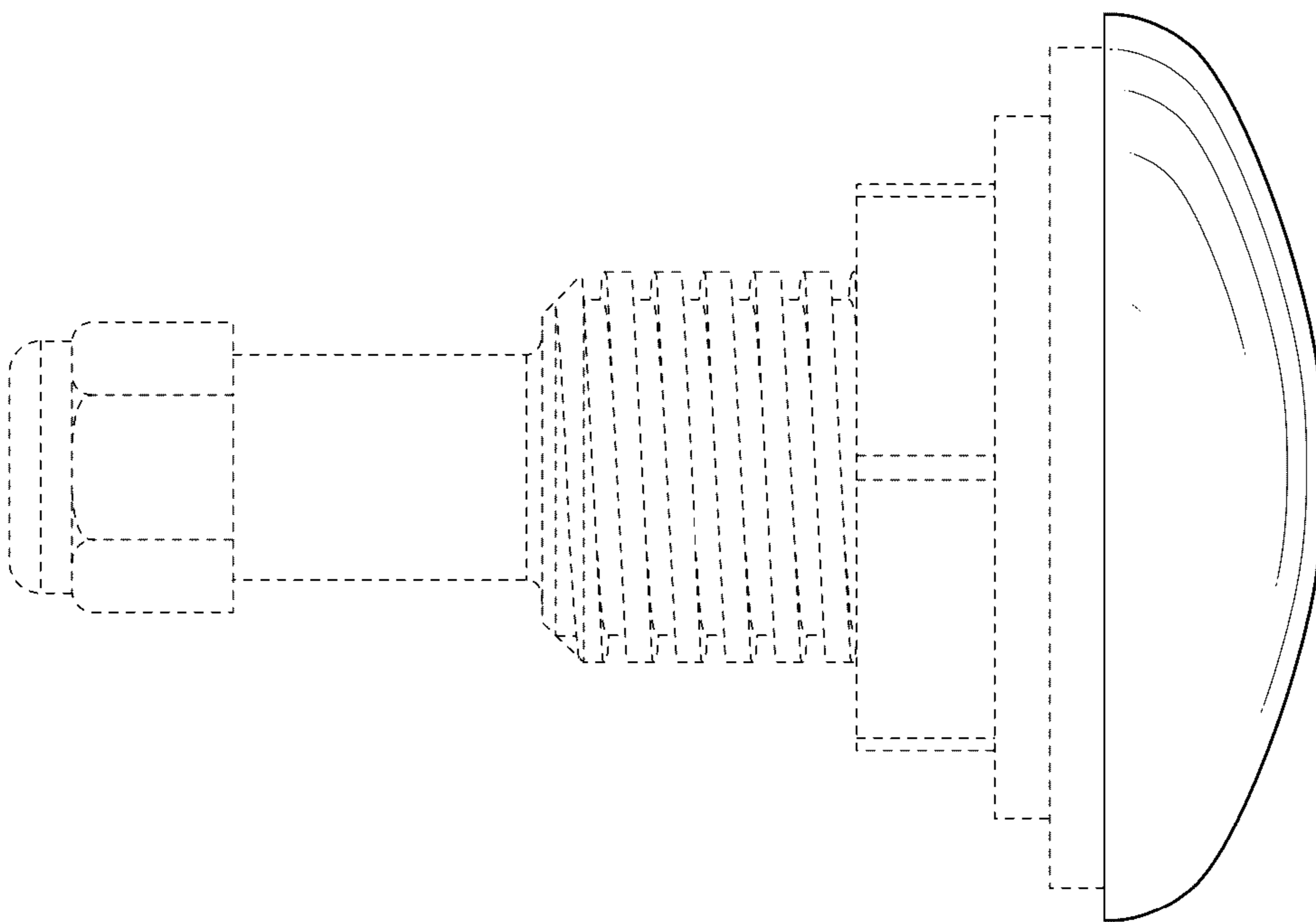


FIG. 6