



US00D772442S

(12) **United States Design Patent** (10) **Patent No.:** **US D772,442 S**
Lange (45) **Date of Patent:** **** Nov. 22, 2016**

(54) **NIGHT LIGHT**

(71) Applicant: **Ryan Neal Lange**, Edmond, OK (US)

(72) Inventor: **Ryan Neal Lange**, Edmond, OK (US)

(**) Term: **15 Years**

(21) Appl. No.: **29/546,429**

(22) Filed: **Nov. 23, 2015**

(51) **LOC (10) Cl.** **26-05**

(52) **U.S. Cl.**
USPC **D26/26**

(58) **Field of Classification Search**
USPC D26/26, 24, 113, 118, 119, 120;
D23/366, 367, 369; 362/640, 641, 642,
362/643, 644, 650, 651, 652, 653, 659
CPC F21S 8/035; F21V 23/06; F21V 23/0442;
F21W 2121/00; H01R 2103/00
See application file for complete search history.

(56) **References Cited**

U.S. PATENT DOCUMENTS

D393,912 S *	4/1998	Yuen	D26/26
D431,660 S *	10/2000	Yuen	D26/26
D457,974 S *	5/2002	Piegras	D26/26
D476,428 S *	6/2003	Stekelenburg	D26/26
D498,009 S *	11/2004	Donnelly	D26/26
D524,458 S *	7/2006	Chan	D26/26

D545,979 S *	7/2007	Molenaar	D26/26
D618,828 S *	6/2010	Choi	D10/5
D633,237 S *	2/2011	Wang	D26/26
D642,707 S *	8/2011	Kang	D26/26
D642,708 S *	8/2011	Kaule	D26/26
D678,561 S *	3/2013	Rugendyke	D26/26
2002/0163796 A1 *	11/2002	Dickie	H05B 33/02 362/84

* cited by examiner

Primary Examiner — Angela J Lee

(74) *Attorney, Agent, or Firm* — Resolution Legal Group;
Bruce LaBrie

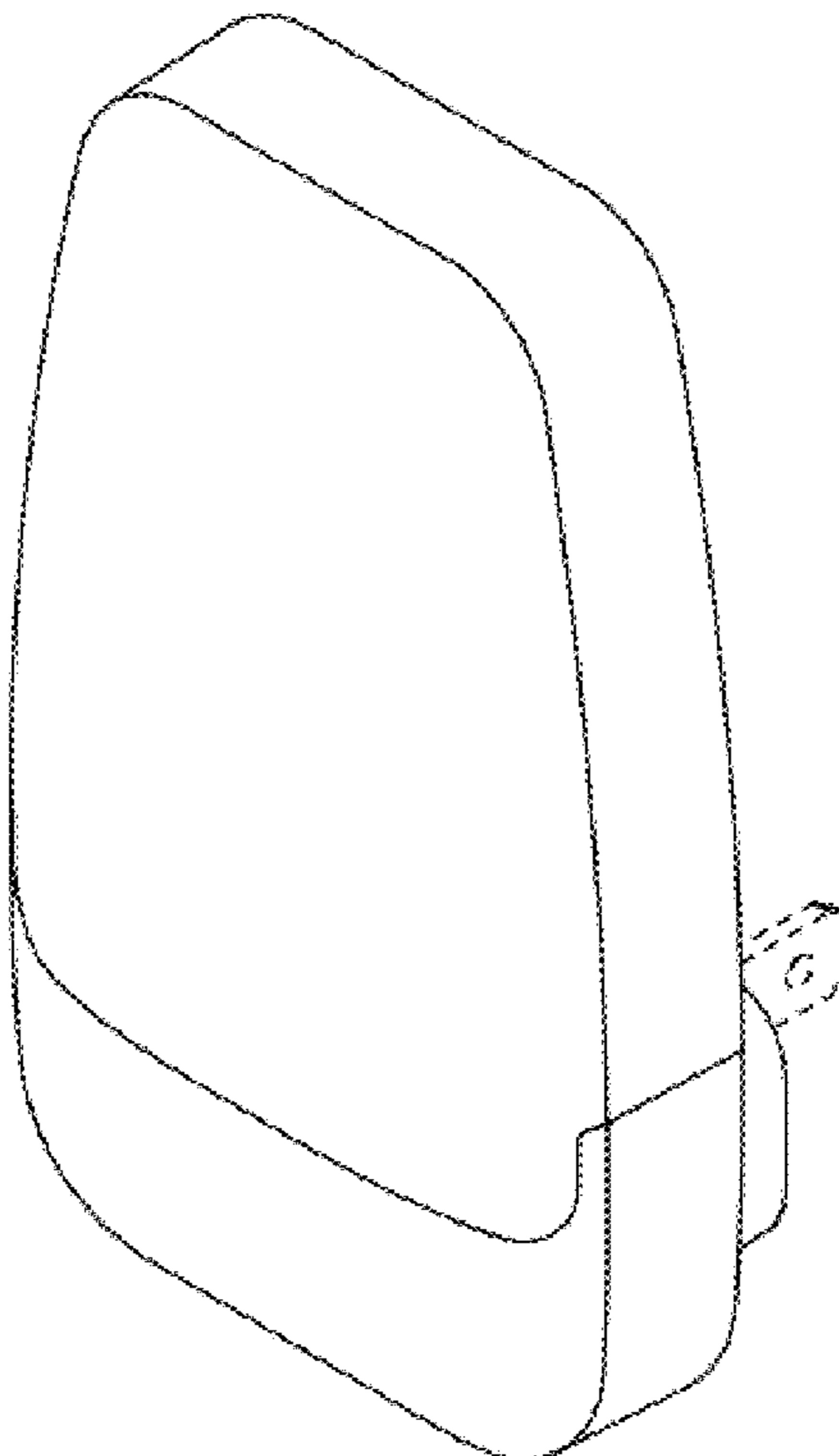
(57) **CLAIM**

The ornamental design for a night light, as shown and described.

DESCRIPTION

FIG. 1 is a left side elevational view of a night light showing my new design;
FIG. 2 is a front elevational view thereof;
FIG. 3 is a right side elevational view thereof;
FIG. 4 is a rear elevational view thereof;
FIG. 5 is a bottom plan view thereof;
FIG. 6 is a top plan view thereof; and,
FIG. 7 is a top, right front perspective view thereof.
The structural features depicted by broken lines have been shown for the purpose of illustrating portions of the night light that form no part of the claimed design.

1 Claim, 1 Drawing Sheet



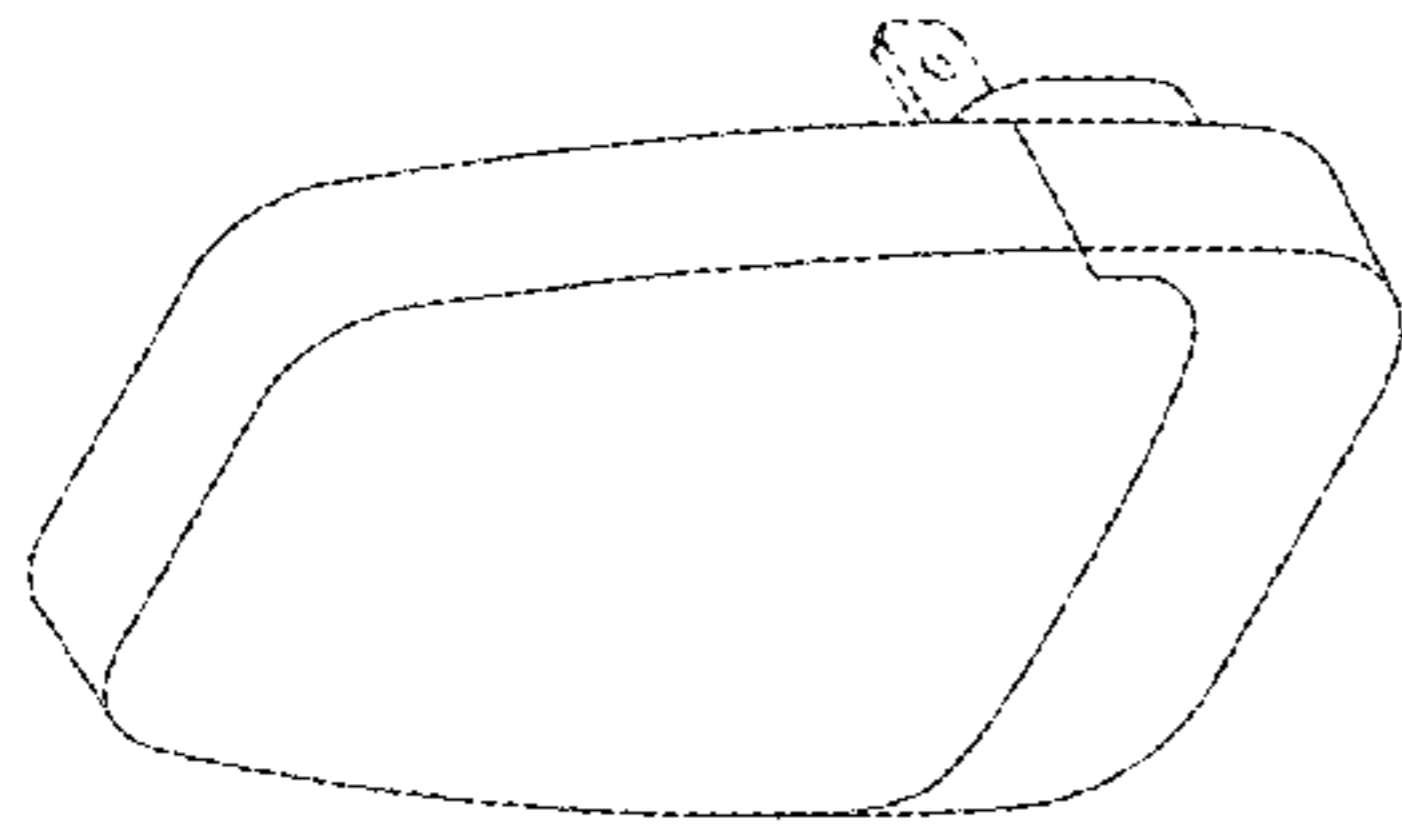


Figure 7

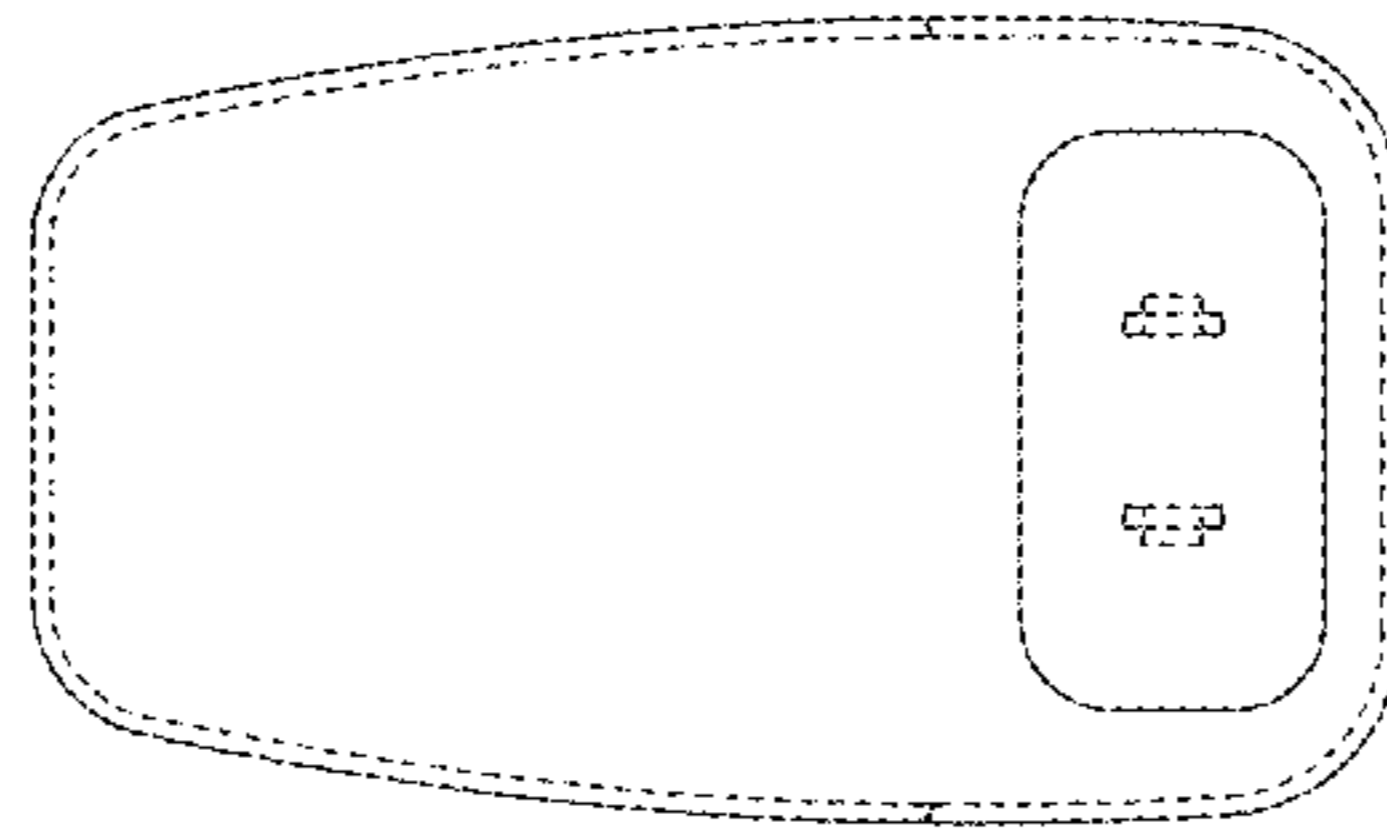


Figure 4

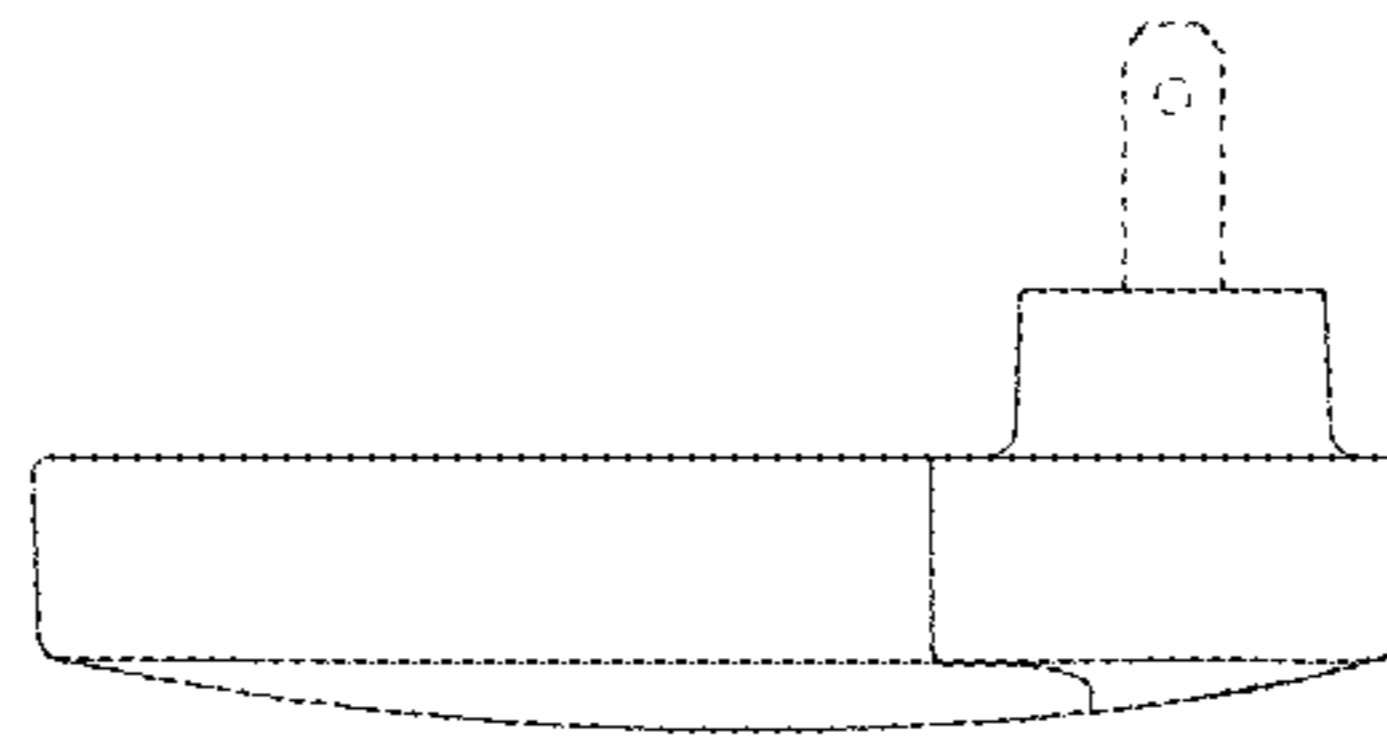


Figure 3

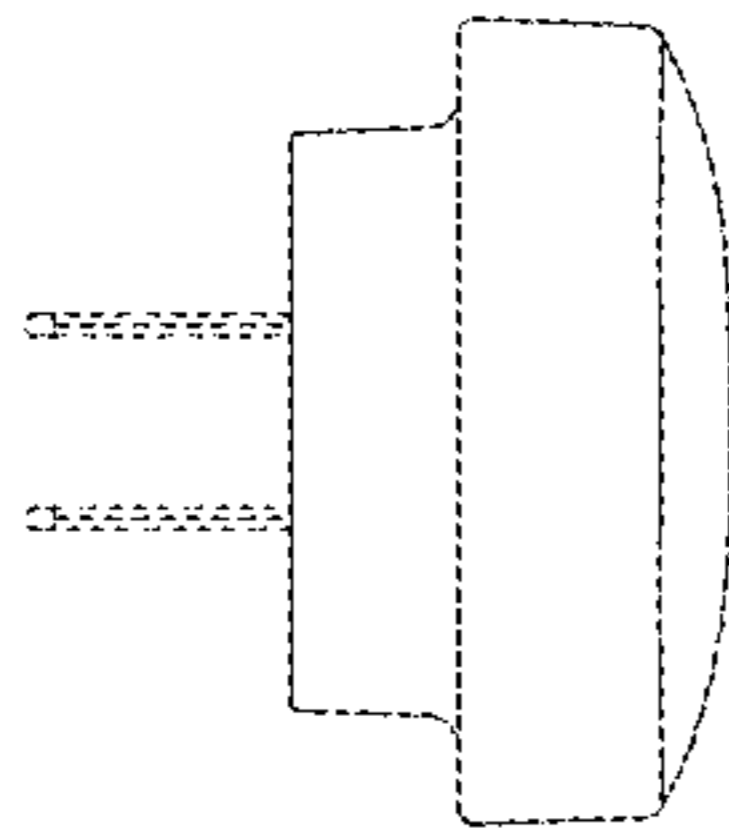


Figure 6

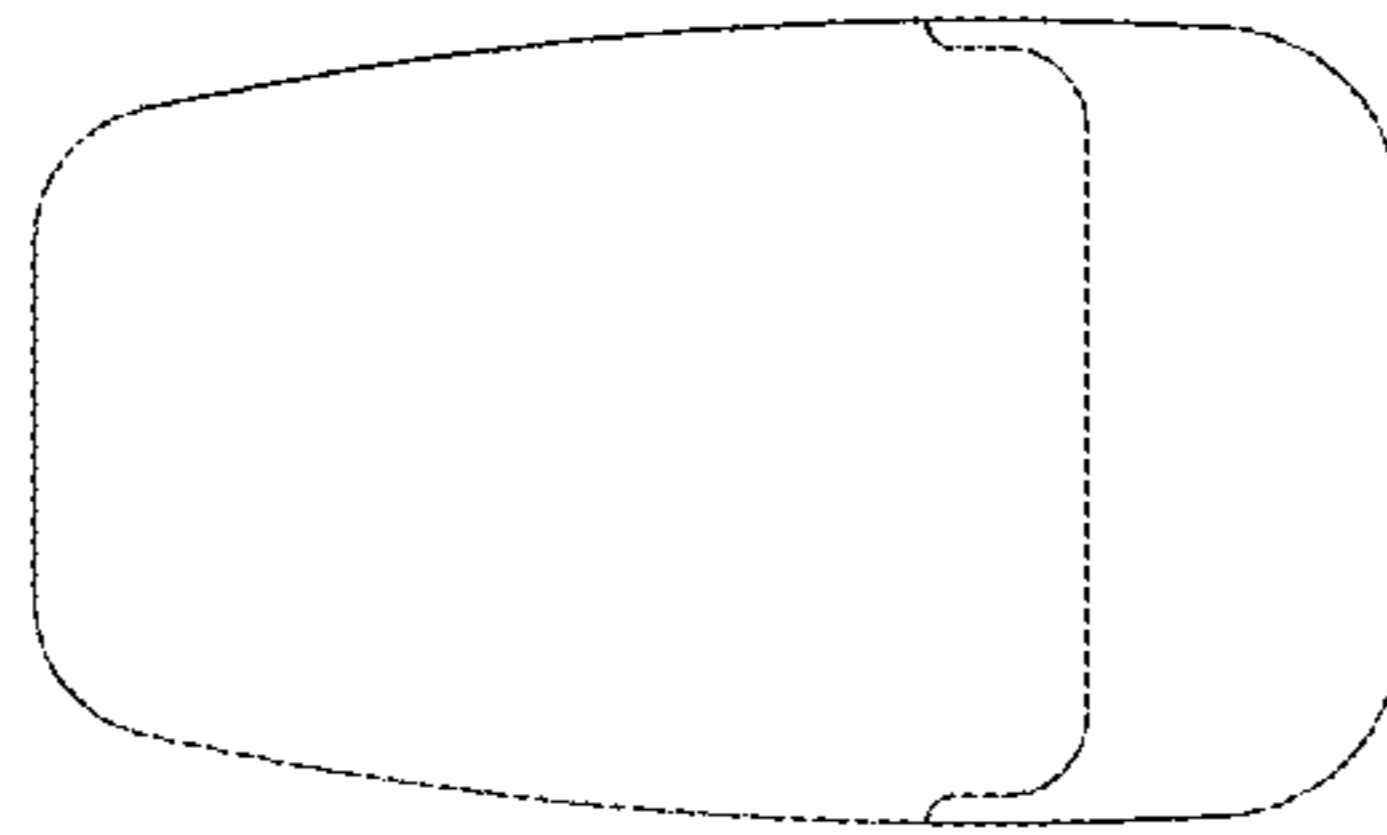


Figure 2

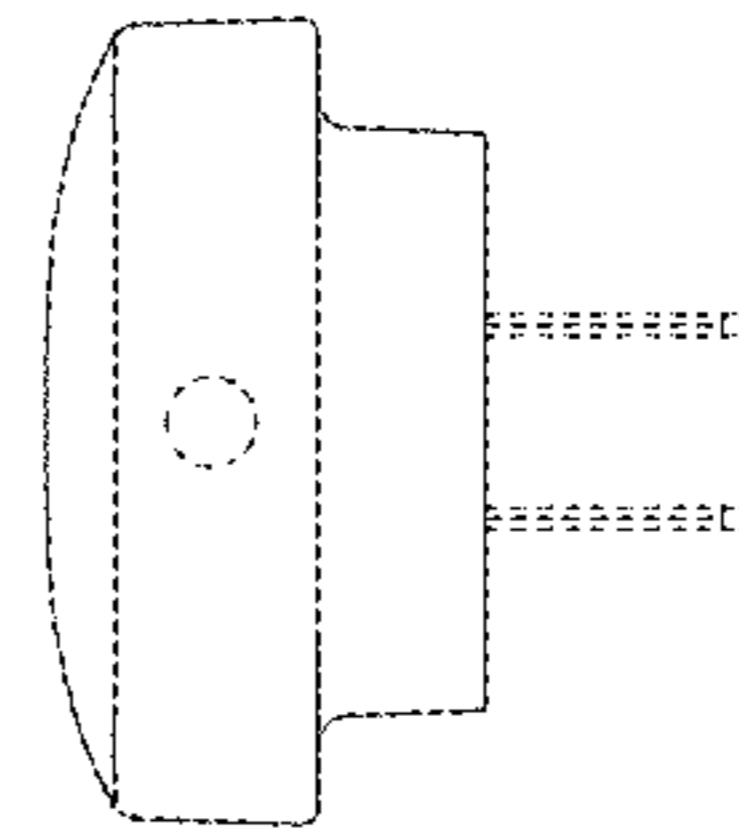


Figure 5

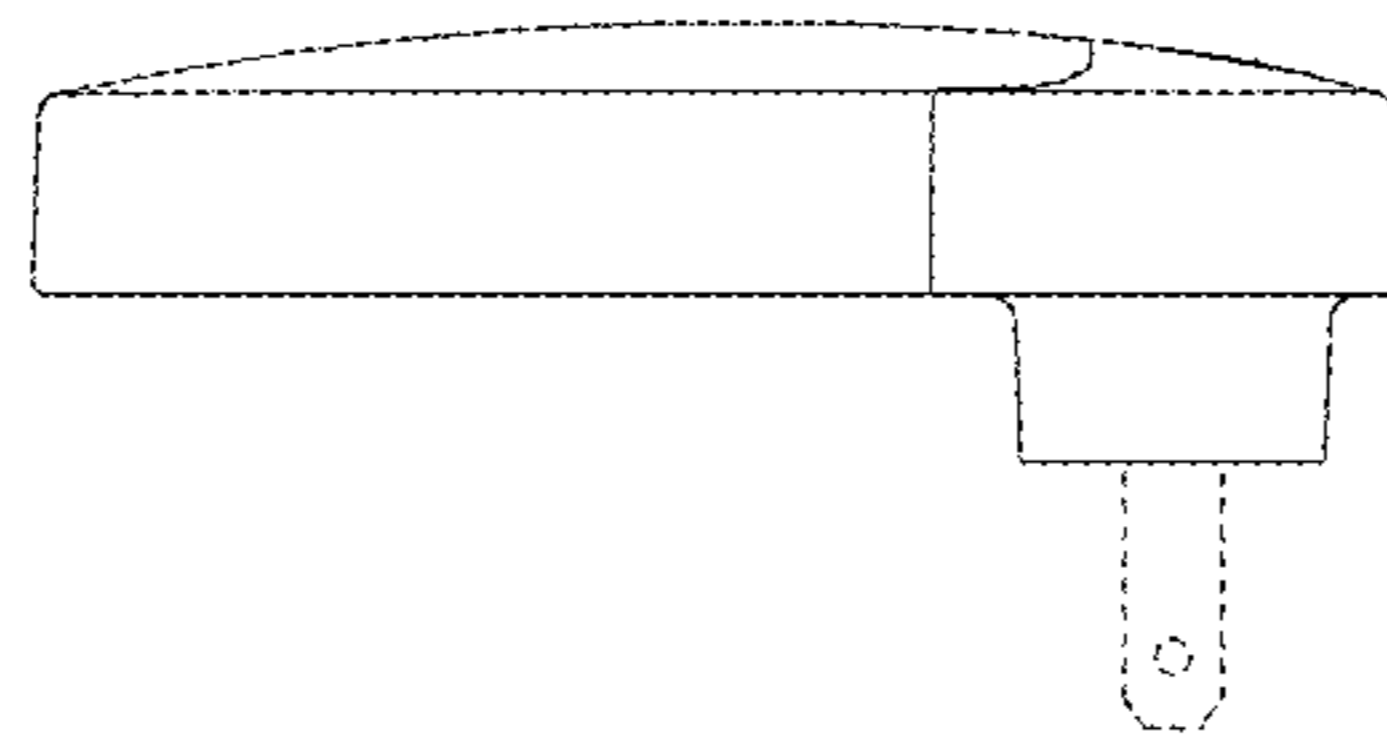


Figure 1