



US00D772436S

(12) **United States Design Patent** (10) **Patent No.:** **US D772,436 S**
Pope (45) **Date of Patent:** **** Nov. 22, 2016**

(54) **THREE WING DIAMOND FOUNDATION**

D612,955 S * 3/2010 Charette D25/133
D744,885 S * 12/2015 Reeder D10/113.2

(71) Applicant: **New Generation Steel Foundations, LLC, Carnegie, PA (US)**

* cited by examiner

(72) Inventor: **Michael M. Pope, Carnegie, PA (US)**

Primary Examiner — Garth Rademaker

(73) Assignee: **New Generation Steel Foundations, LLC, Carnegie, PA (US)**

Assistant Examiner — Samantha Q Lawrence

(74) *Attorney, Agent, or Firm* — H.C. Park & Associates, PLC

(**) Term: **15 Years**

(57) **CLAIM**

The ornamental design for a three wing diamond foundation, as shown and described.

(21) Appl. No.: **29/548,804**

DESCRIPTION

(22) Filed: **Dec. 16, 2015**

Related U.S. Application Data

(63) Continuation-in-part of application No. 14/683,479, filed on Apr. 10, 2015.

FIG. 1 is a front perspective view of a three wing diamond foundation according to an exemplary embodiment of the present invention.

(51) **LOC (10) Cl.** **25-01**

FIG. 2 is a rear perspective view of the three wing diamond foundation of FIG. 1.

(52) **U.S. Cl.**

FIG. 3 is a front view thereof.

USPC **D25/128**

FIG. 4 is a rear view thereof.

(58) **Field of Classification Search**

USPC D25/126–135; 52/25, 29, 51, 167.4, 52/169.8, 169.9, 274

FIG. 5 is a left side view thereof.

FIG. 6 is a right side view thereof.

FIG. 7 is a top plan view thereof.

FIG. 8 is a bottom plan view thereof.

See application file for complete search history.

FIG. 9 is a front perspective view of a three wing diamond foundation according to a second exemplary embodiment of the present invention.

(56) **References Cited**

U.S. PATENT DOCUMENTS

D26,842 S *	3/1897	Hawley	D25/128
D195,831 S *	8/1963	Waldman	D25/128
D218,582 S *	9/1970	Kiester	135/118
D223,400 S *	4/1972	Seldon	D25/127
D224,039 S *	6/1972	Seldon	D25/128
D233,671 S *	11/1974	Gay	D25/126
D382,146 S *	8/1997	Sandy	D25/126
D398,670 S *	9/1998	Crawford	D21/662
D431,659 S *	10/2000	Bouchard	D25/126
D525,721 S *	7/2006	Landes	D25/126
D532,121 S *	11/2006	Watson	D25/133

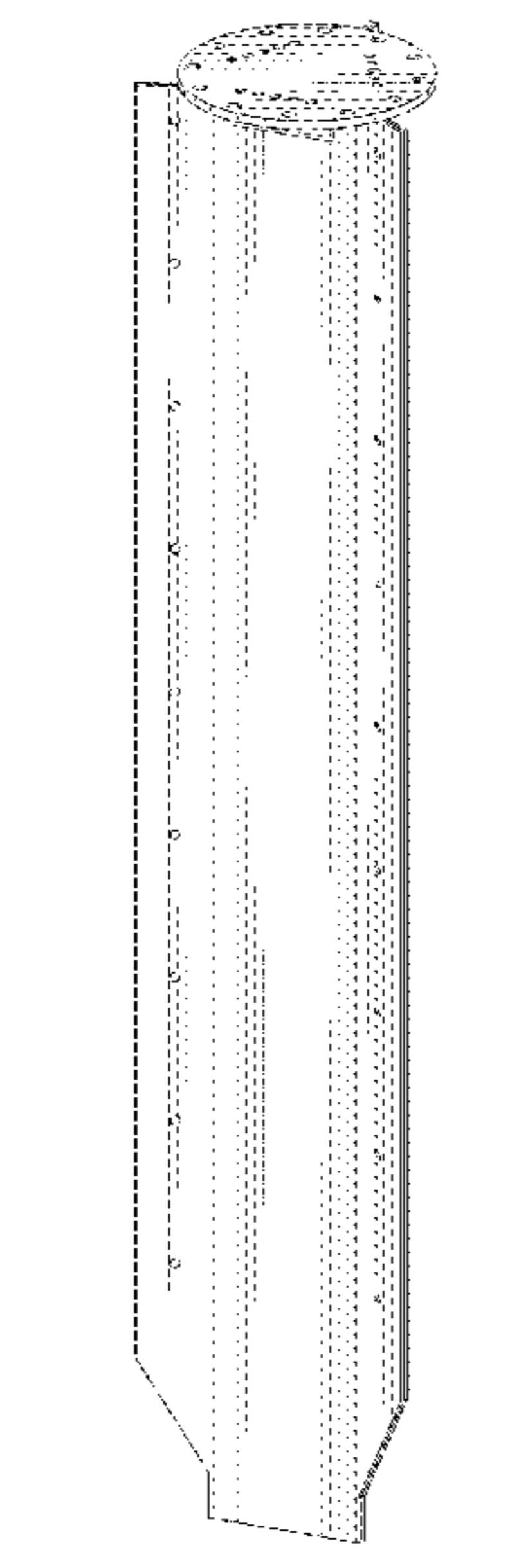
FIG. 10 is a rear perspective view of the three wing diamond foundation of FIG. 9.

FIG. 11 is a front perspective view of a three wing diamond foundation according to a third exemplary embodiment of the present invention; and,

FIG. 12 is a rear perspective view of the three wing diamond foundation of FIG. 11.

The broken lines shown in FIGS. 9-12 illustrate portions of the three wing diamond foundation that form no part of the claimed design.

1 Claim, 6 Drawing Sheets



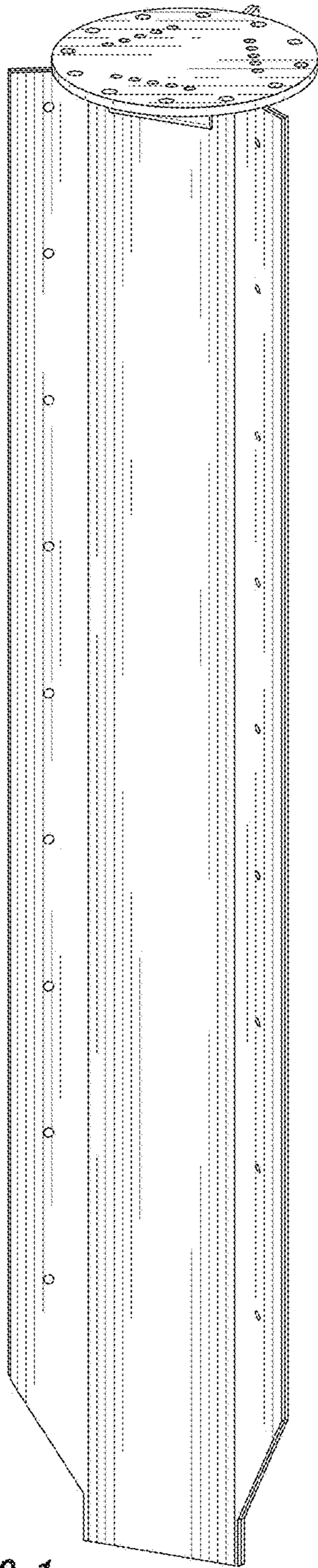


FIG. 1

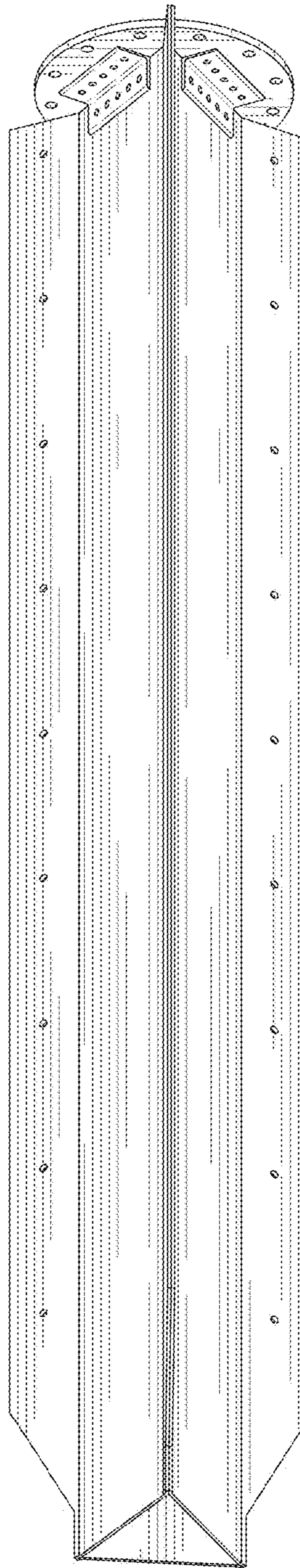


FIG. 2

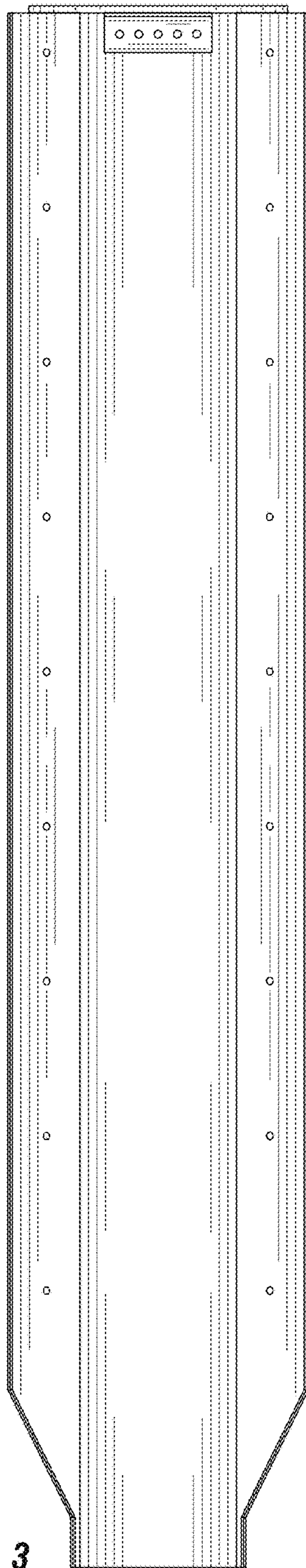


FIG. 3

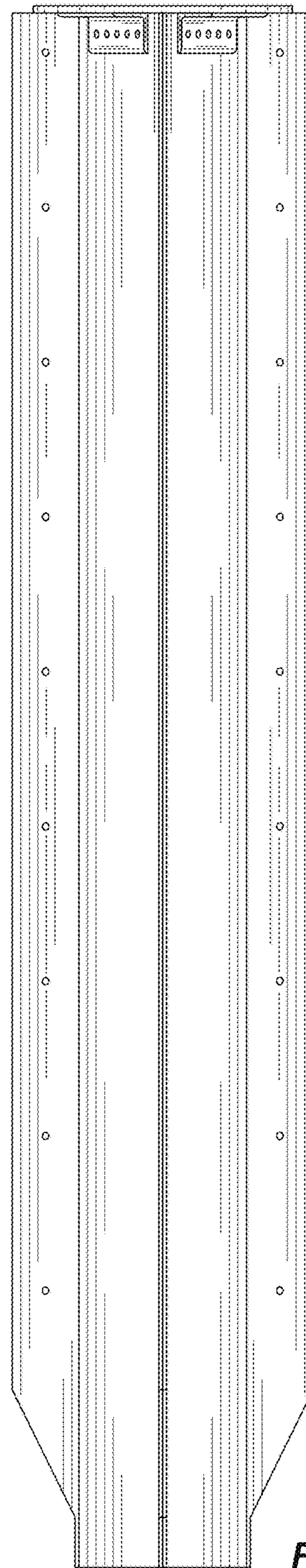


FIG. 4

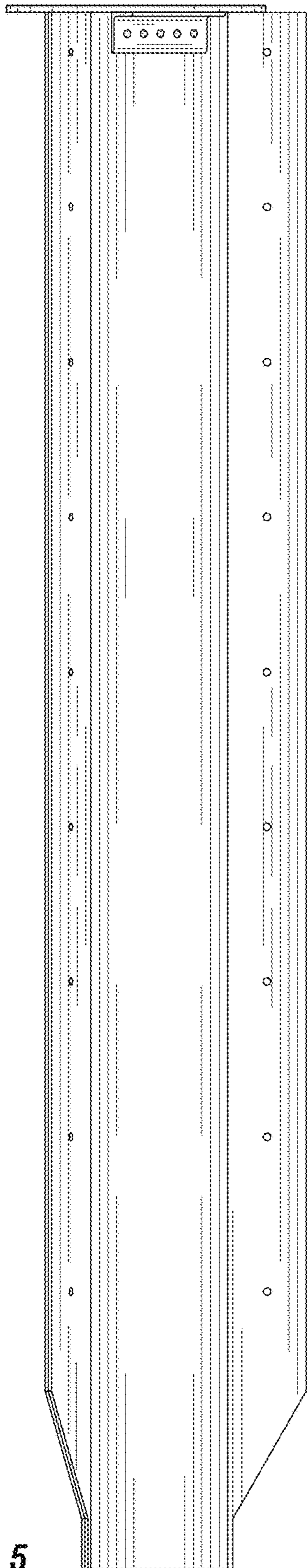


FIG. 5

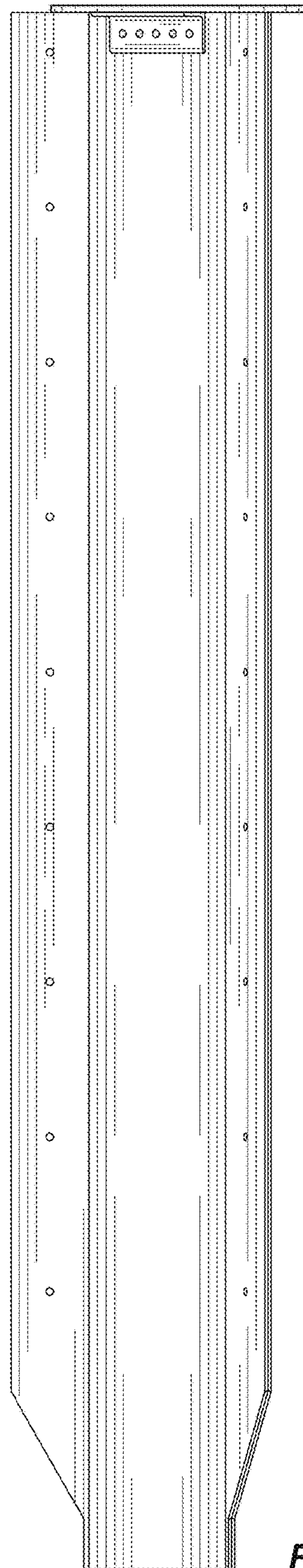


FIG. 6

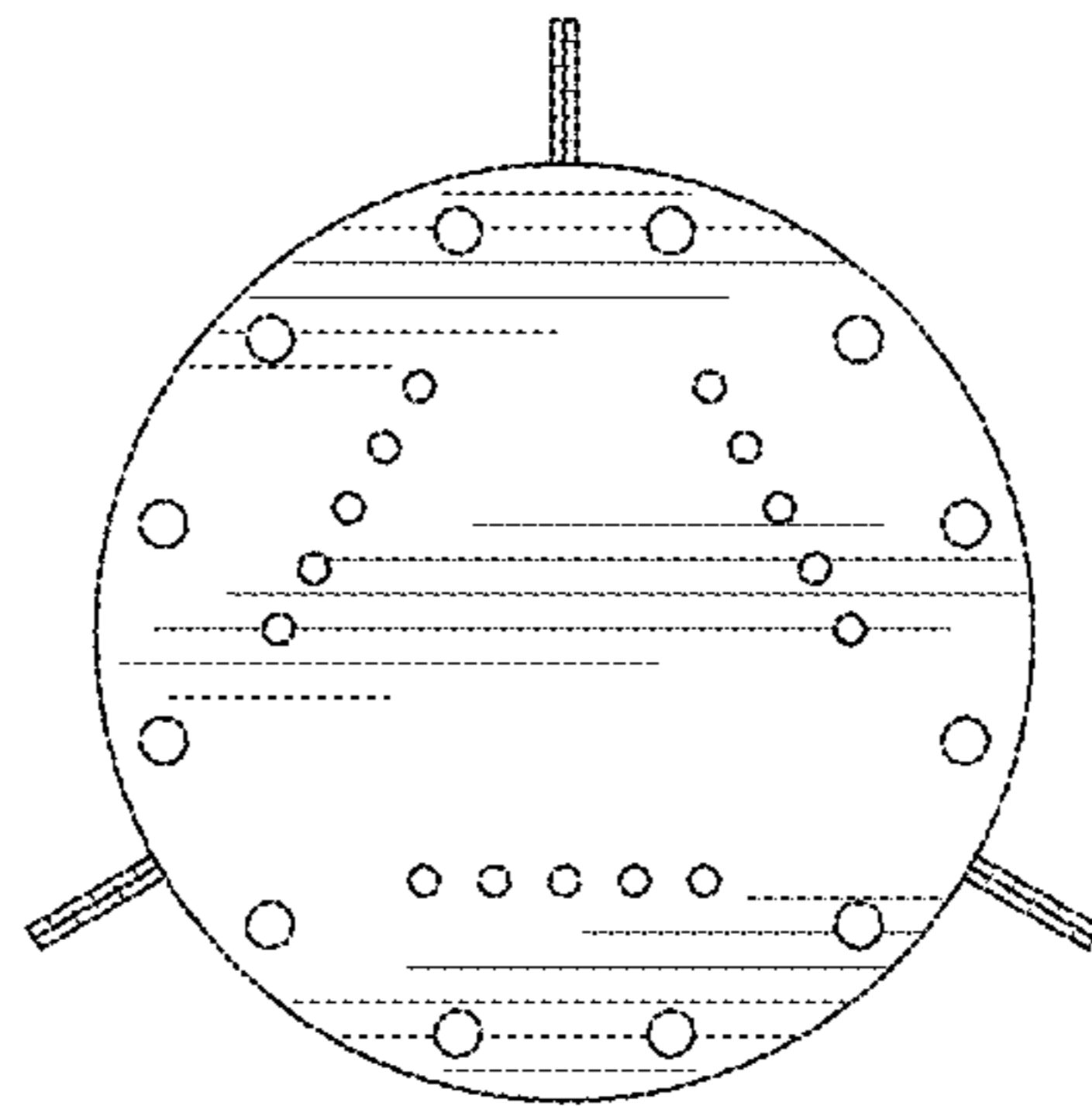


FIG. 7

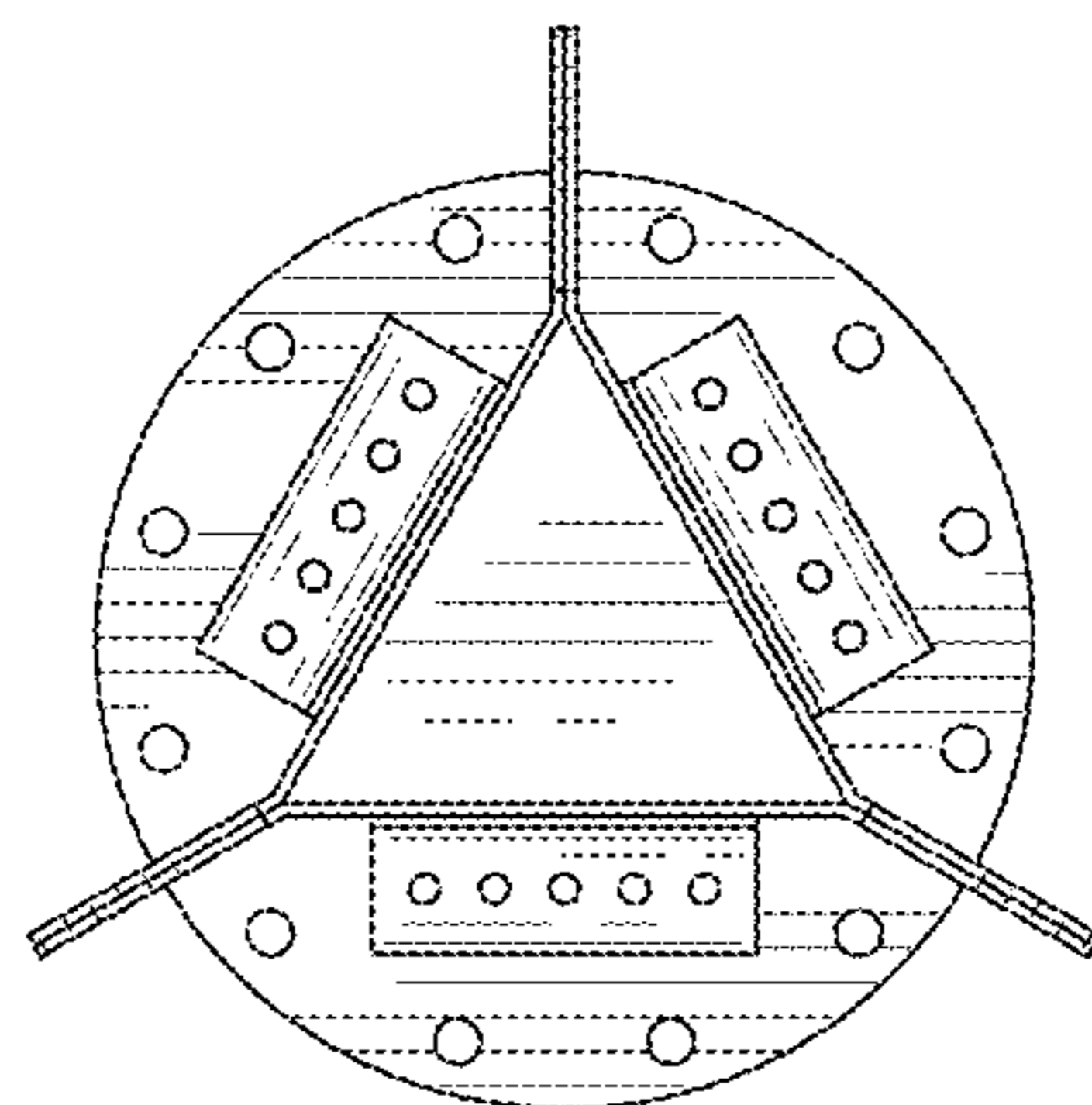


FIG. 8

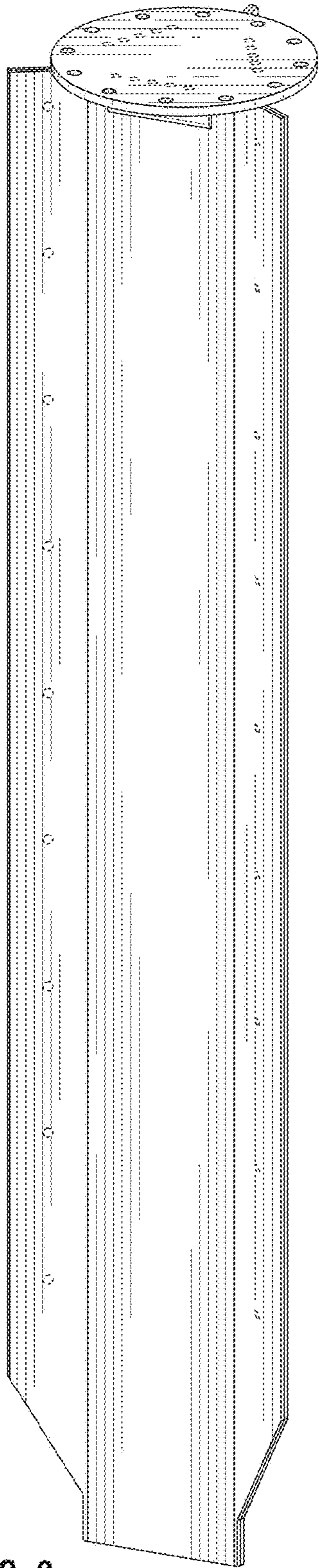


FIG. 9

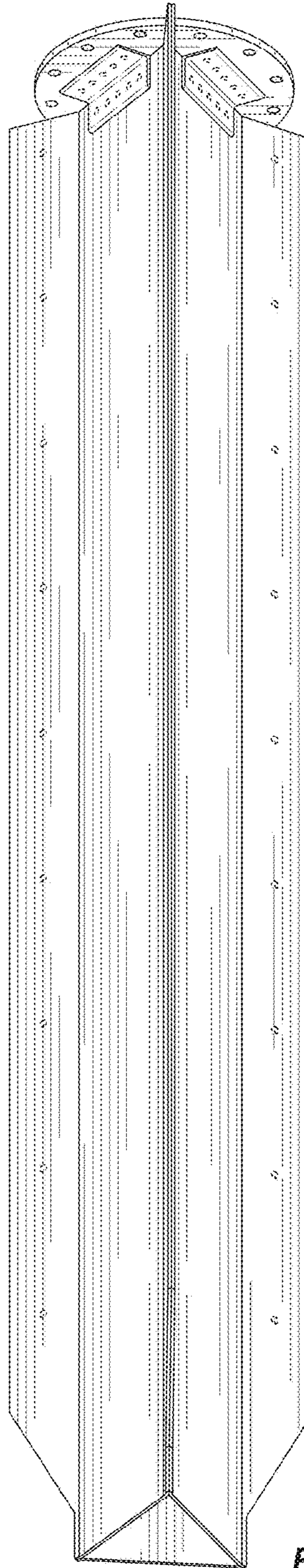


FIG. 10

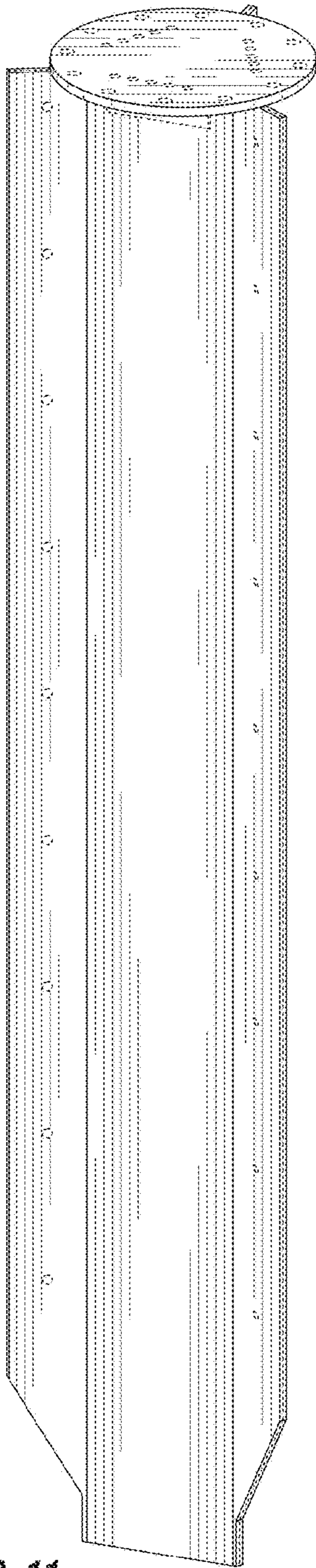


FIG. 11

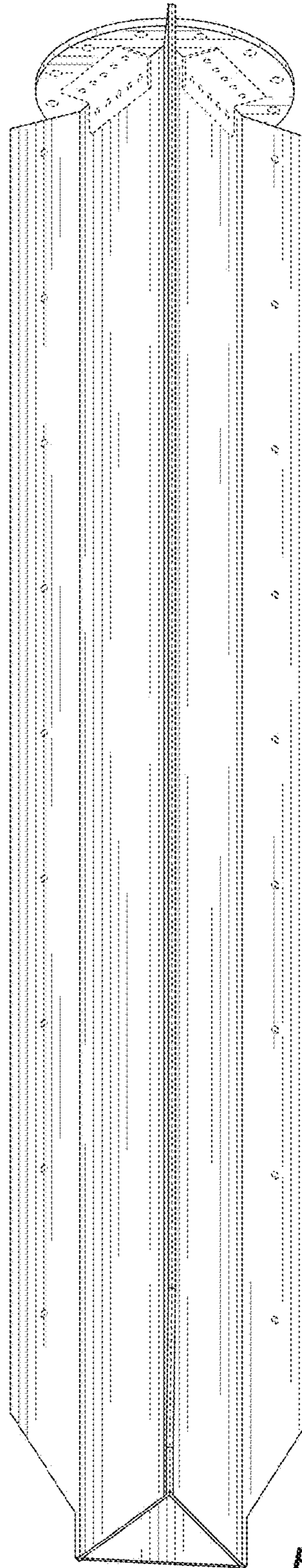


FIG. 12