



US00D772435S

(12) **United States Design Patent**  
**Bonuccelli**

(10) **Patent No.:** **US D772,435 S**

(45) **Date of Patent:** **\*\* Nov. 22, 2016**

(54) **EXTRUSION FOR FRAMES**

(71) Applicant: **UNIFOR S.p.A.**, Turate (Como) (IT)

(72) Inventor: **Dante Bonuccelli**, Turate (IT)

(73) Assignee: **UNIFOR S.p.A.**, Turate (Como) (IT)

(\*\*) Term: **14 Years**

(21) Appl. No.: **29/516,203**

(22) Filed: **Jan. 30, 2015**

(30) **Foreign Application Priority Data**

Aug. 1, 2014 (EM) ..... 002513754-0002

(51) **LOC (10) Cl.** ..... **25-01**

(52) **U.S. Cl.**  
USPC ..... **D25/122**

(58) **Field of Classification Search**  
USPC ..... D25/38.1, 39, 40, 41.1, 43, 44, 55, 102,  
D25/117, 119-124, 126, 133, 136, 138, 141,  
D25/148, 160, 164; D20/42, 43, 44;  
D6/329, 675.2, 675.4, 675.5, 702,  
D6/709.2, 709.21, 711.1, 712, 831, 843;  
D8/395, 396; D34/35; 52/86, 88, 272,  
52/273, 285.3, 287.1, 831, 843;  
160/45-46, 48, 65, 66, 239, 240, 353,  
160/354, 368.1, 369, 371-372, 377  
CPC .. E06B 3/5454; E06B 3/66366; E06B 3/667;  
E06B 2003/66395; E06B 2003/6258  
See application file for complete search history.

(56) **References Cited**

**U.S. PATENT DOCUMENTS**

D301,173 S \* 5/1989 Dallaire ..... D25/124  
D372,546 S \* 8/1996 Pelosi ..... D25/138

D375,270 S \* 11/1996 Nagai ..... D10/85  
D511,216 S \* 11/2005 Folliard ..... D25/119  
D529,201 S \* 9/2006 Mann ..... D25/164  
D535,036 S \* 1/2007 Mann ..... D25/164  
D547,465 S \* 7/2007 Mann ..... D25/164  
D549,850 S \* 8/2007 Perlman ..... D25/119  
D563,568 S \* 3/2008 Dunlap ..... D25/119  
D570,501 S \* 6/2008 Janesz ..... D25/119  
D745,902 S \* 12/2015 Choi ..... D15/89  
D747,370 S \* 1/2016 Kim ..... D15/89  
D754,219 S \* 4/2016 Lee ..... D15/89

\* cited by examiner

*Primary Examiner* — Cynthia Ramirez

*Assistant Examiner* — Llorellys Martinez-Rivera

(74) *Attorney, Agent, or Firm* — Thomas | Horstemeyer,  
LLP

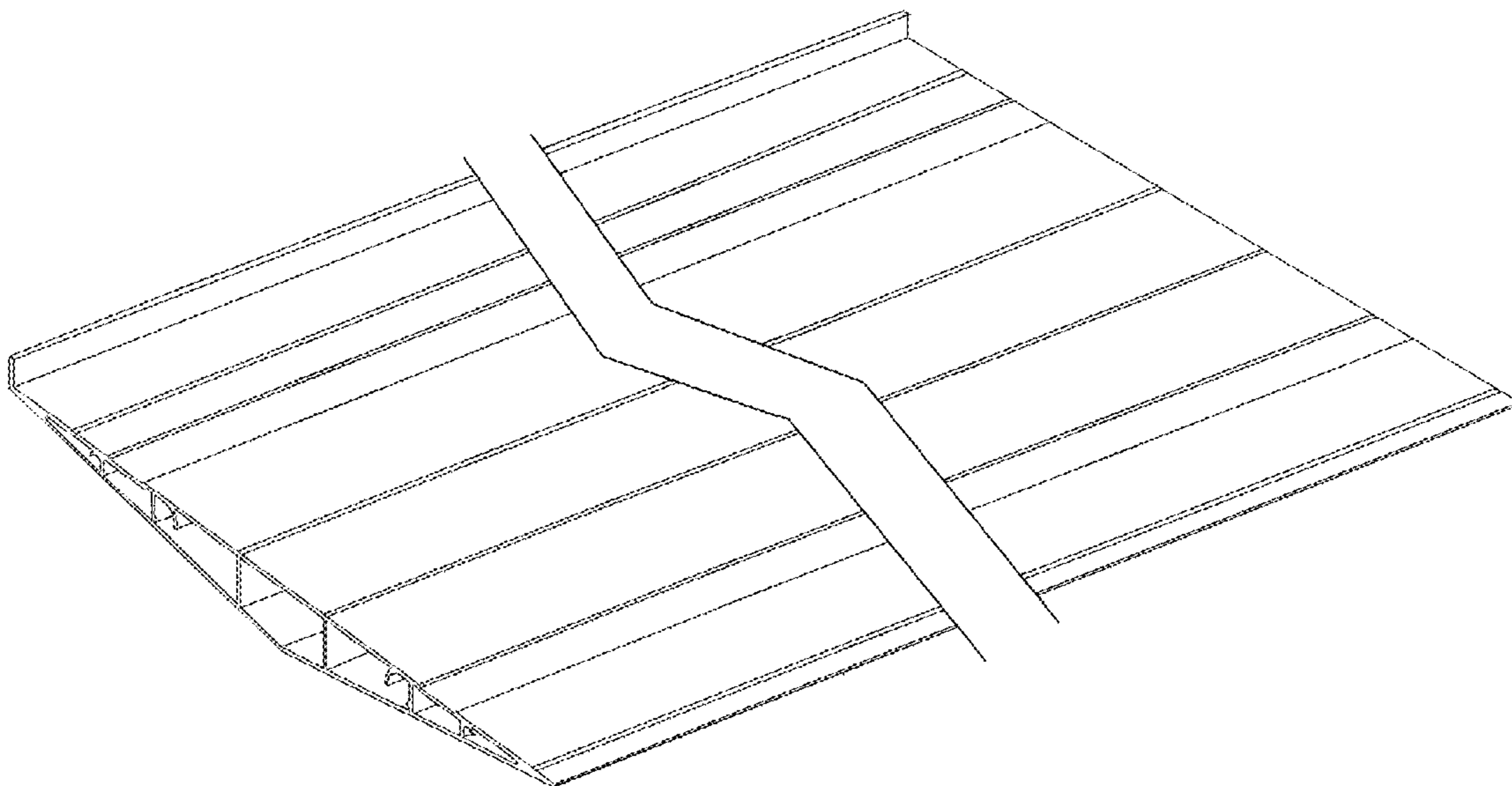
(57) **CLAIM**

The ornamental design for an extrusion for frames, as shown and described.

**DESCRIPTION**

FIG. 1 is a perspective view of an extrusion for frames showing my new design;  
FIG. 2 is a front elevation view thereof;  
FIG. 3 is a rear elevation view thereof;  
FIG. 4 is a side elevation view thereof;  
FIG. 5 is an opposite side elevation view thereof;  
FIG. 6 is a top plan view thereof; and,  
FIG. 7 is a bottom plan view thereof.  
The extrusion for frames is shown with a symbolic break in its length. The appearance of any portion of the extrusion for frames between the break lines forms no part of the claimed design.

**1 Claim, 7 Drawing Sheets**



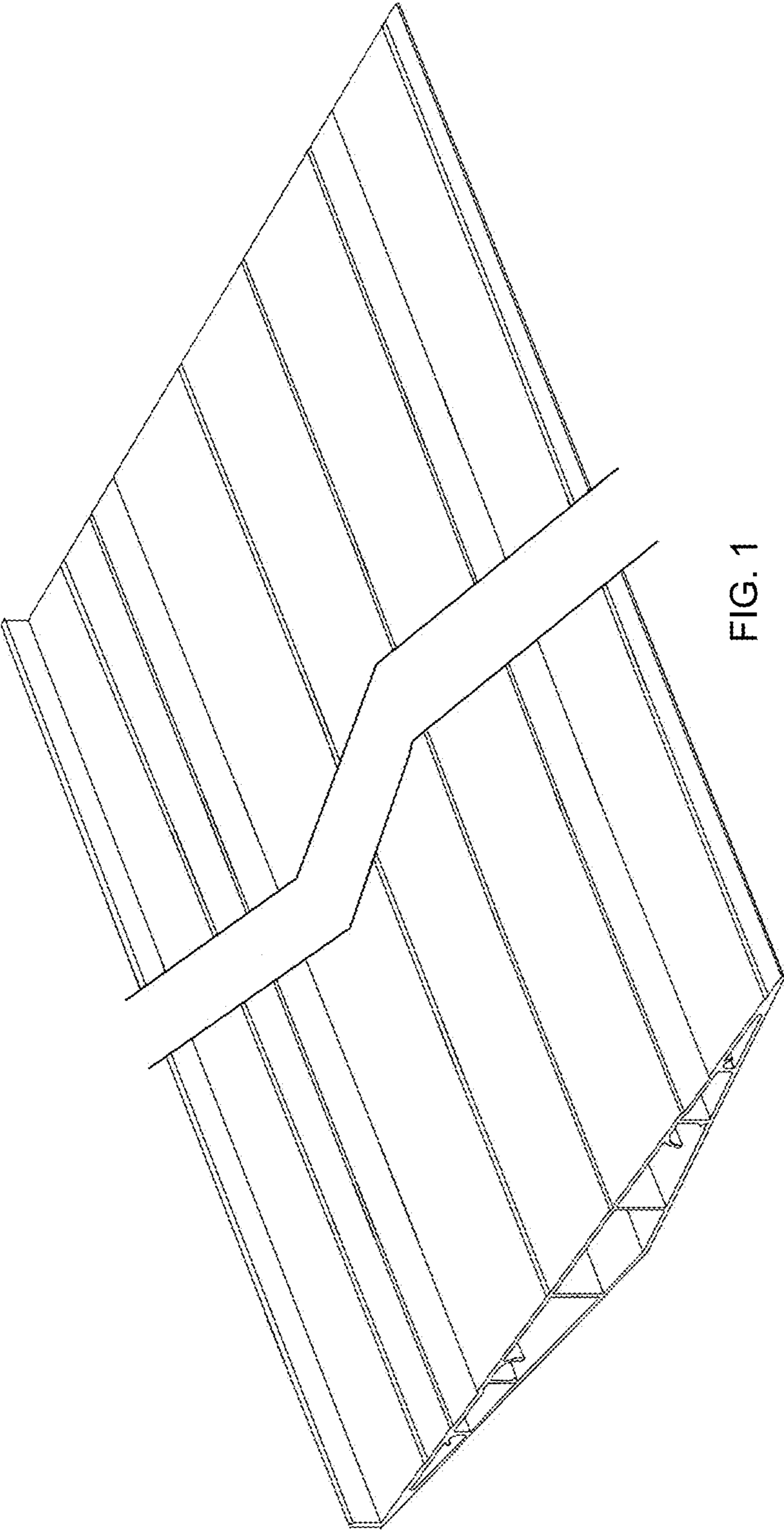


FIG. 1

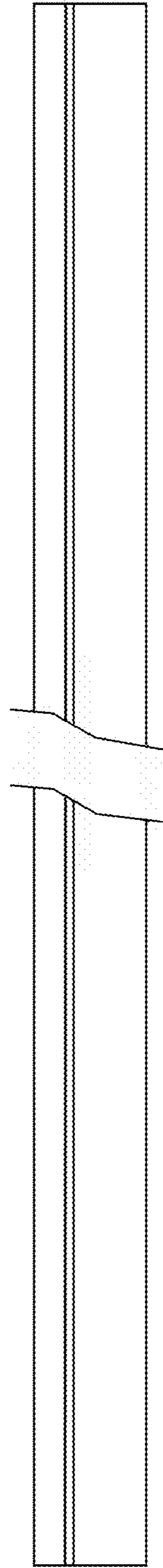


FIG. 2



FIG. 3



FIG. 4



FIG. 5



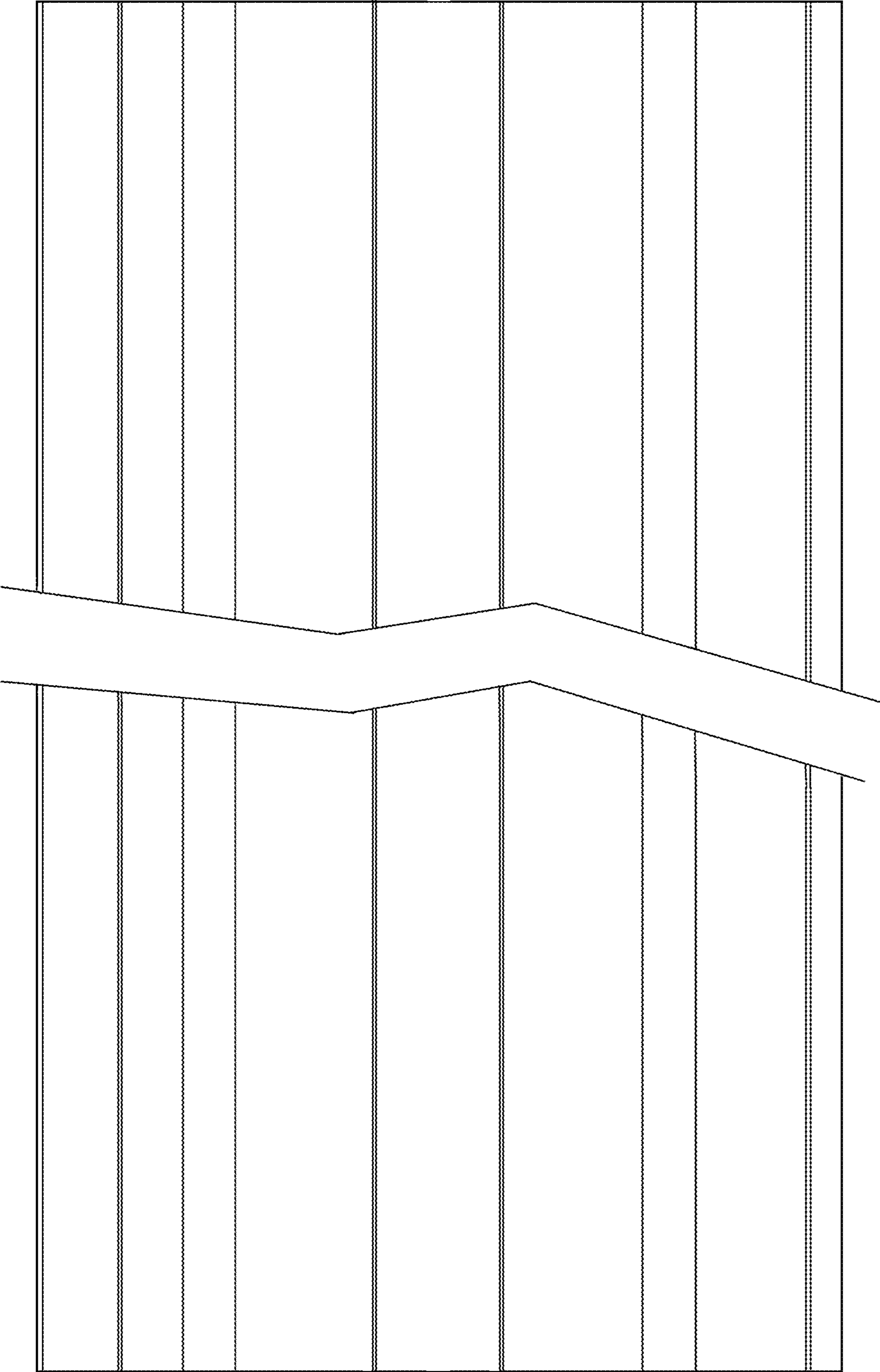


FIG. 6

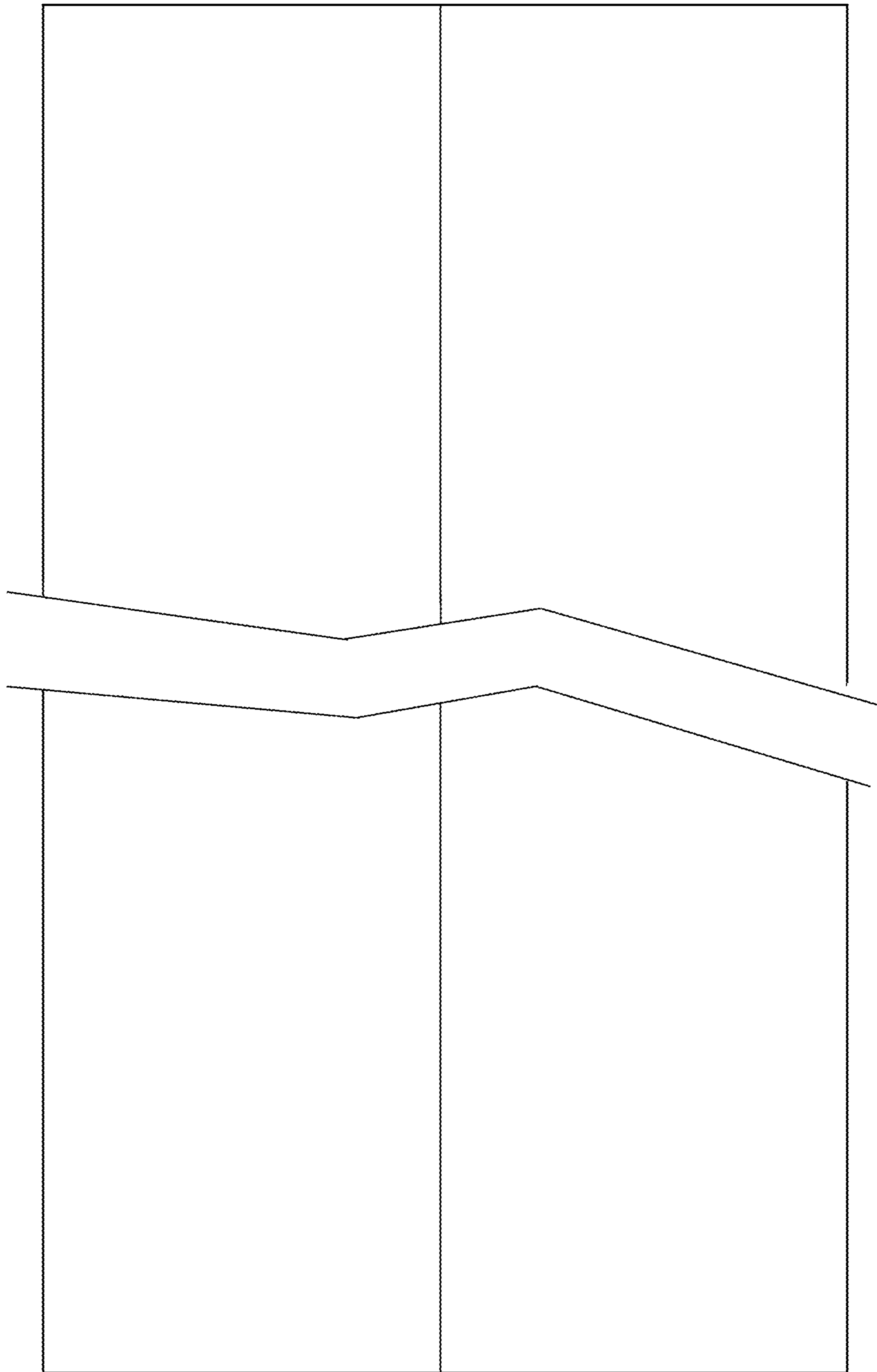


FIG. 7