



US00D772434S

(12) **United States Design Patent**
Meske

(10) **Patent No.:** **US D772,434 S**

(45) **Date of Patent:** **** Nov. 22, 2016**

- (54) **ARCHITECTURAL ACCENT**
- (71) Applicant: **Robert Meske**, Whitmore Lake, MI (US)
- (72) Inventor: **Robert Meske**, Whitmore Lake, MI (US)
- (**) Term: **14 Years**
- (21) Appl. No.: **29/503,275**
- (22) Filed: **Sep. 24, 2014**
- (51) **LOC (10) Cl.** **25-01**
- (52) **U.S. Cl.**
USPC **D25/121**
- (58) **Field of Classification Search**
USPC D25/38.1, 39, 40, 41.1, 43, 44, 55, 102, D25/117, 119-124, 126, 133, 136, 138, 141, D25/148, 164; D20/42, 43, 44; D34/35; D8/395, 396; 52/86, 88, 272, 273, 52/285.3, 287.1
CPC E04F 13/06; E04F 13/0733; E04F 13/26; E04F 2013/061; E04F 2013/063; E04F 2013/065
See application file for complete search history.

(56) **References Cited**

U.S. PATENT DOCUMENTS

- 3,330,080 A * 7/1967 Grieb E04B 7/08 D25/119
- D208,294 S * 8/1967 Dallaire D25/119
- 3,524,477 A 8/1970 Steger, Jr.
- D249,965 S 10/1978 Cooper
- 4,193,239 A * 3/1980 Barto E04B 2/72 D25/119
- 4,534,147 A 8/1985 Cristell
- 5,179,811 A 1/1993 Walker et al.
- D358,671 S 5/1995 Hallsten
- D364,028 S * 11/1995 Rouleau D34/35
- D368,781 S * 4/1996 Custance D25/122
- 5,711,123 A 1/1998 Lamont et al.
- D395,456 S * 6/1998 Ito D20/42
- 5,802,790 A * 9/1998 Lamont E04F 19/0436 52/272
- 5,819,485 A * 10/1998 Lane E04F 19/0436 52/287.1

- 6,240,693 B1 6/2001 Komasara et al.
- 6,311,442 B1 * 11/2001 Watanabe E04B 2/707 52/272
- 6,385,939 B1 * 5/2002 Stout G09F 15/0025 52/287.1
- 6,438,914 B1 * 8/2002 Robertson E04F 13/06 52/287.1
- D469,473 S * 1/2003 Cobb D20/43
- D472,333 S * 3/2003 Shaw D25/121
- D562,993 S * 2/2008 Shepherd D25/141
- D564,105 S 3/2008 Amato
- 7,370,453 B2 5/2008 Puzio
- D601,274 S * 9/2009 Koenig, Jr. D25/164
- D652,955 S * 1/2012 Budzik D25/121
- 8,245,467 B2 * 8/2012 Lewis B64D 11/00 52/287.1

8,549,791 B1 10/2013 Loughren et al.

(Continued)

FOREIGN PATENT DOCUMENTS

- GB 2191518 A 12/1987
- WO WO-2014064659 A1 5/2014

Primary Examiner — Cynthia Ramirez
Assistant Examiner — Llorellys Martinez-Rivera
(74) *Attorney, Agent, or Firm* — Marshall, Gerstein & Borun LLP

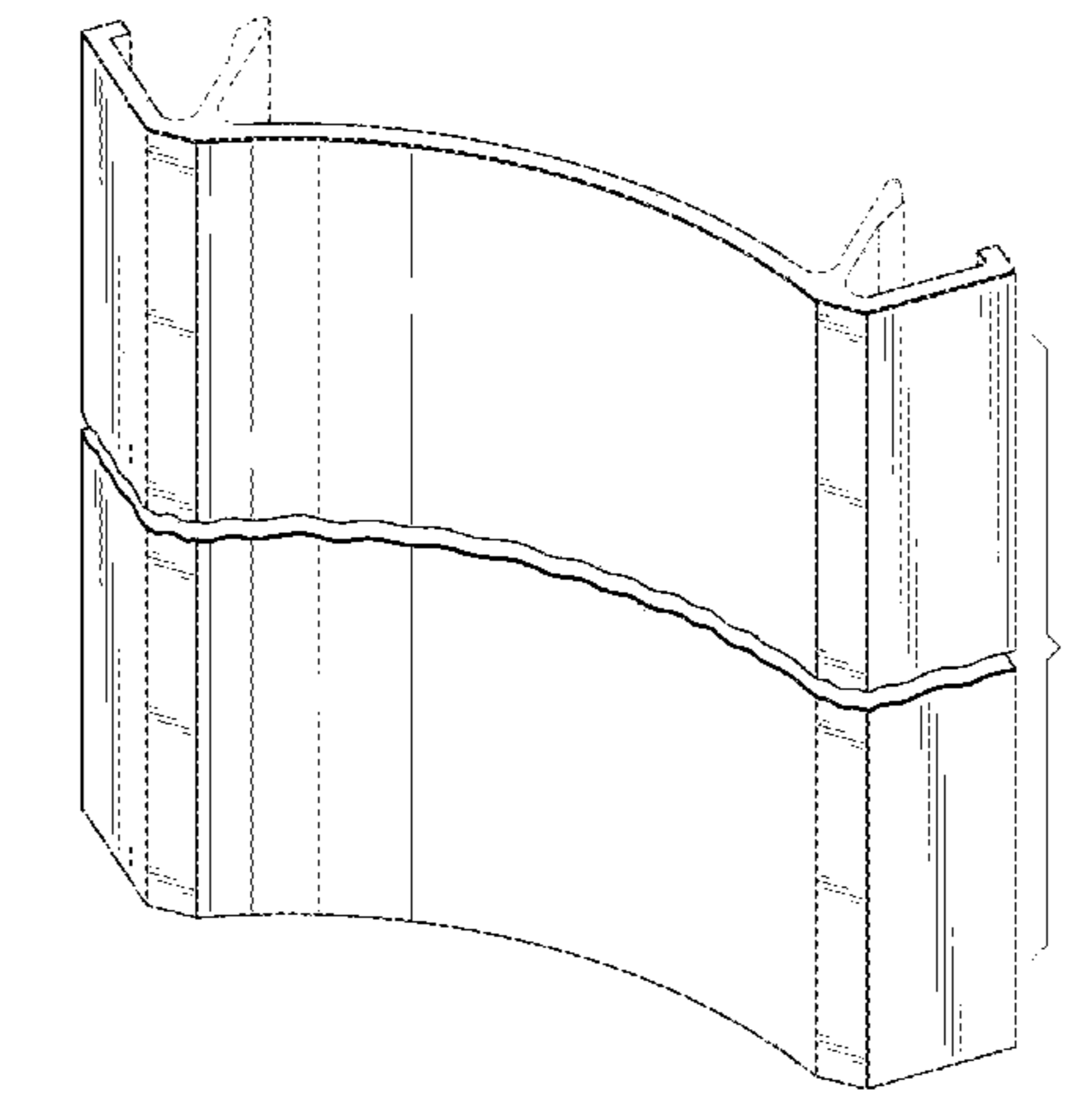
(57) **CLAIM**

The ornamental design for an architectural accent, as shown and described.

DESCRIPTION

FIG. 1 is a perspective view of an architectural accent showing my new design;
FIG. 2 is a top view thereof;
FIG. 3 is a front view thereof;
FIG. 4 is an elevation view thereof, taken along lines 4-4 of FIG. 2; and,
FIG. 5 is a rear view thereof.
The architectural accent is shown with a symbolic break in its length. The appearance of any portion of the architecture accent between the break lines forms no part of the claimed design.
The broken lines shown in FIGS. 10, 11 and 14 illustrate portions of the architectural accent that form no part of the claimed design.

1 Claim, 3 Drawing Sheets



US D772,434 S

Page 2

(56)

References Cited

U.S. PATENT DOCUMENTS

D730,276 S	5/2015	Wang			
D752,776 S *	3/2016	O'Neal	D25/141		
D759,758 S *	6/2016	Garfinkle	D20/43	* cited by examiner	
					2005/0193639 A1 9/2005 Knudson et al.
					2010/0242388 A1 9/2010 DePaul
					2015/0284963 A1* 10/2015 Fisher B61D 1/00
					52/287.1

Fig. 1

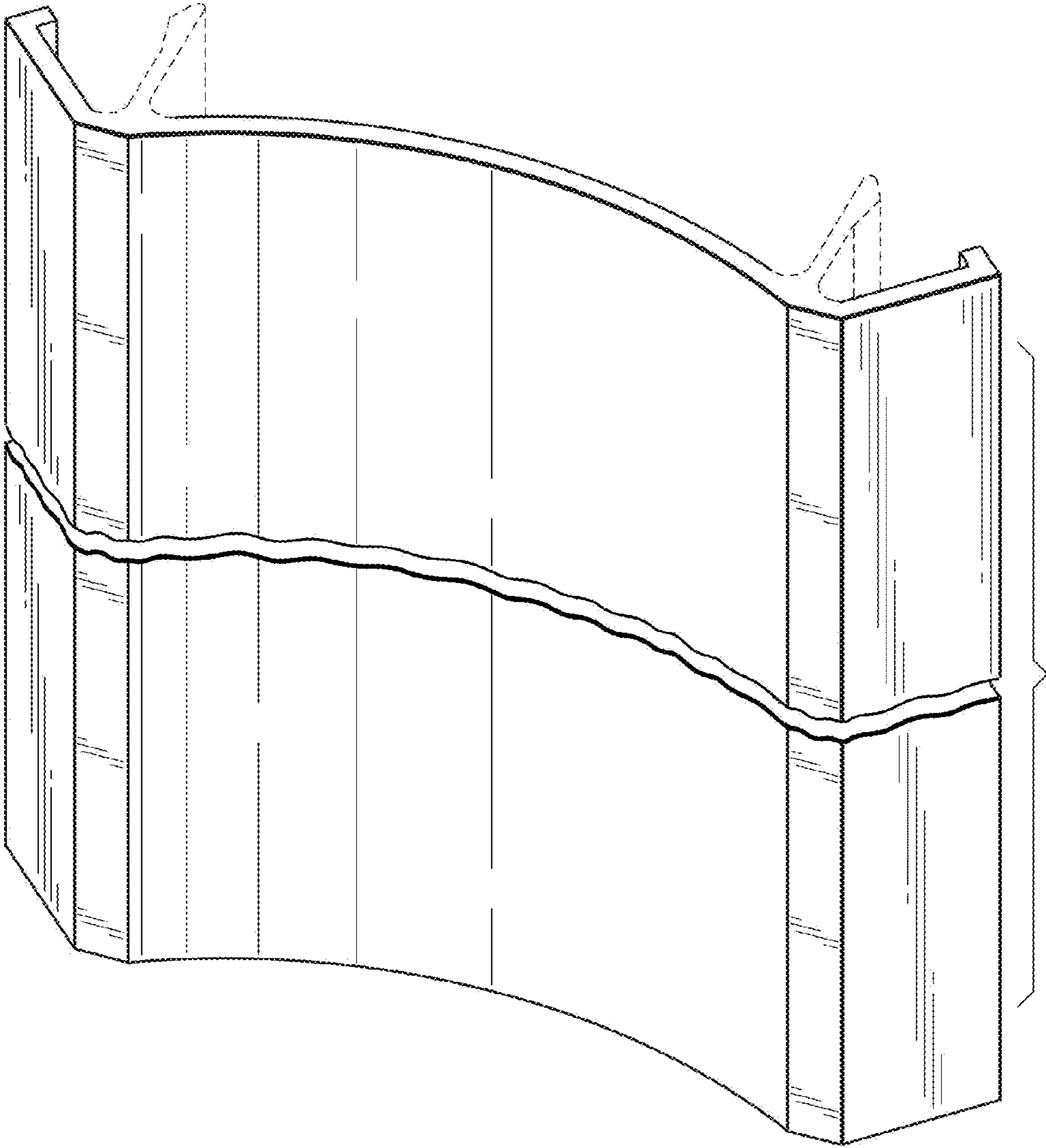


Fig. 2

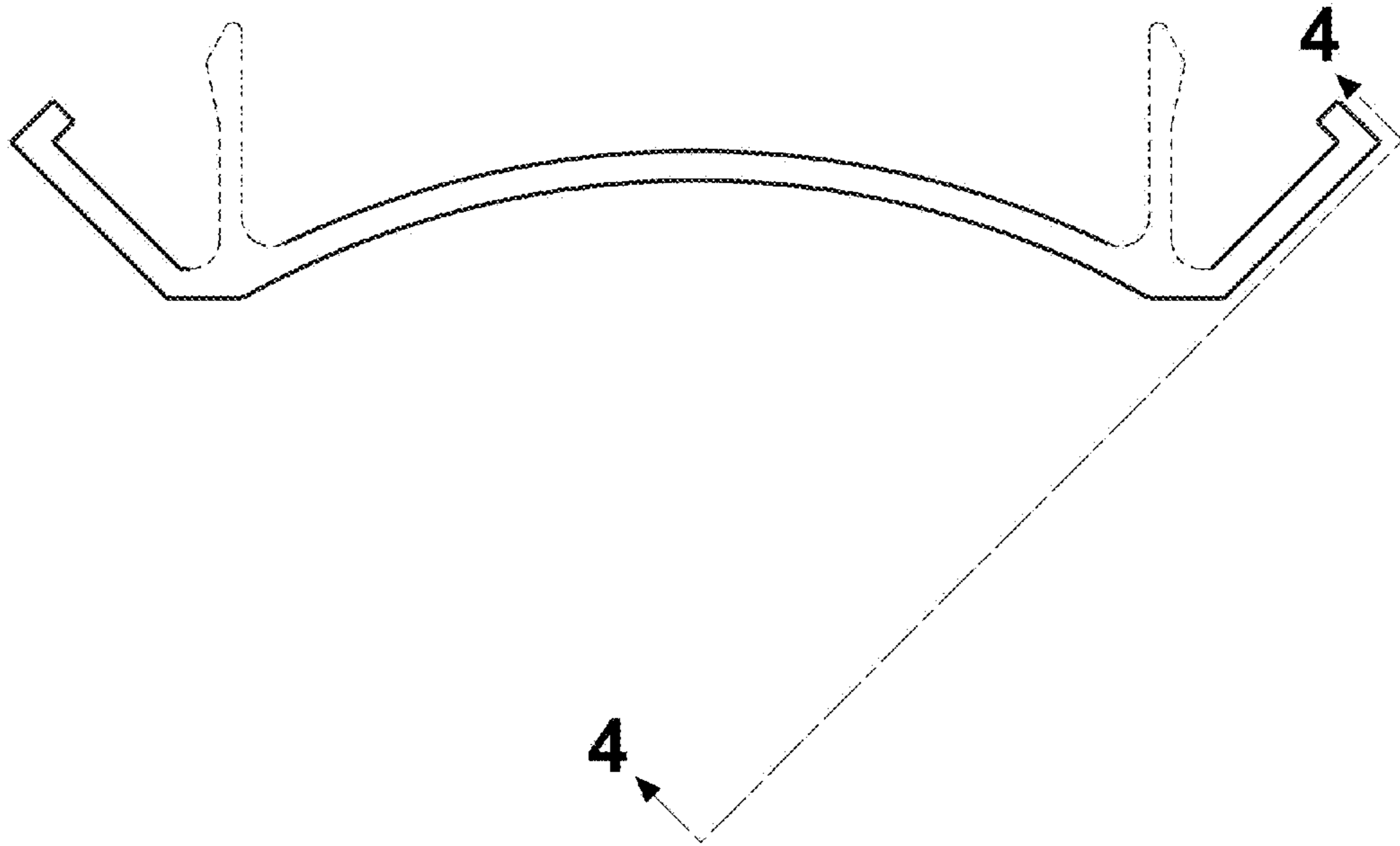


Fig. 3

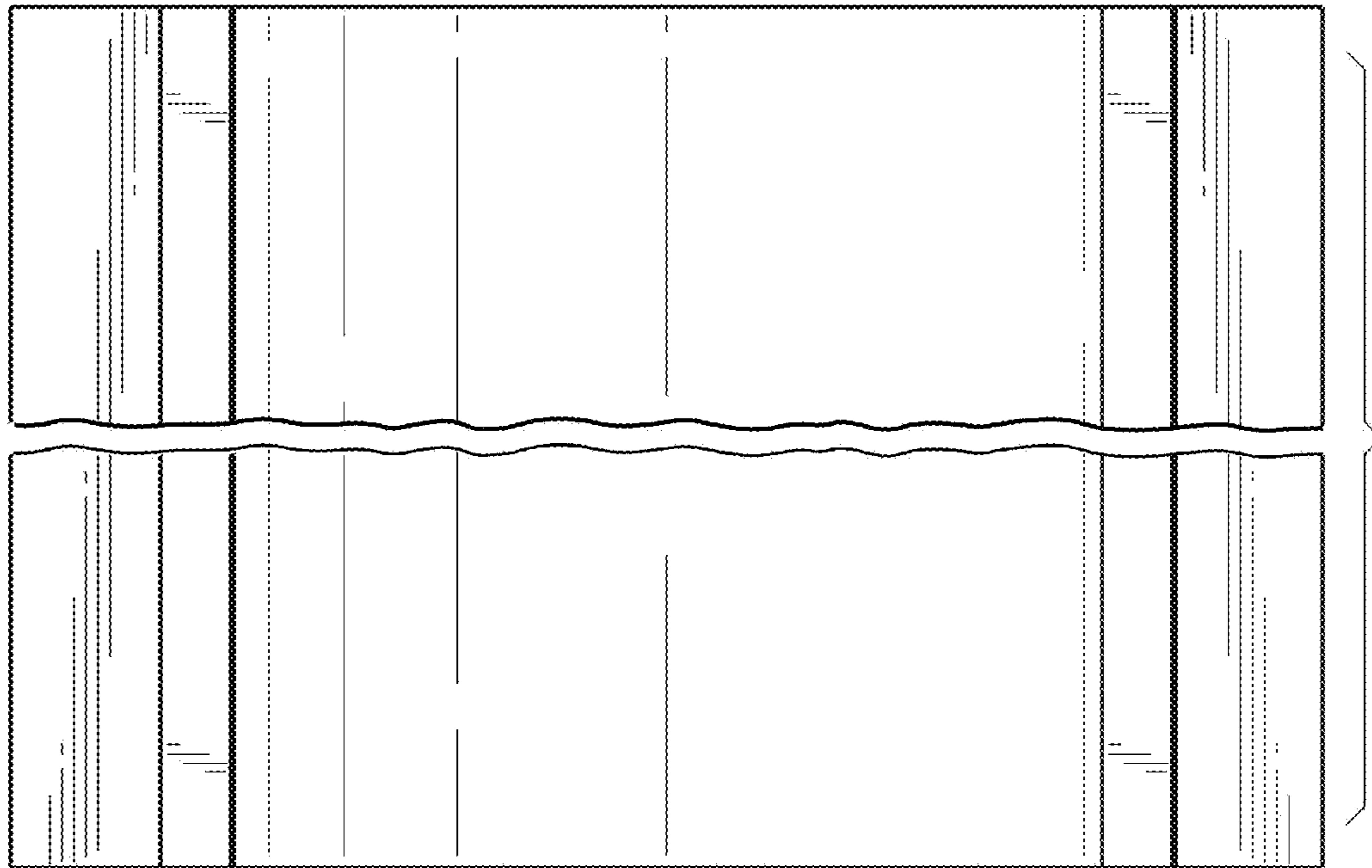


Fig. 4

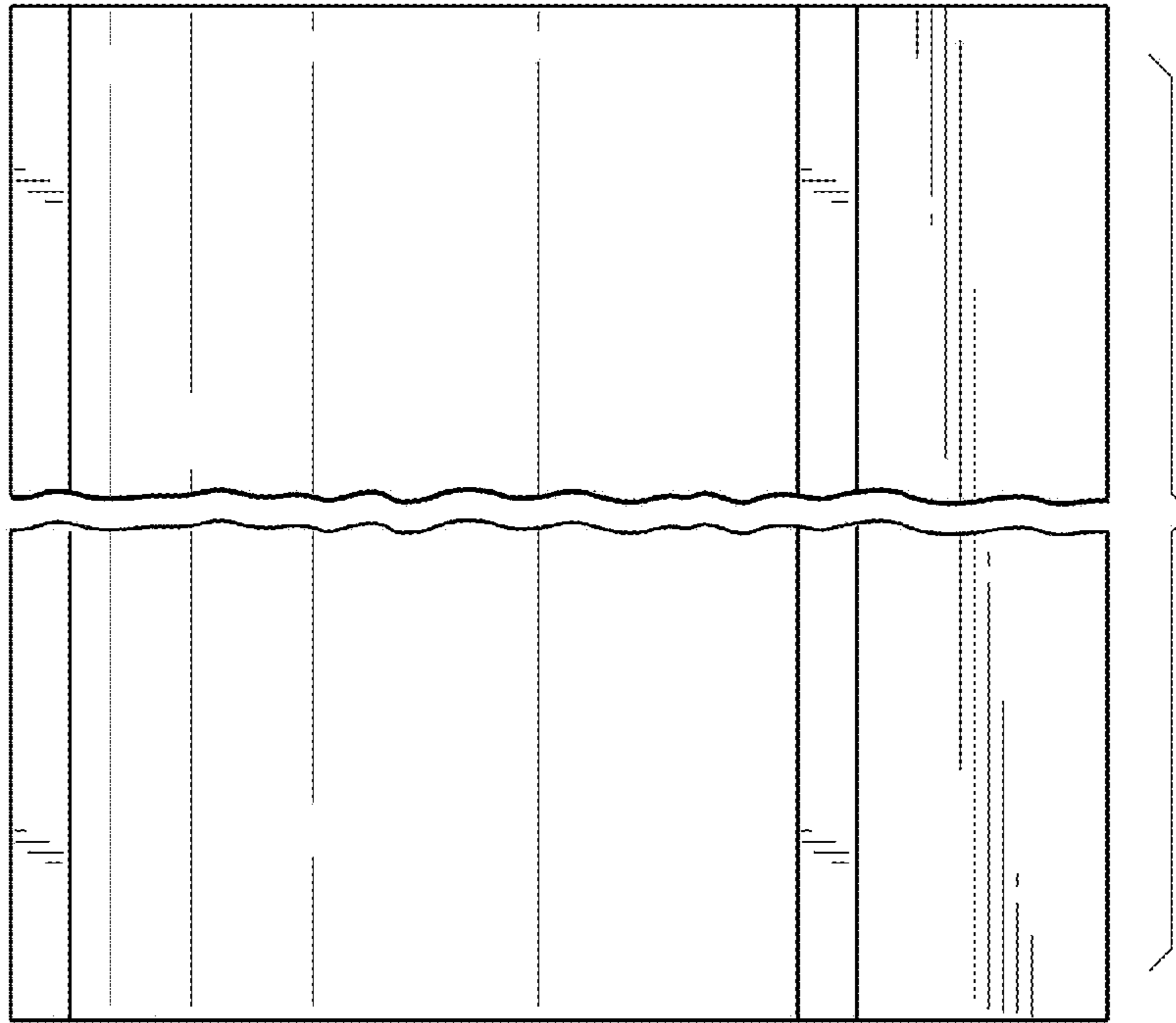


Fig. 5

