



US00D772433S

(12) **United States Design Patent** (10) **Patent No.:** **US D772,433 S**
Krause (45) **Date of Patent:** **** Nov. 22, 2016**

(54) **BRACKET MEMBER FOR EXTERIOR CLADDING SYSTEMS**

(71) Applicant: **G Matt Krause**, Allegan, MI (US)

(72) Inventor: **G Matt Krause**, Allegan, MI (US)

(73) Assignee: **Advanced Architectural Products, LLC**, Allegan, MI (US)

(**) Term: **15 Years**

(21) Appl. No.: **29/529,688**

(22) Filed: **Jun. 9, 2015**

Related U.S. Application Data

(63) Continuation-in-part of application No. 14/281,949, filed on May 20, 2014, now Pat. No. 9,151,052, which is a continuation-in-part of application No. 13/763,915, filed on Feb. 11, 2013, now Pat. No. 8,833,025, which is a continuation-in-part of application No. 12/984,051, filed on Jan. 4, 2011, now Pat. No. 8,826,620, said application No. 14/281,949.

(51) **LOC (10) Cl.** **25-01**

(52) **U.S. Cl.**
USPC **D25/119**

(58) **Field of Classification Search**
USPC D25/119-125, 60; D20/42, 43, 44
CPC E06B 1/36; E06B 2203/26321; E06B 3/26345; E06B 1/702; E06B 1/366; E06B 1/04; E06B 1/28; E06B 1/30
See application file for complete search history.

(56) **References Cited**

U.S. PATENT DOCUMENTS

D283,353 S * 4/1986 Bancroft D25/119
D736,954 S * 8/2015 Krause D25/119
9,187,946 B2 * 11/2015 Krause E06B 1/62

* cited by examiner

Primary Examiner — Daniel Bui

Assistant Examiner — Gino Colan

(74) *Attorney, Agent, or Firm* — The Watson I.P. Group, PLC; Jovan N. Jovanovic; Vladan M. Vasiljevic

(57) **CLAIM**

The ornamental design for a bracket member for exterior cladding systems, as shown and described.

DESCRIPTION

FIG. 1 of the drawings is a perspective view of the bracket member for exterior cladding systems, showing my new design;

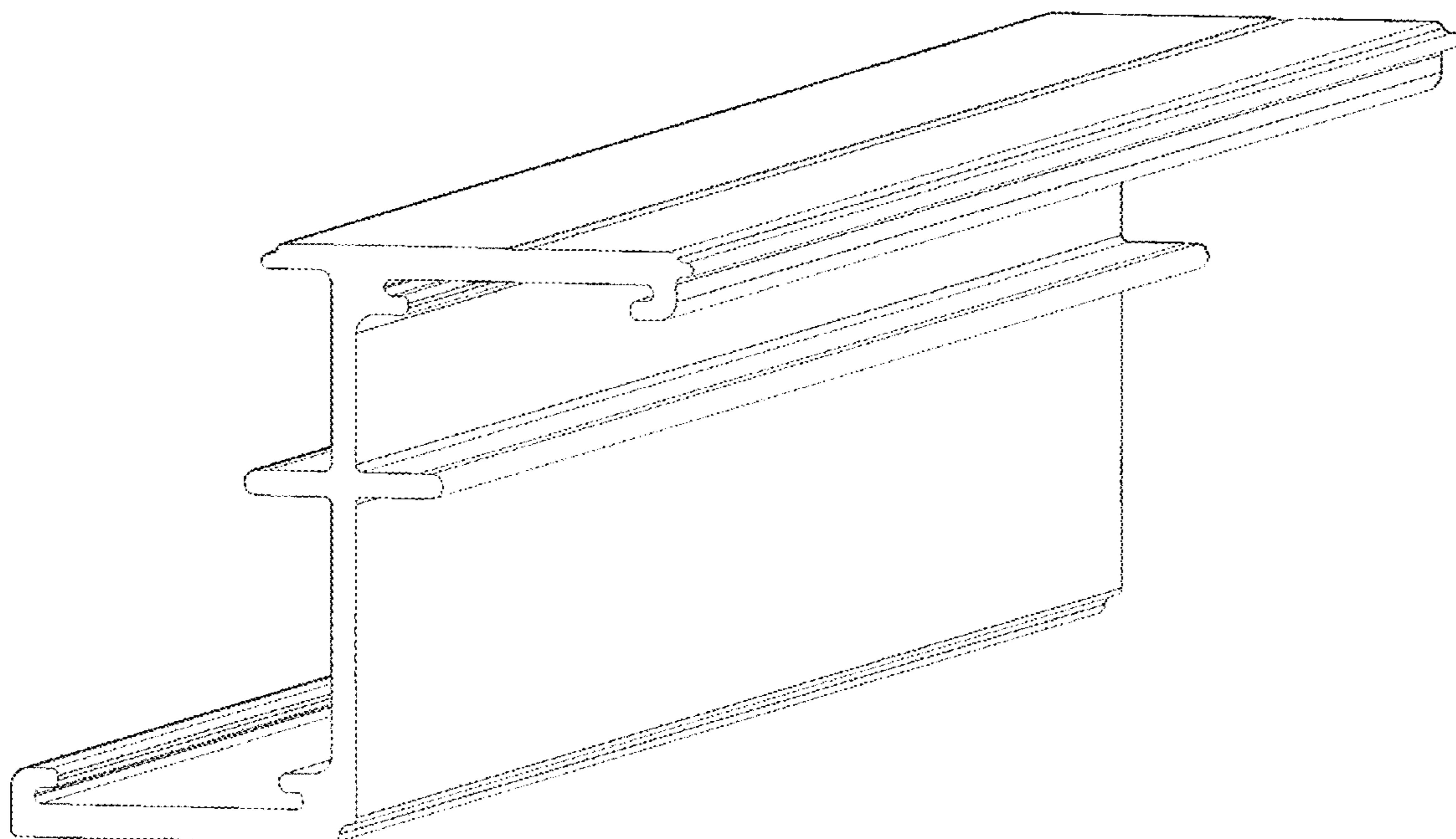
FIG. 2 of the drawings is a front elevational view thereof; FIG. 3 of the drawings is a right side elevational view thereof;

FIG. 4 of the drawings is a back elevational view thereof; FIG. 5 of the drawings is a top plan view thereof;

FIG. 6 of the drawings is a left side elevational view thereof; and,

FIG. 7 of the drawings is a bottom plan view thereof.

1 Claim, 7 Drawing Sheets



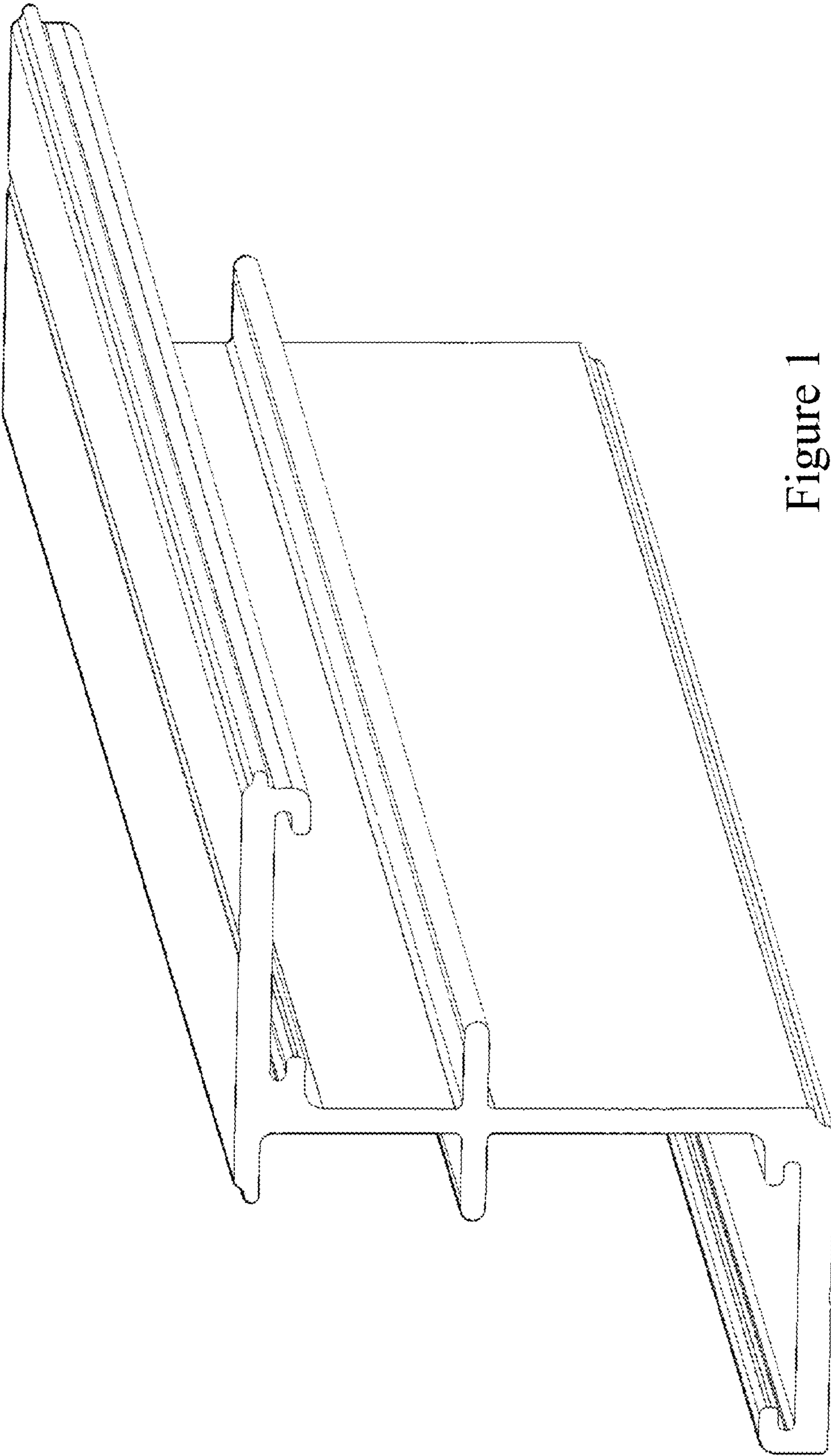


Figure 1

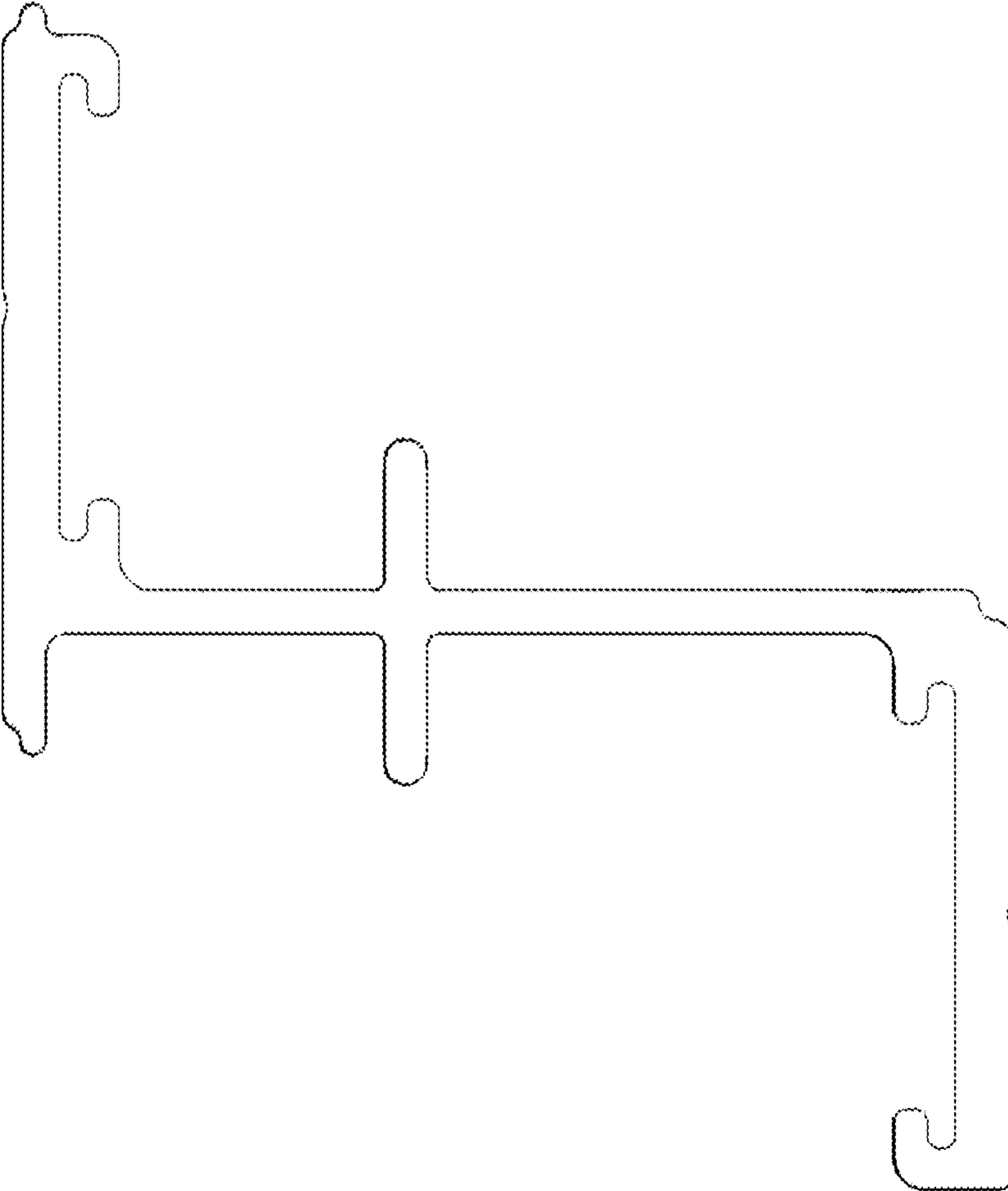


Figure 2

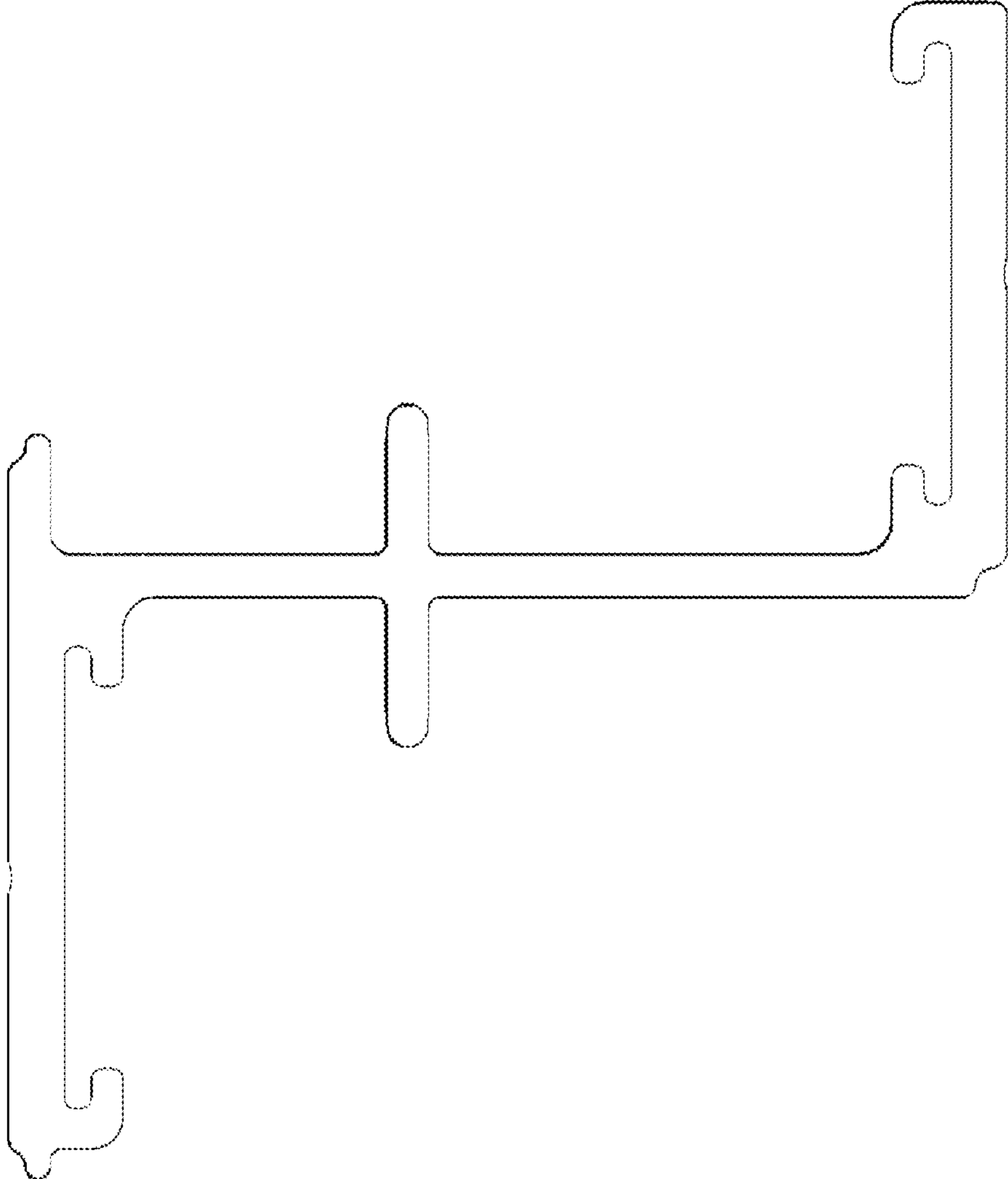


Figure 4

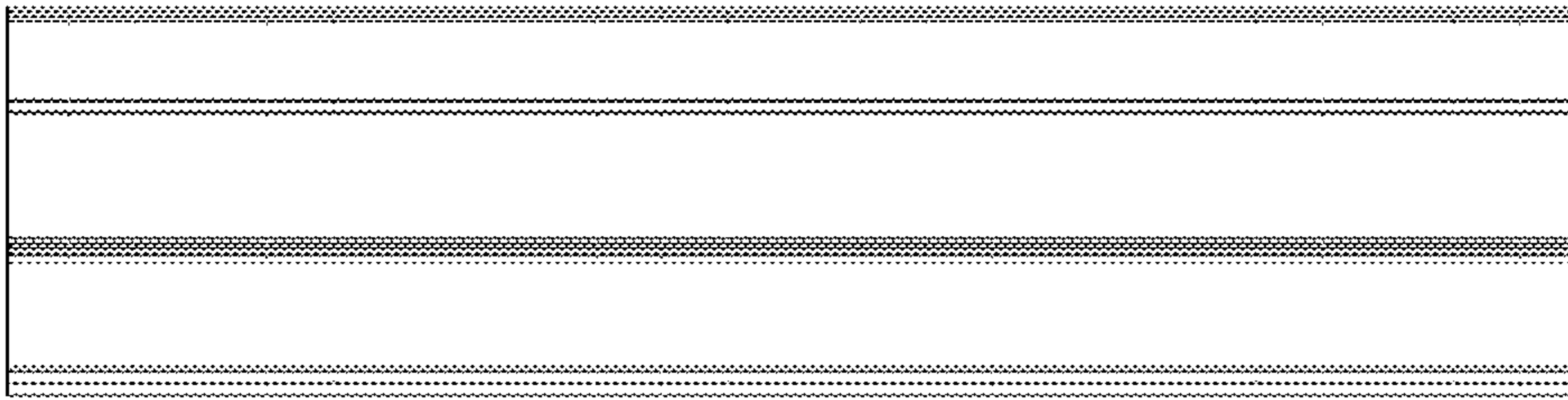


Figure 5

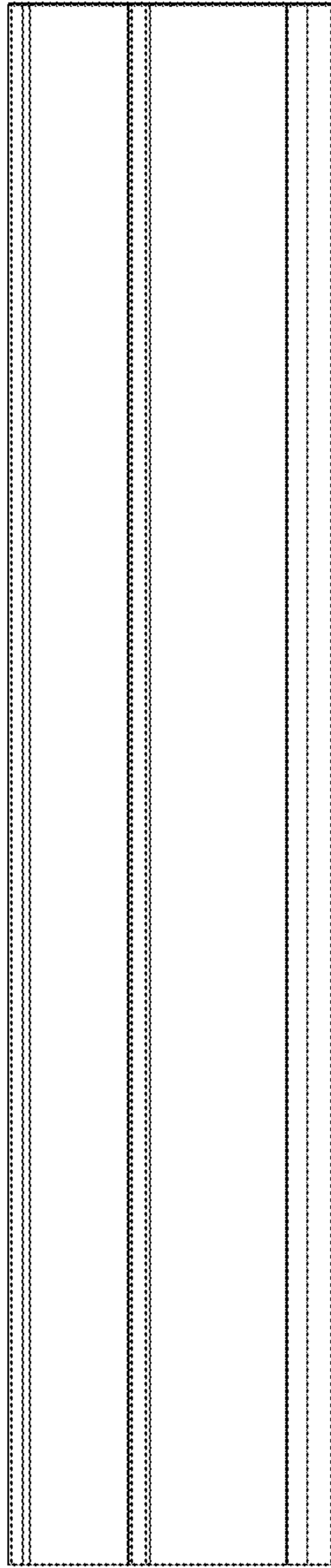


Figure 6

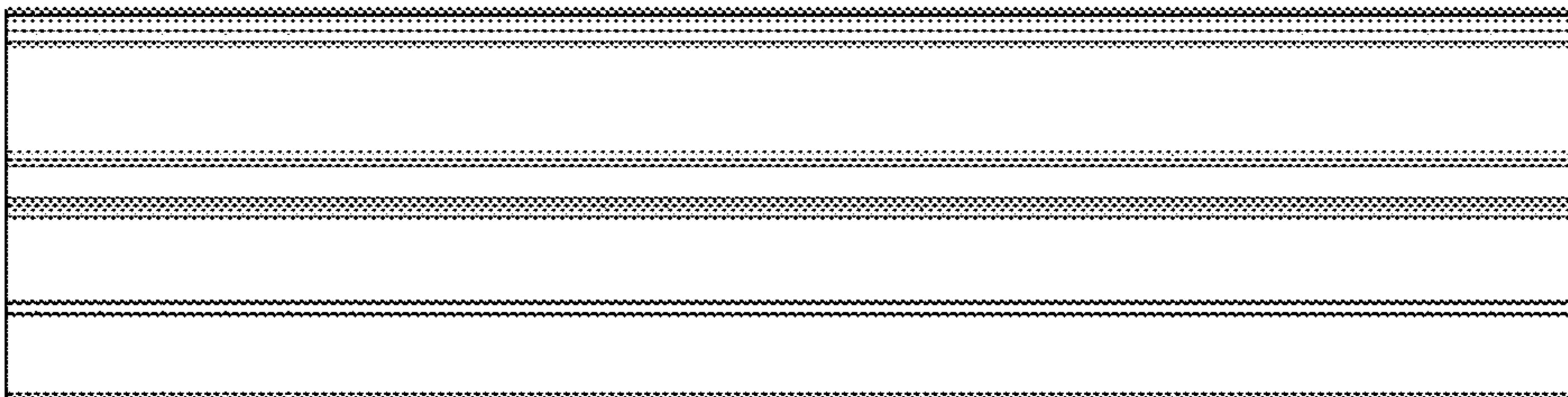


Figure 7