



US00D772431S

(12) **United States Design Patent** (10) **Patent No.:** **US D772,431 S**  
**Norton et al.** (45) **Date of Patent:** **\*\* Nov. 22, 2016**

(54) **BRIDGE PIECE**  
(71) Applicant: **Cleveland Reclaim Industries, Inc.**,  
Lorain, OH (US)  
(72) Inventors: **Tom Norton**, Bay Village, OH (US);  
**Robert Mestdagh**, Ackley, IA (US);  
**Dennis R Hildebrandt, Jr.**, North  
Olmsted, OH (US); **Michael W**  
**Jackson**, Wooster, OH (US)  
(73) Assignee: **Cleveland Reclaim Industries, Inc.**,  
Lorain, OH (US)  
(\*\*) Term: **14 Years**

(21) Appl. No.: **29/522,823**  
(22) Filed: **Apr. 2, 2015**  
(51) **LOC (10) Cl.** ..... **25-01**  
(52) **U.S. Cl.**  
USPC ..... **D25/113**  
(58) **Field of Classification Search**  
USPC ..... D25/113-118, 199; D23/259  
CPC ..... E04C 1/00; E04C 1/395; E04B 1/02;  
E02B 3/14; E02B 3/122; E02B 3/123;  
H02G 9/02; H02G 9/04; H02G 9/025  
See application file for complete search history.

(56) **References Cited**  
U.S. PATENT DOCUMENTS  
D254,450 S \* 3/1980 Pulse ..... D21/502  
D298,464 S \* 11/1988 Roote ..... D25/117  
D314,240 S \* 1/1991 Scheiwiller ..... D25/113  
5,777,266 A \* 7/1998 Herman ..... H02G 9/02  
138/155  
D414,276 S \* 9/1999 Bruno ..... D21/488  
D435,304 S \* 12/2000 Rainey ..... D25/114  
6,202,565 B1 \* 3/2001 Henry ..... A62C 33/06  
104/275  
6,287,047 B1 \* 9/2001 Dufresne ..... E01F 9/047  
138/106

D463,041 S \* 9/2002 Dice ..... D25/118  
6,508,041 B1 \* 1/2003 Boot ..... E04B 2/18  
52/578  
6,878,881 B1 \* 4/2005 Henry ..... H02G 9/04  
104/275  
7,037,037 B1 \* 5/2006 Smith ..... E02B 3/14  
405/16  
D567,913 S \* 4/2008 Norton ..... D23/259  
8,678,704 B1 \* 3/2014 Smith ..... E02B 3/14  
405/16  
D725,748 S \* 3/2015 Lake ..... D23/259  
2002/0078513 A1 \* 6/2002 Schouest ..... B60P 1/43  
14/69.5  
2010/0303555 A1 \* 12/2010 Herse ..... E04C 1/395  
405/286  
2014/0119831 A1 \* 5/2014 Hill ..... E02B 3/14  
405/16

\* cited by examiner

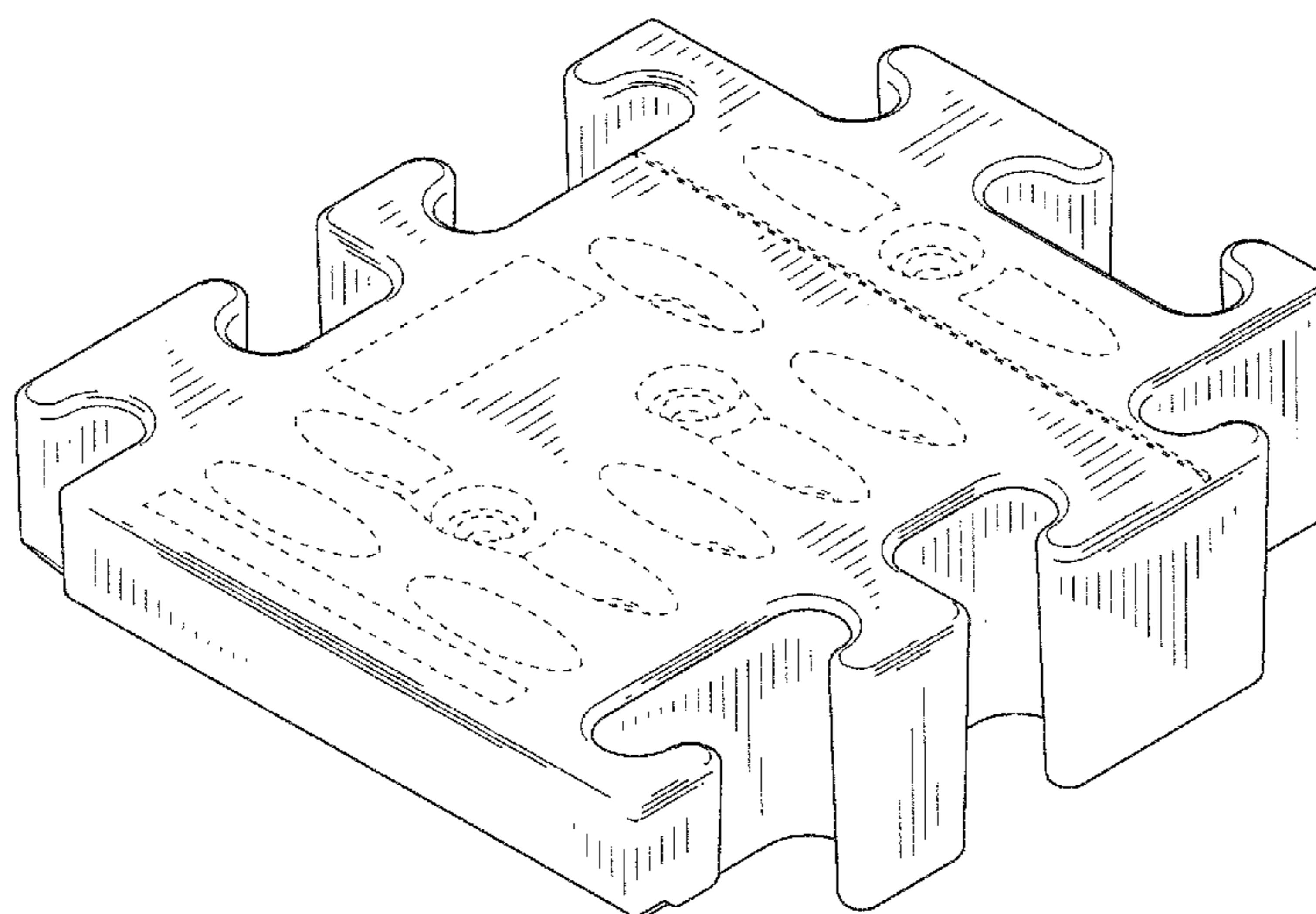
*Primary Examiner* — Anhdao Doan  
(74) *Attorney, Agent, or Firm* — Calfee, Halter &  
Griswold, LLP

(57) **CLAIM**  
We claim the ornamental design for a bridge piece, as shown  
and described.

**DESCRIPTION**

FIG. 1 is a front/left/top perspective view of a bridge piece;  
FIG. 2 is a rear/left/bottom perspective view thereof;  
FIG. 3 is a front elevational view thereof;  
FIG. 4 is a rear elevational view thereof;  
FIG. 5 is a right side elevational view thereof;  
FIG. 6 is a left side elevational view thereof;  
FIG. 7 is a top plan view thereof; and,  
FIG. 8 is a bottom plan view thereof.  
The broken lines immediately adjacent the shaded areas  
represent the bounds of the claimed design, while all other  
broken lines are directed to environment and are for illus-  
trative purposes only; the broken lines form no part of the  
claimed design.

**1 Claim, 5 Drawing Sheets**



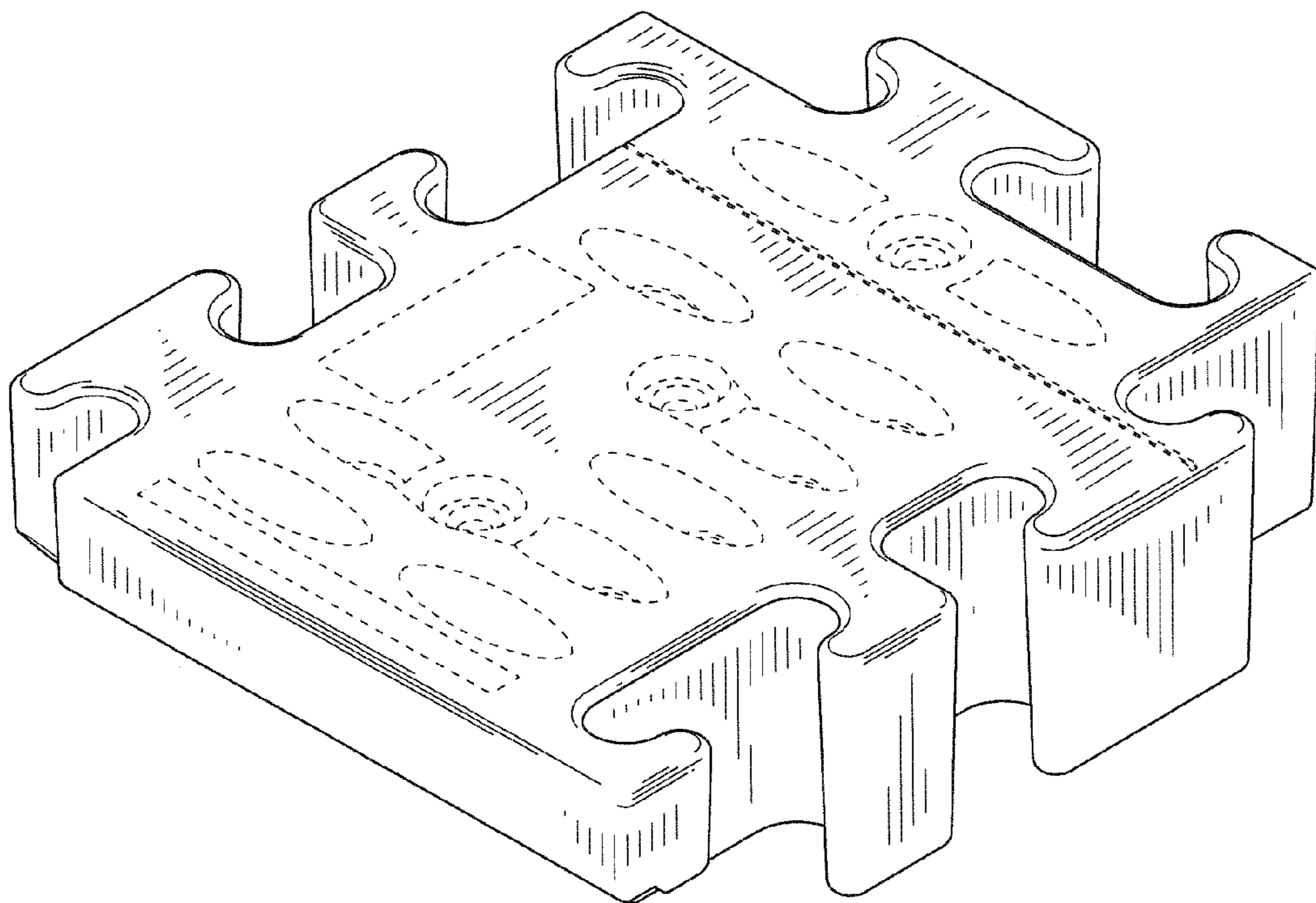


FIG. 1

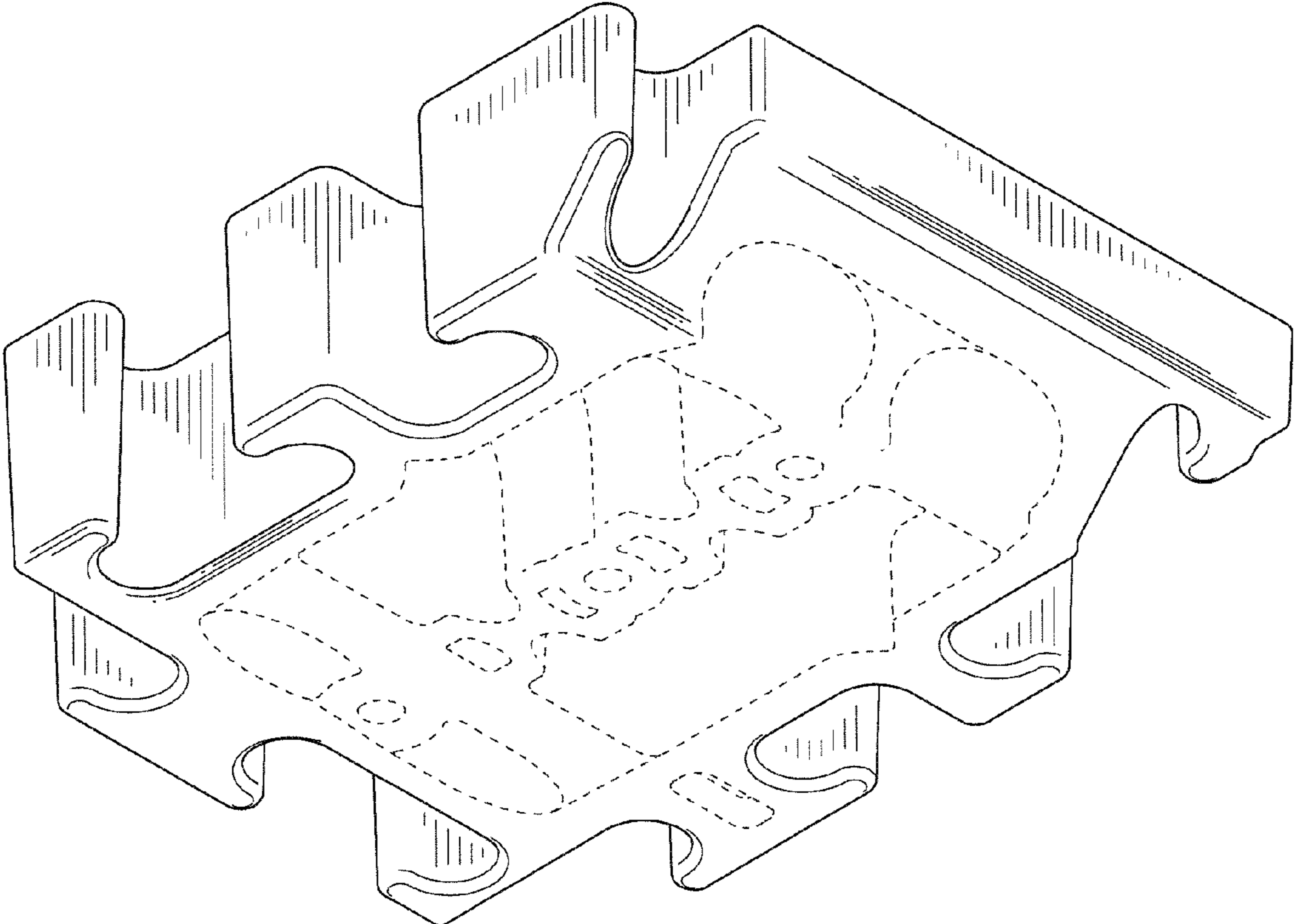


FIG. 2

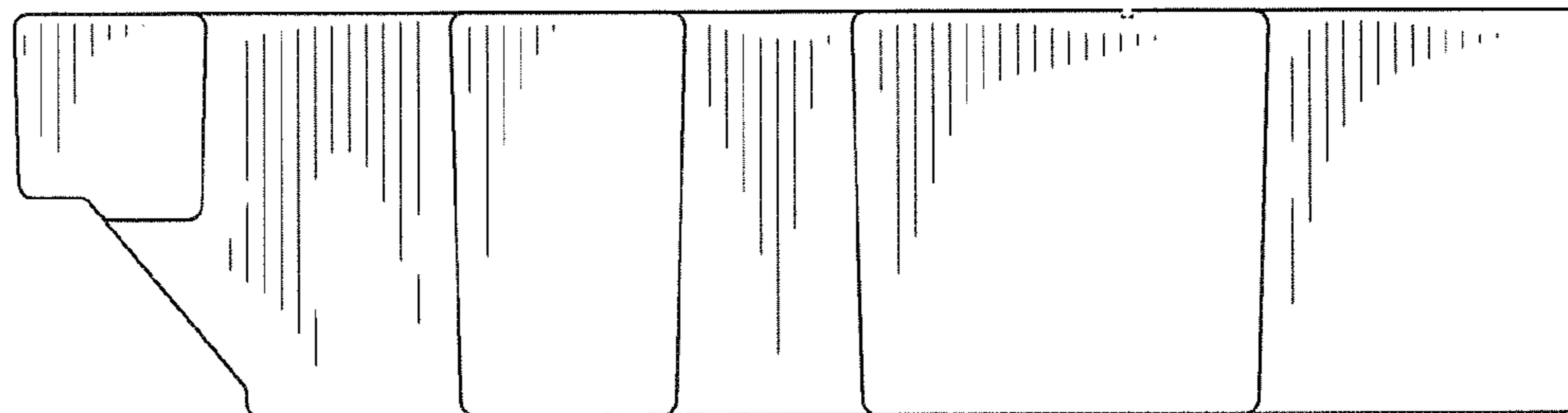


FIG. 3

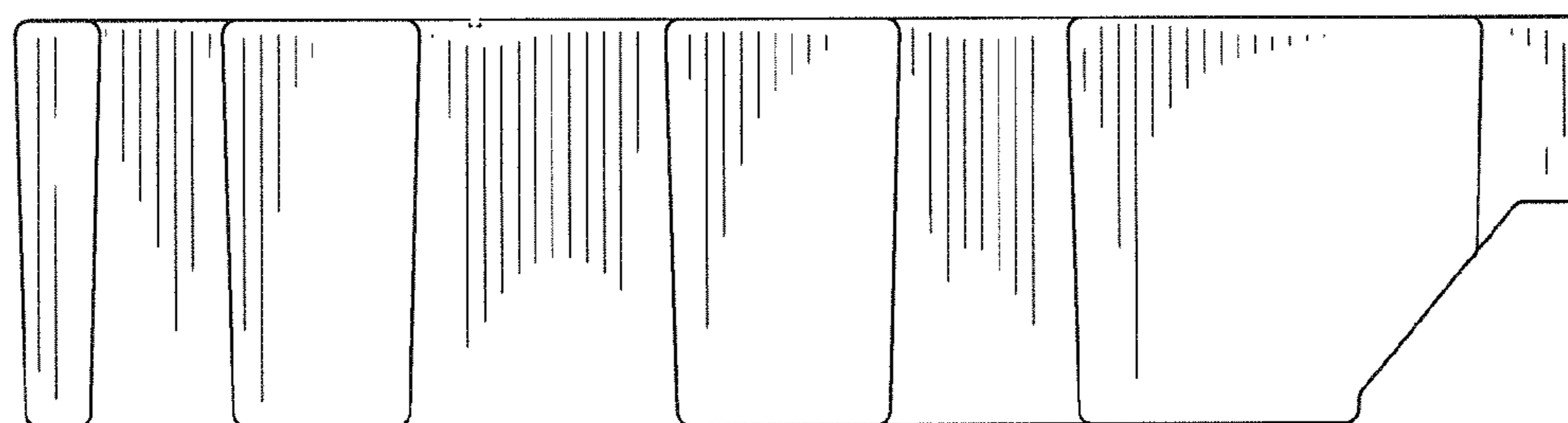


FIG. 4

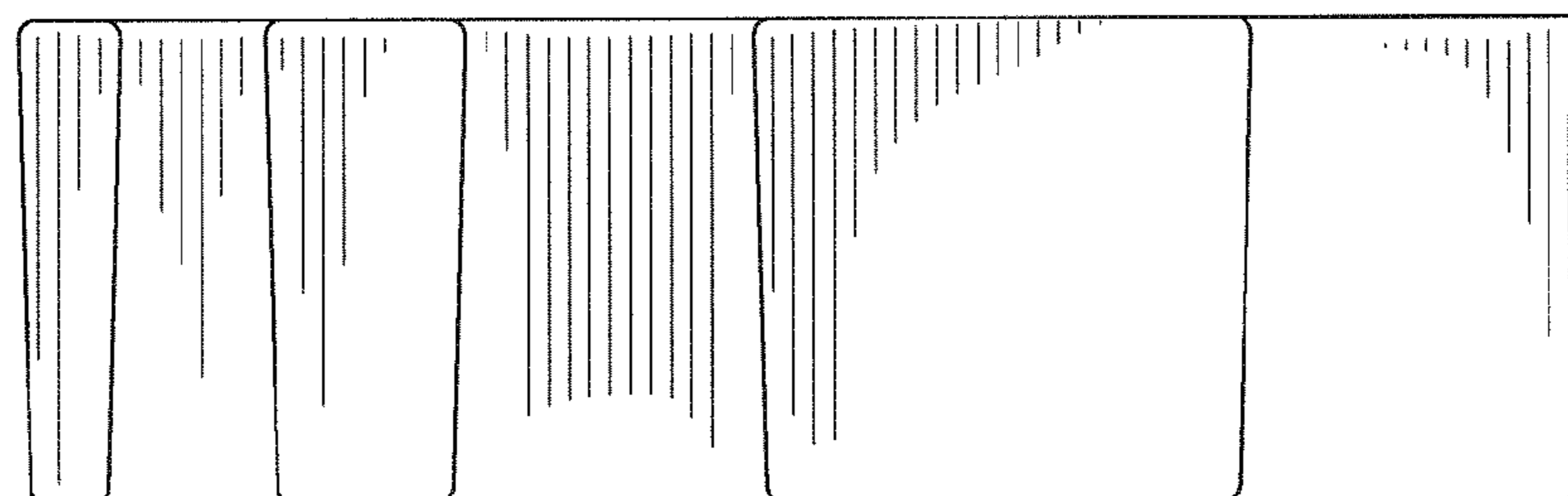


FIG. 5

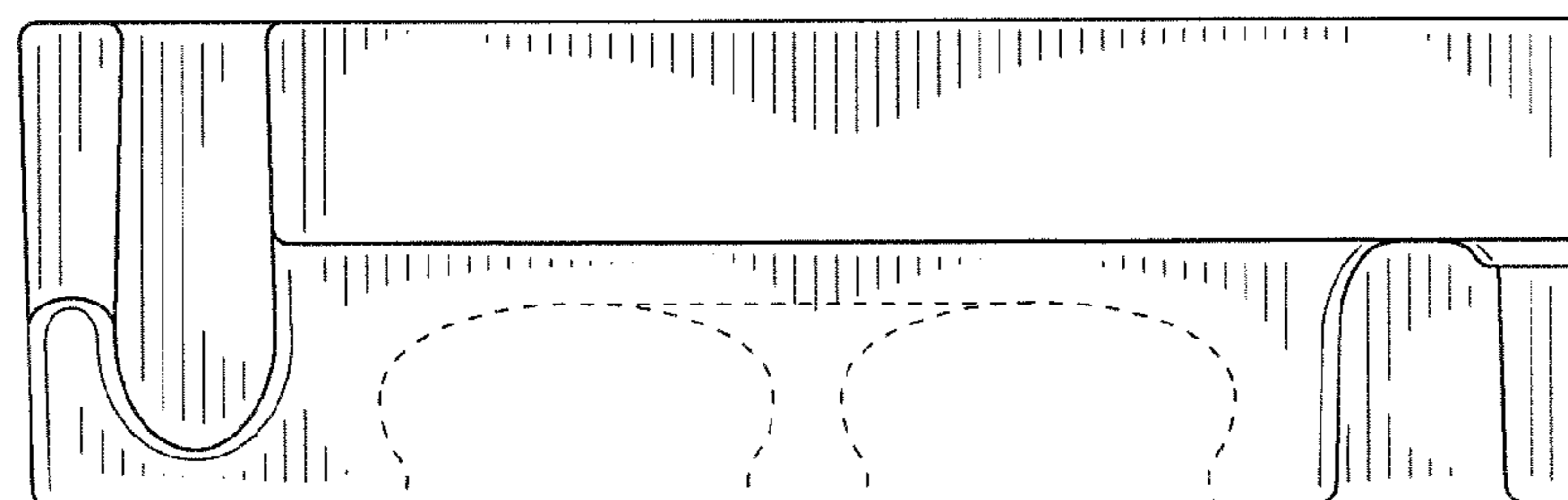


FIG. 6

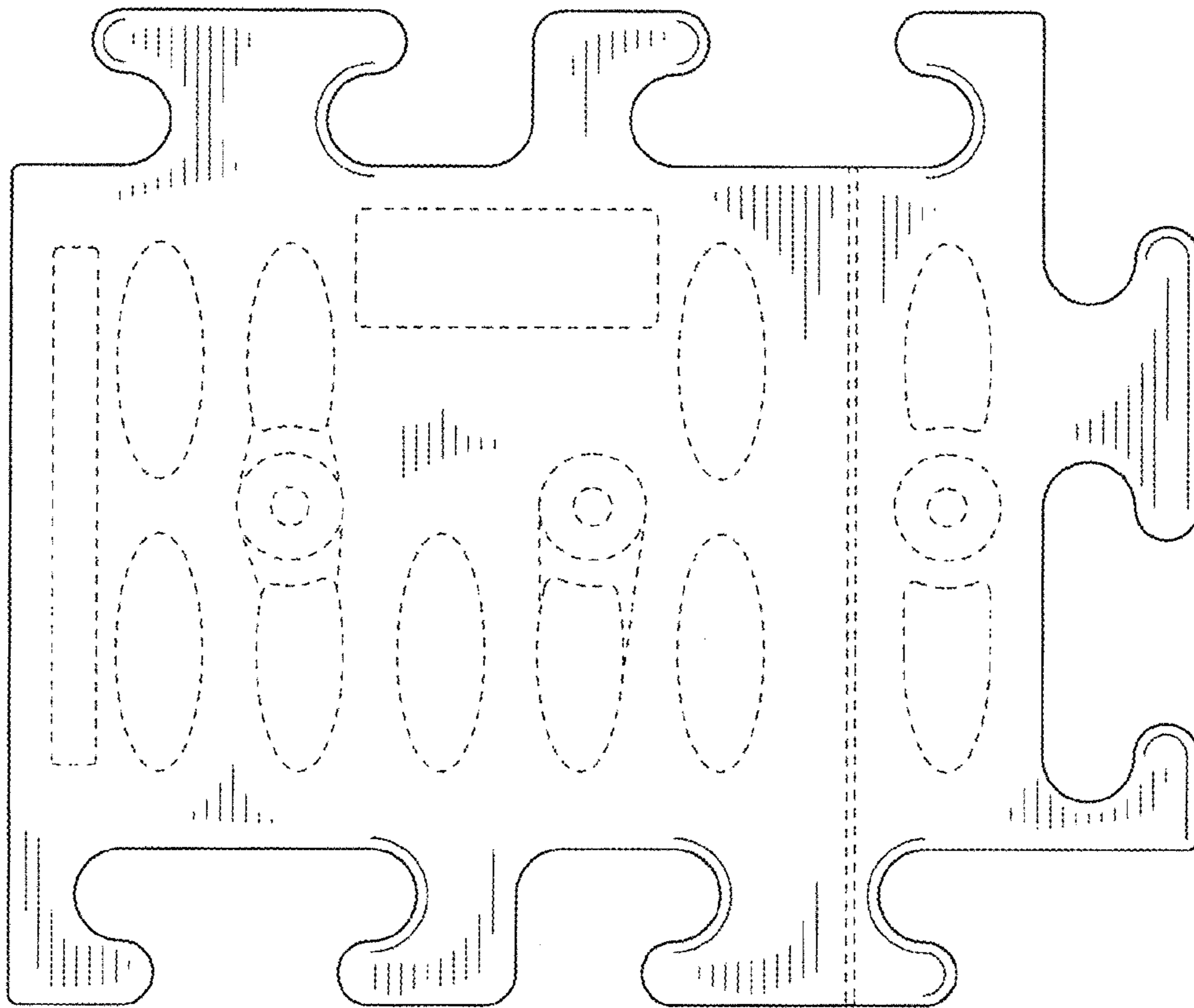


FIG. 7

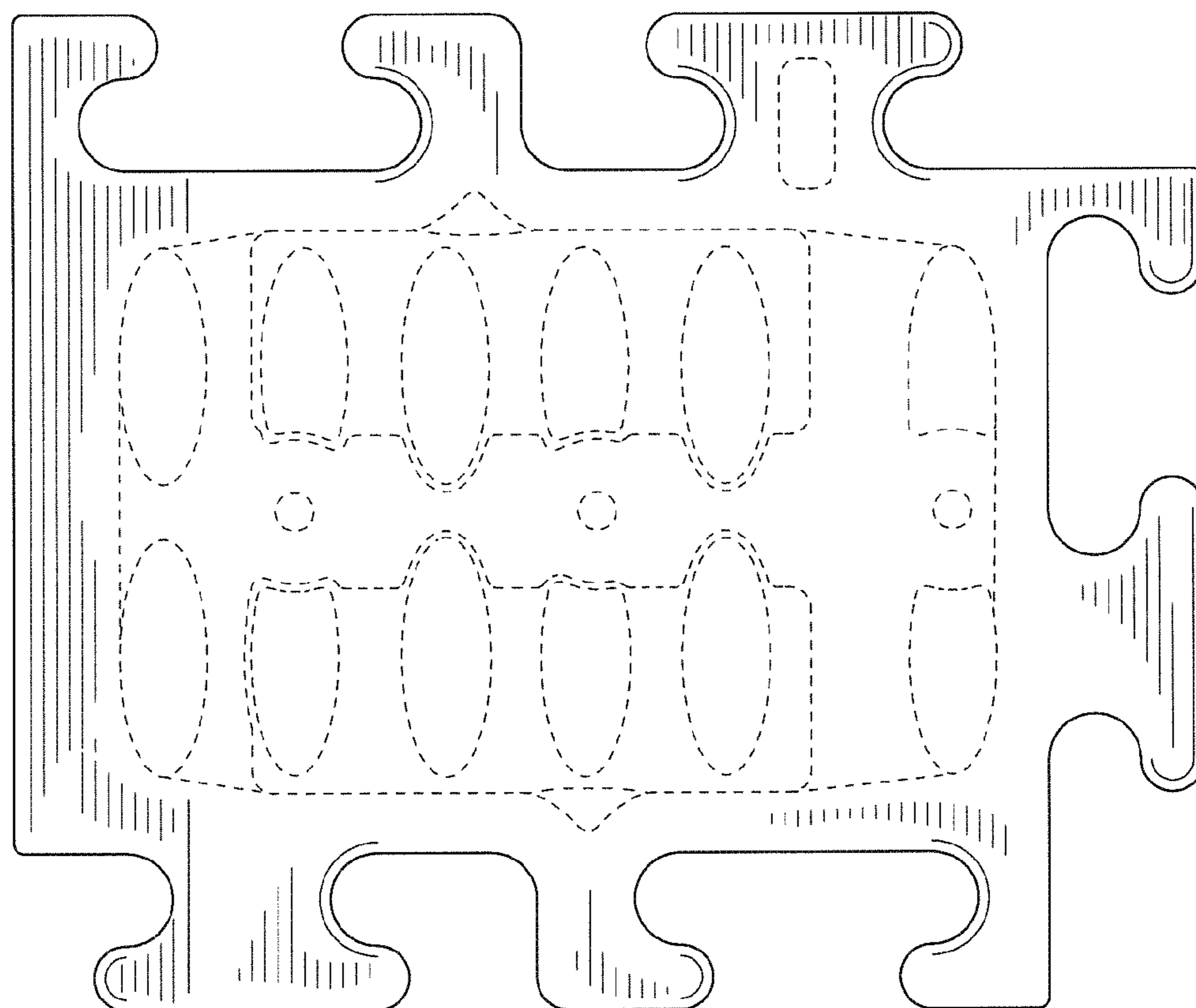


FIG. 8