



US00D772427S

(12) **United States Design Patent**
Leaver et al.

(10) **Patent No.:** **US D772,427 S**

(45) **Date of Patent:** **** Nov. 22, 2016**

(54) **MICROFLUIDIC CARTRIDGE**

(71) Applicant: **University of British Columbia,**
Vancouver (CA)

(72) Inventors: **Timothy Leaver,** Delta (CA); **Andre Wild,** Vancouver (CA)

(73) Assignee: **University of British Columbia,**
Vancouver (CA)

(**) Term: **14 Years**

(21) Appl. No.: **29/525,300**

(22) Filed: **Apr. 28, 2015**

(51) **LOC (10) Cl.** **24-02**

(52) **U.S. Cl.**
USPC **D24/224**

(58) **Field of Classification Search**
USPC D24/121–122, 186, 216–217, 219,
D24/223–226, 227, 229–231, 232; D10/81;
422/408, 430, 500, 502, 503, 68.1,
422/560, 400; 436/163, 164, 169; 435/91.2,
435/303.1

CPC . B01J 19/0046; G01N 31/221; G01N 31/22;
G01N 21/8483; G01N 21/6428; B01L
2400/0406; B01L 9/54; B01L 2300/0816;
B01L 3/50855; B01L 3/502; B01L 3/502715;
B01L 3/502707; B01L 9/527; B01L 3/5085
See application file for complete search history.

(56) **References Cited**

U.S. PATENT DOCUMENTS

D461,906 S *	8/2002	Pham	D24/225
D491,273 S *	6/2004	Biegler	D24/216
D495,805 S *	9/2004	Lea	D24/216
D531,321 S *	10/2006	Godfrey	D24/225
D559,995 S *	1/2008	Handique	D24/232
D565,742 S *	4/2008	Parunak	D24/224
D566,291 S *	4/2008	Parunak	D24/224
7,704,735 B2 *	4/2010	Facer	B01L 3/502707 436/174

7,727,371 B2 *	6/2010	Kennedy	B01L 9/527 204/600
D621,060 S *	8/2010	Handique	D24/225
D663,434 S *	7/2012	Cao	D24/216
D668,350 S *	10/2012	Rowley	D24/225
D668,779 S *	10/2012	Khan	D24/225

(Continued)

FOREIGN PATENT DOCUMENTS

WO	2014/172045 A1	10/2014
WO	2015/013596 A2	1/2015
WO	2015/057998 A1	4/2015

OTHER PUBLICATIONS

“Agilent DNA 7500 and DNA 12000 Kit Guide,” Agilent Technologies, Waldbronn, Germany, Manual Part No. G2938-90024 Rev. B, Jul. 2013, 24 pages.

(Continued)

Primary Examiner — T. Chase Nelson

Assistant Examiner — Mark Cavanna

(74) *Attorney, Agent, or Firm* — Christensen O’Connor Johnson Kindness PLLC

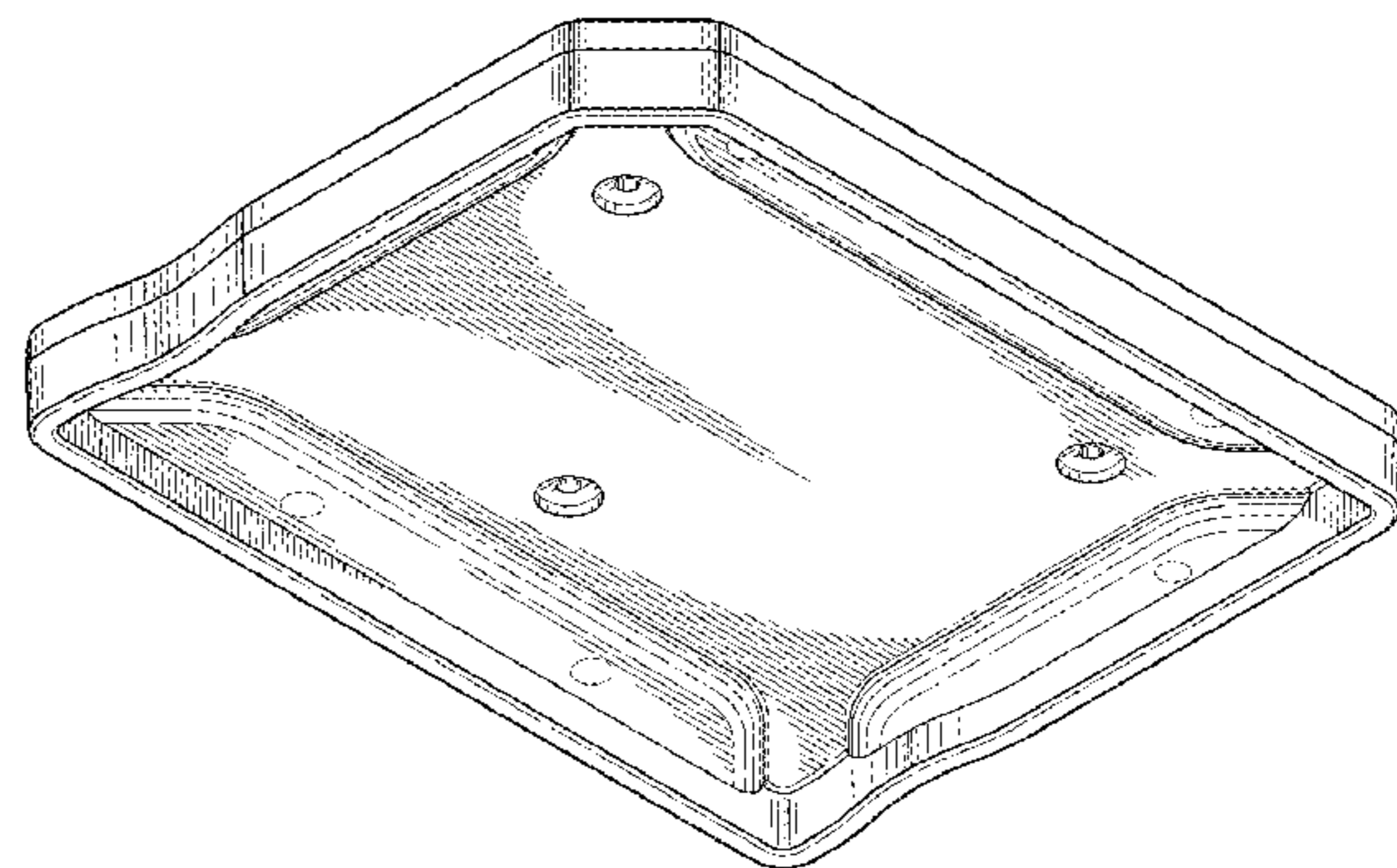
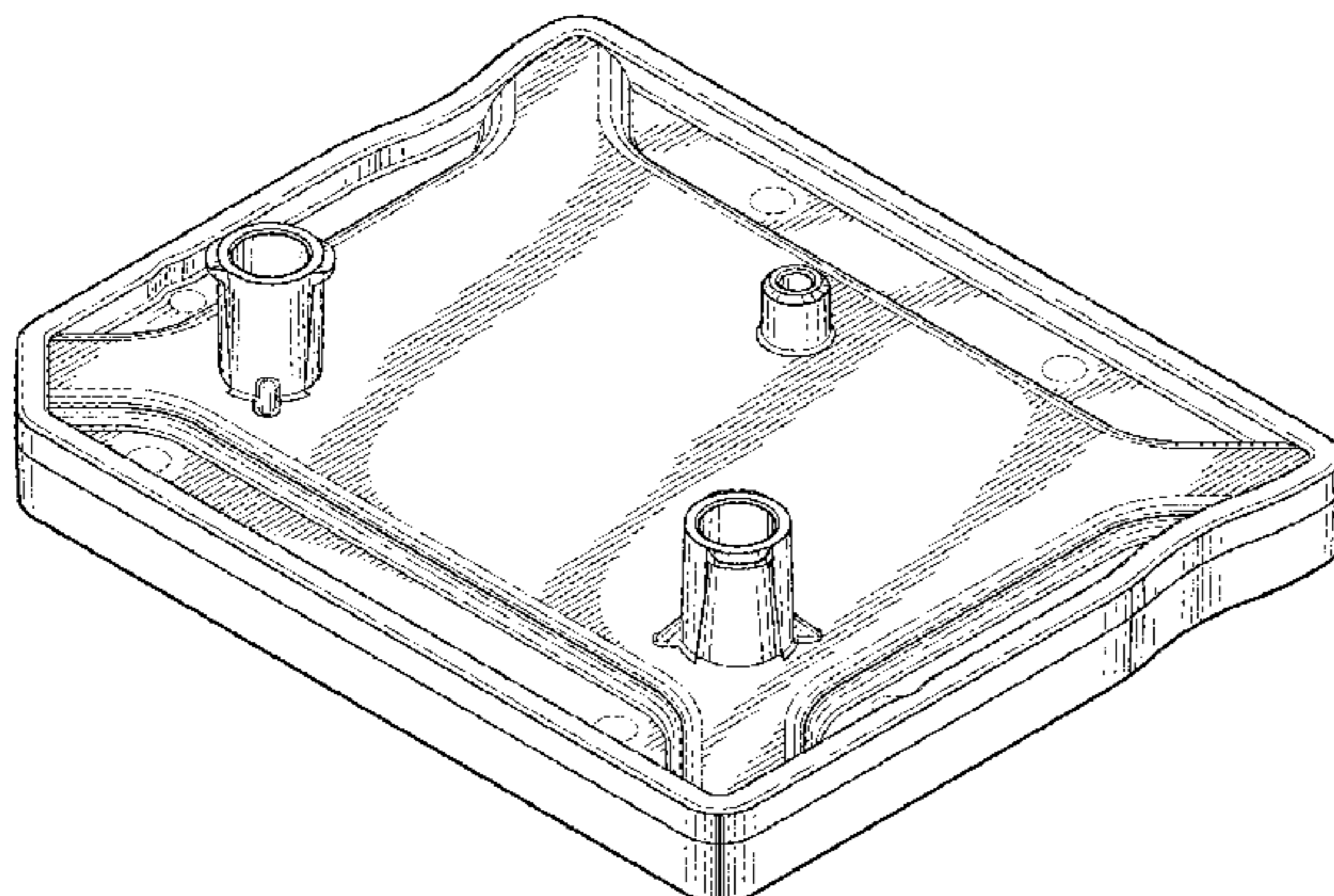
(57) **CLAIM**

The ornamental design for a microfluidic cartridge, as shown and described.

DESCRIPTION

FIG. 1 is a top front right perspective view of a microfluidic cartridge showing our new design;
FIG. 2 is a bottom front left perspective view thereof;
FIG. 3 is a top plan view thereof;
FIG. 4 is a bottom plan view thereof;
FIG. 5 is a front elevation view thereof;
FIG. 6 is a rear elevation view thereof;
FIG. 7 is a left side elevation view thereof; and,
FIG. 8 is a right side elevation view thereof.
The broken lines shown in the drawings illustrate portions of the microfluidic cartridge that form no part of the claimed design.

1 Claim, 4 Drawing Sheets



(56)

References Cited

U.S. PATENT DOCUMENTS

D669,191 S * 10/2012 Handique D24/225
 D669,594 S * 10/2012 Cao D24/216
 D676,145 S * 2/2013 Kouge D24/225
 D679,024 S * 3/2013 Kouge D24/225
 D686,311 S * 7/2013 Mori D24/108
 D692,578 S * 10/2013 Kikuhara D24/216
 D700,711 S * 3/2014 Kikuhara D24/216
 D702,364 S * 4/2014 Iqbal D24/225
 D731,671 S * 6/2015 Gruner D24/224
 D732,186 S * 6/2015 Burroughs D24/226
 D733,313 S * 6/2015 Kouge D24/225
 D738,526 S * 9/2015 Huang D24/224
 2004/0141887 A1* 7/2004 Mainquist B01L 3/50855
 422/400

2006/0165558 A1* 7/2006 Witty B01L 3/502
 422/400
 2008/0182301 A1* 7/2008 Handique B01L 3/502715
 435/91.2
 2011/0268630 A1* 11/2011 Williams B01L 3/5085
 422/560

OTHER PUBLICATIONS

“NanoAssemblr™,” Precision Nanosystems, brochure distributed at the 16th Annual Oligonucleotide and Peptide Therapeutics: From Research Through Commercialization (TIDES), Providence, R.I., May 12-15, 2014, 4 pages.

“NanoAssemblr: Revolutionizing Medicine,” Precision Nanosystems, brochure distributed at the Sixth International Liposome Society Meeting, London, Dec. 14-17, 2013, 4 pages.

* cited by examiner

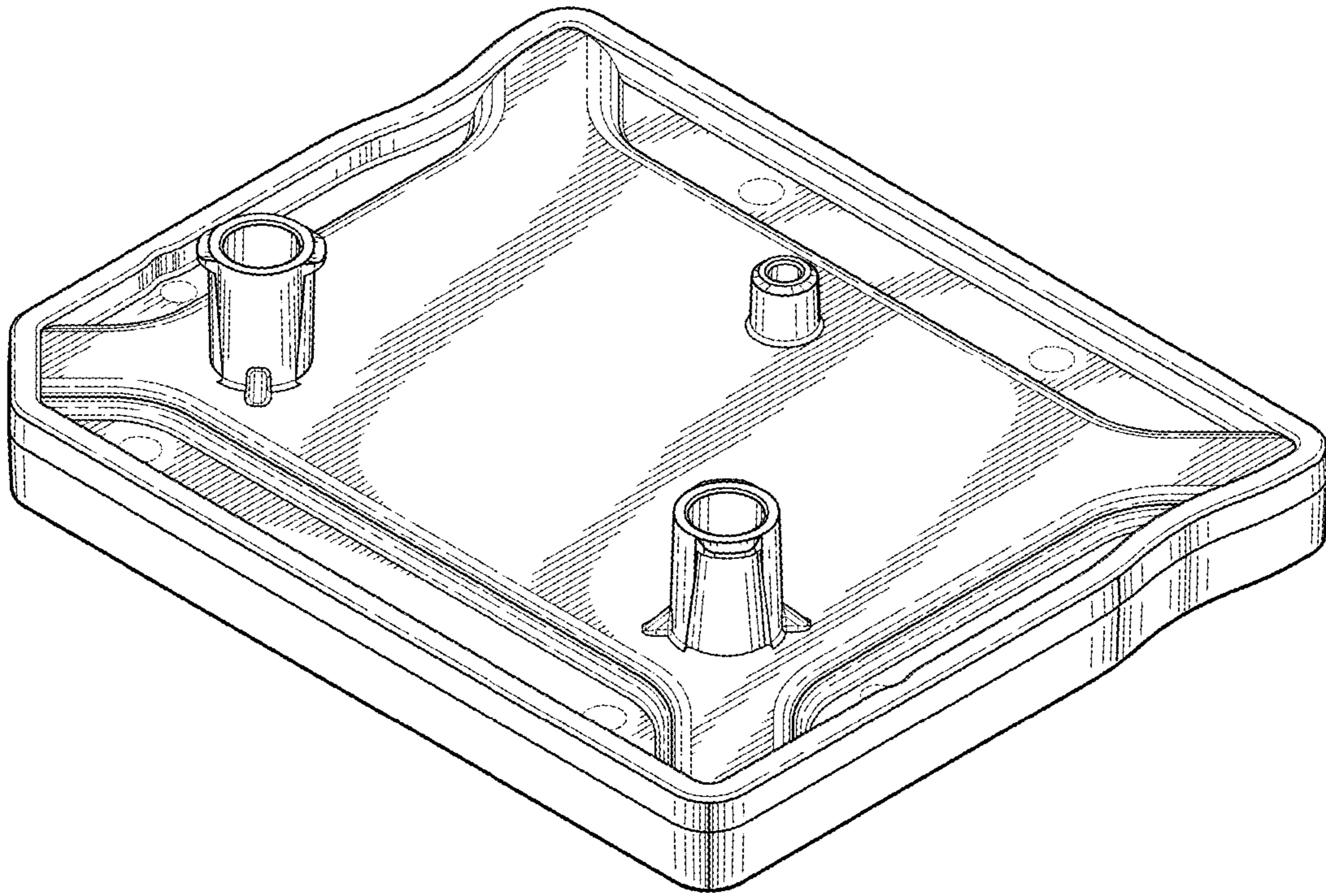


Fig. 1.

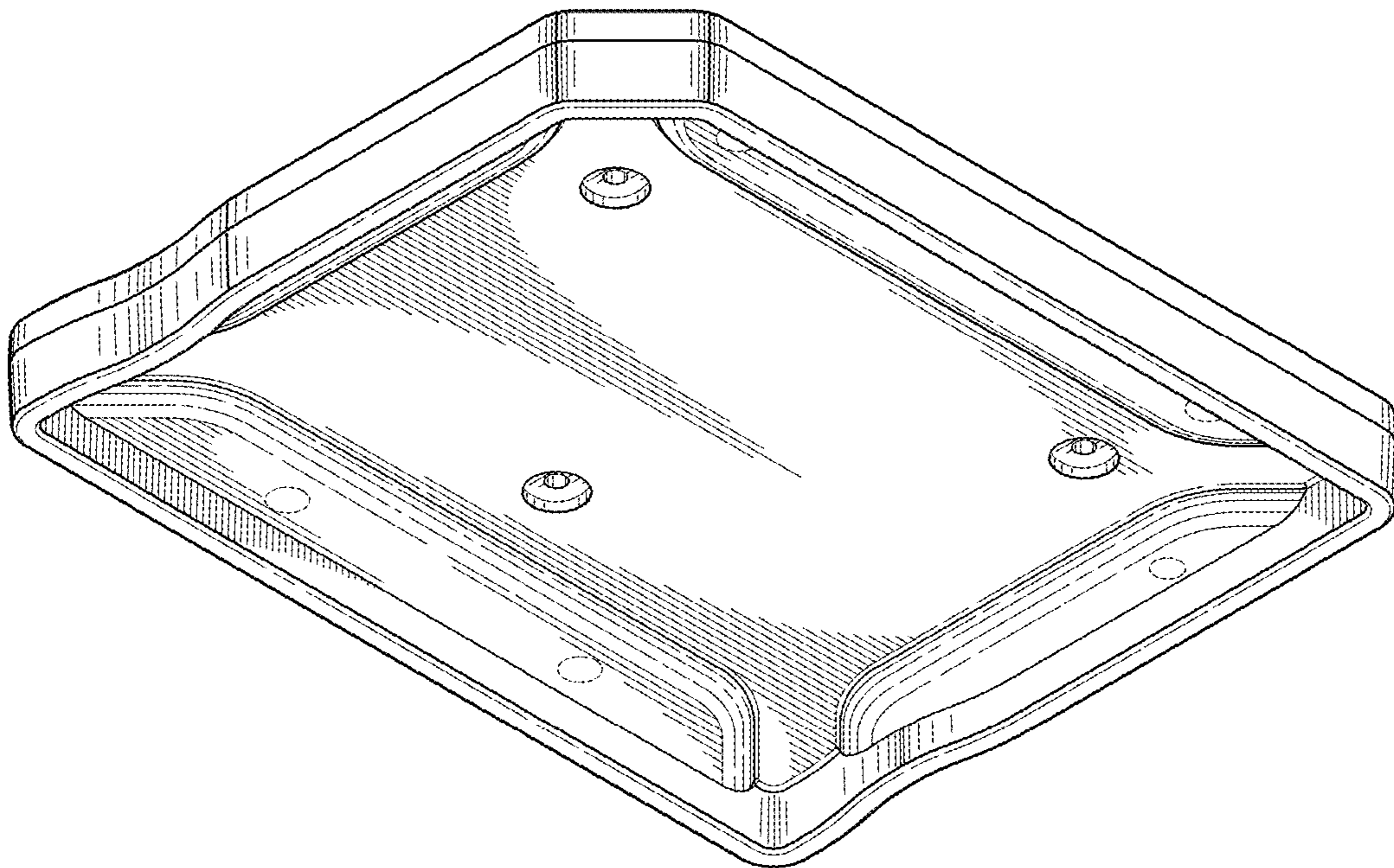


Fig. 2.

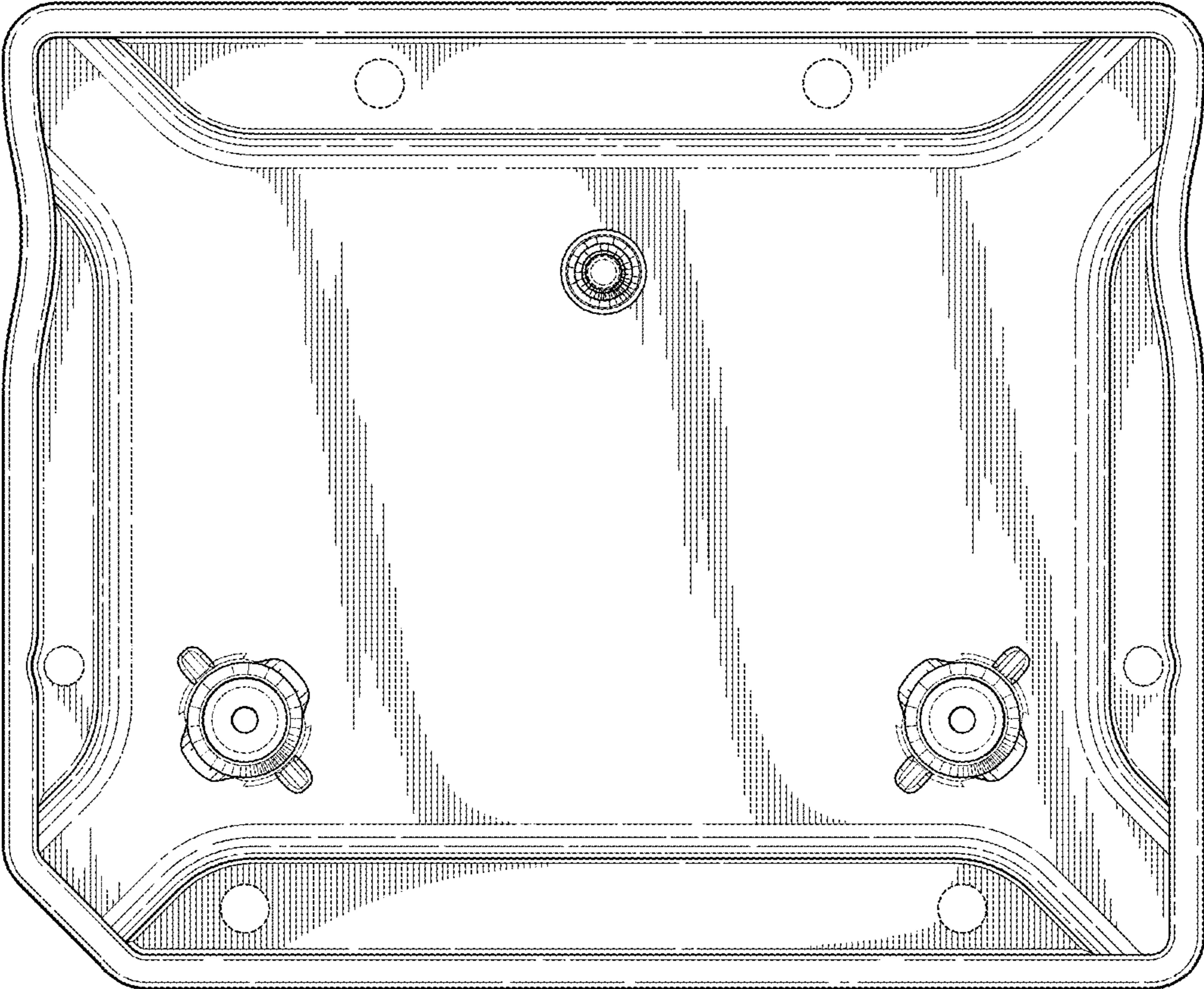


Fig. 3.

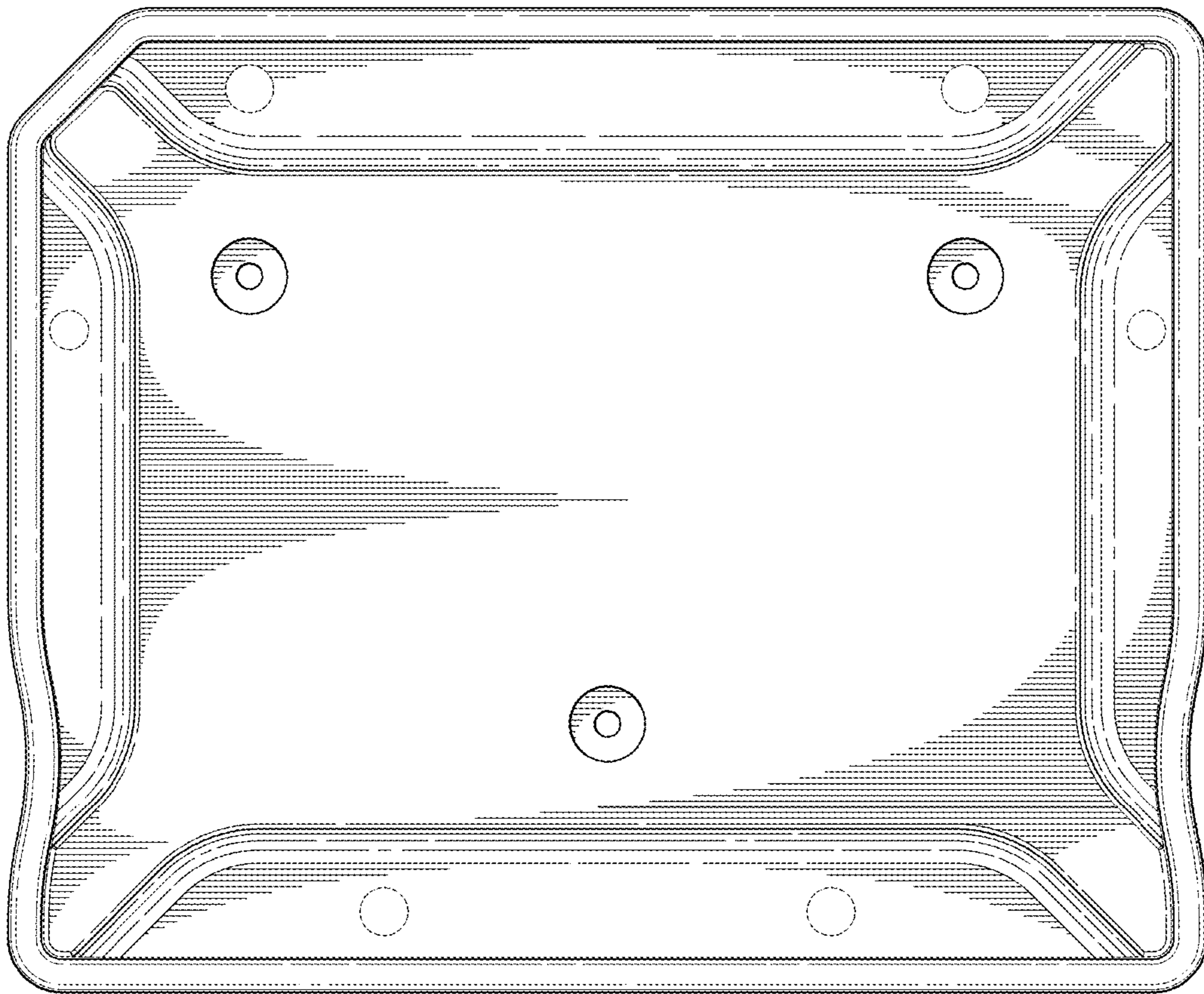


Fig. 4.

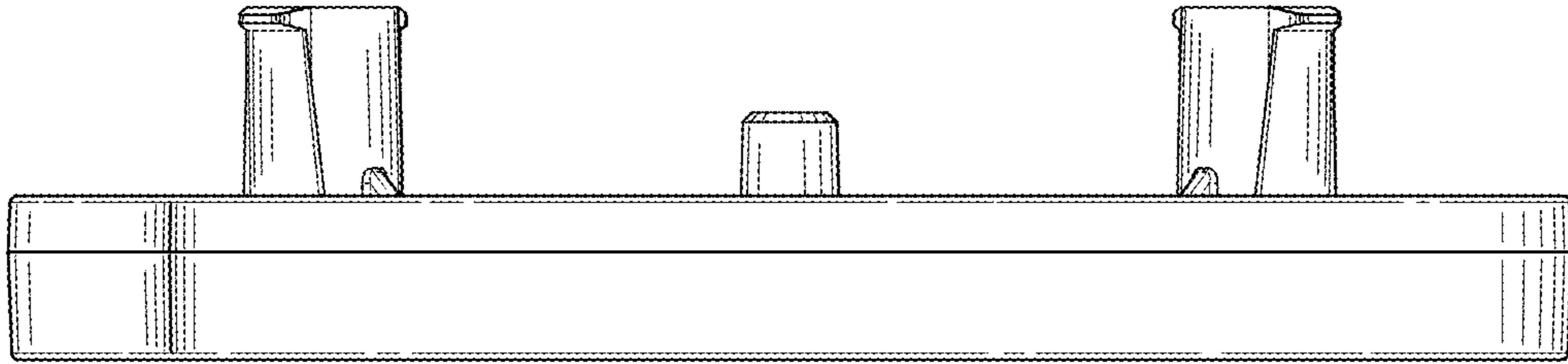


Fig. 5.

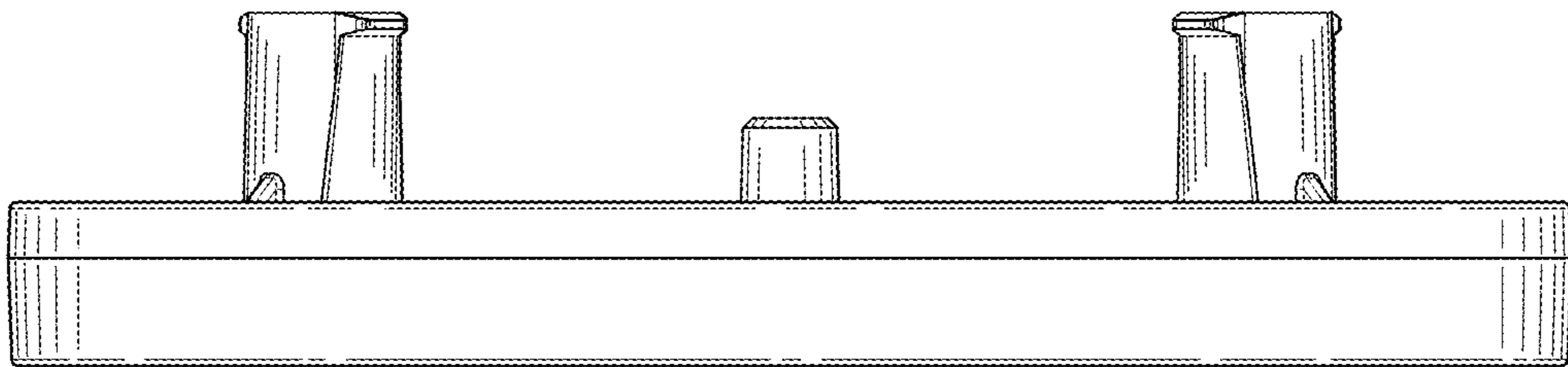


Fig. 6.

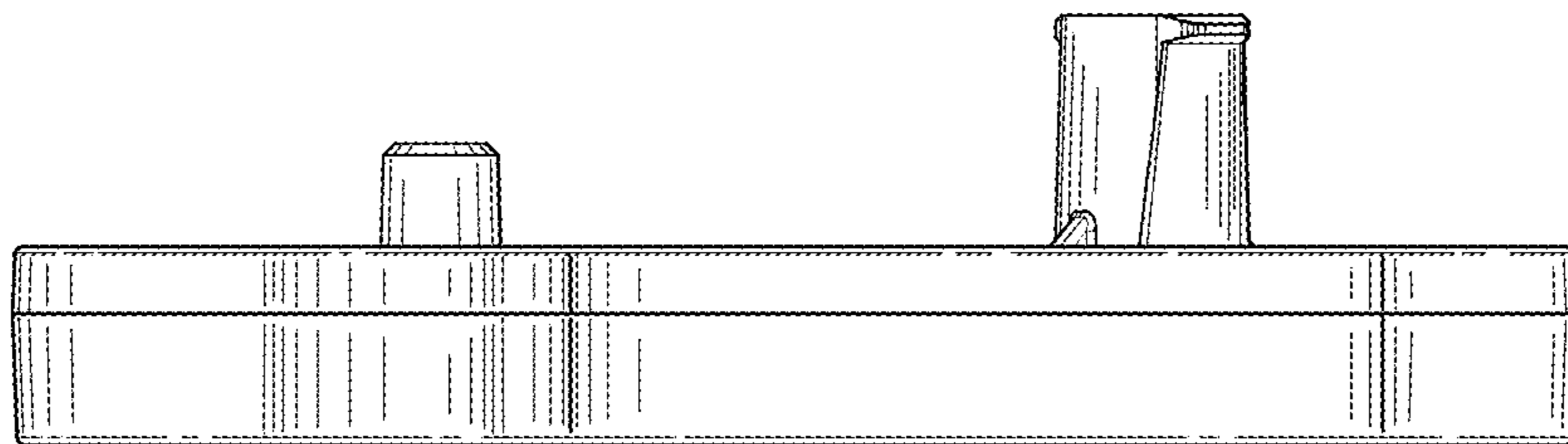


Fig. 7.

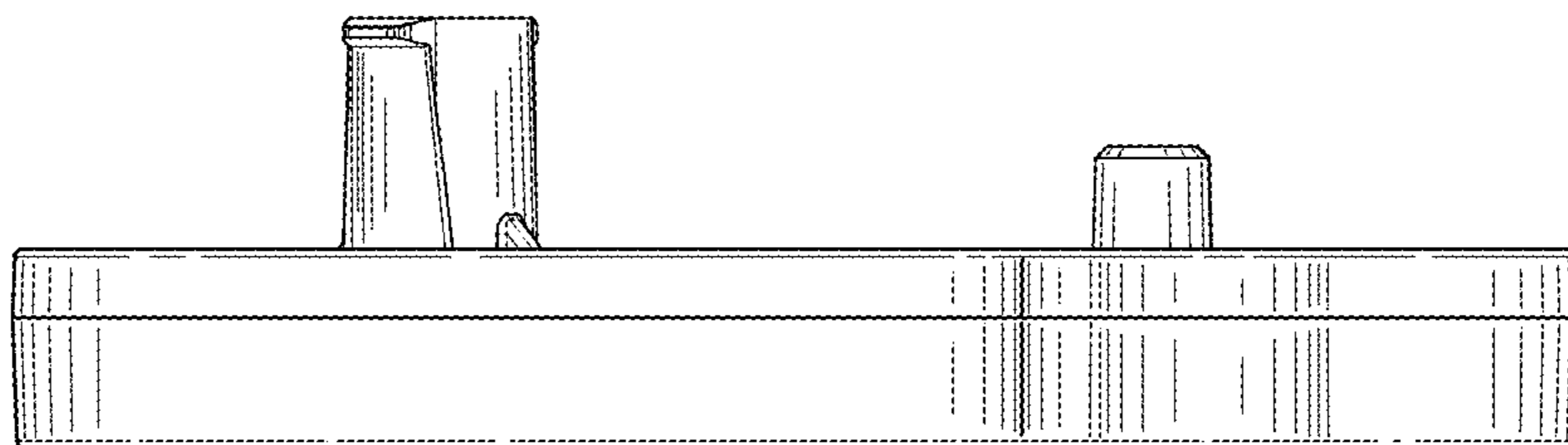


Fig. 8.