



US00D772426S

(12) **United States Design Patent**
Sanchez et al.

(10) **Patent No.:** **US D772,426 S**

(45) **Date of Patent:** **** Nov. 22, 2016**

(54) **PIPETTE SYSTEM CARTRIDGE**

7,413,710 B2 * 8/2008 Lisec B01L 3/022
422/417

(71) Applicants: **Marc Sanchez**, Paris (FR); **Tristan Berto**, Madison, WI (US)

(Continued)

(72) Inventors: **Marc Sanchez**, Paris (FR); **Tristan Berto**, Madison, WI (US)

Primary Examiner — T. Chase Nelson

Assistant Examiner — Mark Cavanna

(74) *Attorney, Agent, or Firm* — Quarles & Brady LLP

(73) Assignee: **GILSON, INC.**, Middleton, WI (US)

(57) **CLAIM**

The ornamental design for pipette system cartridge, as shown and described.

(**) Term: **14 Years**

DESCRIPTION

(21) Appl. No.: **29/479,141**

(22) Filed: **Jan. 13, 2014**

(51) **LOC (10) Cl.** **24-02**

(52) **U.S. Cl.**
USPC **D24/222**

(58) **Field of Classification Search**
USPC D24/216, 222–226, 231, 232;
422/500–501, 511, 524–526, 513, 564,
422/417, 400, 521–522; 73/863.32, 864.01,
73/864.13–864.17, 864.11, 73; 436/180,
436/178; D10/80–81; 435/283.1, 309.1
CPC B01L 3/0275; B01L 2300/0816;
B01L 2400/0406; B01L 3/0279; B01L
2400/0487; B01L 3/021; B01L 9/06; B01L
3/022; B01L 3/0217; B01L 3/0227; B01L
3/0231; B01L 3/5085; G01M 1/04; B65D
25/108

See application file for complete search history.

FIG. 1 is a front, top, and right side isometric view of the first embodiment of a pipette system cartridge showing our new design;

FIG. 2 is a front elevational view of the pipette system cartridge of FIG. 1;

FIG. 3 is a rear elevational view of the pipette system cartridge of FIG. 1;

FIG. 4 is a left side elevational view of the pipette system cartridge of FIG. 1;

FIG. 5 is a right side elevational view of the pipette system cartridge of FIG. 1;

FIG. 6 is a top plan view of the pipette system cartridge of FIG. 1;

FIG. 7 is a bottom plan view of the pipette system cartridge of FIG. 1;

FIG. 8 is a front, top, and right side isometric view of the second embodiment of a pipette system cartridge;

FIG. 9 is a front elevational view of the pipette system cartridge of FIG. 8;

FIG. 10 is a rear elevational view of the pipette system cartridge of FIG. 8;

FIG. 11 is a left side elevational view of the pipette system cartridge of FIG. 8;

FIG. 12 is a right side elevational view of the pipette system cartridge of FIG. 8;

FIG. 13 is a top plan view of the pipette system cartridge of FIG. 8; and,

FIG. 14 is a bottom plan view of the pipette system cartridge of FIG. 8.

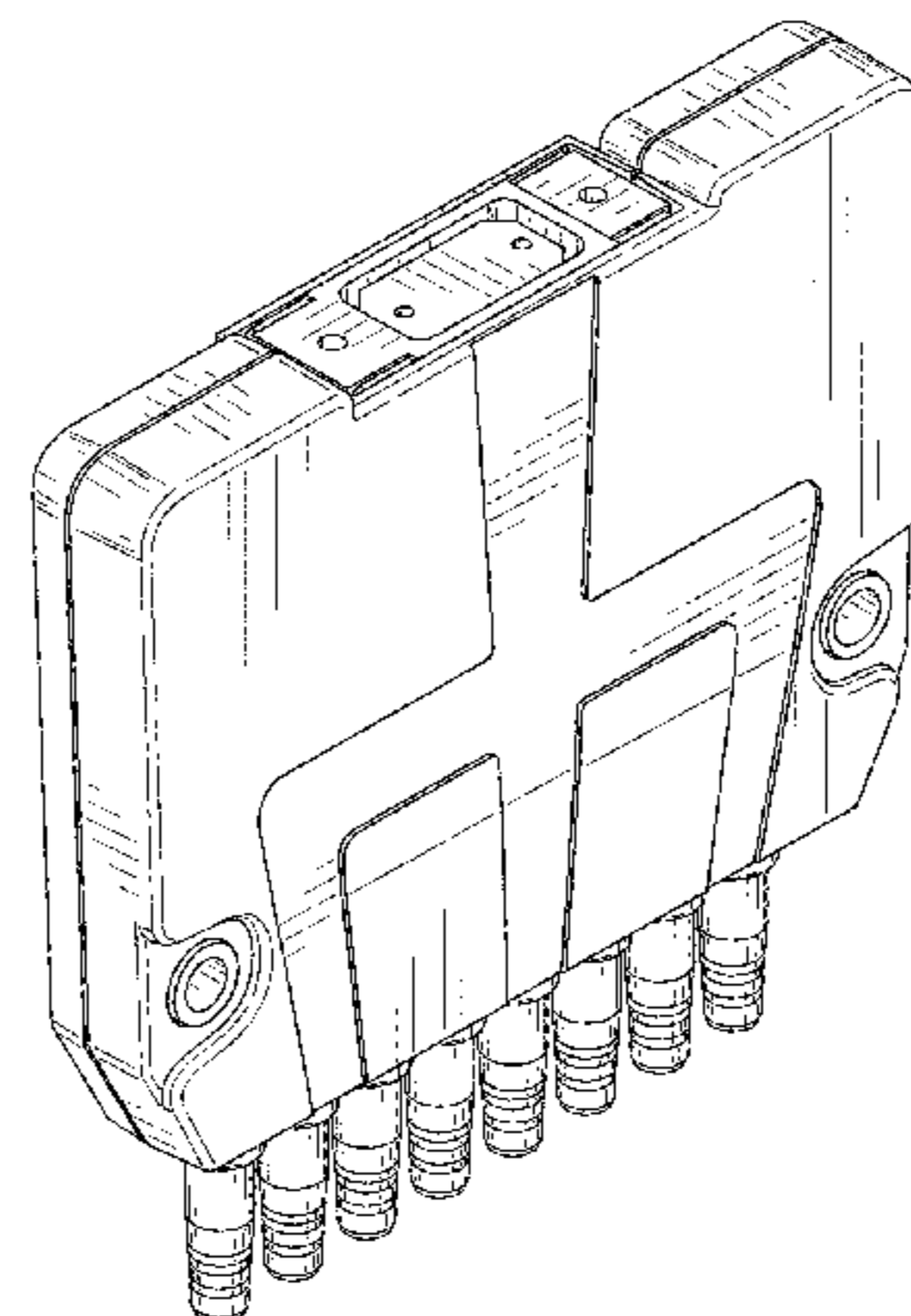
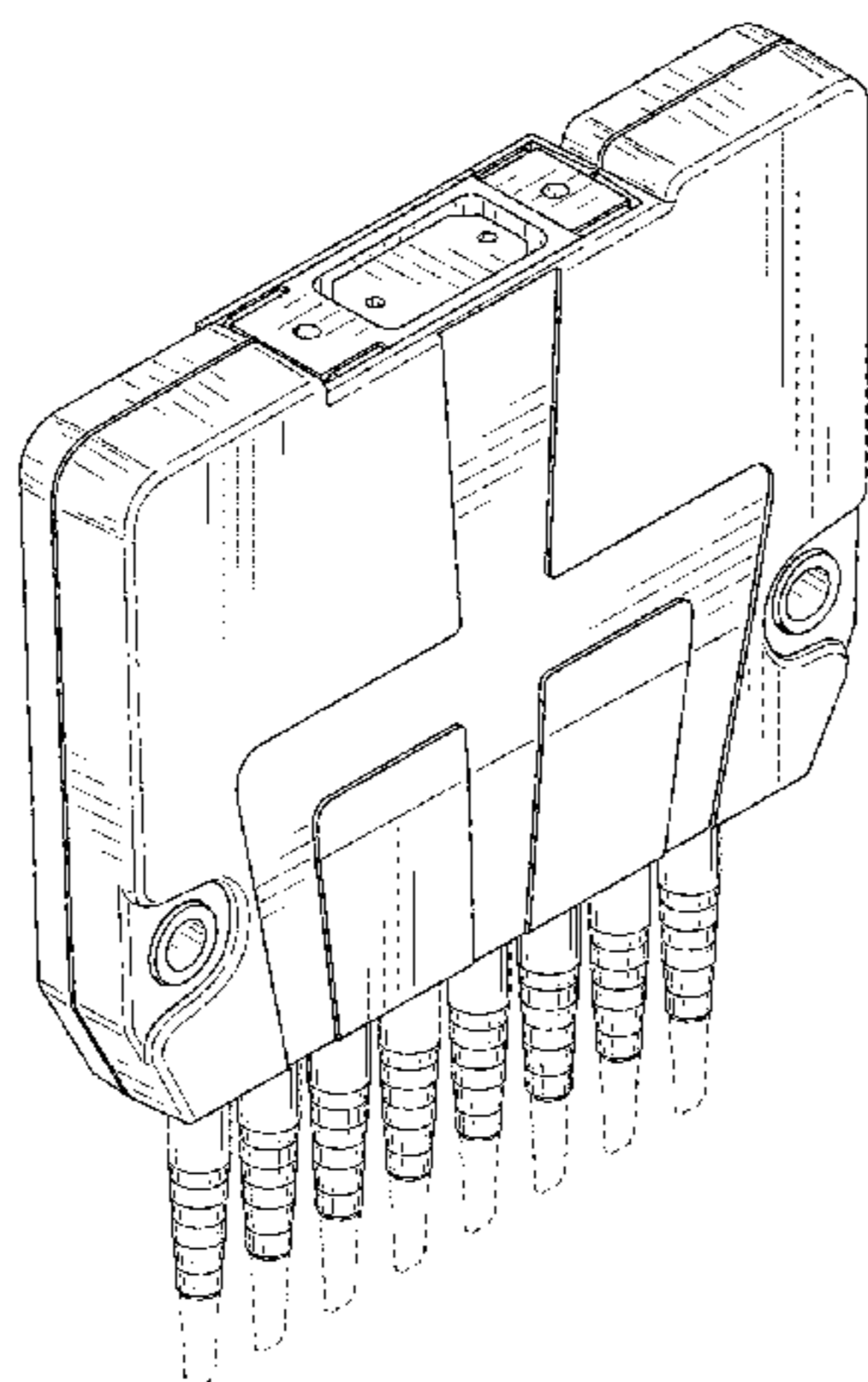
The broken lines are for the purpose of illustrating environmental structure and form no part of the claimed design.

(56) **References Cited**

U.S. PATENT DOCUMENTS

- 4,444,062 A * 4/1984 Bennett B01L 3/0217
422/501
- D279,710 S * 7/1985 Yonkers D24/222
- 4,779,467 A * 10/1988 Rainin B01L 3/0279
422/513
- 5,779,984 A * 7/1998 Kelly B65D 25/108
422/564
- 5,970,806 A * 10/1999 Telimaa B01L 3/0217
73/864.17
- 6,660,519 B2 * 12/2003 Hamilton B01L 3/5085
435/309.1

1 Claim, 8 Drawing Sheets



(56)

References Cited

U.S. PATENT DOCUMENTS

7,434,484 B2 *	10/2008	Belgardt	B01L 3/0279	73/864.14	2004/0099067 A1 *	5/2004	Chen	B01L 3/0227	73/863.32
D589,625 S *	3/2009	Alejos	D24/222		2006/0123929 A1 *	6/2006	Suovaniemi	B01L 3/0217	73/863.32
D596,755 S *	7/2009	Labak	D24/222		2006/0144169 A1 *	7/2006	Porat	B01L 3/021	73/864.14
D599,030 S *	8/2009	Cote	D24/222		2008/0184823 A1 *	8/2008	Kneucker	B01L 3/0217	73/864.16
D627,477 S *	11/2010	Guichardon	D24/222		2009/0064801 A1 *	3/2009	Roussel	B01L 3/0217	73/864.13
D627,478 S *	11/2010	Guichardon	D24/222		2009/0104079 A1 *	4/2009	O'Connell	B01L 3/0217	422/400
8,029,742 B2 *	10/2011	Butz	B01L 3/0217	422/521	2009/0117009 A1 *	5/2009	Cote	B01L 3/0227	422/400
8,201,466 B2 *	6/2012	Roussel	B01L 3/0217	73/863.32	2012/0121483 A1 *	5/2012	Pullinen	B01L 3/0217	422/525
9,339,811 B2 *	5/2016	Schmidt	B01L 3/0279		2014/0147349 A1 *	5/2014	Schmidt	B01L 3/0279	422/522
9,393,561 B2 *	7/2016	Link	B01L 3/0217		2014/0199216 A1 *	7/2014	Moriarty	B01L 3/0217	422/522
2001/0043885 A1 *	11/2001	Wanner	B01L 3/0231	73/863.32					

* cited by examiner

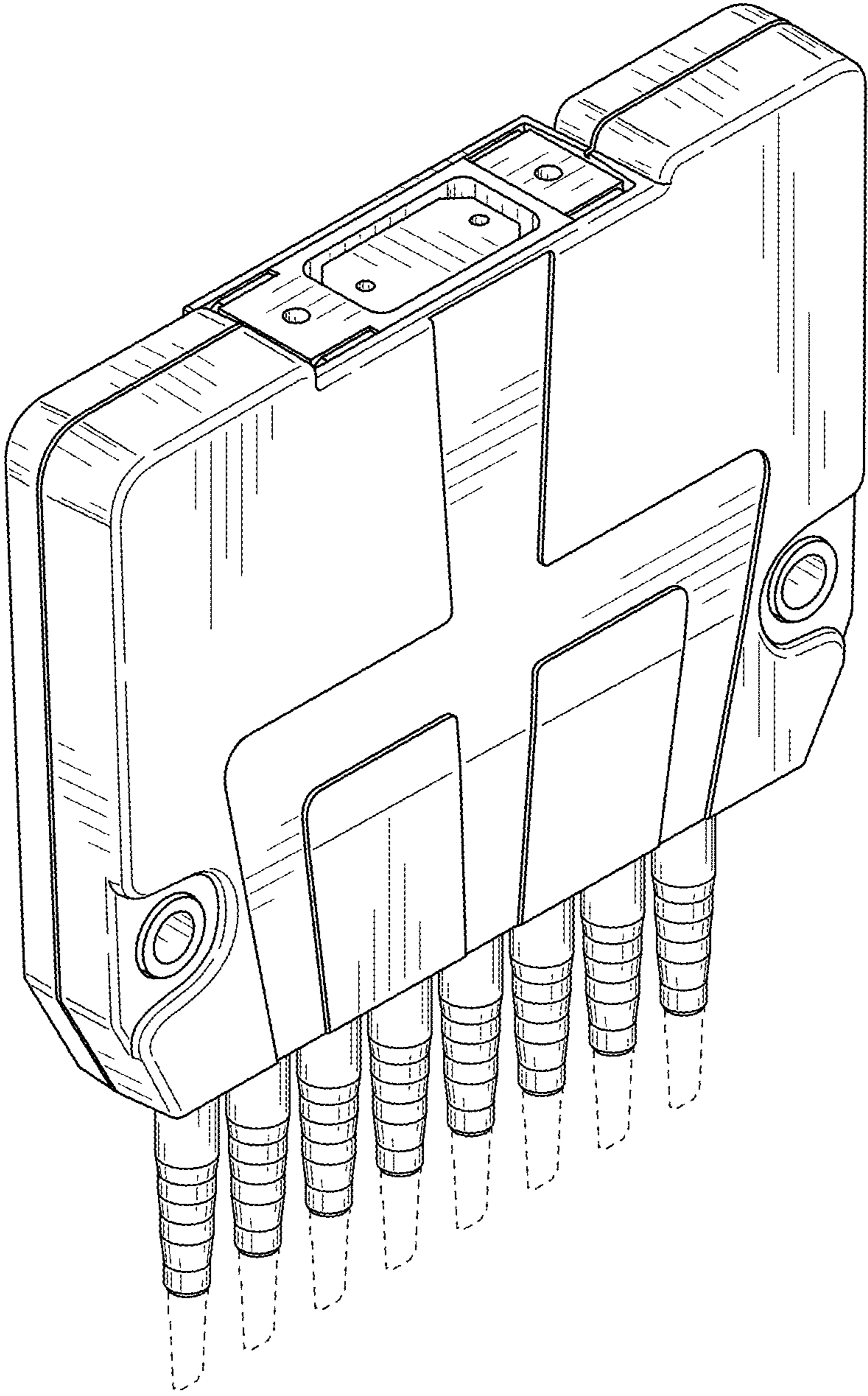


FIG. 1

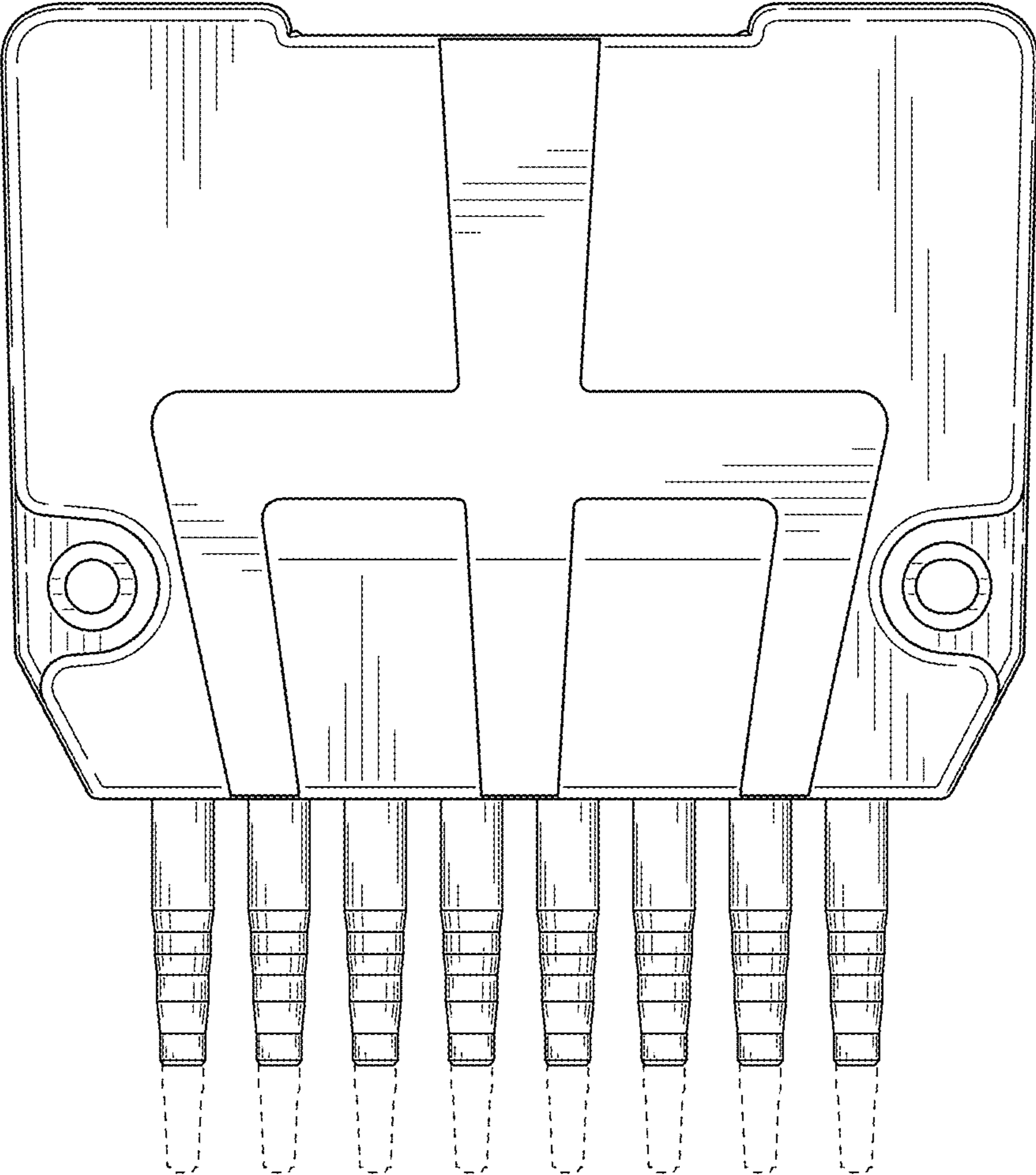


FIG. 2

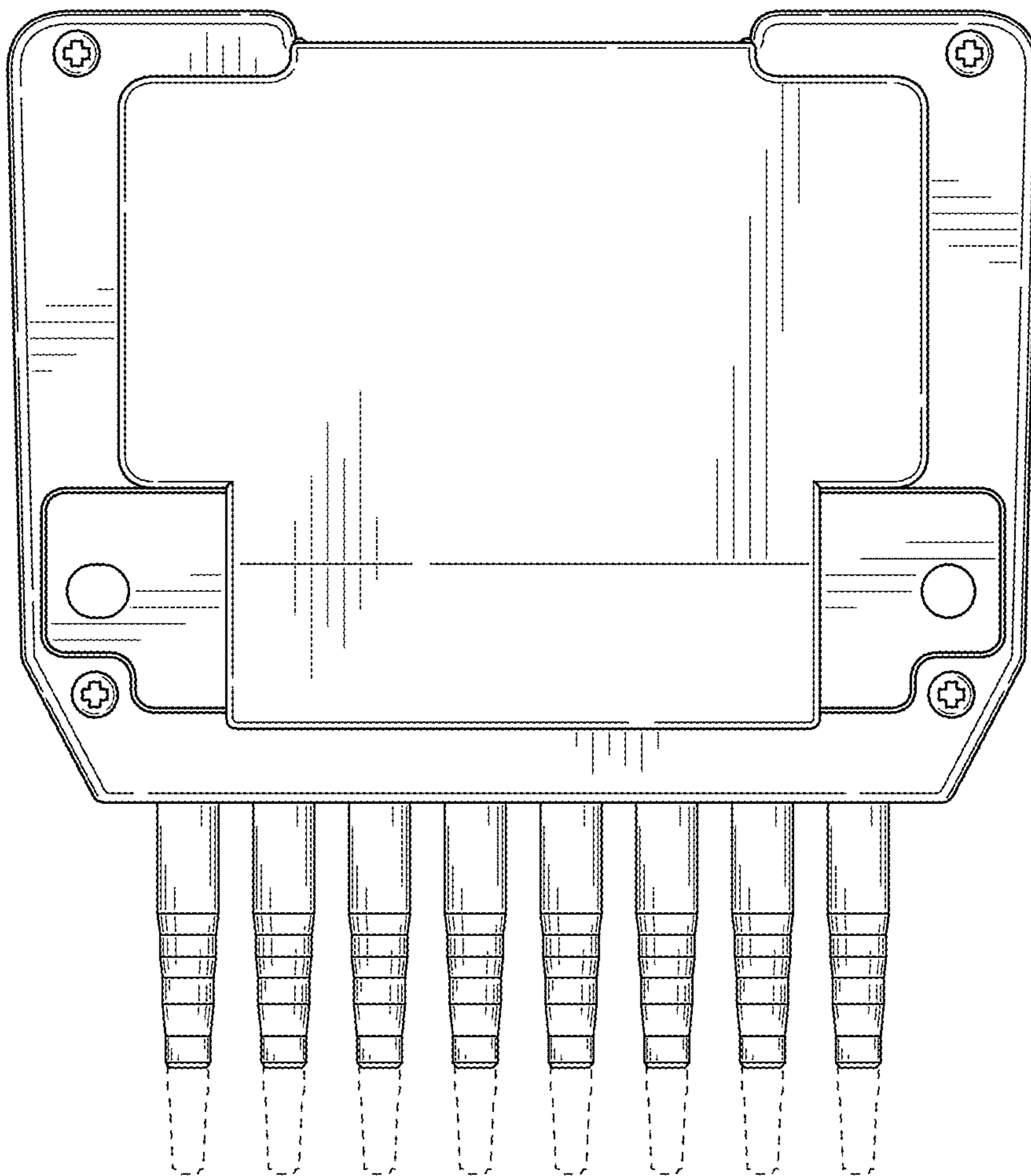


FIG. 3

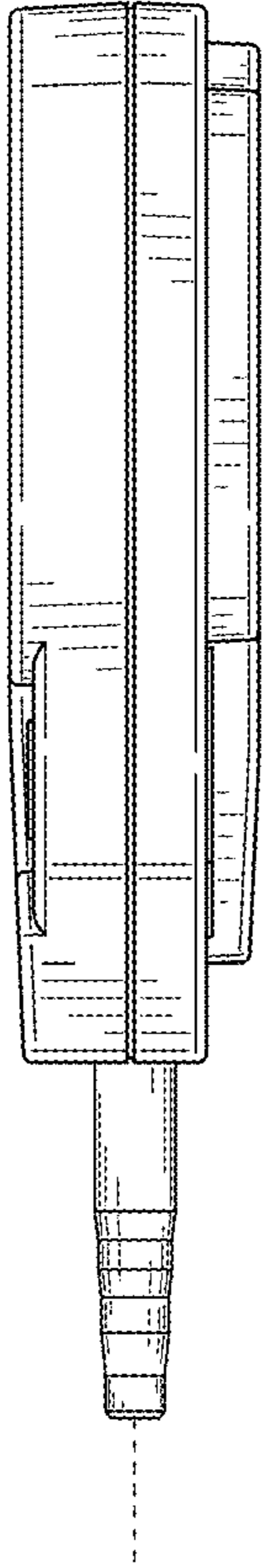


FIG. 4

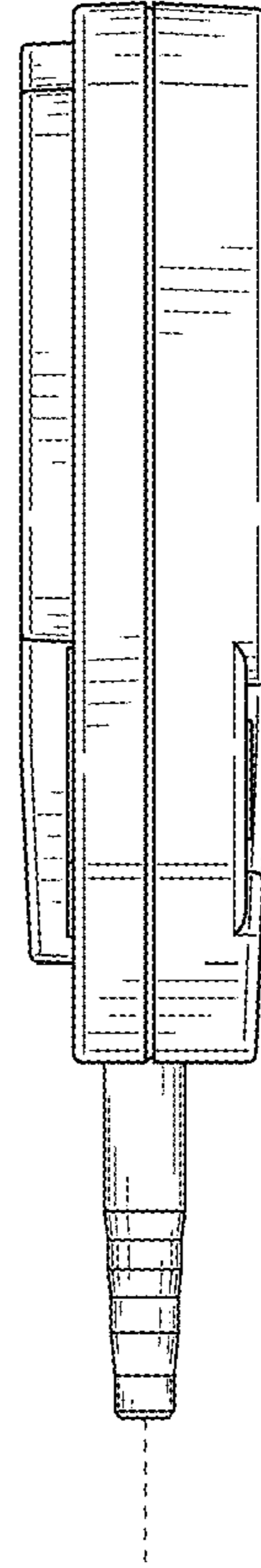


FIG. 5

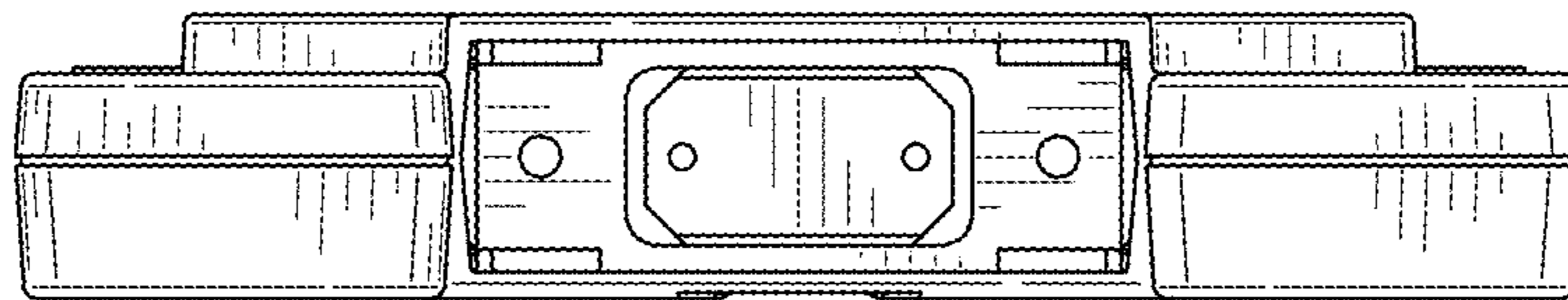


FIG. 6

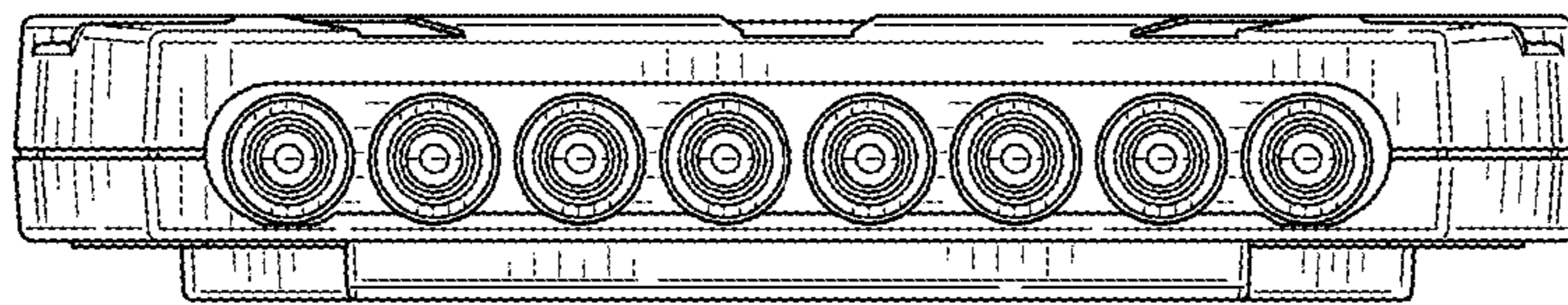


FIG. 7

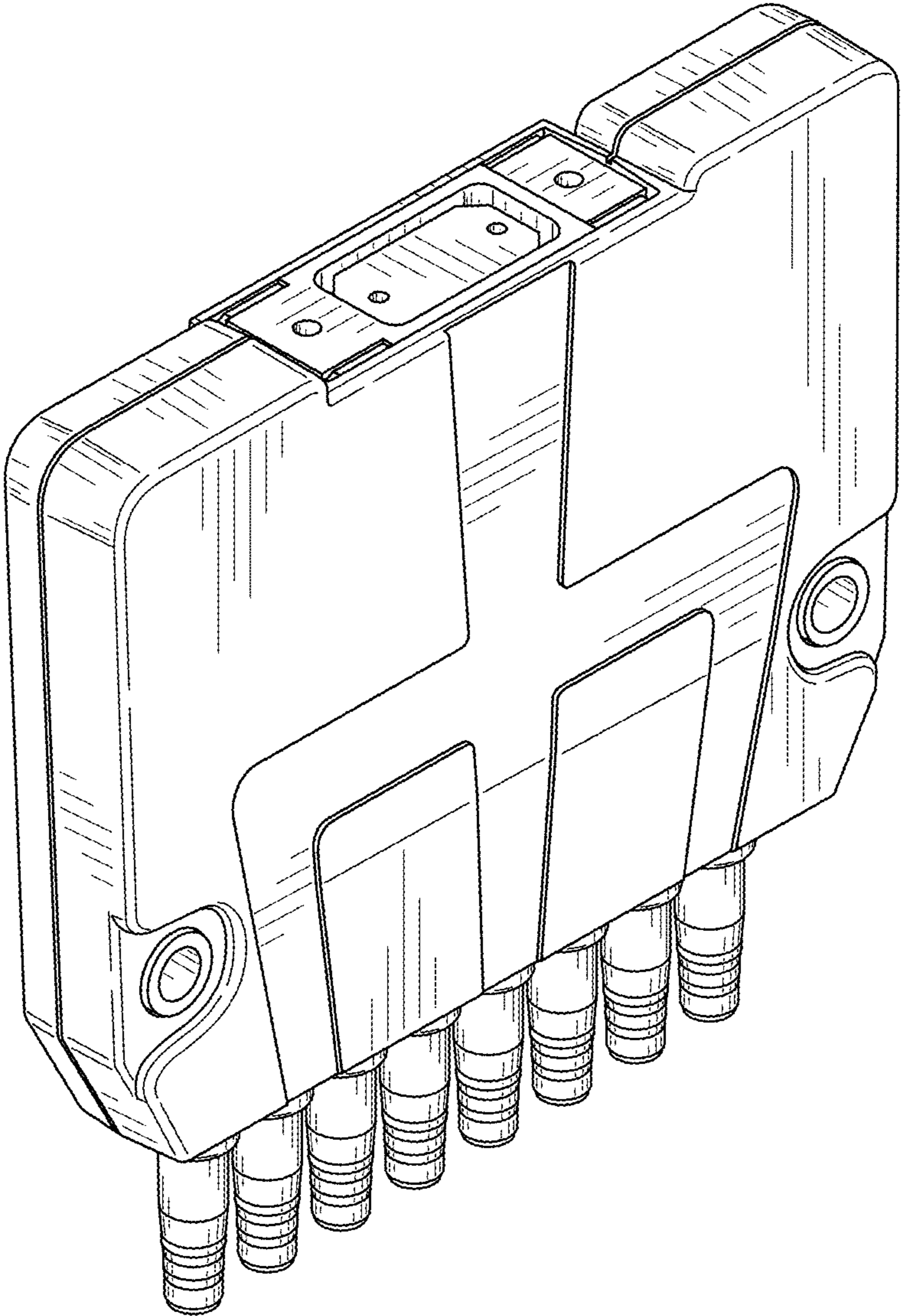


FIG. 8

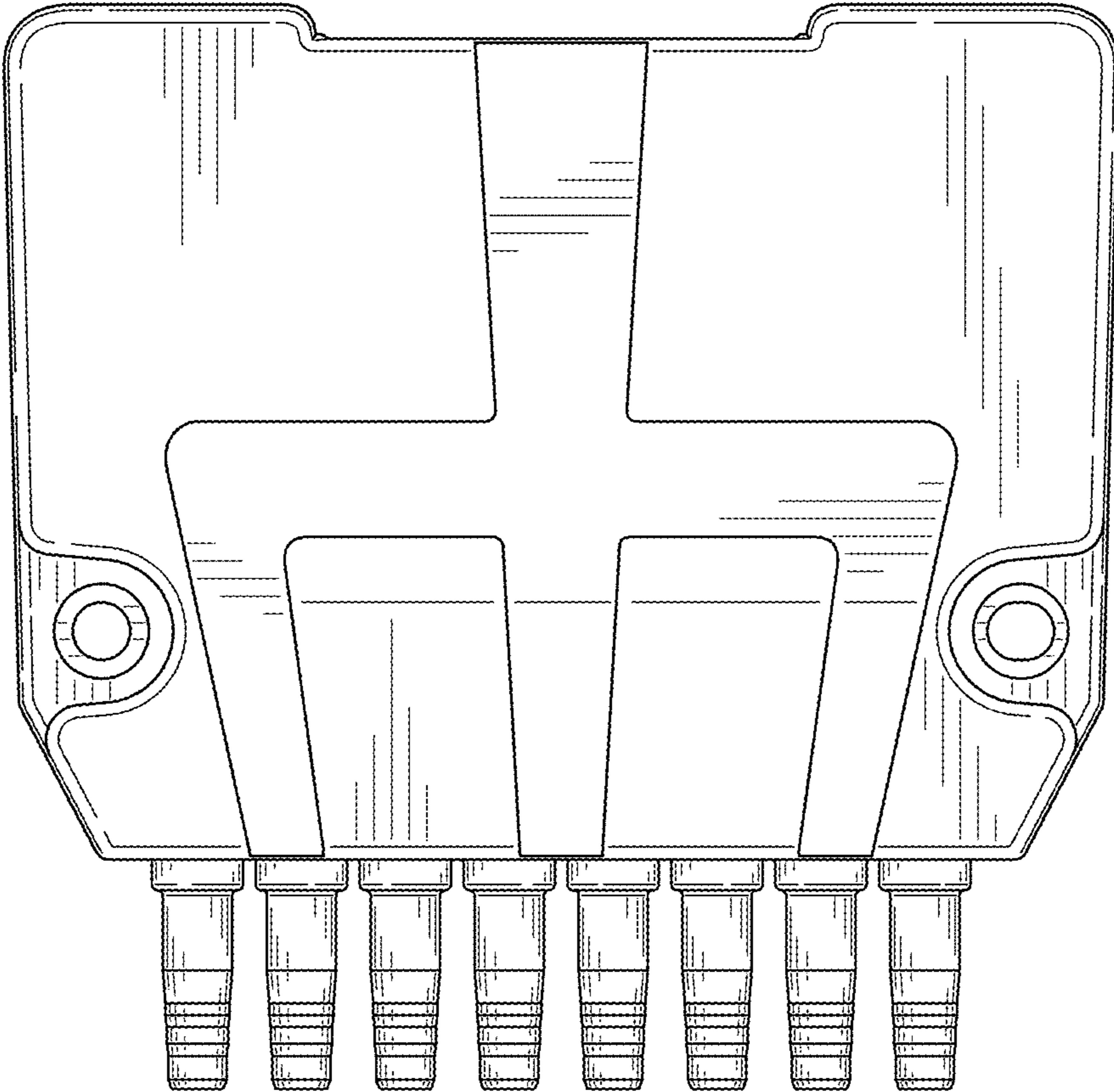


FIG. 9

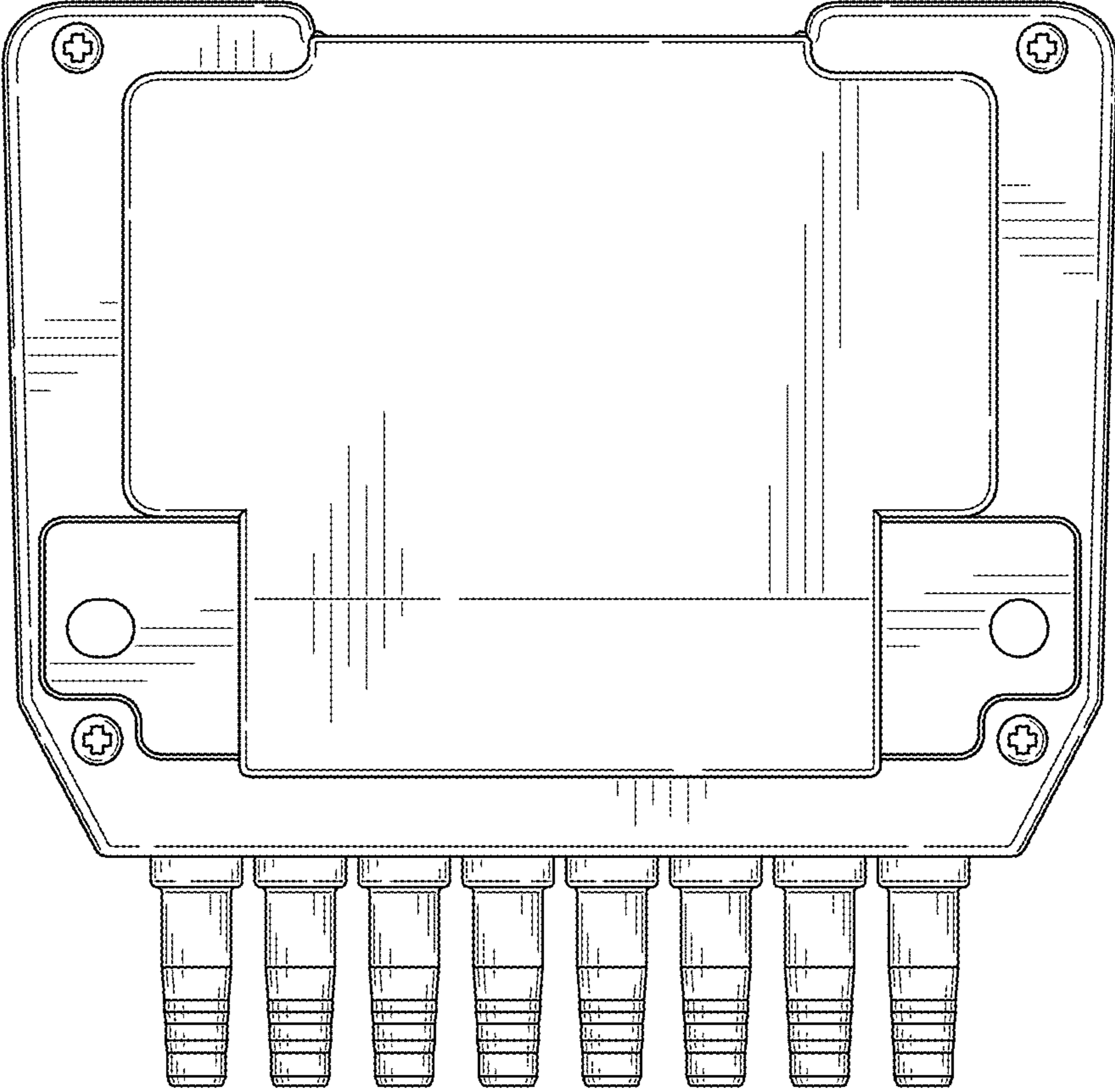


FIG. 10

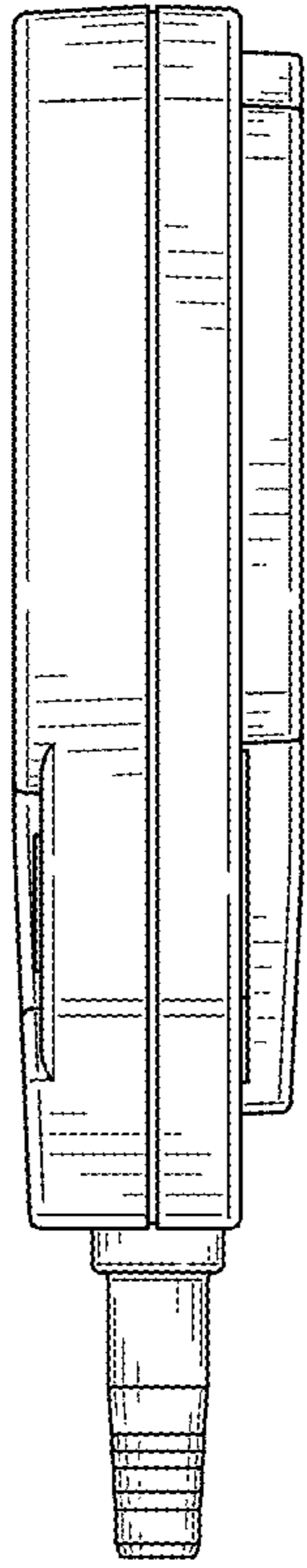


FIG. 11

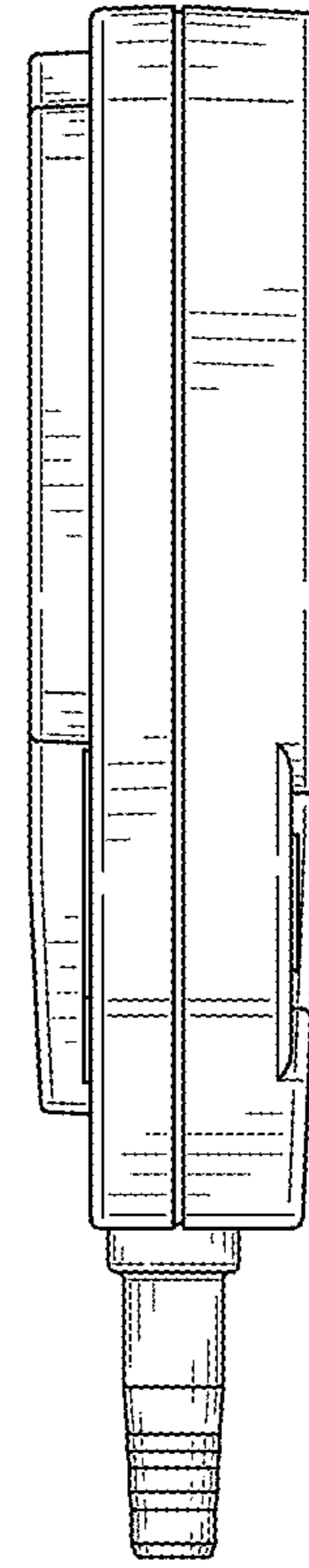


FIG. 12

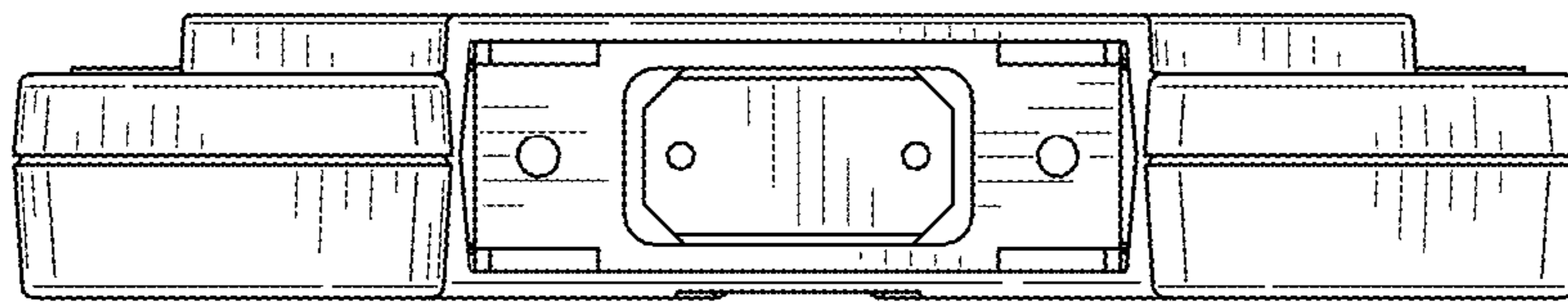


FIG. 13

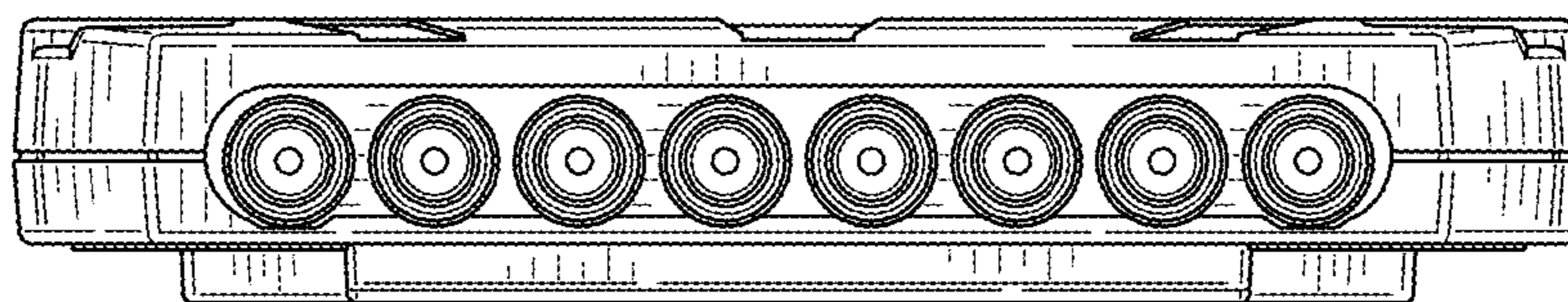


FIG. 14