



US00D772419S

(12) **United States Design Patent** (10) **Patent No.:** **US D772,419 S**
Courtion et al. (45) **Date of Patent:** **** Nov. 22, 2016**

(54) **REJUVENATING MASSAGE DEVICE**

(71) Applicant: **Joylux, Inc.**, Seattle, WA (US)

(72) Inventors: **Colette Courtion**, Seattle, WA (US);
Nicolas Loebel, Woodinville, WA (US);
Roger Andersen, Ladysmith (CA);
Kevin Bailey, Ottawa (CA); **Matthew Bailey**, Ottawa (CA); **Yana Klimava**,
Gatineau (CA)

(73) Assignee: **Joylux, Inc.**, Seattle, WA (US)

(**) Term: **15 Years**

(21) Appl. No.: **29/532,142**

(22) Filed: **Jul. 1, 2015**

(51) **LOC (10) Cl.** **28-03**

(52) **U.S. Cl.**
USPC **D24/200; D24/215**

(58) **Field of Classification Search**
USPC D24/200, 209, 214–215, 206
CPC A61H 7/00; A61H 7/001; A61H 7/003;
A61H 7/005; A61H 7/007; A61H 7/008;
A61H 19/00; A61H 19/40; A61H 23/00;
A61H 23/06; A61H 2205/087; A61F
2007/0048; A61F 2007/005; A61F 7/00
See application file for complete search history.

(56) **References Cited**

U.S. PATENT DOCUMENTS

D509,301 S *	9/2005	Talbot	D24/215
D523,963 S *	6/2006	Telford	D24/215
D613,417 S *	4/2010	Imboden	D24/215
D706,440 S *	6/2014	Hahr	D24/215
2011/0098613 A1 *	4/2011	Thomas	A61H 7/005 601/46
2015/0133832 A1	5/2015	Courtion et al.		
2016/0074276 A1 *	3/2016	Scheuring	A61H 19/40 600/479

OTHER PUBLICATIONS

Australian Government, IP Australia, Design Examination Report No. 1, Australian Application No. 201517141, May 5, 2016, four pages.

Australian Government, IP Australia, Examination Report No. 2, Australian Patent Application No. 201517141, Oct. 5, 2016, three pages.

* cited by examiner

Primary Examiner — Wan Laymon

(74) *Attorney, Agent, or Firm* — Fenwick & West LLP

(57) **CLAIM**

The ornamental design for a rejuvenating massage device, as shown and described.

DESCRIPTION

FIG. 1 is a front, top, and right side perspective view of a rejuvenating massage device according to a first embodiment;

FIG. 2 is a bottom plan view thereof;

FIG. 3 is a top plan view thereof;

FIG. 4 is a right side elevational view thereof;

FIG. 5 is a left side elevational view thereof;

FIG. 6 is a front elevational view thereof;

FIG. 7 is a back elevational view thereof;

FIG. 8 is a front, top, and right side perspective view of the rejuvenating massage device with a sleeve according to the first embodiment;

FIG. 9 is a front, top, and right side perspective view of a rejuvenating massage device according to a second embodiment;

FIG. 10 is a bottom plan view thereof;

FIG. 11 is a top plan view thereof;

FIG. 12 is a right side elevational view thereof;

FIG. 13 is a left side elevational view thereof;

FIG. 14 is a front elevational view thereof;

FIG. 15 is a back elevational view thereof;

FIG. 16 is a front, top, and right side perspective view of the rejuvenating massage device with a sleeve according to the second embodiment;

FIG. 17 is a front, top, and right side perspective view of a rejuvenating massage device according to a third embodiment;

FIG. 18 is a bottom plan view thereof;

FIG. 19 is a top plan view thereof;

FIG. 20 is a right side elevational view thereof;

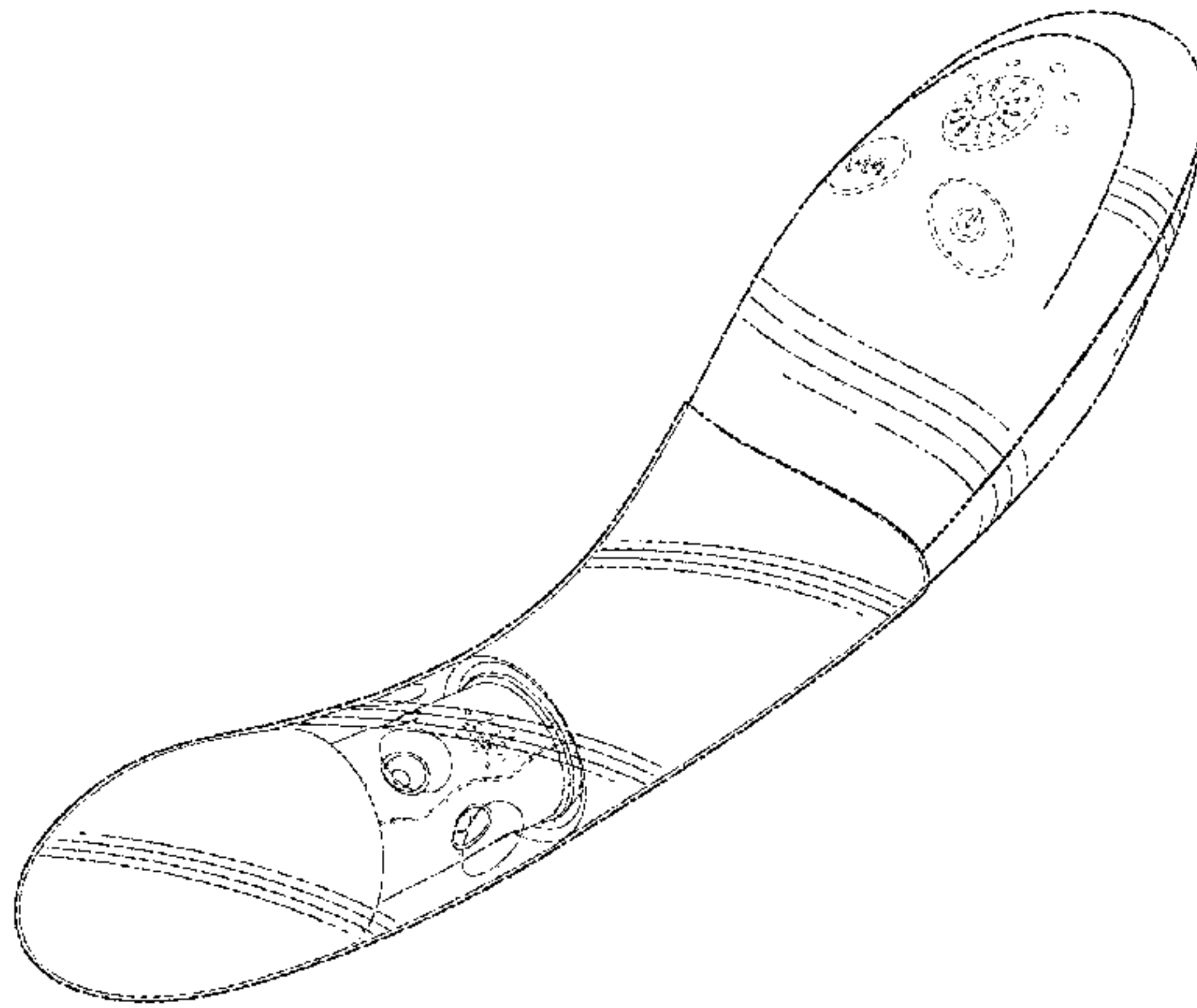
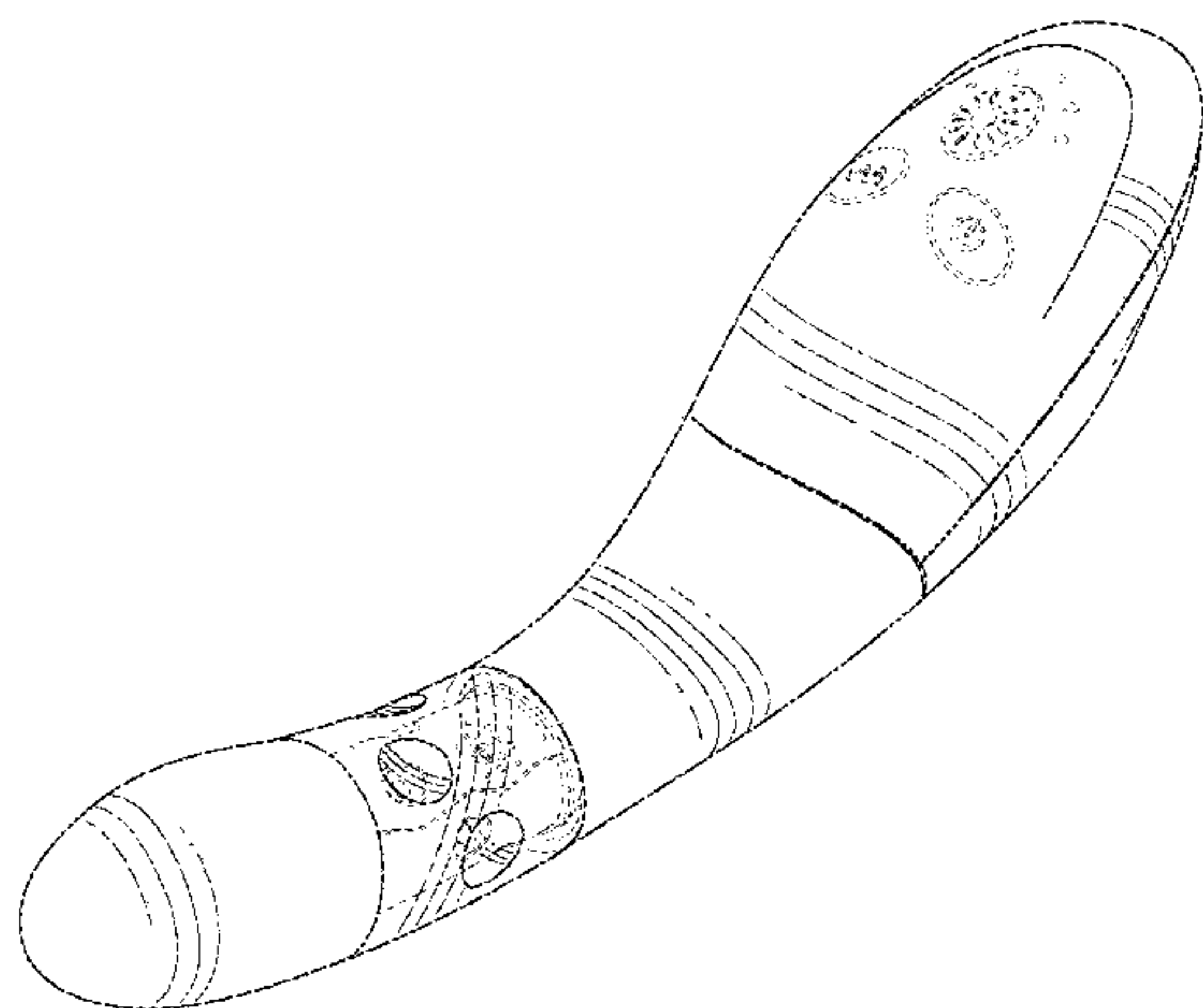


FIG. 21 is a left side elevational view thereof;
FIG. 22 is a front elevational view thereof;
FIG. 23 is a back elevational view thereof;
FIG. 24 is a front, top, and right side perspective view of the rejuvenating massage device with a sleeve according to the third embodiment;
FIG. 25 is a front, top, and right side perspective view of a rejuvenating massage device according to a fourth embodiment;
FIG. 26 is a bottom plan view thereof;
FIG. 27 is a top plan view thereof;
FIG. 28 is a right side elevational view thereof;
FIG. 29 is a left side elevational view thereof;
FIG. 30 is a front elevational view thereof;
FIG. 31 is a back elevational view thereof;
FIG. 32 is a front, top, and right side perspective view of a rejuvenating massage device according to a fifth embodiment;
FIG. 33 is a bottom plan view thereof;

FIG. 34 is a top plan view thereof;
FIG. 35 is a right side elevational view thereof;
FIG. 36 is a left side elevational view thereof;
FIG. 37 is a front elevational view thereof;
FIG. 38 is a back elevational view thereof;
FIG. 39 is a front, top, and right side perspective view of a rejuvenating massage device according to a sixth embodiment;
FIG. 40 is a bottom plan view thereof;
FIG. 41 is a top plan view thereof;
FIG. 42 is a right side elevational view thereof;
FIG. 43 is a left side elevational view thereof;
FIG. 44 is a front elevational view thereof; and,
FIG. 45 is a back elevational view thereof.
The broken lines in the drawings showing portions of the rejuvenating massage device are included for the purpose of illustrating environmental structure and form no part of the claimed design.

1 Claim, 45 Drawing Sheets

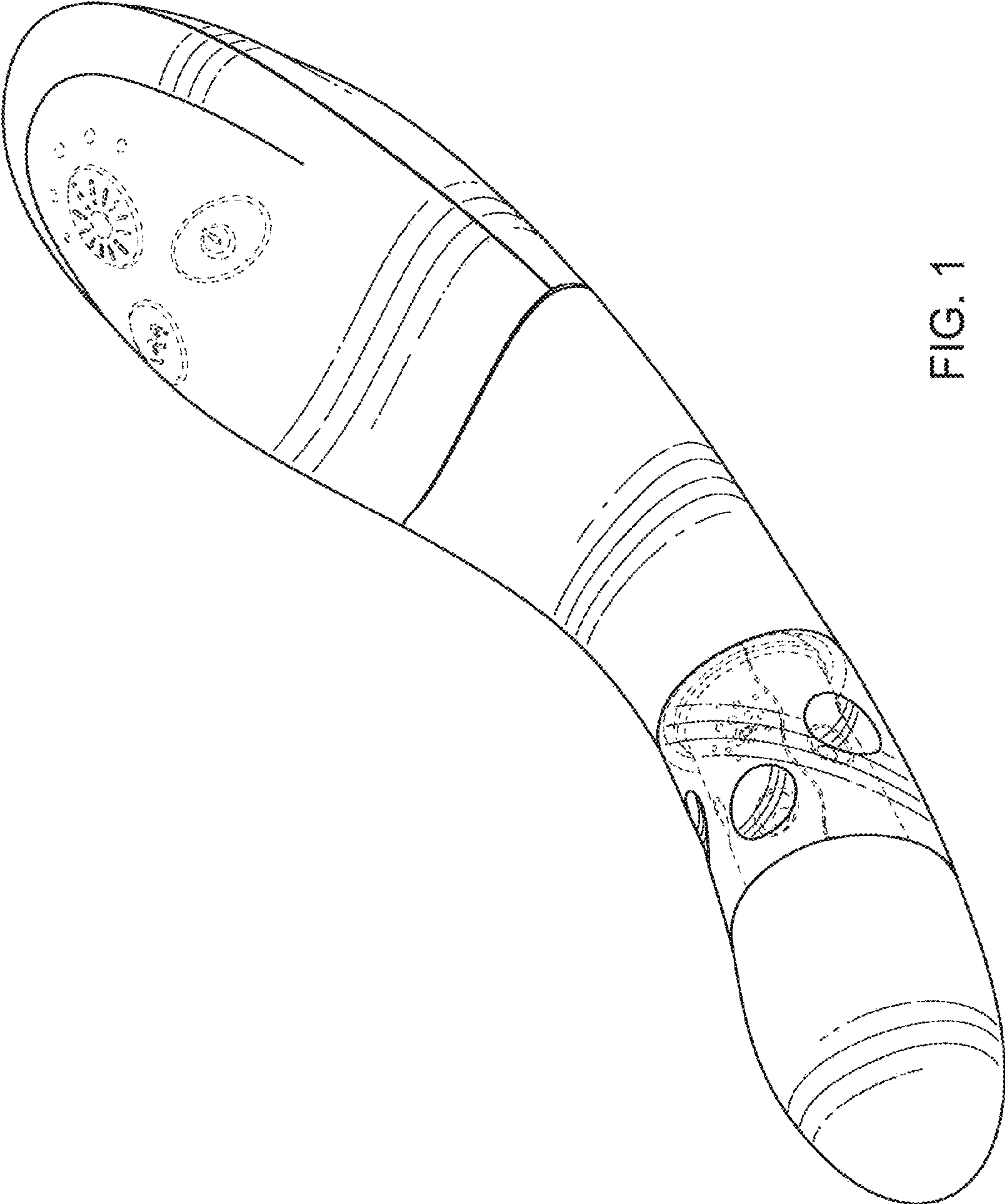


FIG. 1

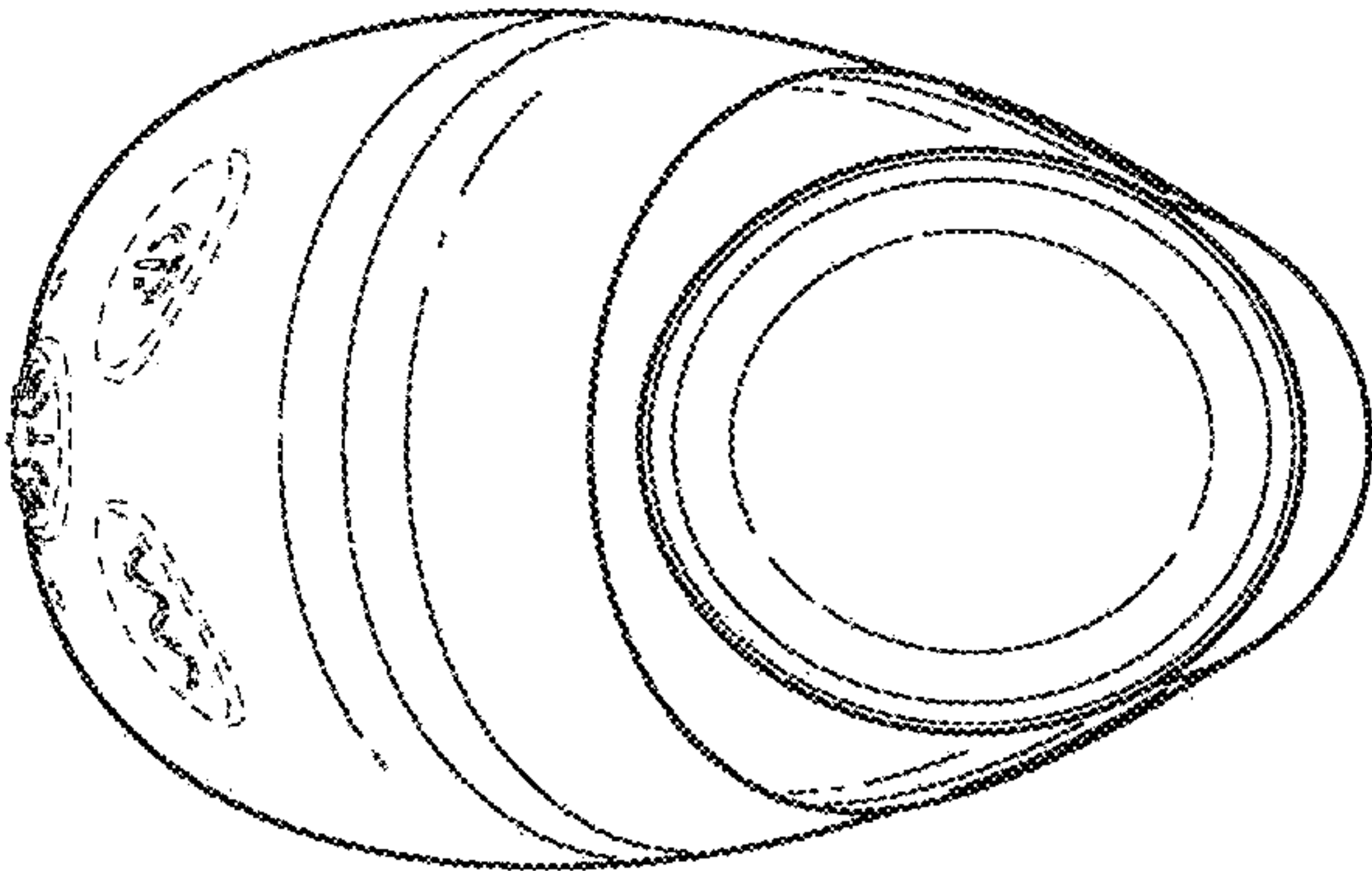


FIG. 2

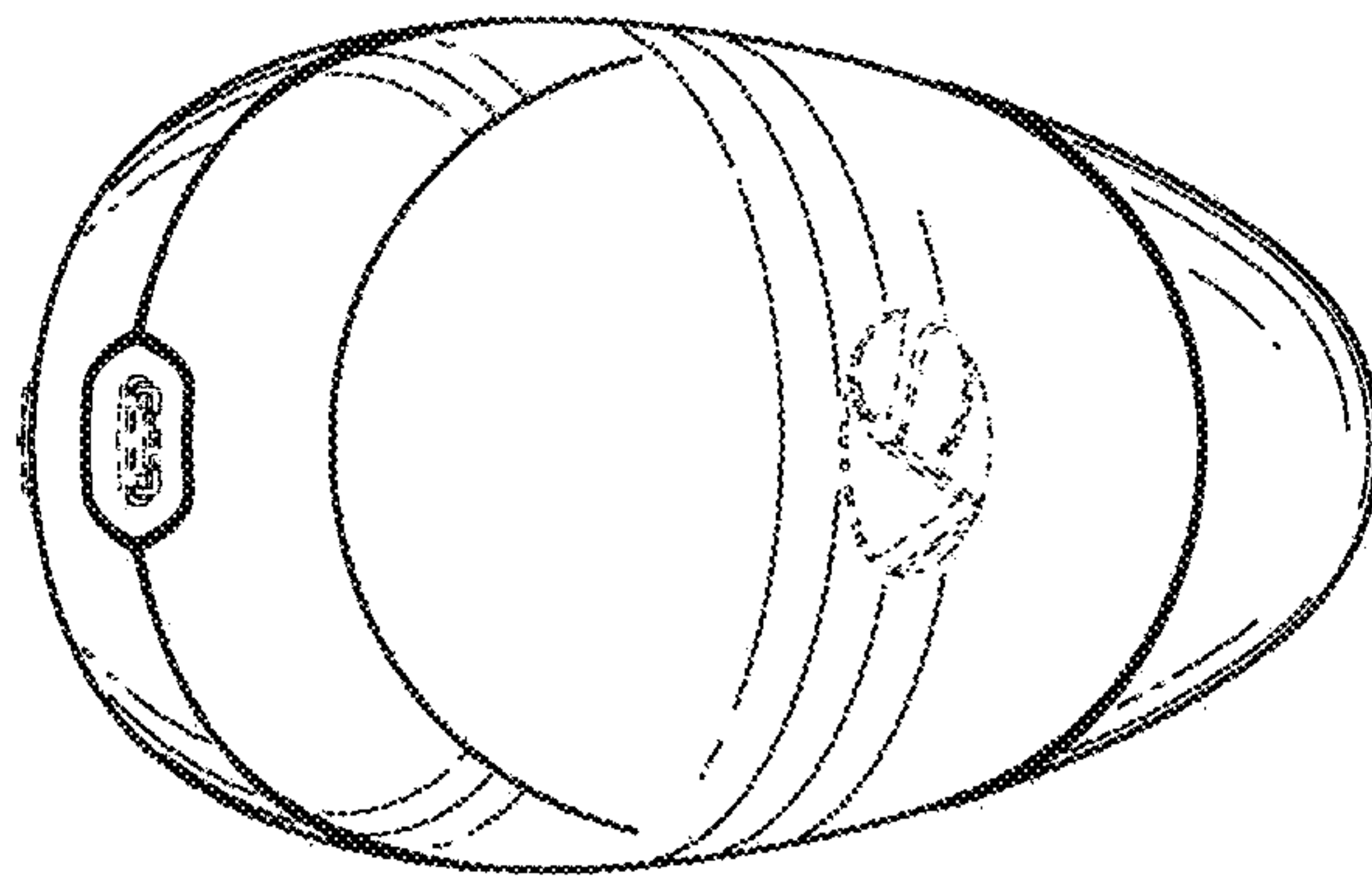


FIG. 3

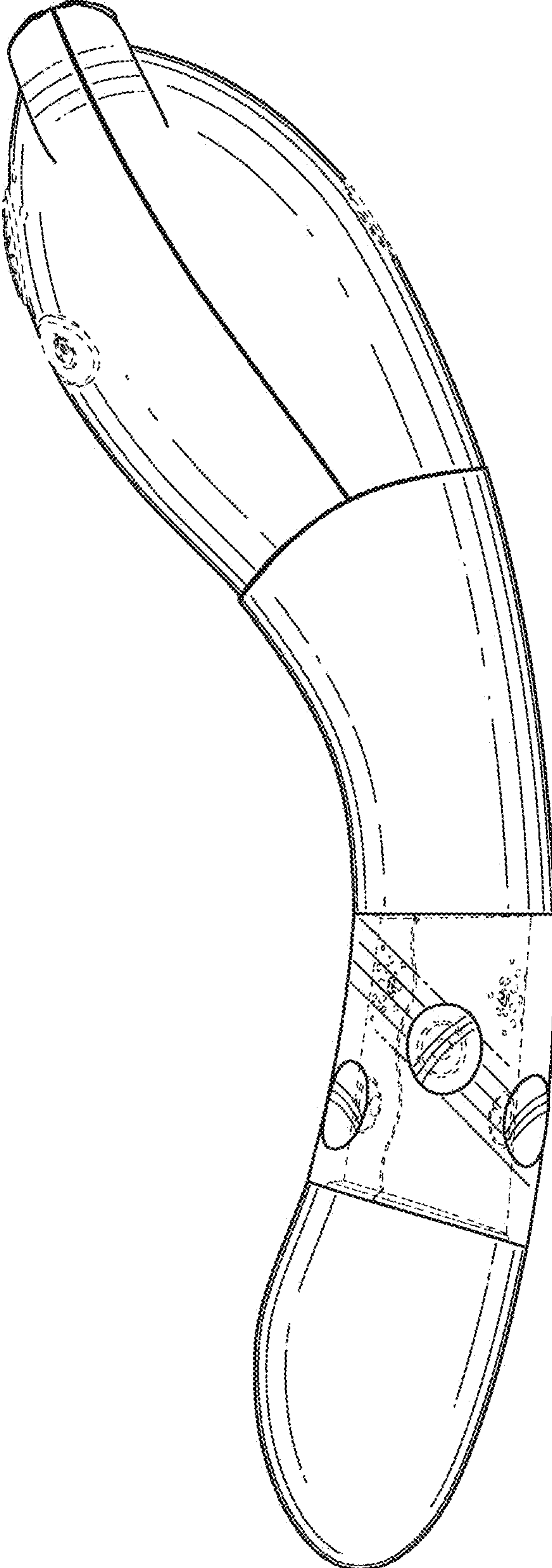


FIG. 4

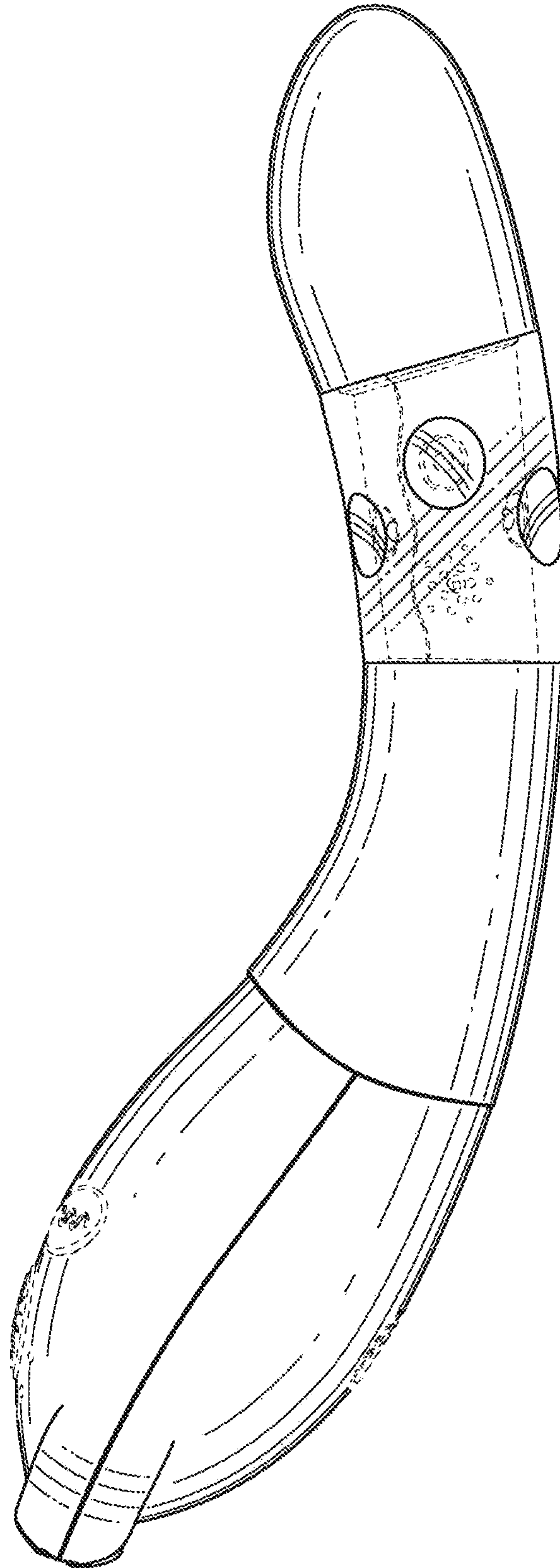


FIG. 5

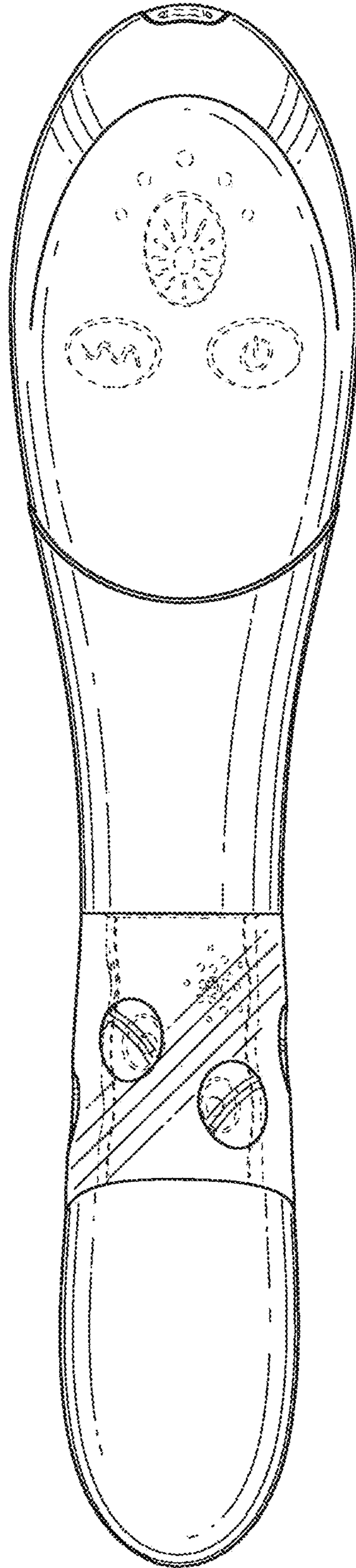


FIG. 6

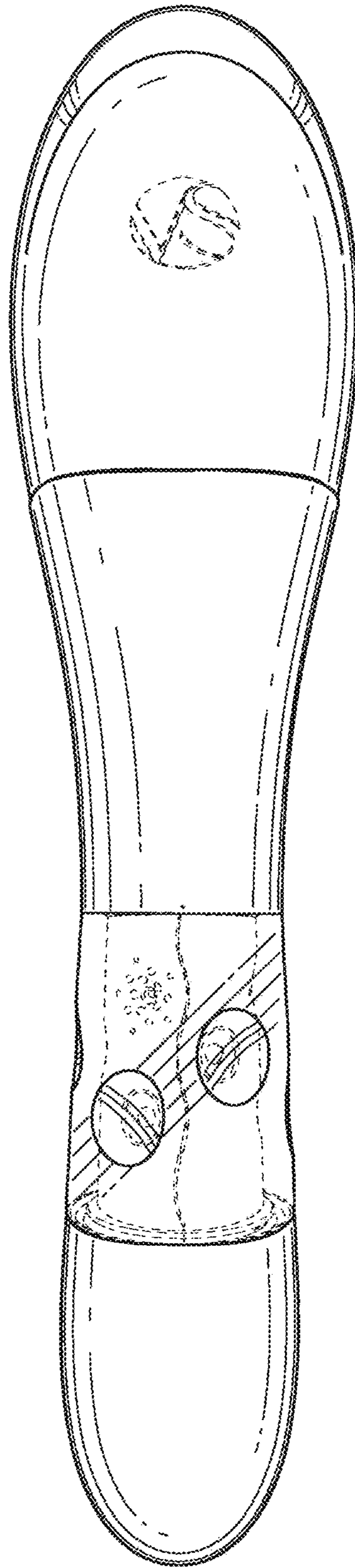


FIG. 7

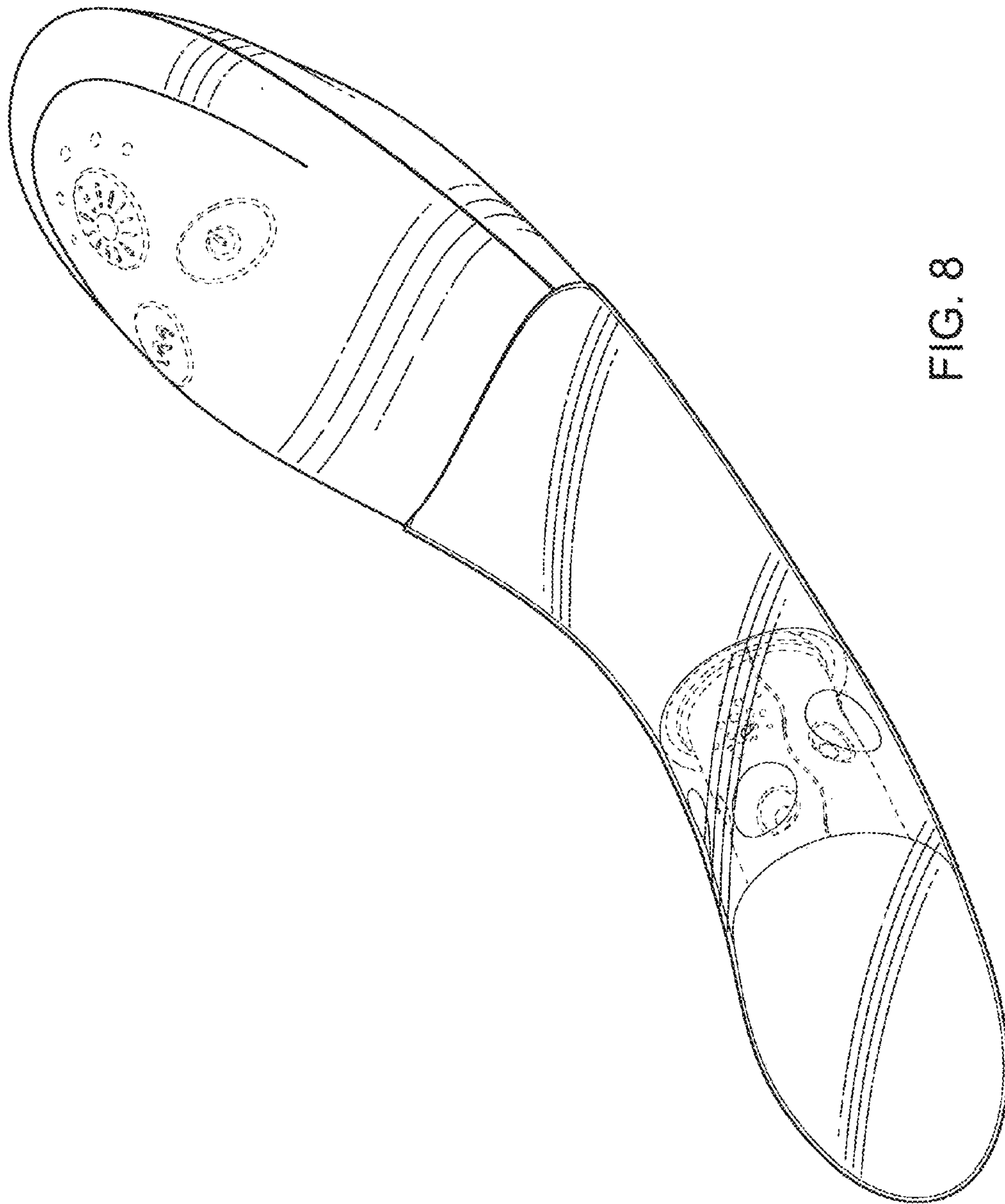


FIG. 8

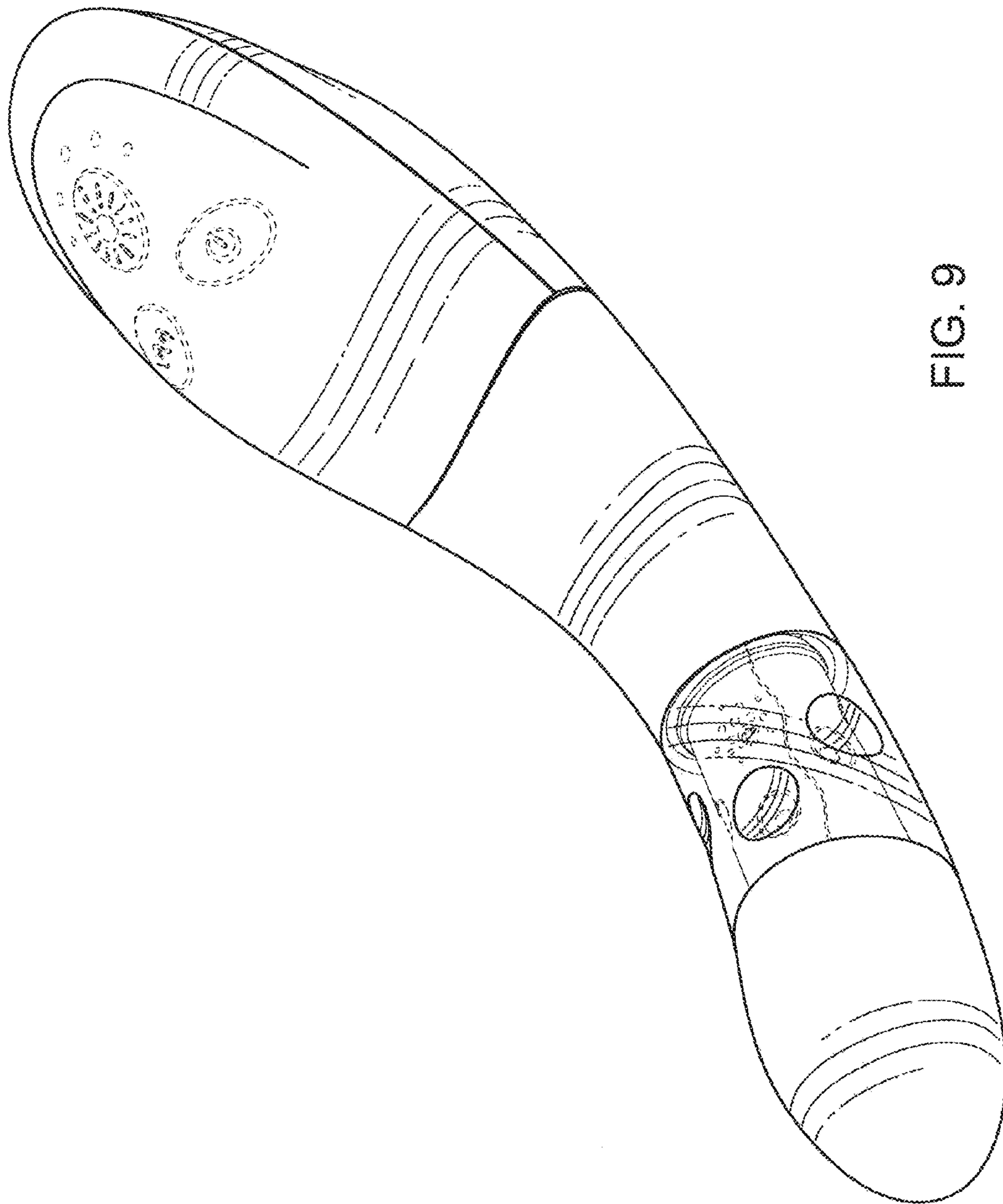


FIG. 9

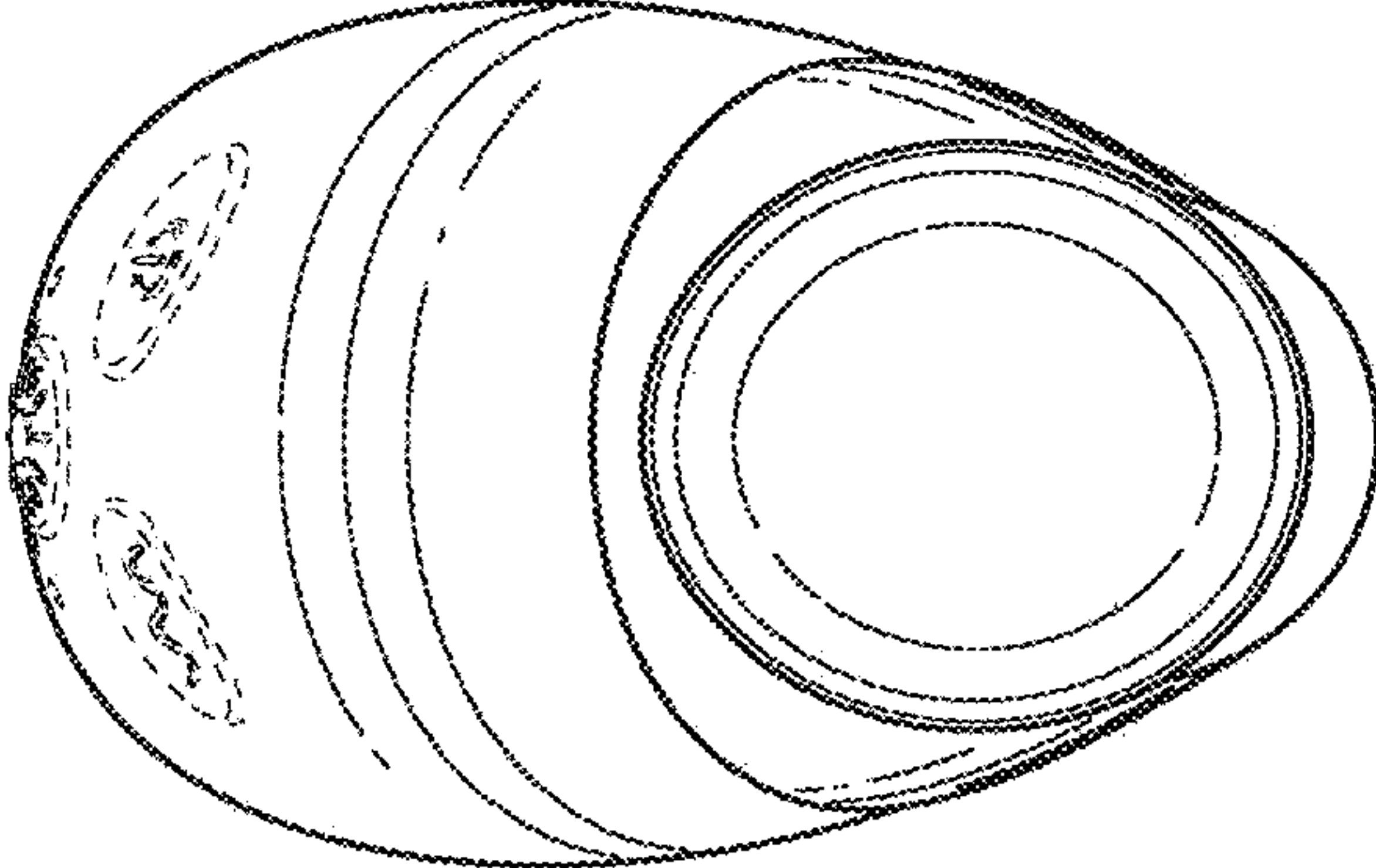


FIG. 10

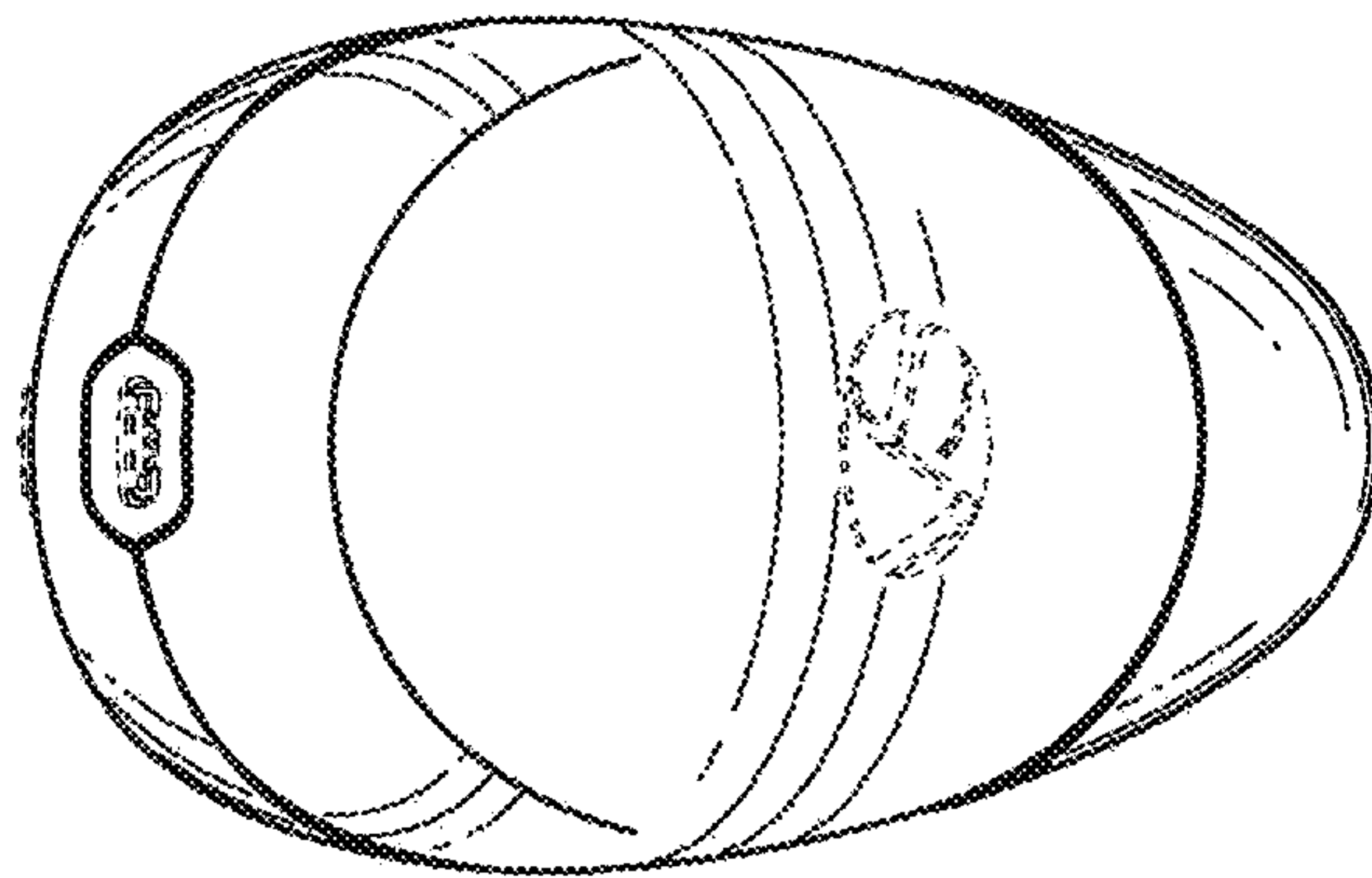


FIG. 11

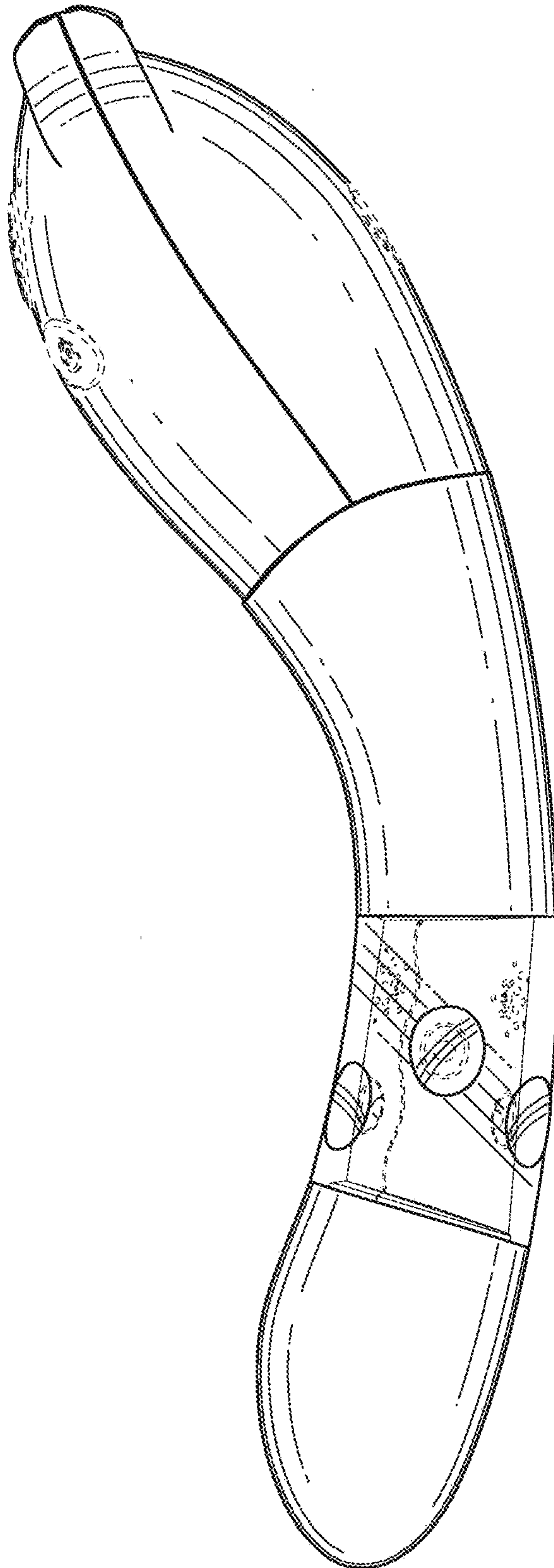


FIG. 12

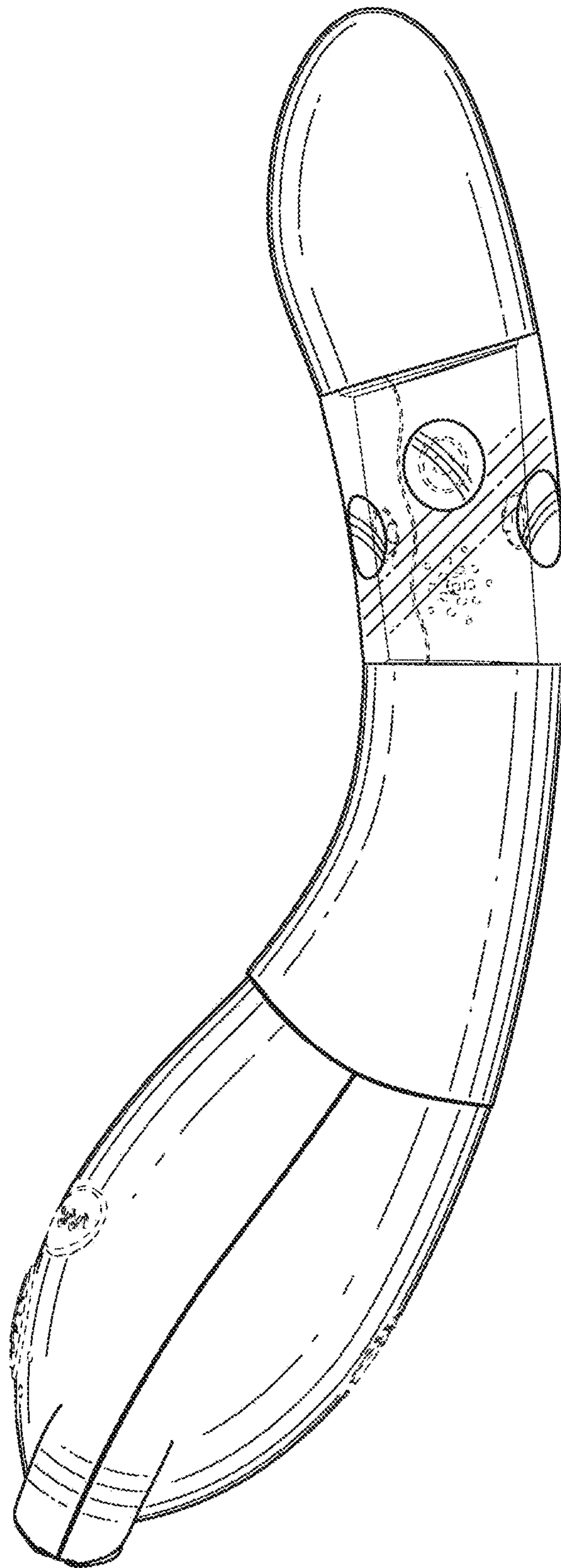


FIG. 13

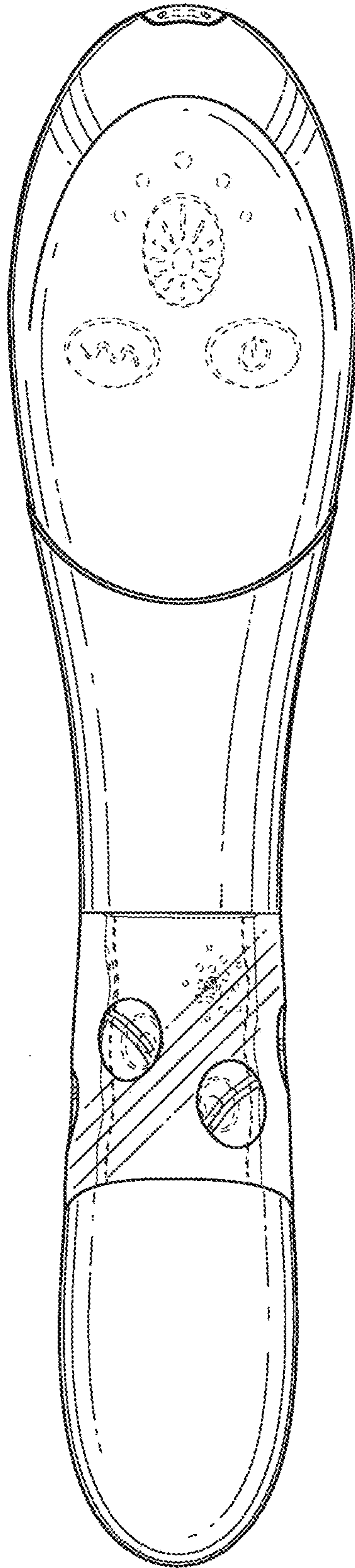


FIG. 14

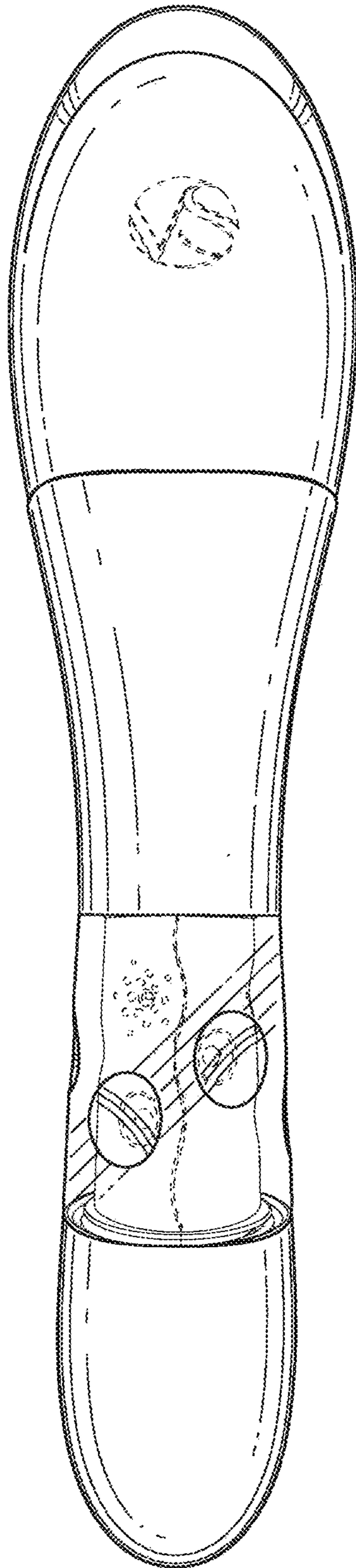


FIG. 15

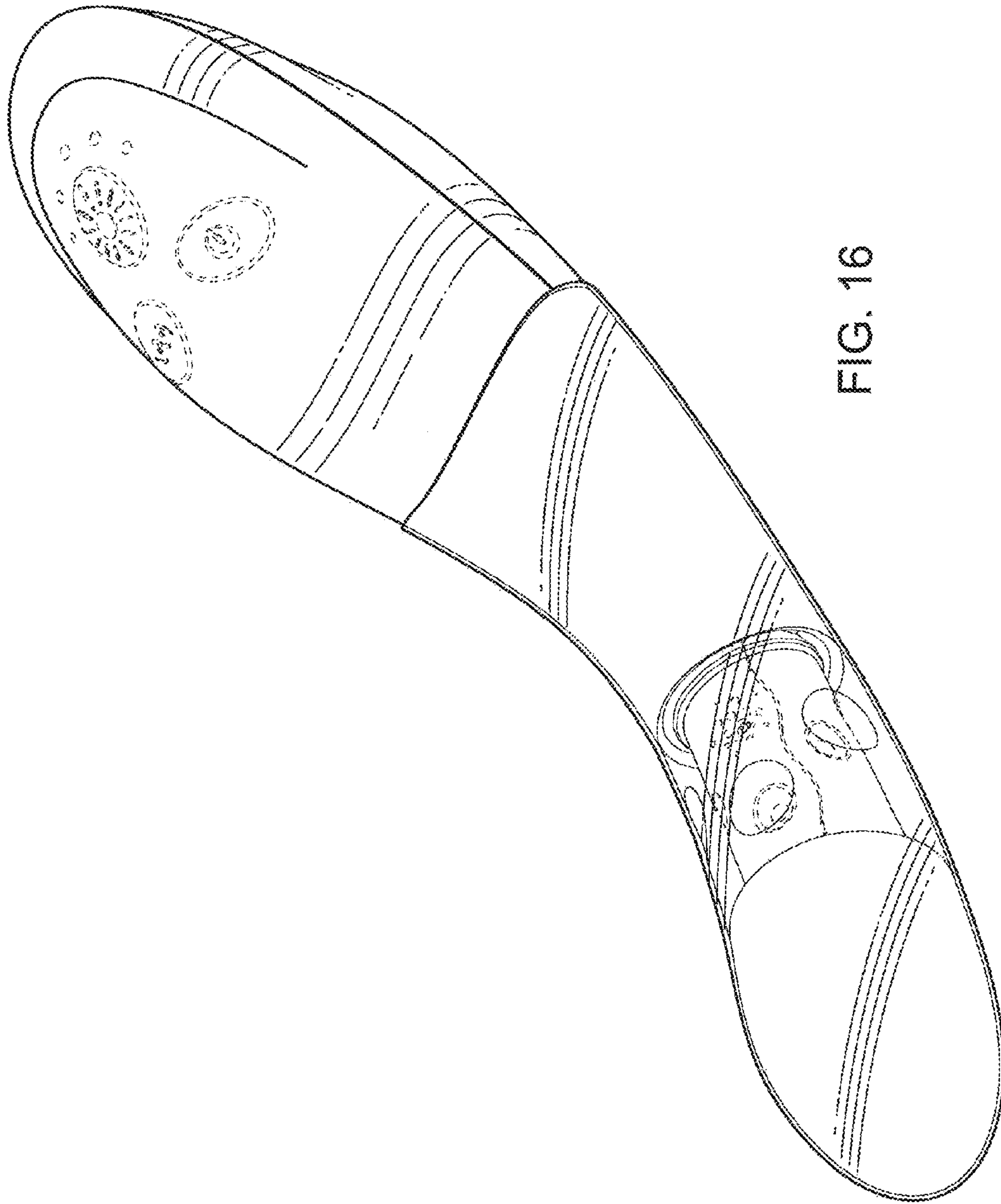


FIG. 16

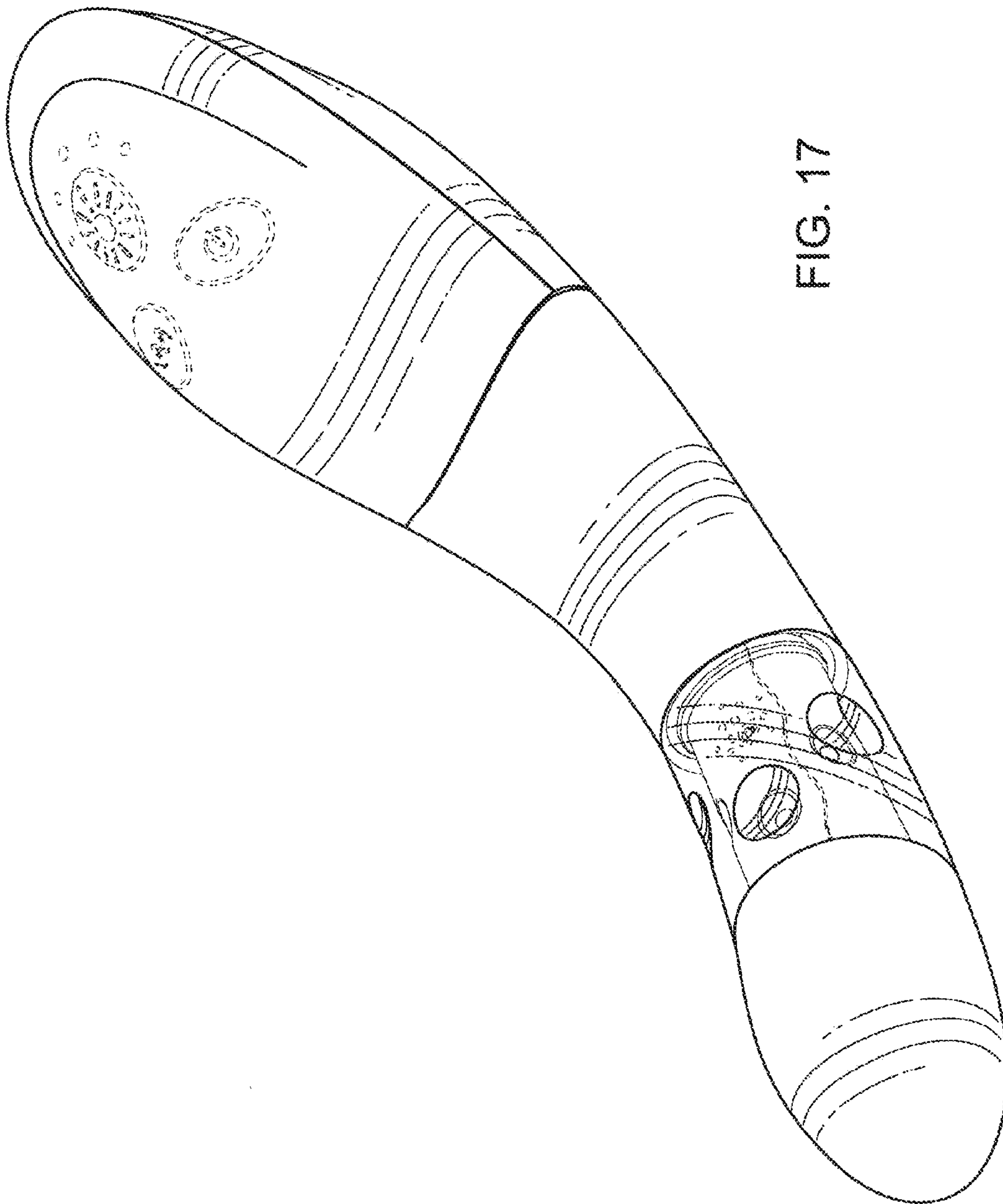


FIG. 17

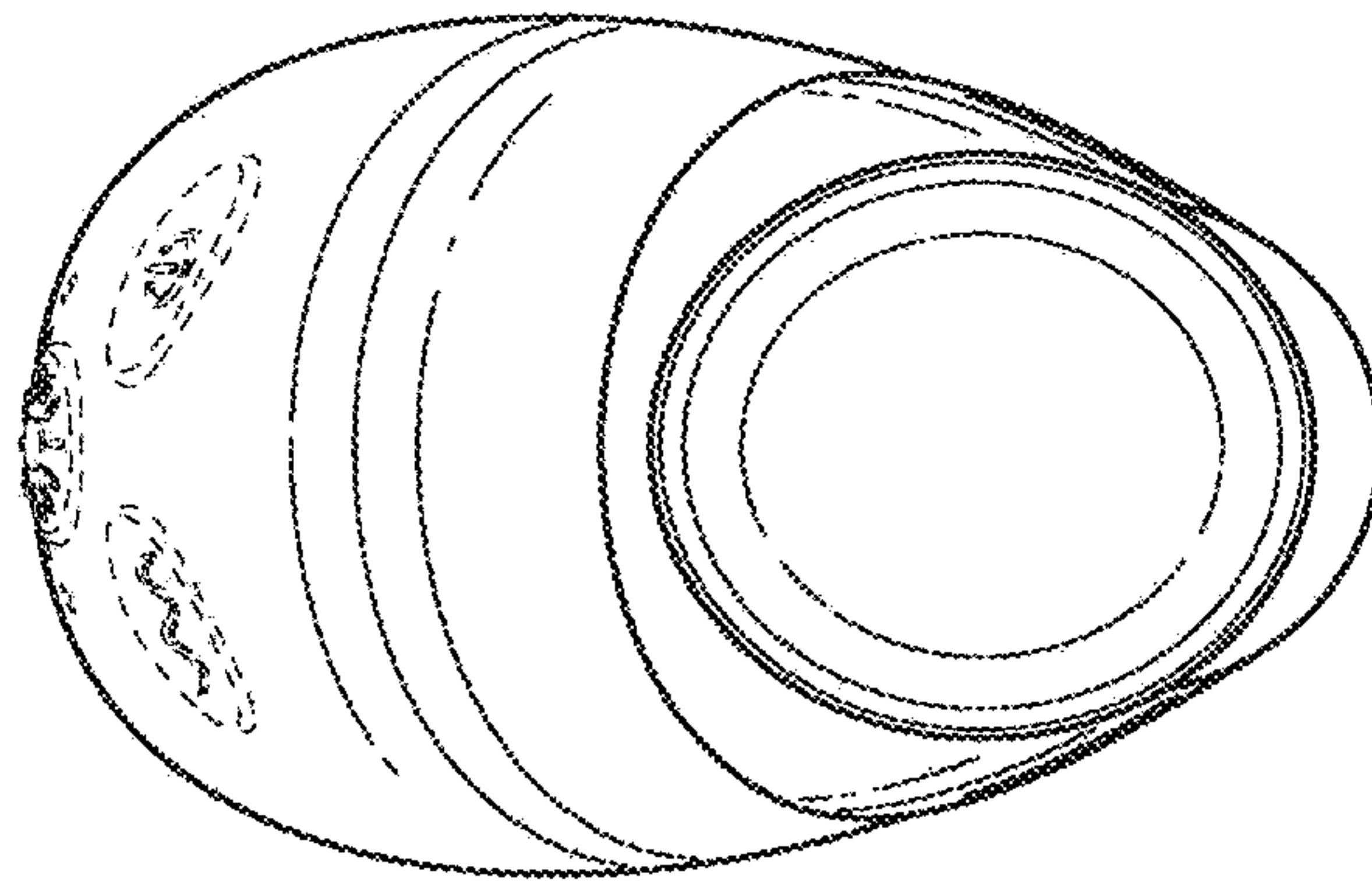


FIG. 18

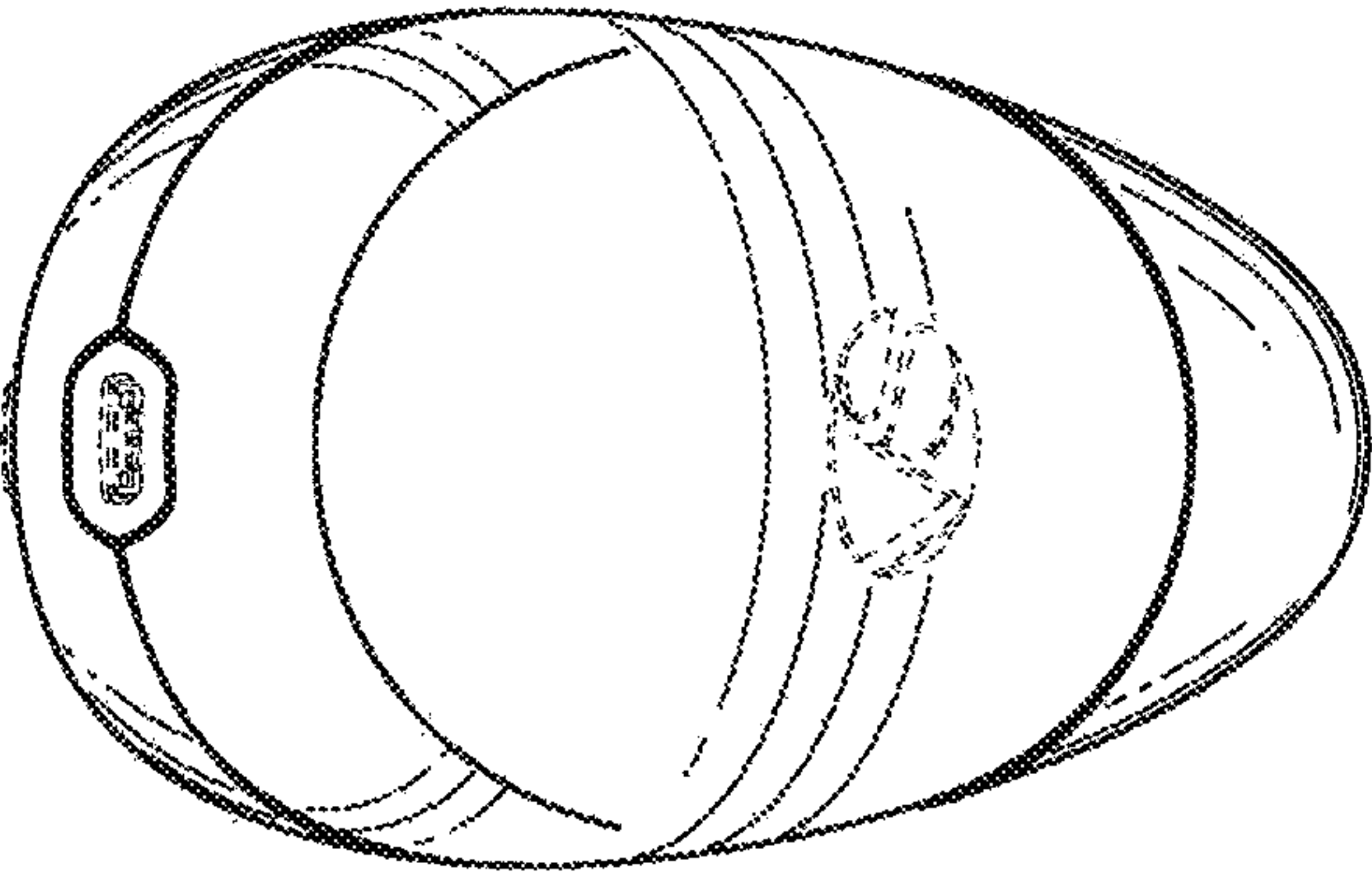


FIG. 19

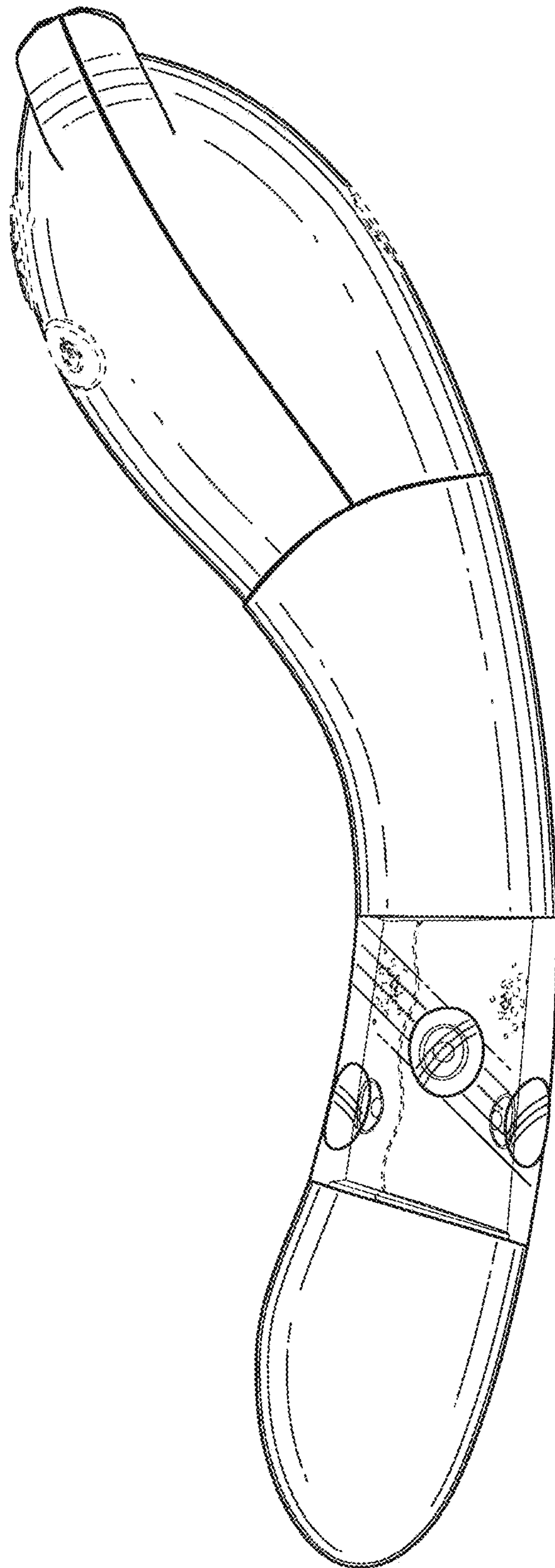


FIG. 20

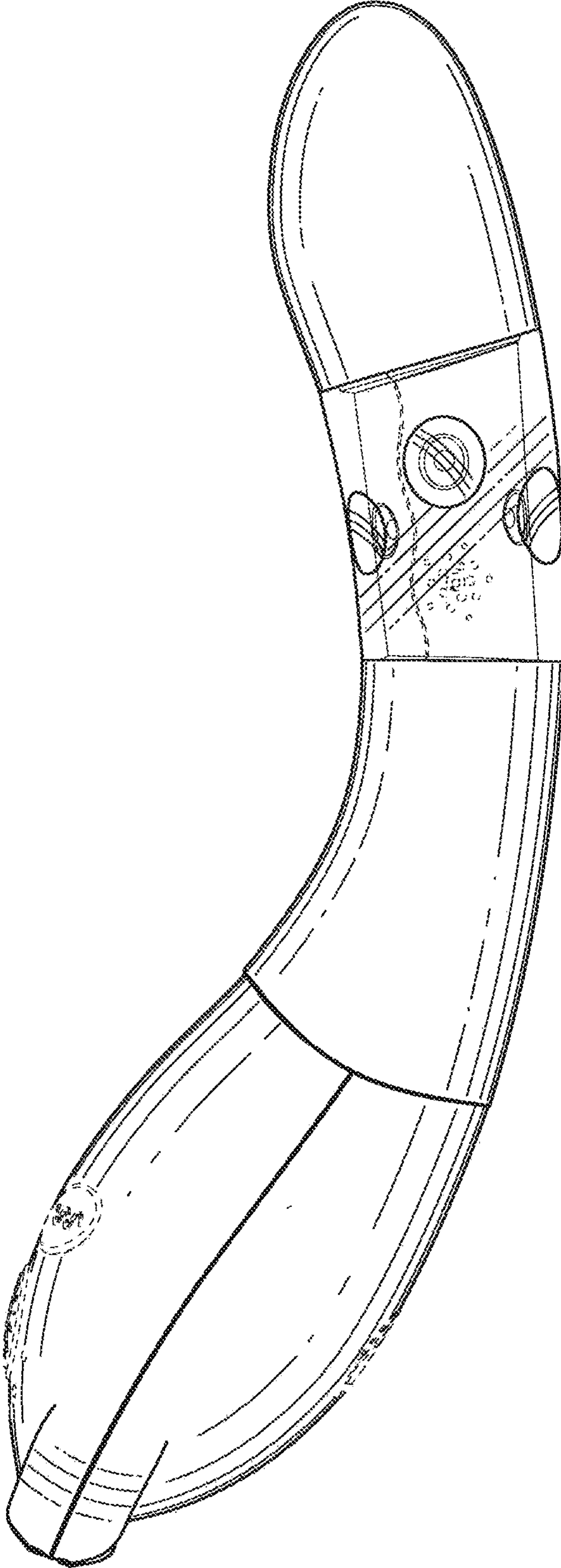


FIG. 21

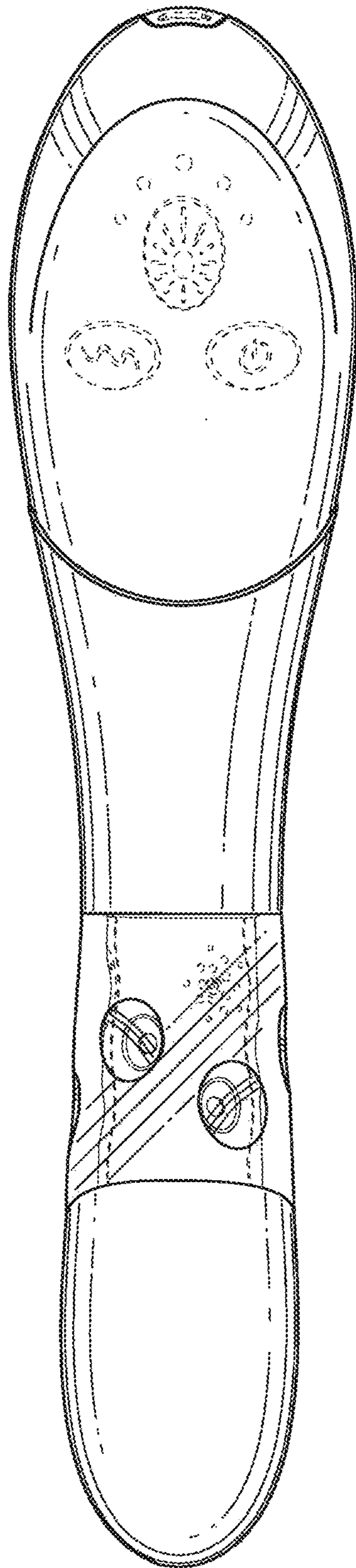


FIG. 22

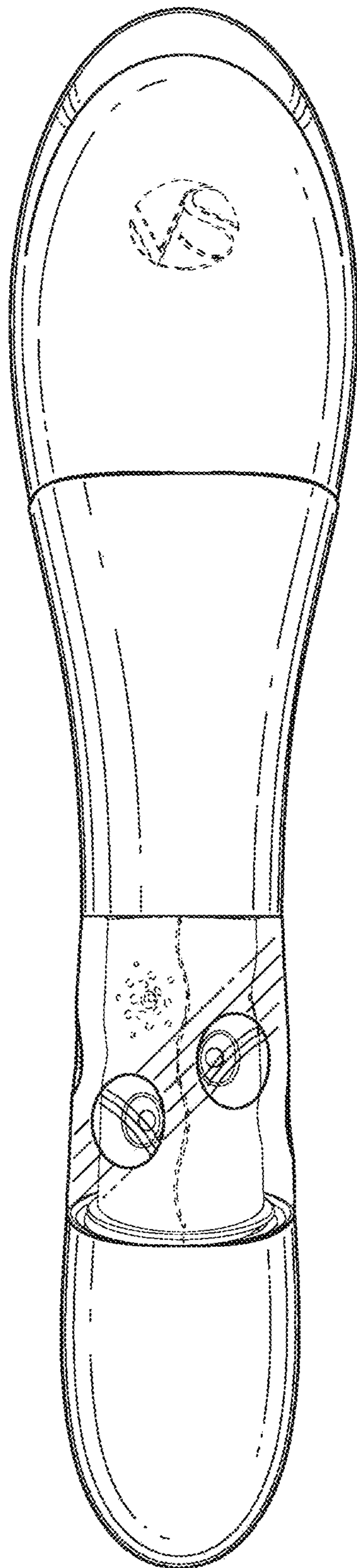


FIG. 23

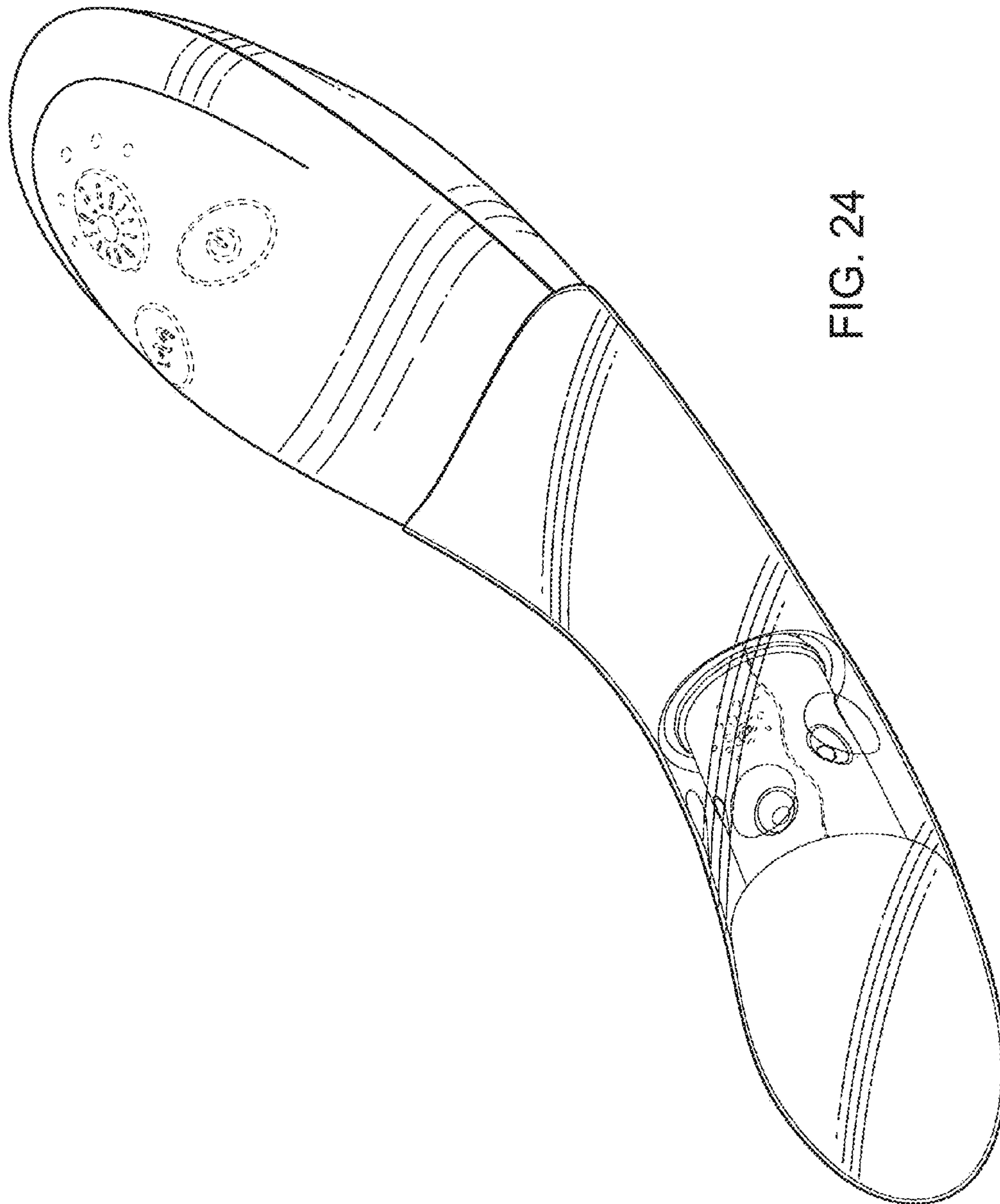


FIG. 24

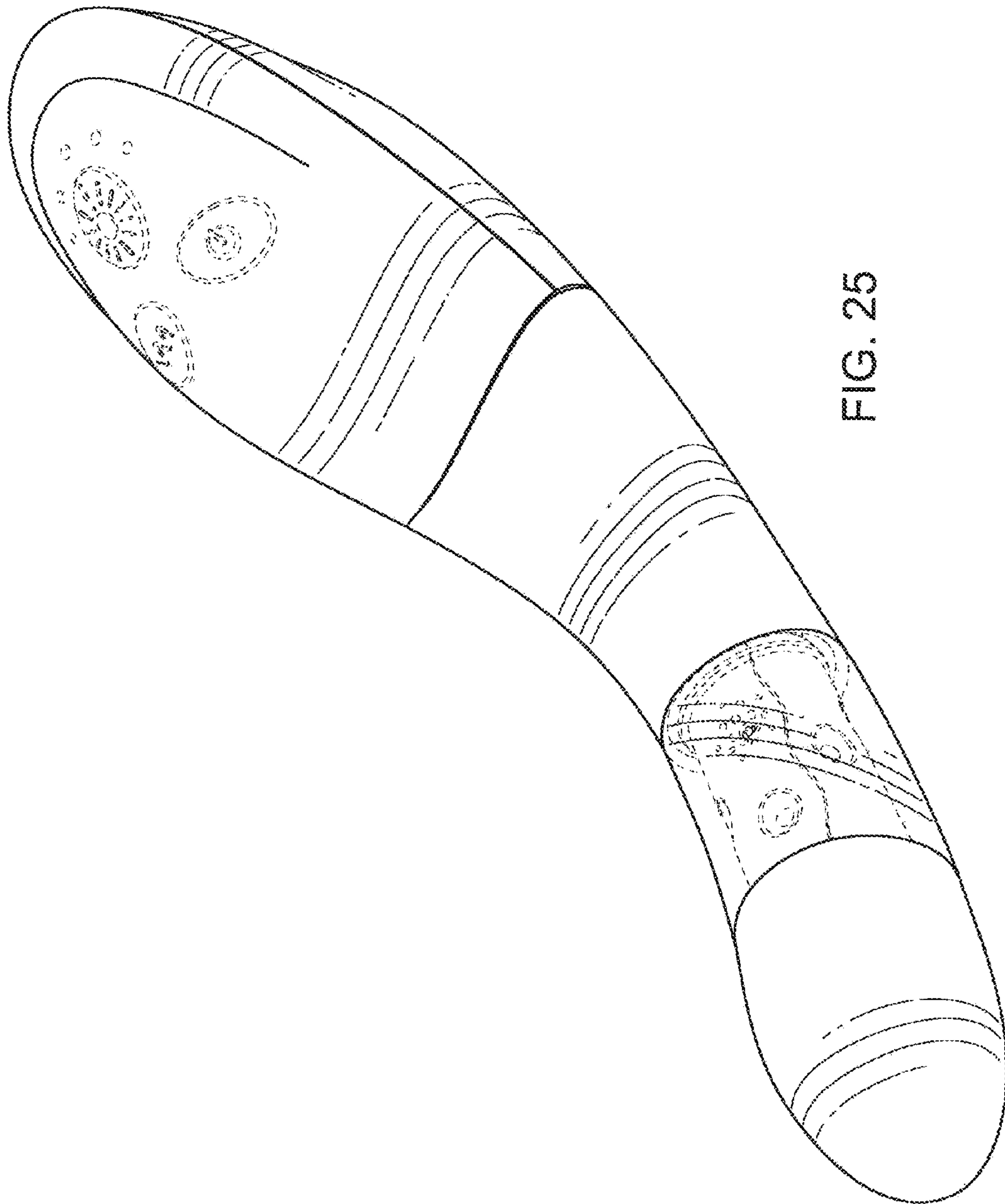


FIG. 25

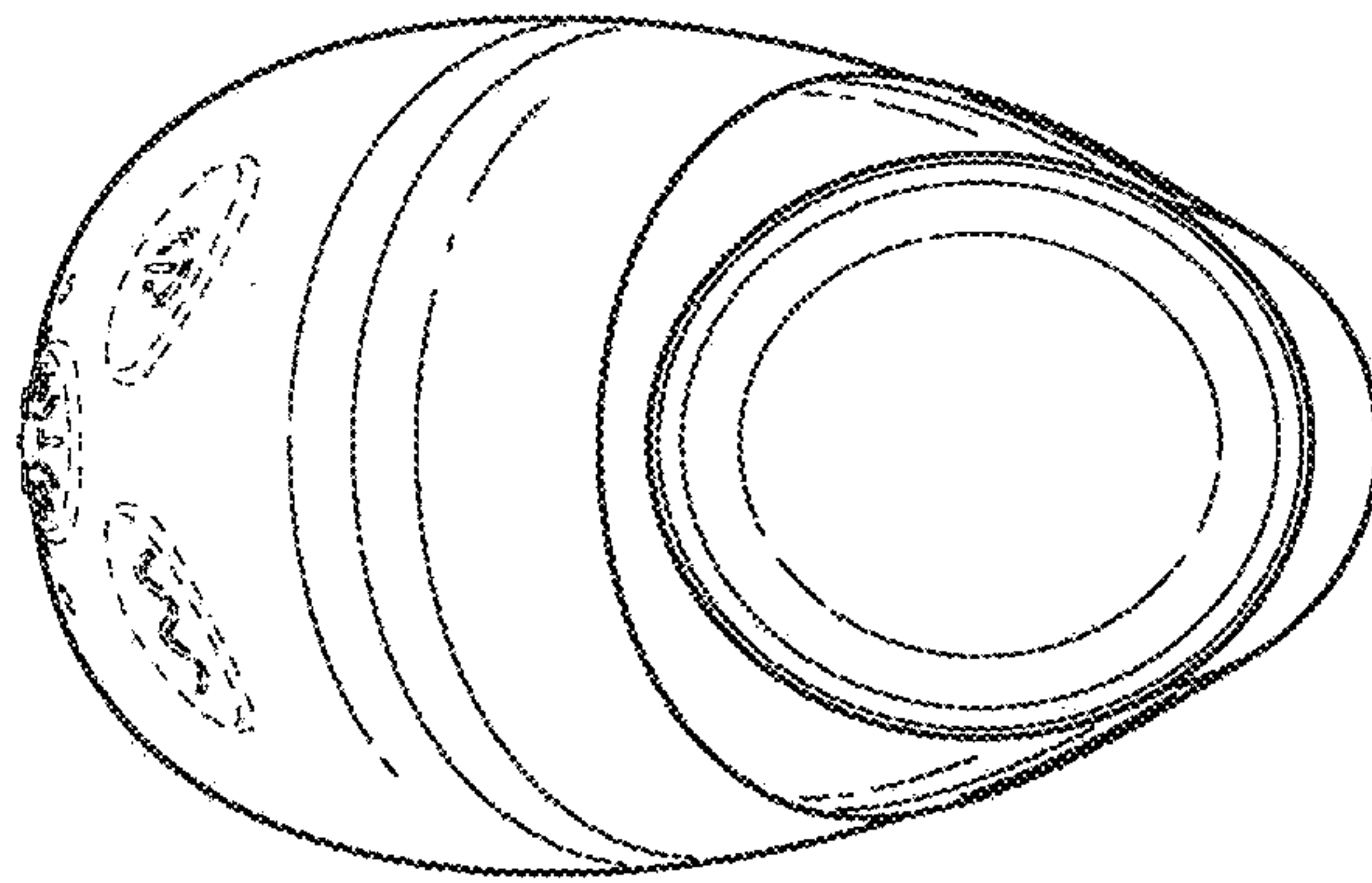


FIG. 26

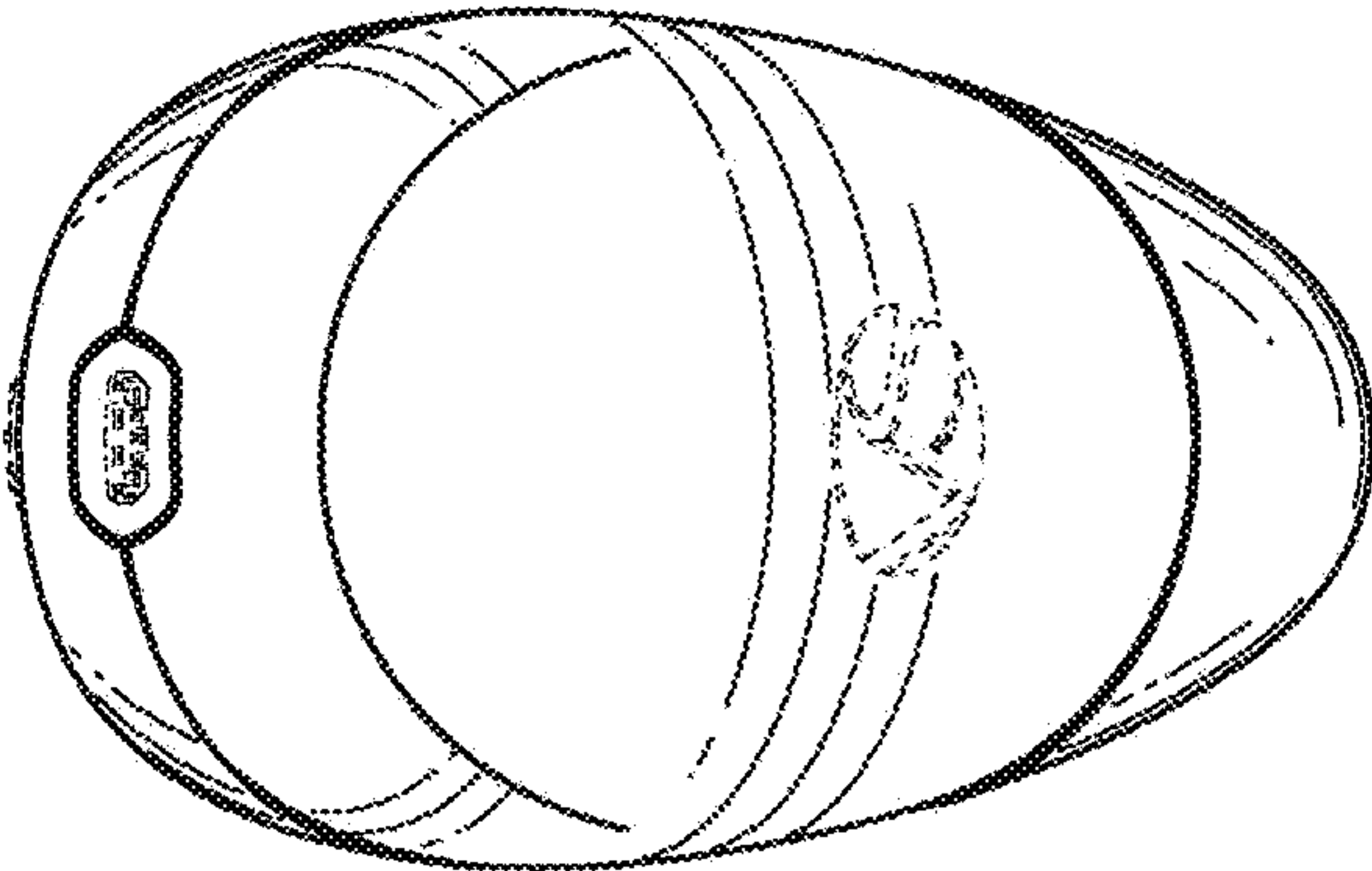


FIG. 27

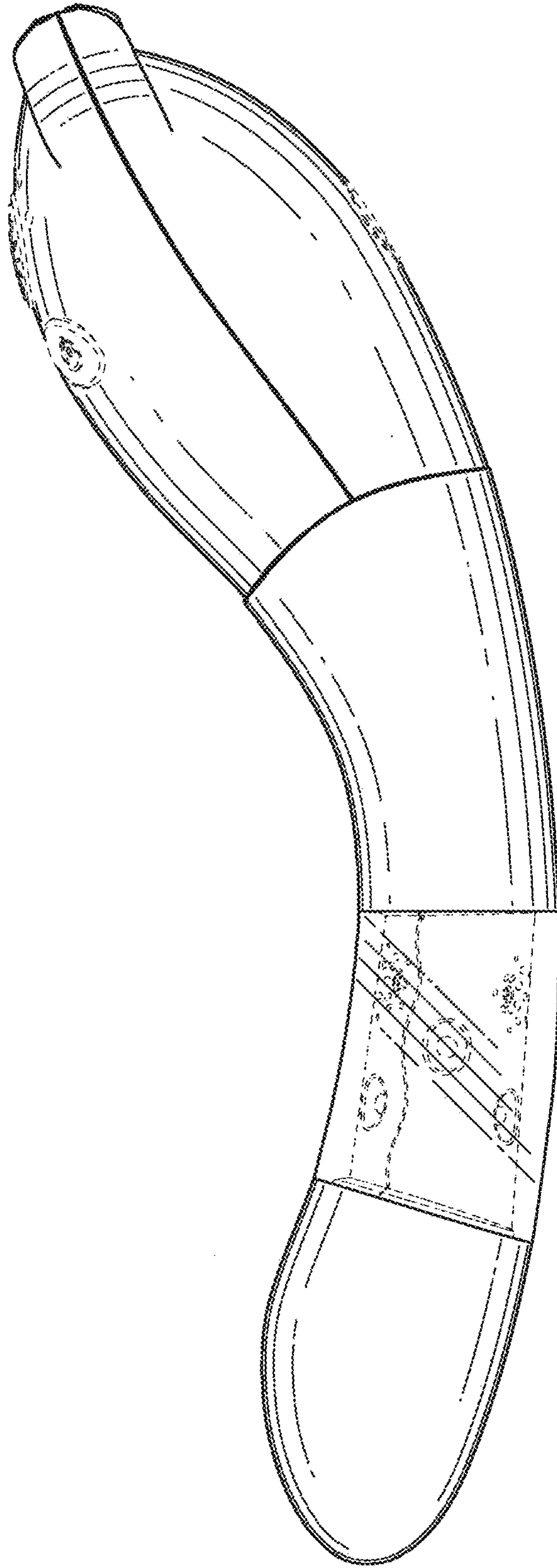


FIG. 28

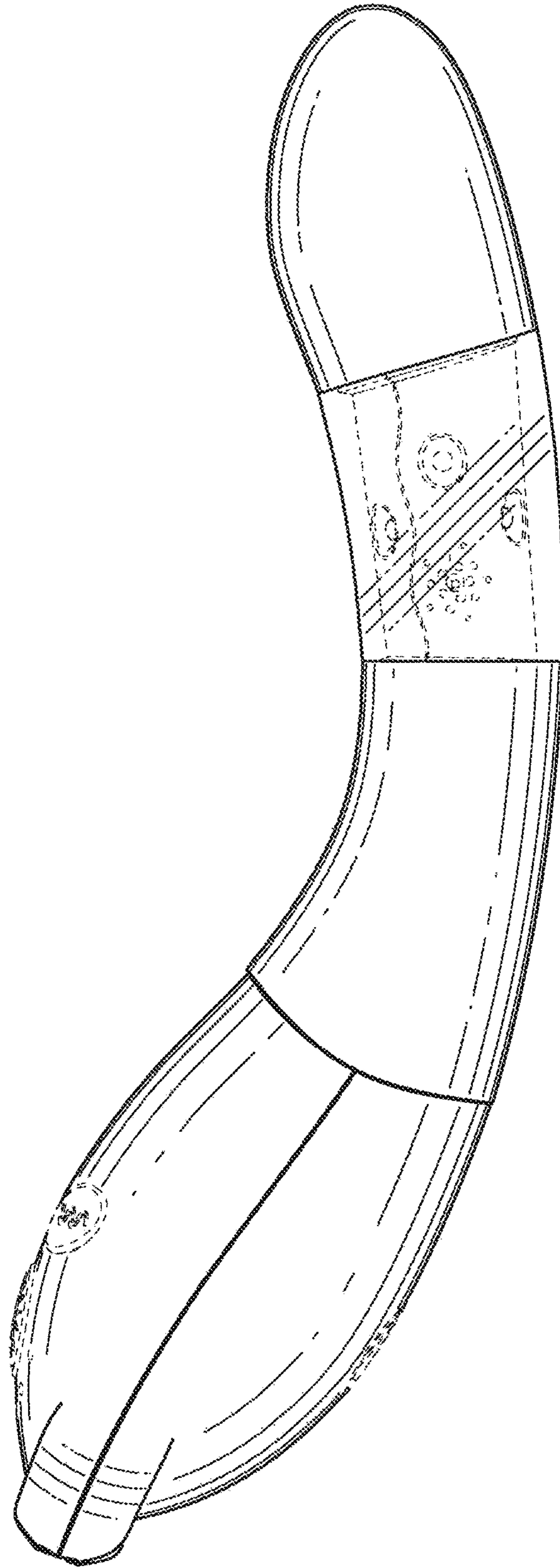


FIG. 29

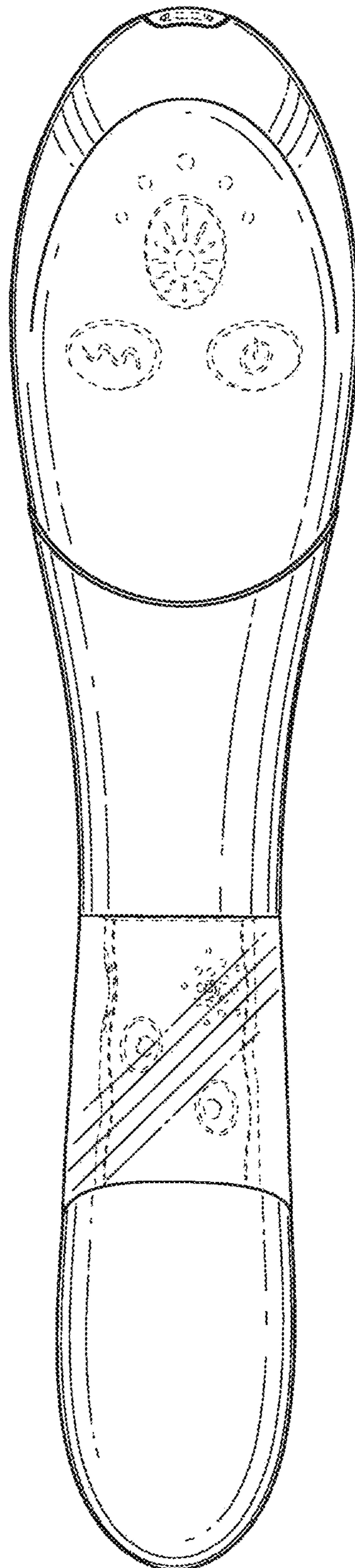


FIG. 30

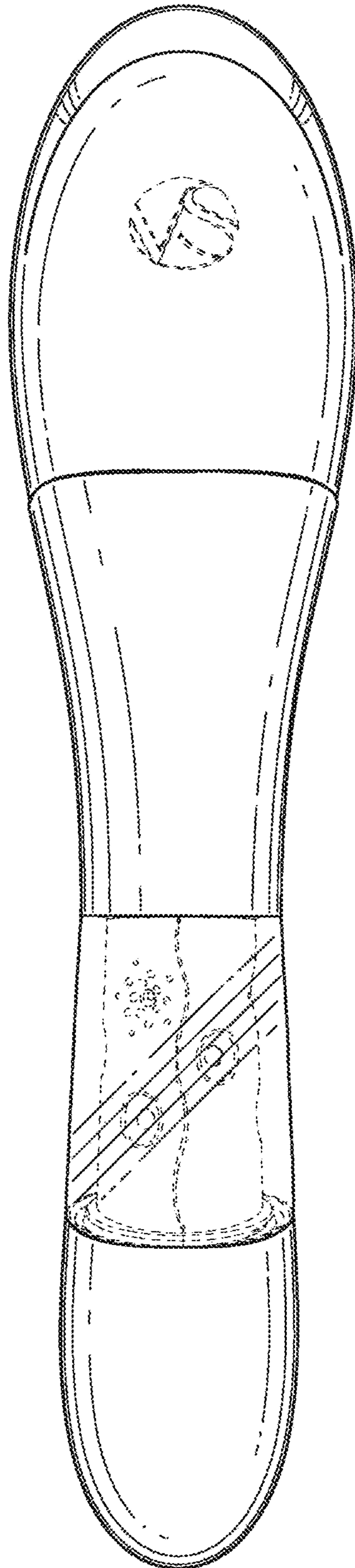


FIG. 31

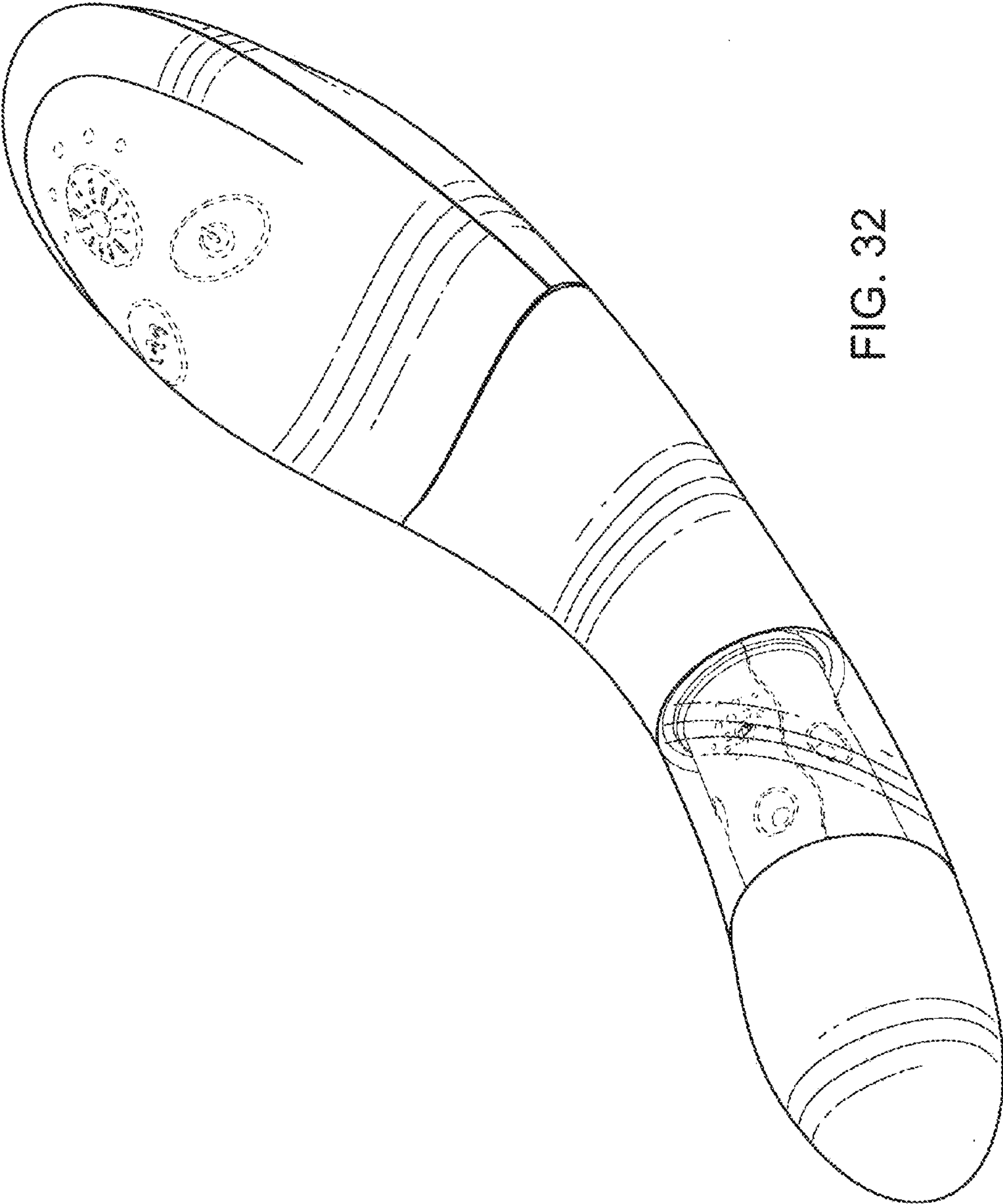


FIG. 32

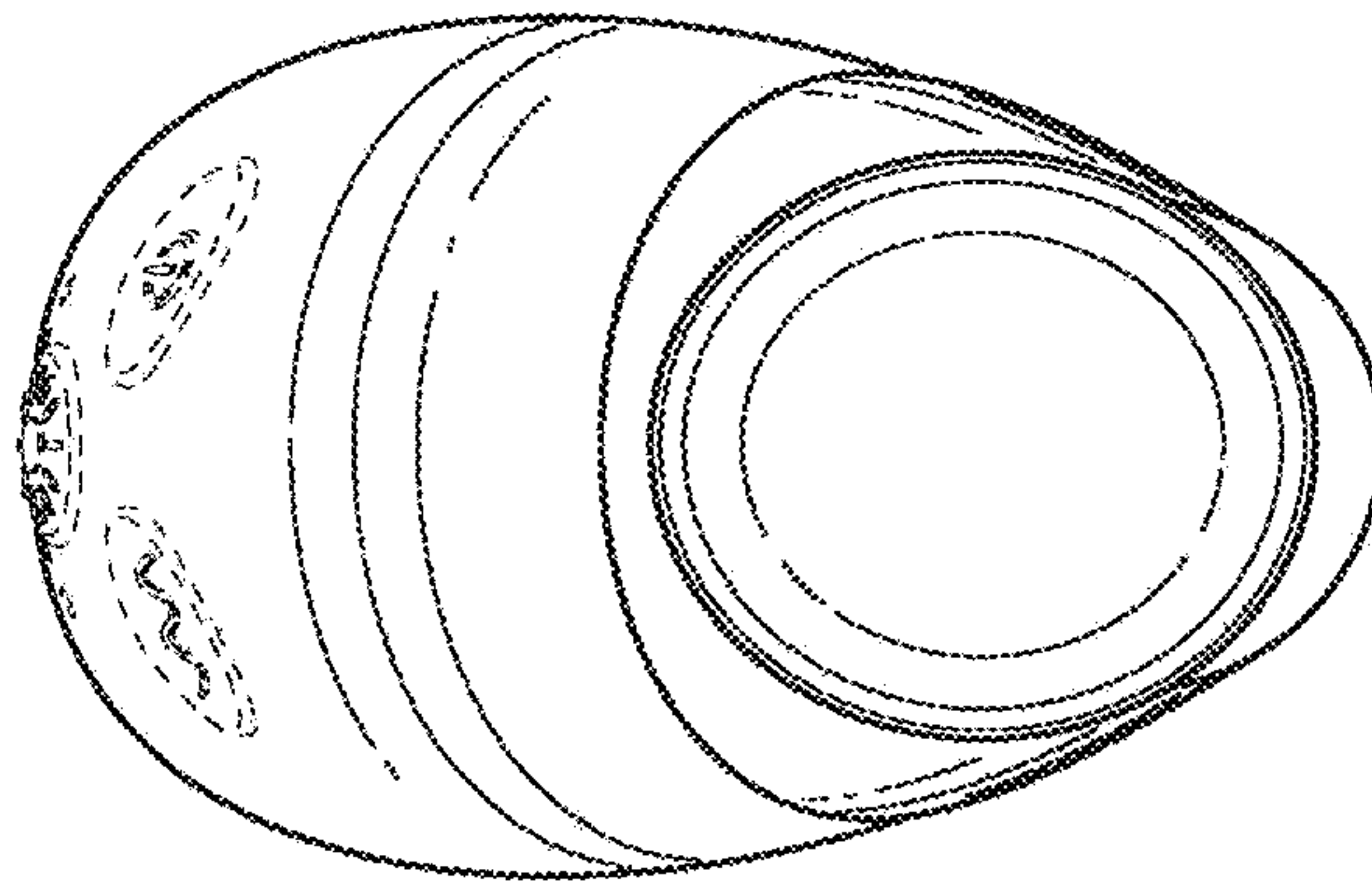


FIG. 33

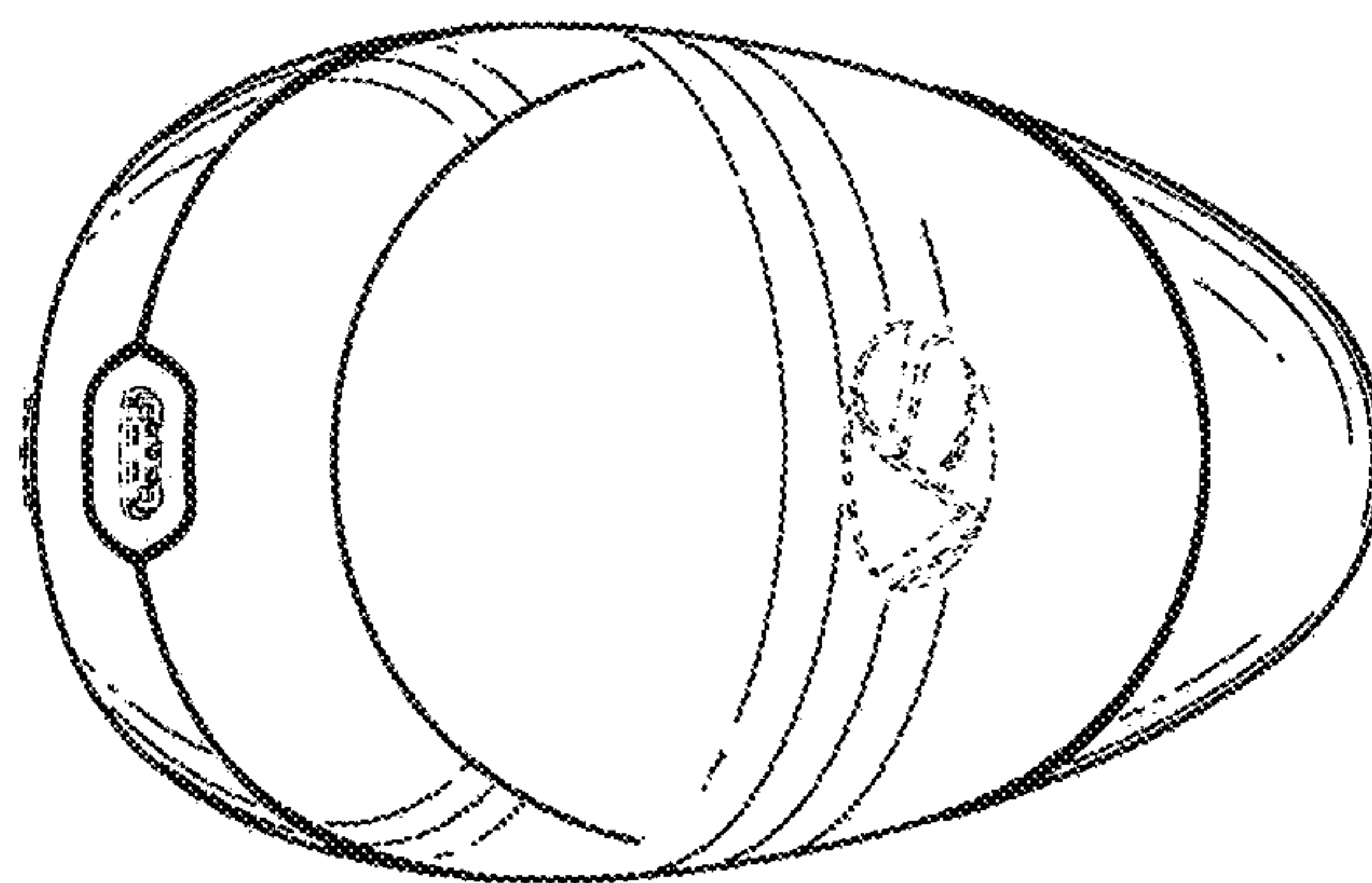


FIG. 34

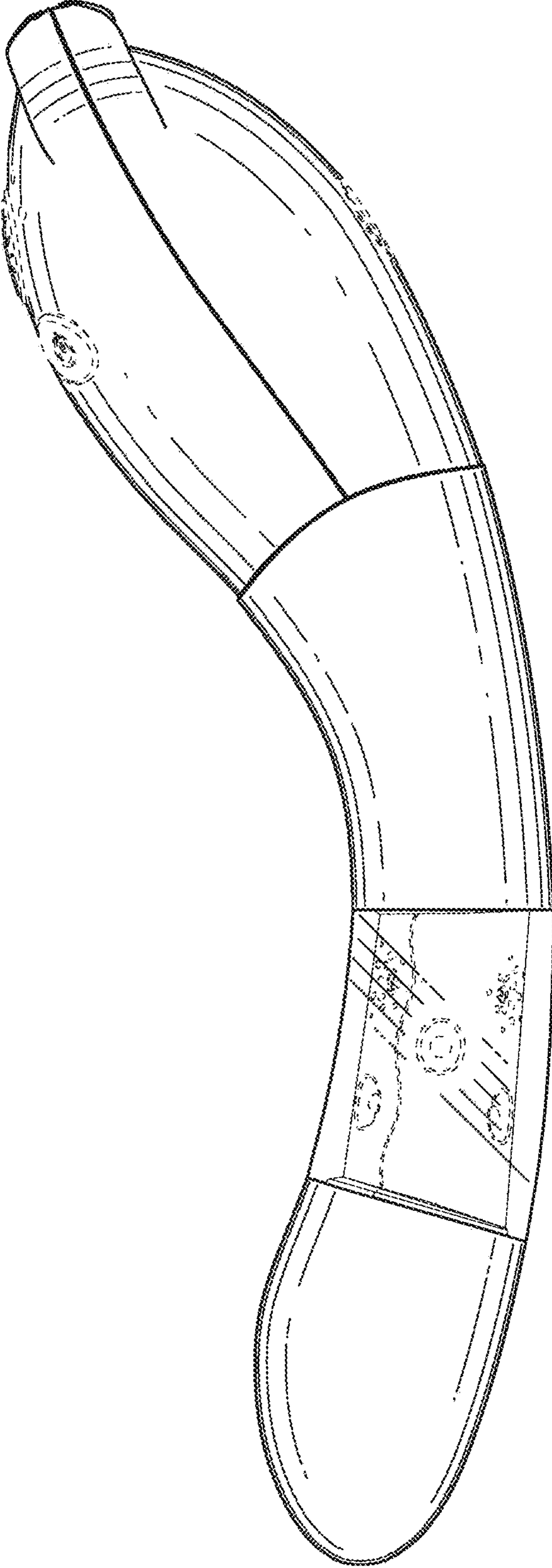


FIG. 35

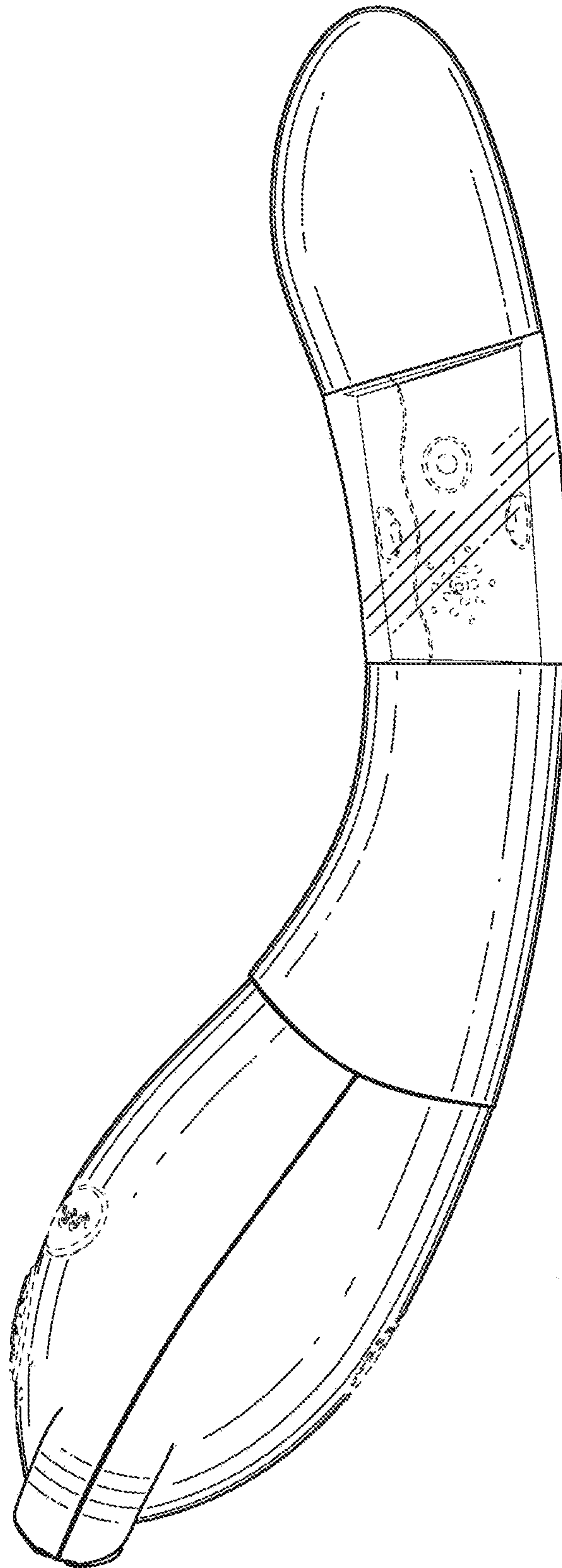


FIG. 36

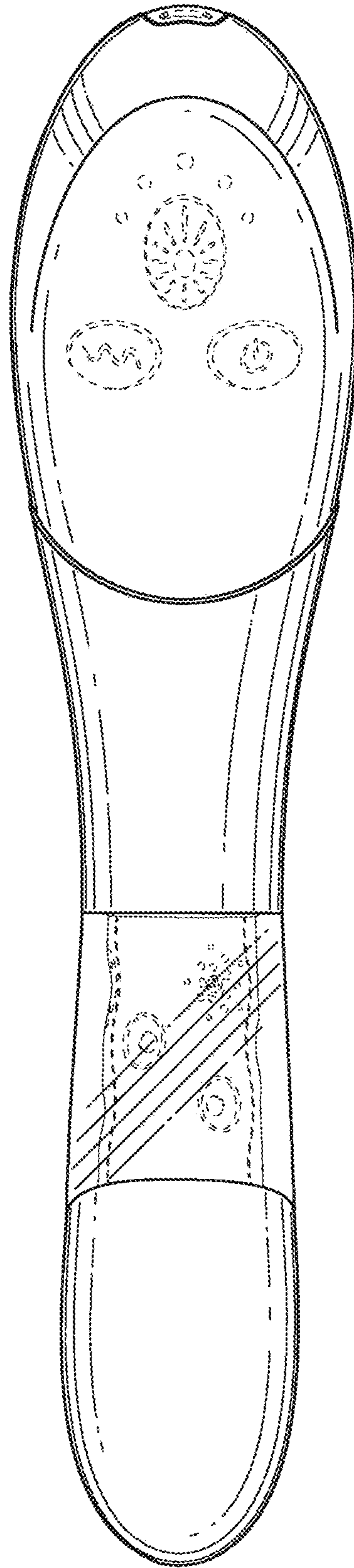


FIG. 37

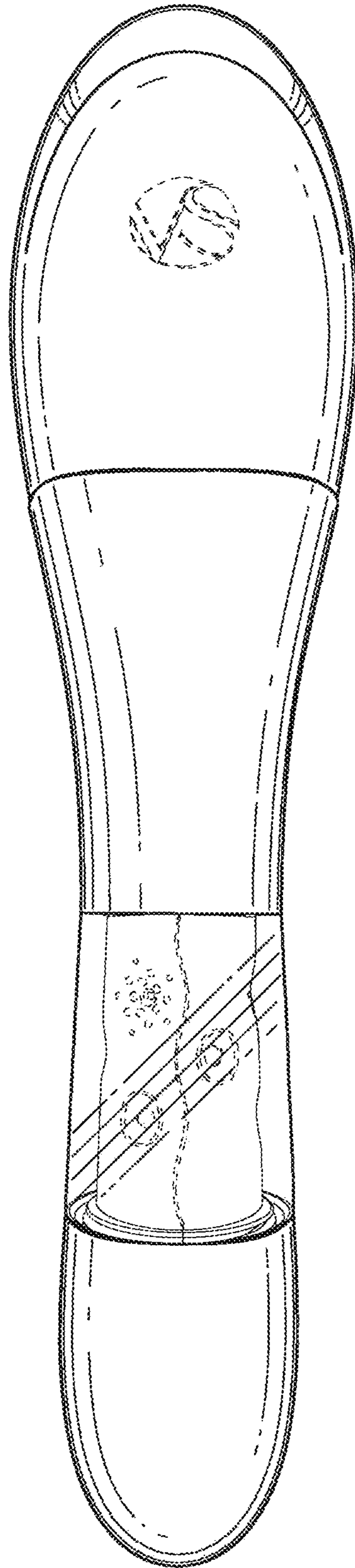


FIG. 38

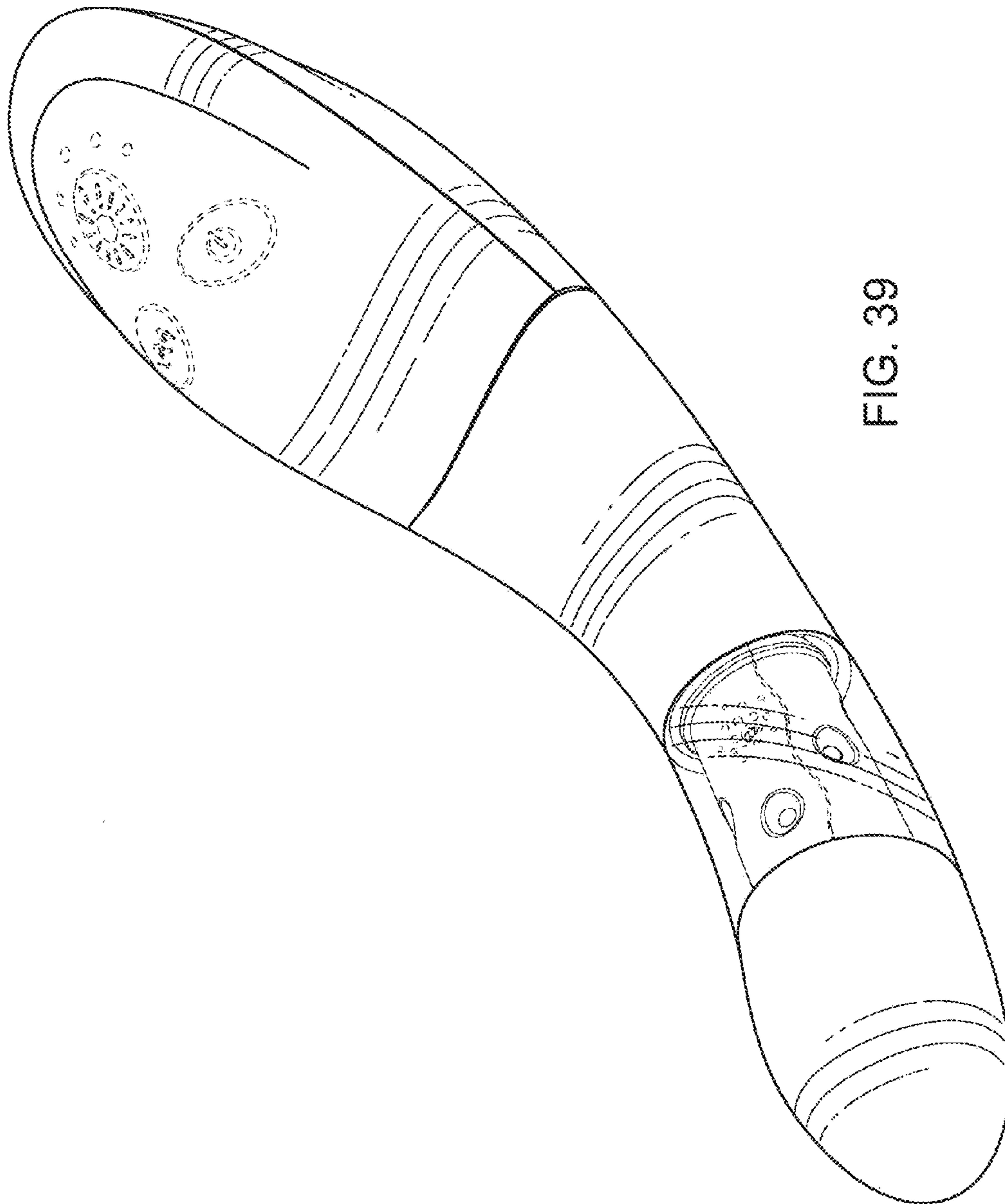


FIG. 39

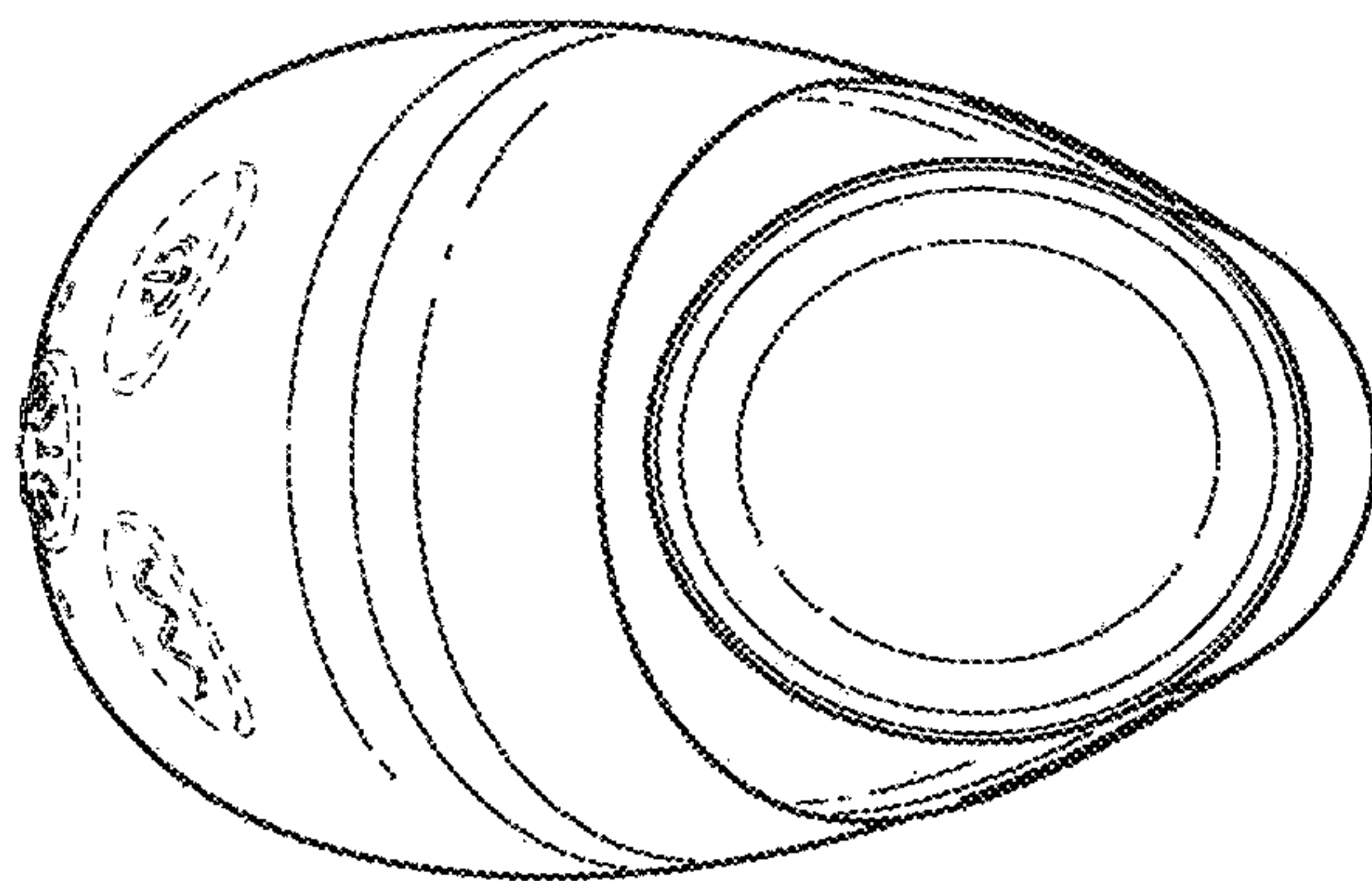


FIG. 40

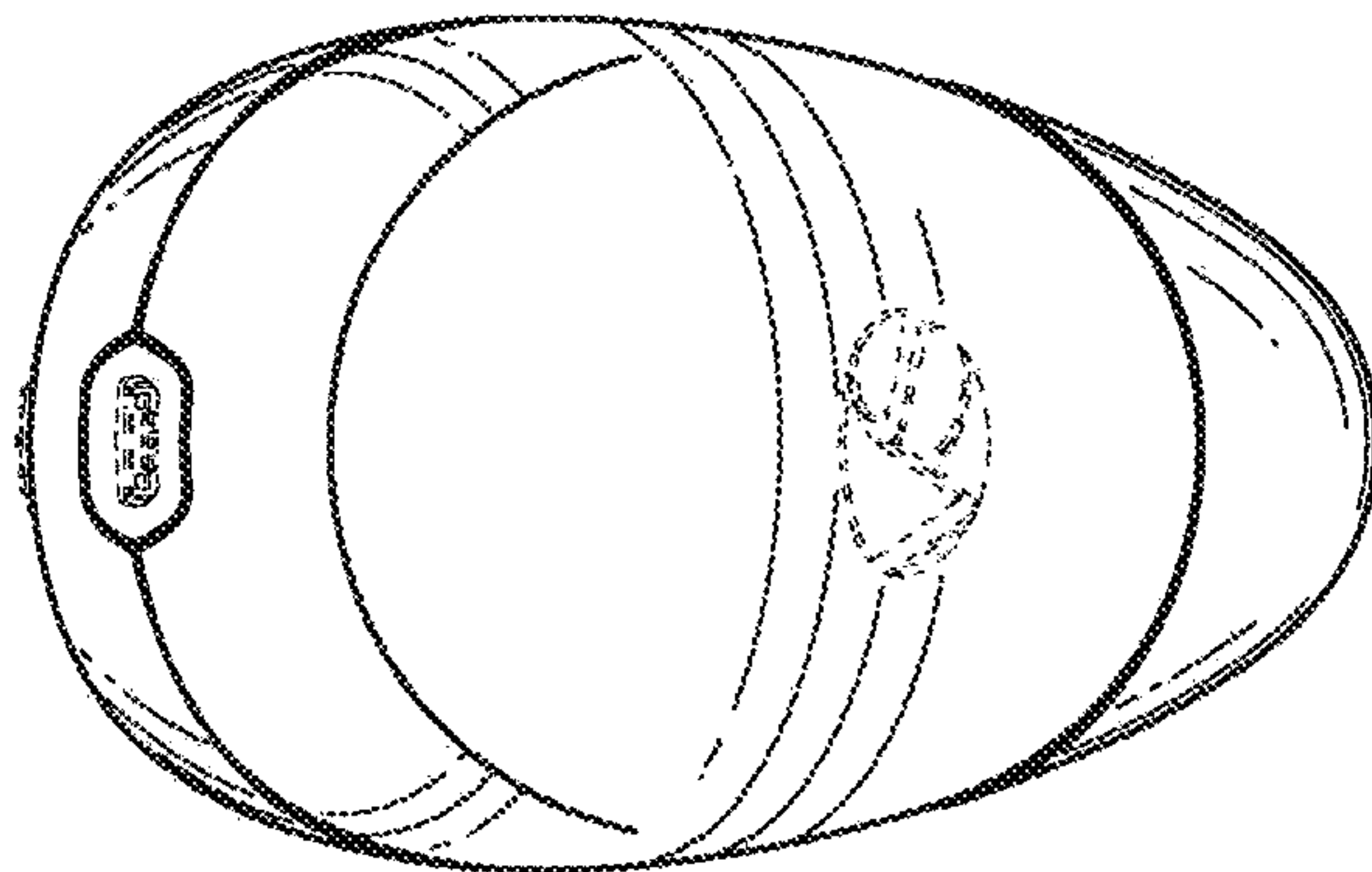


FIG. 41

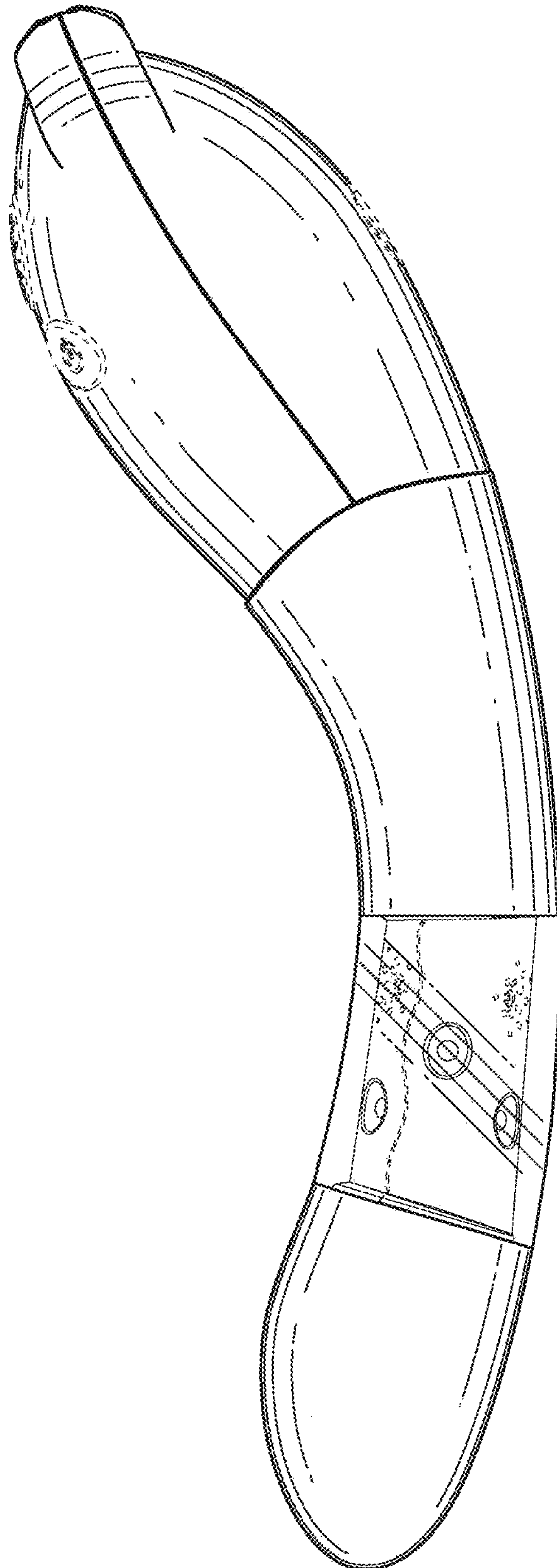


FIG. 42

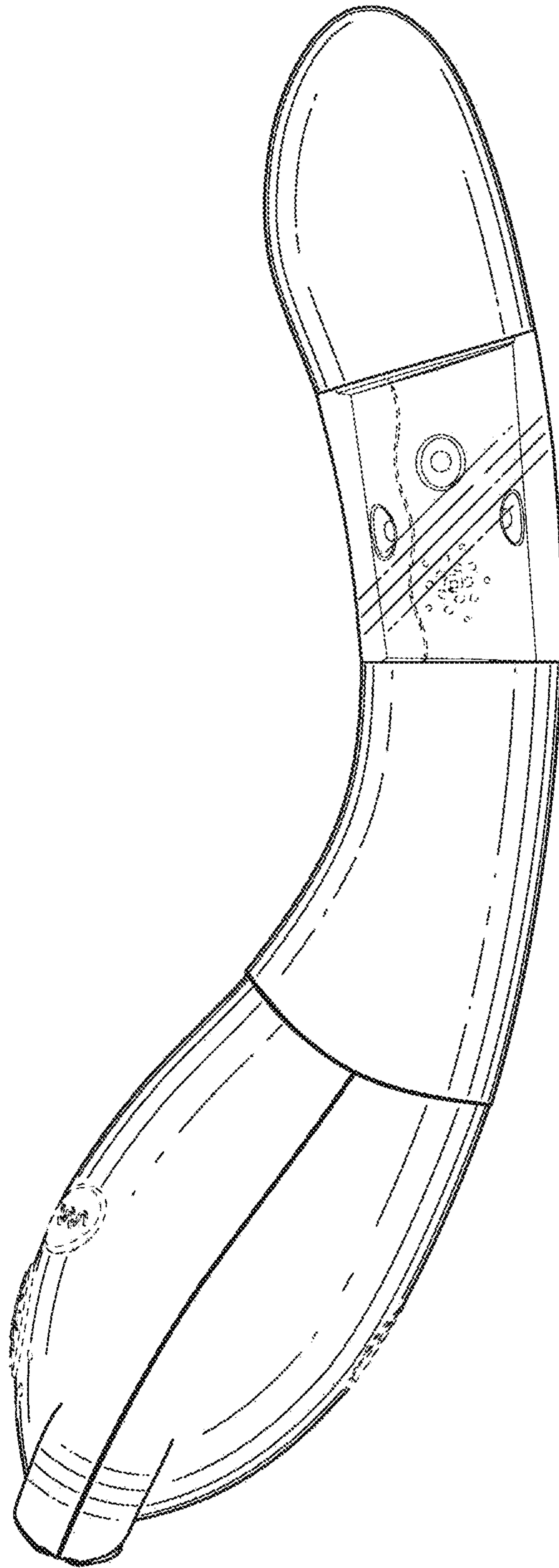


FIG. 43

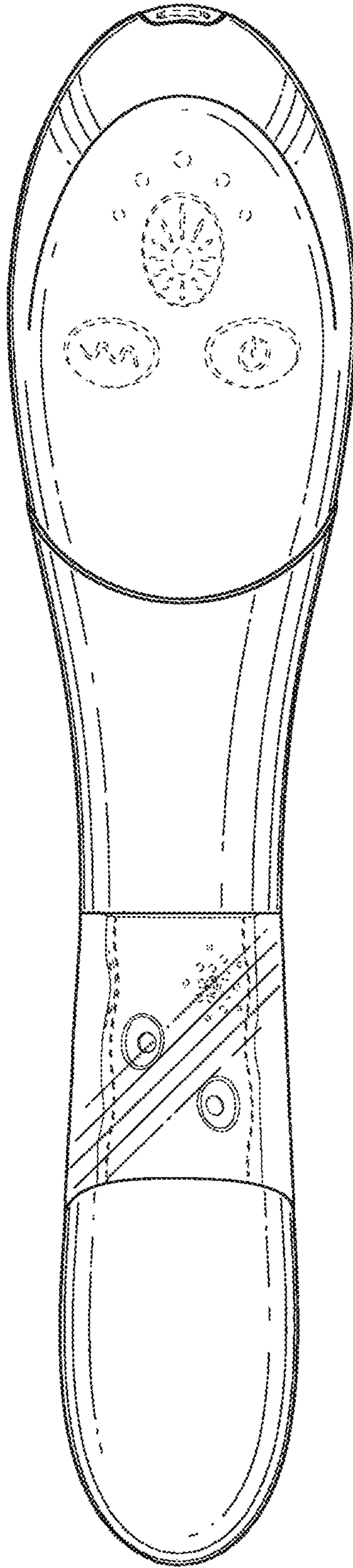


FIG. 44

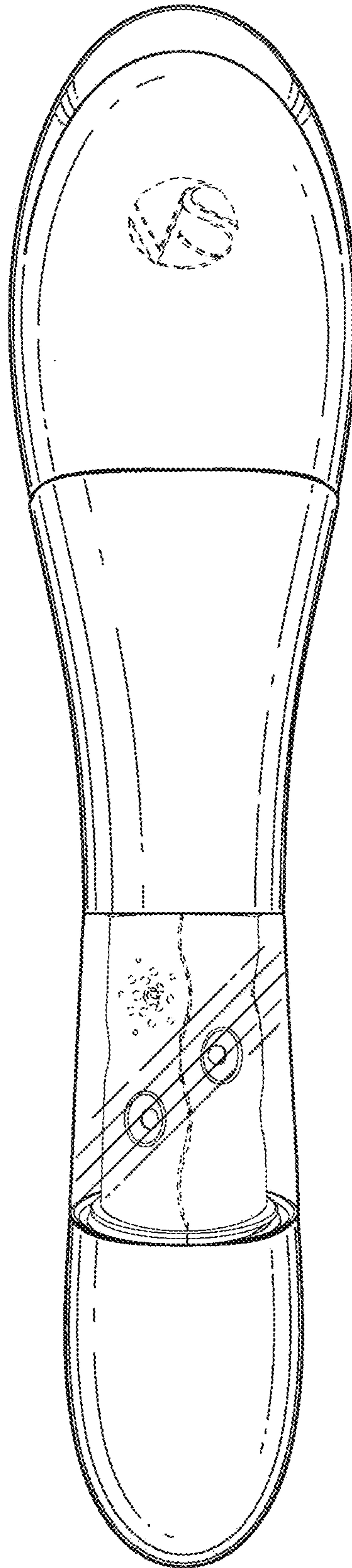


FIG. 45