



US00D772418S

(12) **United States Design Patent**
Dunn et al.

(10) **Patent No.:** **US D772,418 S**

(45) **Date of Patent:** **** Nov. 22, 2016**

(54) **SHELL FOR AN ORTHOPEDIC DEVICE**

(71) Applicant: **OSSUR HF**, Reykjavik (IS)

(72) Inventors: **Adam Dunn**, Laguna Niguel, CA (US);
Gil David Manalo, San Clemente, CA (US)

(73) Assignee: **OSSUR HF**, Reykjavik (IS)

(**) Term: **15 Years**

(21) Appl. No.: **29/539,732**

(22) Filed: **Sep. 17, 2015**

Related U.S. Application Data

(62) Division of application No. 29/486,208, filed on Mar. 27, 2014, now Pat. No. Des. 742,017.

(51) **LOC (10) Cl.** **24-01**

(52) **U.S. Cl.**
USPC **D24/192**

(58) **Field of Classification Search**
USPC D24/190, 192; D2/904, 909-911, 946,
D2/970, 972, 976; D29/120.1
CPC A61F 5/0111; A61F 5/0127; A61F 5/012;
A61F 2002/701; A43C 13/14; Y10S 128/20
See application file for complete search history.

(56) **References Cited**

U.S. PATENT DOCUMENTS

975,576 A	11/1910	Sexton
1,012,017 A	12/1911	Salt
2,200,849 A	5/1940	Margolin
2,236,367 A	3/1941	Gruber
2,292,297 A	8/1942	Sherlock
2,444,640 A	7/1948	Epstein
2,868,191 A	1/1959	Juhasz
2,885,797 A	5/1959	Chrencik

2,888,016 A	5/1959	De Lamater
2,909,854 A	10/1959	Edelstein
2,913,837 A	11/1959	Geuder
2,917,844 A	12/1959	Scholl
2,928,193 A	3/1960	Kristan

(Continued)

FOREIGN PATENT DOCUMENTS

DE	23 416 58 A1	3/1974
DE	32 287 53 A1	2/1984

(Continued)

OTHER PUBLICATIONS

International Search Report from PCT Application No. PCT/US2009/003018, Jul. 24, 2009.

(Continued)

Primary Examiner — George D Kirschbaum

Assistant Examiner — Jennifer Watkins

(74) *Attorney, Agent, or Firm* — Workman Nydegger

(57) **CLAIM**

The ornamental design for a shell for an orthopedic device, as shown and described.

DESCRIPTION

FIG. 1 is a perspective view of a shell for an orthopedic device, showing the design;

FIG. 2 is a left elevational view of the shell of FIG. 1;

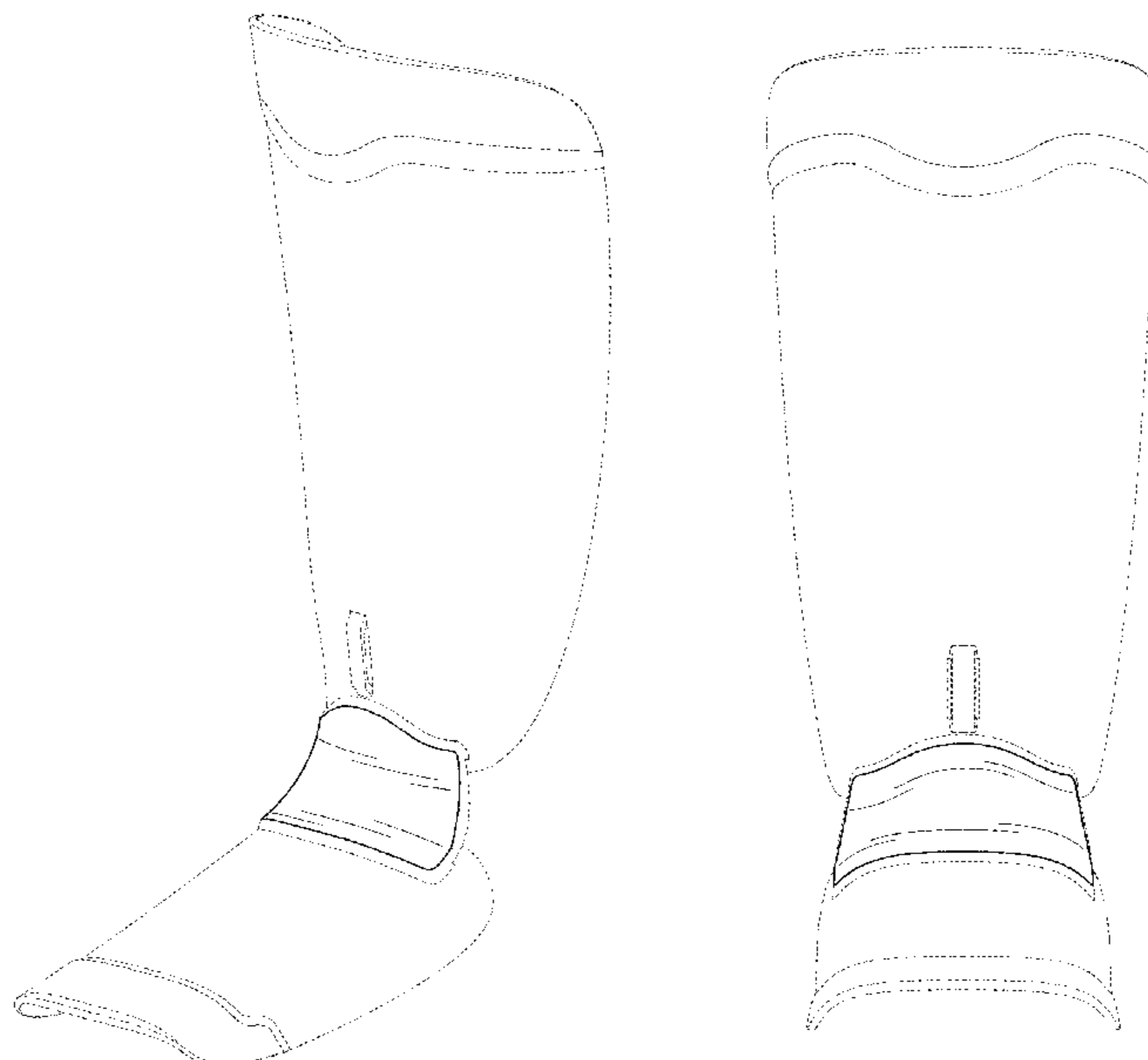
FIG. 3 is a right elevational view of the shell of FIG. 1;

FIG. 4 is front elevational view of the shell of FIG. 1; and,

FIG. 5 is a top plan view the shell of FIG. 1.

The broken lines are included for the purpose of illustrating environmental structure and form no part of the claimed design.

1 Claim, 5 Drawing Sheets



(56)

References Cited

U.S. PATENT DOCUMENTS

2,979,835 A	4/1961	Scholl	4,947,838 A	8/1990	Giannetti
2,979,836 A	4/1961	Scholl	4,974,583 A	12/1990	Freitas
3,270,358 A	9/1966	Milner	5,065,481 A	11/1991	Walkhoff
3,464,126 A	9/1969	Sarkissian	5,065,531 A	11/1991	Prestridge
3,548,420 A	12/1970	Spence	5,078,128 A	1/1992	Grim et al.
3,580,248 A	5/1971	Larson	5,123,180 A	6/1992	Nannig et al.
3,681,860 A	8/1972	Bidegain	5,125,400 A	6/1992	Johnson, Jr.
3,685,176 A	8/1972	Rudy	D329,527 S	9/1992	Cohen
3,730,169 A	5/1973	Fiber	5,143,058 A	9/1992	Luber et al.
3,735,758 A	5/1973	Novotney	D330,109 S	10/1992	Hatfield
3,760,056 A	9/1973	Rudy	5,152,038 A	10/1992	Schoch
3,786,805 A	1/1974	Tourin	5,154,682 A	10/1992	Kellerman
3,792,537 A	2/1974	Plank et al.	5,154,695 A	10/1992	Farris et al.
3,814,088 A	6/1974	Raymond	5,157,813 A	10/1992	Carroll
3,834,377 A	9/1974	Lebold	5,176,623 A	1/1993	Stetman et al.
3,859,740 A	1/1975	Kemp	5,176,624 A	1/1993	Kuehnreich
3,922,800 A	12/1975	Miller et al.	5,183,036 A	2/1993	Spademan
3,955,565 A	5/1976	Johnson, Jr.	5,197,942 A	3/1993	Brady
4,045,888 A	9/1977	Oxenber	D334,646 S	4/1993	Dissinger
4,057,056 A	11/1977	Payton	D337,876 S	8/1993	Kilbey
4,095,353 A	6/1978	Foldes	5,233,767 A	8/1993	Kramer
4,100,686 A	7/1978	Sgarlato et al.	5,242,379 A	9/1993	Harris et al.
4,142,307 A	3/1979	Martin	5,249,377 A	10/1993	Walkhoff
4,177,583 A	12/1979	Chapman	5,277,695 A	1/1994	Johnson, Jr. et al.
4,184,273 A	1/1980	Boyer et al.	D344,589 S	2/1994	Kilbey
4,217,706 A	8/1980	Vartanian	5,288,286 A	2/1994	Davis et al.
4,217,893 A	8/1980	Payton	5,325,613 A	7/1994	Sussmann
4,232,459 A	11/1980	Vaccari	5,329,705 A	7/1994	Grim et al.
4,237,626 A	12/1980	Brown	D352,191 S	11/1994	Zorian
4,267,649 A	5/1981	Smith	D352,784 S	11/1994	Cohen et al.
4,300,294 A	11/1981	Riecken	5,359,791 A	11/1994	Prahl et al.
4,333,248 A	6/1982	Samuels	5,368,549 A	11/1994	McVicker
4,370,818 A	2/1983	Simoglou	5,368,551 A	11/1994	Zuckerman
4,408,402 A	10/1983	Looney	5,370,133 A	12/1994	Darby et al.
4,414,965 A	11/1983	Mauldin et al.	5,378,223 A	1/1995	Grim et al.
D272,281 S	1/1984	Alush	5,399,152 A	3/1995	Habermeyer et al.
4,446,856 A	5/1984	Jordan	5,407,421 A	4/1995	Goldsmith
4,494,536 A	1/1985	Latenser	5,425,701 A	6/1995	Oster et al.
4,505,269 A	3/1985	Davies et al.	5,426,872 A	6/1995	Hayes
4,550,721 A	11/1985	Michel	5,429,588 A	7/1995	Young et al.
4,565,017 A	1/1986	Ottieri	5,433,695 A	7/1995	Drennan
4,571,853 A	2/1986	Medrano	5,435,009 A	7/1995	Schild et al.
4,572,169 A	2/1986	Mauldin et al.	5,438,768 A	8/1995	Bauerfeind
4,587,962 A	5/1986	Greene et al.	5,441,015 A	8/1995	Farley
4,598,484 A	7/1986	Ma	D363,780 S	10/1995	Darby et al.
4,599,811 A	7/1986	Rousseau	5,464,385 A	11/1995	Grim
4,608,768 A	9/1986	Cavanagh	5,477,593 A	12/1995	Leick
4,620,378 A	11/1986	Sartor	D365,919 S	1/1996	Chen
4,633,598 A	1/1987	Moronaga et al.	5,483,757 A	1/1996	Frykberg
4,633,599 A	1/1987	Morell et al.	5,496,263 A	3/1996	Fuller, II et al.
4,633,877 A	1/1987	Pendergast	5,548,848 A	8/1996	Huybrechts
4,660,300 A	4/1987	Morell et al.	D373,548 S	9/1996	Losi, II
4,669,202 A	6/1987	Ottieri	D375,191 S	11/1996	Tonkel et al.
4,674,204 A	6/1987	Sullivan et al.	5,577,998 A	11/1996	Johnson, Jr. et al.
4,674,205 A	6/1987	Anger	D376,429 S	12/1996	Antar
4,677,767 A	7/1987	Darby	5,617,650 A	4/1997	Grim
4,680,878 A	7/1987	Pozzobon et al.	D379,258 S	5/1997	Cheng
4,689,898 A	9/1987	Fahey	5,641,322 A	6/1997	Silver et al.
4,719,710 A	1/1988	Pozzobon	5,647,104 A	7/1997	James
4,727,661 A	3/1988	Kuhn	5,656,226 A	8/1997	McVicker
4,741,115 A	5/1988	Pozzobon	D383,250 S	9/1997	Amico
4,748,726 A	6/1988	Schoch	D384,746 S	10/1997	Varn
4,760,653 A	8/1988	Baggio	D390,345 S	2/1998	Aird et al.
4,771,768 A	9/1988	Crispin	5,717,996 A	2/1998	Feldmann
4,773,170 A	9/1988	Moore et al.	D391,748 S	3/1998	Koh
4,793,078 A	12/1988	Andrews	5,761,834 A	6/1998	Grim et al.
D299,787 S	2/1989	Bates	5,778,563 A	7/1998	Ahlbaumer
4,805,321 A	2/1989	Tonkel	5,778,565 A	7/1998	Holt et al.
4,805,601 A	2/1989	Eischen, Sr.	5,797,862 A	8/1998	Lamont
4,811,504 A	3/1989	Bunke	D398,142 S	9/1998	Benoit
4,869,001 A	9/1989	Brown	D398,439 S	9/1998	McDonald
4,872,273 A	10/1989	Smeed	5,819,378 A	10/1998	Doyle
4,879,822 A	11/1989	Hayes	5,827,210 A	10/1998	Antar et al.
4,893,418 A	1/1990	Ogden	5,827,211 A	10/1998	Sellinger
4,934,355 A	6/1990	Porcelli	D401,042 S	11/1998	Davis
			5,833,639 A	11/1998	Nunes et al.
			5,836,902 A	11/1998	Gray
			5,846,063 A	12/1998	Lakic
			5,853,380 A	12/1998	Miller

(56)

References Cited

U.S. PATENT DOCUMENTS

5,857,987 A	1/1999	Habermeyer	7,838,717 B2	11/2010	Haggstrom et al.
D404,895 S	2/1999	Rosato	D634,438 S	3/2011	Hu
5,868,690 A	2/1999	Eischen, Sr.	D634,852 S	3/2011	Hu
5,913,841 A	6/1999	Lamont	D636,157 S	4/2011	Nascimento
5,934,599 A	8/1999	Hammerslag	D636,159 S	4/2011	Petrie
5,951,504 A	9/1999	Iglesias et al.	7,964,766 B2	6/2011	Blott et al.
5,961,477 A	10/1999	Turtzo	D642,363 S	8/2011	Rajmohan et al.
5,993,404 A	11/1999	Mc Niel	D642,775 S	8/2011	Raysse
6,000,148 A	12/1999	Cretinon	8,002,724 B2	8/2011	Hu et al.
D418,967 S	1/2000	Stengel	8,012,112 B2	9/2011	Barberio
6,021,780 A	2/2000	Darby	8,021,347 B2	9/2011	Vitaris et al.
6,027,468 A	2/2000	Pick	D648,113 S	11/2011	Chang
6,044,578 A	4/2000	Kelz	D651,381 S	1/2012	Simms
6,098,315 A	8/2000	Hoffmann, III	8,158,844 B2	4/2012	McNeil
6,131,195 A *	10/2000	Foreman A63B 71/1225 128/882	D661,887 S	6/2012	Petrie
6,202,953 B1	3/2001	Hammerslag	8,308,705 B2	11/2012	Lin et al.
6,205,685 B1	3/2001	Kellerman	8,313,449 B2	11/2012	Hardman et al.
6,228,044 B1	5/2001	Jensen et al.	D675,421 S	2/2013	Petrie
6,267,742 B1	7/2001	Krivosha et al.	D677,866 S	3/2013	Vestuti et al.
RE37,338 E	8/2001	McVicker	D680,728 S	4/2013	Stryjak
6,289,558 B1	9/2001	Hammerslag	D682,517 S	5/2013	Taylor
6,334,854 B1	1/2002	Davis	D683,214 S	5/2013	McAdam
6,338,768 B1	1/2002	Chi	8,506,510 B2	8/2013	Hu et al.
6,361,514 B1	3/2002	Brown et al.	8,574,181 B2	11/2013	Bird et al.
6,377,178 B1	4/2002	DeToro et al.	D696,499 S	12/2013	Lehtinen
6,409,691 B1	6/2002	Dakin et al.	D696,785 S	12/2013	Weaver, II et al.
D461,936 S *	8/2002	Fiorini D29/120.1	D698,074 S	1/2014	Hargreaves
6,432,073 B2	8/2002	Pior et al.	D698,338 S	1/2014	Ingham et al.
D467,708 S	12/2002	Portzline	D701,032 S	3/2014	Leleu
D473,654 S	4/2003	Iglesias et al.	D701,033 S	3/2014	Leleu
D473,704 S	4/2003	Wilson	D703,335 S	4/2014	Bird et al.
6,572,571 B2	6/2003	Lowe	D712,639 S	9/2014	Spring
D476,799 S	7/2003	Fuerst	D714,042 S	9/2014	Petrie
6,589,194 B1	7/2003	Calderon et al.	D742,017 S *	10/2015	Dunn D24/192
6,682,497 B2	1/2004	Jensen et al.	D744,111 S *	11/2015	Dunn D24/192
6,755,798 B2	6/2004	McCarthy et al.	9,248,042 B2 *	2/2016	Lopez A61F 5/0113
6,792,699 B2	9/2004	Long et al.	9,333,106 B2	5/2016	Hu et al.
D500,855 S	1/2005	Pick et al.	2002/0095105 A1	7/2002	Jensen
6,866,043 B1	3/2005	Davis	2002/0095750 A1	7/2002	Hammerslag
D505,727 S	5/2005	Krahner et al.	2002/0128574 A1	9/2002	Darby
6,945,944 B2	9/2005	Kuiper et al.	2003/0093882 A1	5/2003	Gorza et al.
6,976,972 B2	12/2005	Bradshaw	2003/0171703 A1	9/2003	Grim et al.
6,991,613 B2	1/2006	Sensabaugh	2003/0204938 A1	11/2003	Hammerslag
7,010,823 B2	3/2006	Baek	2004/0010212 A1	1/2004	Kuiper et al.
7,018,351 B1	3/2006	Iglesias et al.	2004/0019307 A1	1/2004	Grim et al.
D528,214 S	9/2006	Binet	2004/0167453 A1	8/2004	Peters
7,198,610 B2	4/2007	Ingimundarson et al.	2005/0131324 A1	6/2005	Bledsoe
7,281,341 B2	10/2007	Reagan et al.	2005/0145256 A1	7/2005	Howard et al.
7,288,076 B2	10/2007	Grim et al.	2005/0165338 A1	7/2005	Iglesias et al.
D554,835 S	11/2007	Peydro	2005/0171461 A1	8/2005	Pick
D555,291 S *	11/2007	Danzo D29/121.2	2005/0172517 A1	8/2005	Bledsoe et al.
D555,343 S	11/2007	Bettencourt	2005/0274046 A1	12/2005	Schwartz
7,303,538 B2	12/2007	Grim et al.	2006/0084899 A1	4/2006	Verkade et al.
7,311,686 B1	12/2007	Iglesias et al.	2006/0135899 A1	6/2006	Jerome et al.
7,354,411 B2	4/2008	Perry et al.	2006/0135902 A1	6/2006	Ingimundarson et al.
RE40,363 E	6/2008	Grim et al.	2006/0156517 A1	7/2006	Hammerslag et al.
7,384,584 B2	6/2008	Jerome et al.	2006/0189907 A1	8/2006	Pick et al.
D575,039 S	8/2008	Amado et al.	2006/0217649 A1	9/2006	Rabe
D576,781 S *	9/2008	Chang D2/946	2006/0229541 A1	10/2006	Hassler et al.
7,418,755 B2	9/2008	Bledsoe et al.	2007/0167884 A1	7/2007	Mangrum et al.
D583,956 S	12/2008	Chang et al.	2007/0169378 A1	7/2007	Sodeberg et al.
7,493,706 B2	2/2009	Cho et al.	2007/0185425 A1	8/2007	Einarsson et al.
D592,755 S	5/2009	Chang et al.	2007/0191749 A1	8/2007	Barberio
D592,756 S	5/2009	Chang et al.	2007/0282230 A1	12/2007	Valderrabano et al.
D596,301 S	7/2009	Campos et al.	2007/0293798 A1	12/2007	Hu et al.
D596,386 S	7/2009	Brambilla	2008/0060167 A1	3/2008	Hammerslag et al.
7,591,050 B2	9/2009	Hammerslag	2008/0060168 A1	3/2008	Hammerslag et al.
D603,155 S	11/2009	Della Valle et al.	2008/0066272 A1	3/2008	Hammerslag et al.
D614,775 S	4/2010	Snively	2008/0066345 A1	3/2008	Hammerslag et al.
D615,285 S	5/2010	Martin	2008/0066346 A1	3/2008	Hammerslag et al.
D616,556 S	5/2010	Hu	2008/0083135 A1	4/2008	Hammerslag et al.
7,717,869 B2	5/2010	Eischen, Sr.	2008/0294082 A1	11/2008	Chang et al.
7,727,174 B2	6/2010	Chang et al.	2008/0294083 A1	11/2008	Chang et al.
D622,494 S	8/2010	Warren	2009/0012482 A1	1/2009	Pinto et al.
			2009/0270820 A1	10/2009	Johnson et al.
			2009/0287127 A1	11/2009	Hu et al.
			2009/0287128 A1	11/2009	Ingimundarson et al.
			2010/0069808 A1	3/2010	Mitchell
			2010/0100020 A1	4/2010	Fout et al.

(56)

References Cited

U.S. PATENT DOCUMENTS

2010/0234782 A1 9/2010 Hu et al.
 2010/0324461 A1 12/2010 Darby, II et al.
 2011/0009791 A1 1/2011 Hopmann
 2011/0015555 A1 1/2011 Anderson et al.
 2012/0035560 A1 2/2012 Eddy et al.
 2012/0078148 A1 3/2012 Hu et al.
 2012/0220960 A1 8/2012 Ruland
 2012/0238924 A1 9/2012 Avni
 2013/0066247 A1 3/2013 Bird et al.
 2013/0310721 A1 11/2013 HU et al.
 2014/0128789 A1* 5/2014 Chen A61F 5/0195
 602/23
 2014/0171837 A1 6/2014 Harcourt
 2014/0276310 A1 9/2014 Grim et al.
 2014/0350446 A1* 11/2014 Gunnsteinsson A61F 5/0111
 602/27
 2015/0088046 A1* 3/2015 Walborn A61F 5/0111
 602/27

FOREIGN PATENT DOCUMENTS

EP 0 095 396 A1 11/1983
 EP 0 201 051 A1 11/1986
 EP 0770368 A1 5/1997
 EP 2468323 A1 6/2012
 FR 2 399 811 A1 3/1979
 FR 2634988 A1 2/1990
 FR 2 681 516 A1 3/1993
 GB 2 124 473 A 2/1984
 GB 2 178 940 A 2/1987
 JP 2005211626 A 8/2005
 WO 93/13685 A1 7/1993
 WO 93/24081 A1 12/1993
 WO 94/18863 A1 9/1994
 WO 97/36507 A1 10/1997
 WO 2004/021817 A1 3/2004
 WO 2006035469 A2 4/2006
 WO 2006045079 A1 4/2006
 WO 2007078845 A2 7/2007

WO 2010104824 A1 9/2010
 WO 2013/084213 A1 6/2013
 WO 2015006766 A1 1/2015

OTHER PUBLICATIONS

Product Information Sheet: Nextep Contour Walker, Procure, DJ Orthopedics, Jan. 1, 2008, 1 page. Retrieved from the internet, www.djortho.com.
 Product Information Sheet: Nextep Contour w/Air Walker, Procure, DJ Orthopedics, Jan. 1, 2008, 1 page. Retrieved from internet, www.djortho.com.
 Product Information Sheet: XP Achilles Walker (EU only), Aircast, Jan. 1, 2008, 4 pages. Retrieved from the internet, <http://www.aircast.com/index.asp/fuseaction/products.detail/cat/2/id/104>.
 Product Information Sheet: XP Diabetic Walker System, Aircast, Jan. 1, 2008, 4 pages. Retrieved from the internet, <http://www.aircast.com/index.asp/fuseaction/products.detail/cat/2/id/15>.
 Product Information Sheet: SP Walker (short pneumatic), Aircast, Jan. 1, 2008, 4 pages. Retrieved from the internet, <http://www.aircast.com/index.asp/fuseaction/products.detail/cat/2/id/14>.
 Product Information Sheet: FP Walker (foam pneumatic), Aircast, Jan. 1, 2008, 4 pages. Retrieved from the internet, <http://www.aircast.com/index.asp/fuseaction/products.detail/cat/2/id/75>.
 Product Information Sheet: XP Walker (extra pneumatic), Aircast, Jan. 1, 2008, 4 pages. Retrieved from the internet, <http://www.aircast.com/index.asp/fuseaction/products.detail/cat/2/id/76>.
 International Search Report and Written Opinion from International Application No. PCT/US2014/057421, Dec. 8, 2014.
 International Search Report and Written Opinion from International Application No. PCT/US2014/069686, Mar. 13, 2015.
 International Search Report and Written Opinion for International Application No. PCT/US2014/056201, Dec. 5, 2014.
 International Search Report from PCT Application No. PCT/US2016/014816, Apr. 28, 2016.
 European Search Report from corresponding European Application No. EP 15 20 0198.8, May 20, 2016.

* cited by examiner

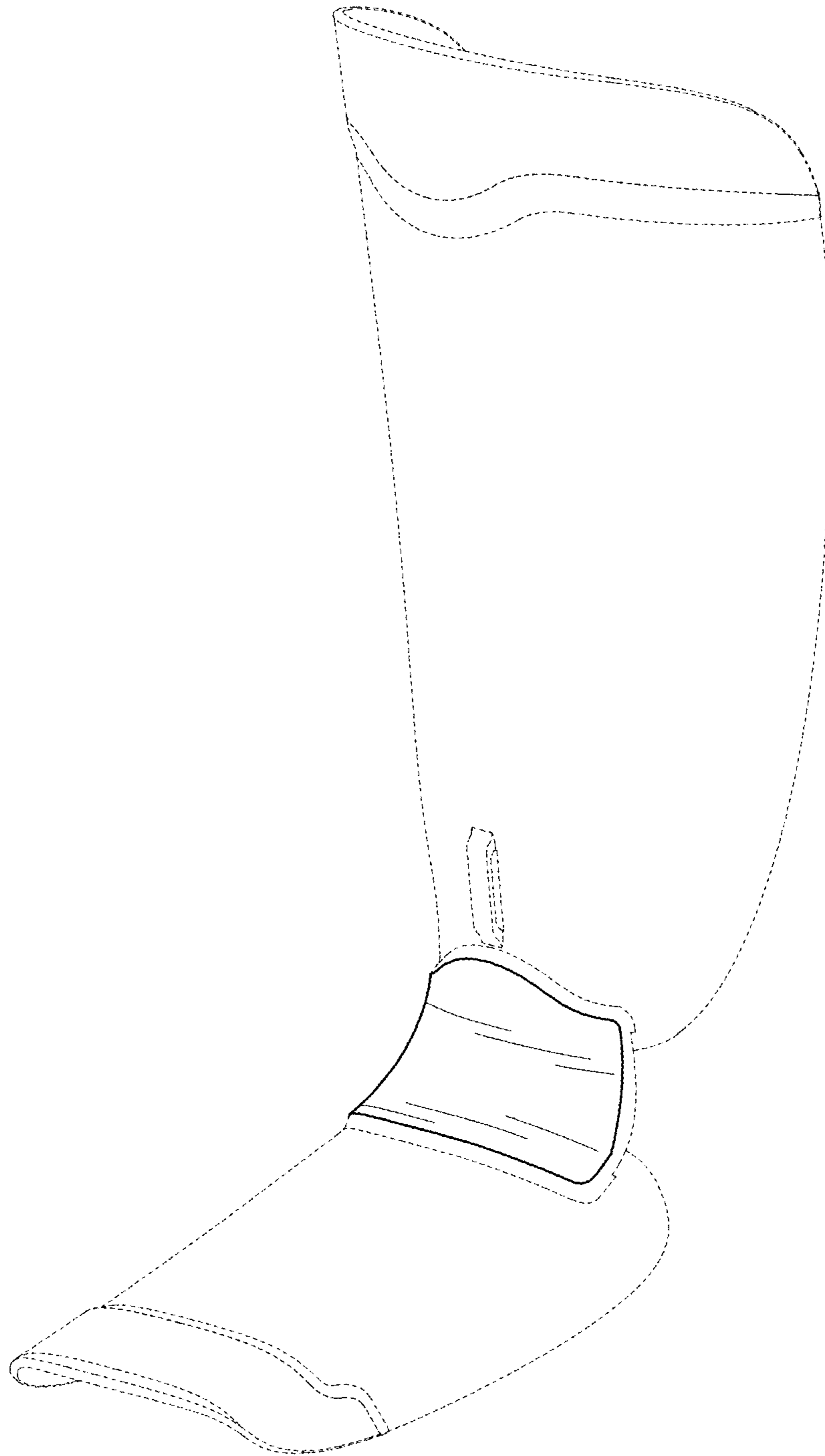


FIG. 1

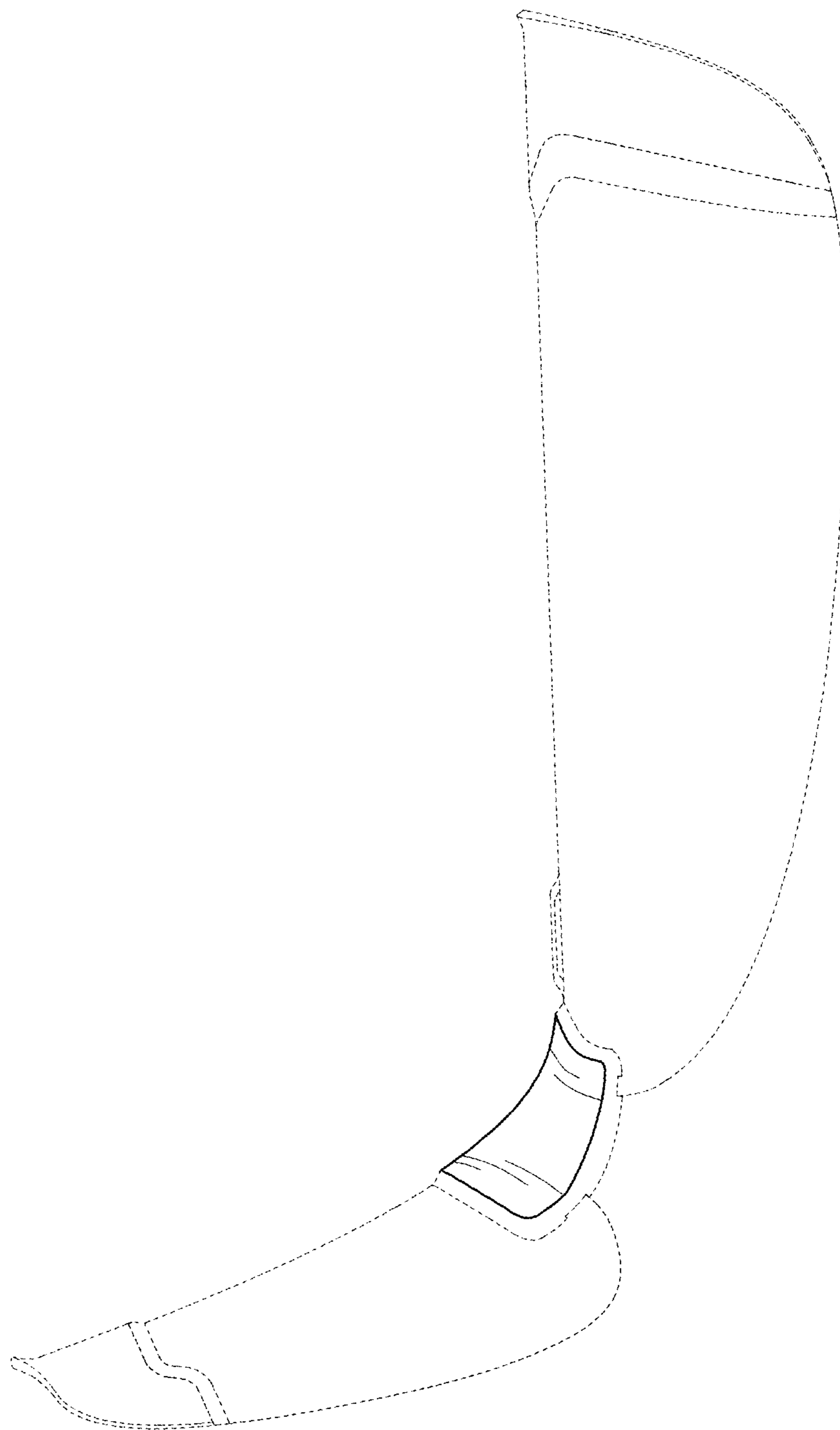


FIG. 2



FIG. 3

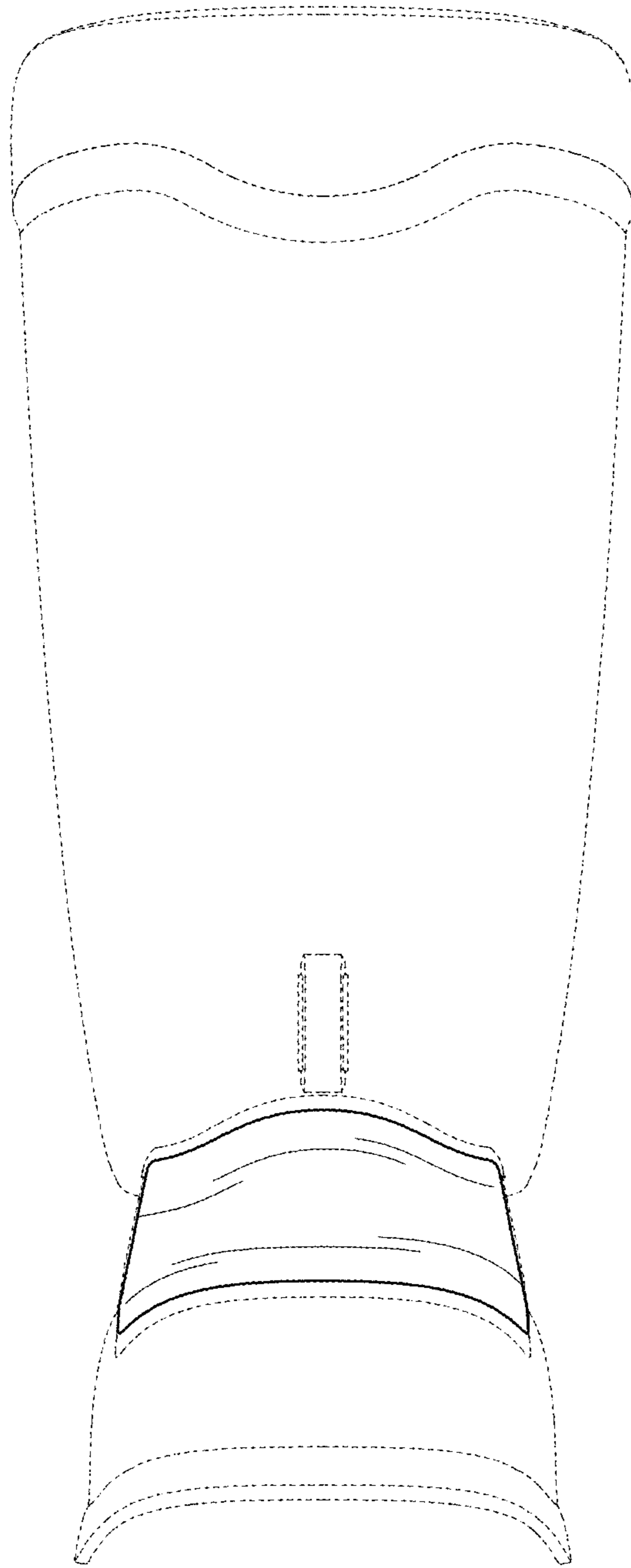


FIG. 4

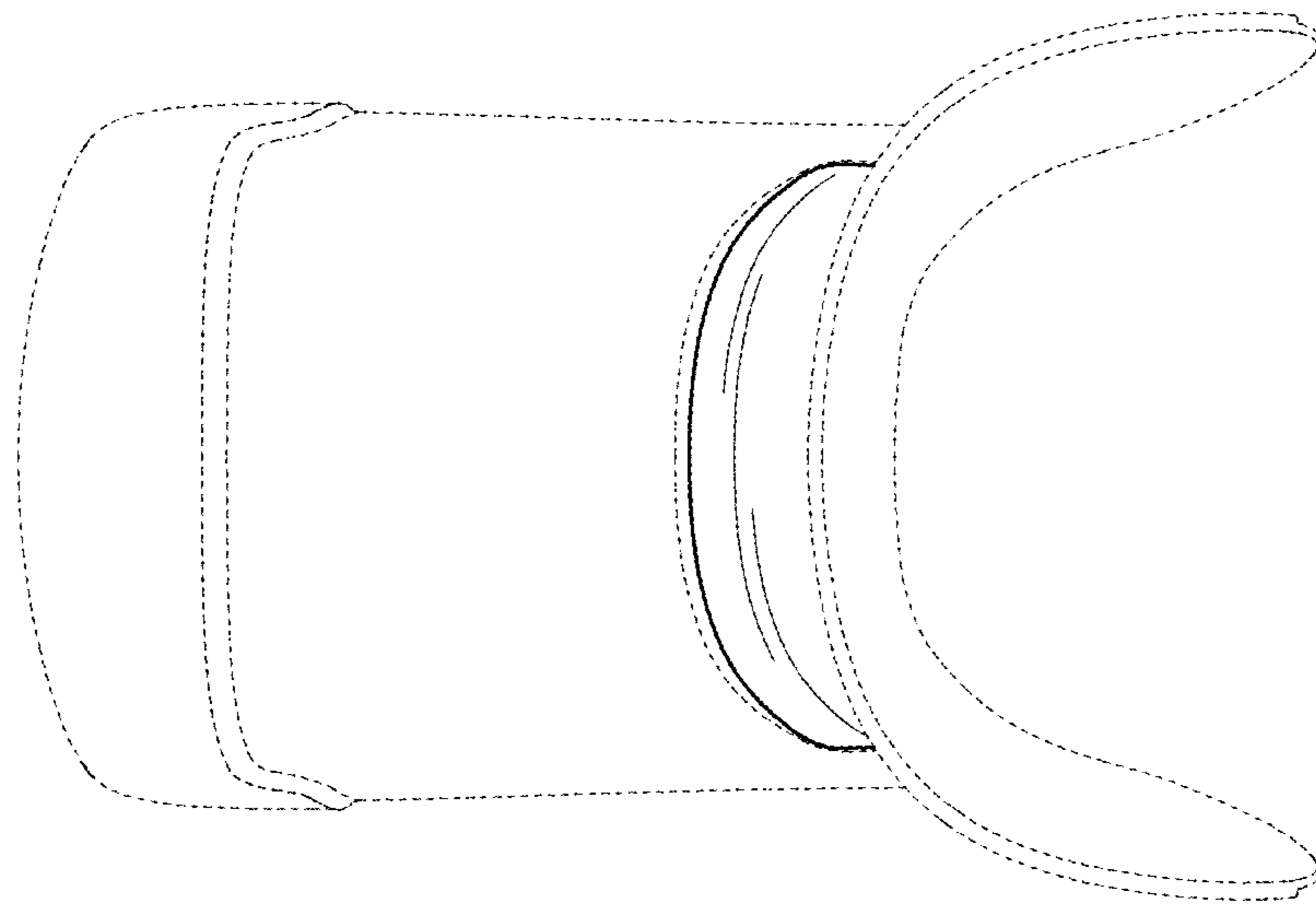


FIG. 5