



US00D772416S

(12) **United States Design Patent**
DeBord et al.

(10) **Patent No.:** **US D772,416 S**
(45) **Date of Patent:** **** Nov. 22, 2016**

(54) **ELECTROCARDIOGRAM LEAD SEPARATOR**
(71) Applicant: **MIDMARK CORPORATION**,
Versailles, OH (US)
(72) Inventors: **Jeff T. DeBord**, Worthington, OH (US);
Brent M. Willey, Anderson, SC (US);
Rainer B. Teufel, Worthington, OH
(US); **Chad Darling**, Santa Ana, CA
(US); **Asad Abu-Tarif**, Irvine, CA
(US); **Tony Capparelli**, Lake Forest,
CA (US)

(73) Assignee: **Midmark Corporation**, Versailles, OH
(US)

(**) Term: **15 Years**

(21) Appl. No.: **29/539,487**

(22) Filed: **Sep. 15, 2015**

(51) **LOC (10) Cl.** **24-02**

(52) **U.S. Cl.**
USPC **D24/167**

(58) **Field of Classification Search**
USPC D24/164-169, 186, 107, 129; D10/103;
D13/133, 154, 156, 184, 199
CPC A61B 5/04286; A61B 2562/222;
A61B 2562/227
See application file for complete search history.

(56) **References Cited**

U.S. PATENT DOCUMENTS

D376,427 S * 12/1996 Mahoney D24/168
5,937,950 A * 8/1999 Adams A61B 5/00
174/72 R

6,095,983 A * 8/2000 Wawro A61B 5/0225
600/485
D467,879 S * 12/2002 Lee D13/154
7,059,878 B1 * 6/2006 Hendrixson A61N 1/0587
439/171
D571,733 S * 6/2008 Seil D13/156
D582,555 S * 12/2008 Osypka D24/167
D713,524 S * 9/2014 Aguirre D24/129
D717,445 S * 11/2014 Lu D24/167
D727,854 S * 4/2015 Chance D13/156

* cited by examiner

Primary Examiner — Anhdao Doan

(74) *Attorney, Agent, or Firm* — Frost Brown Todd LLC

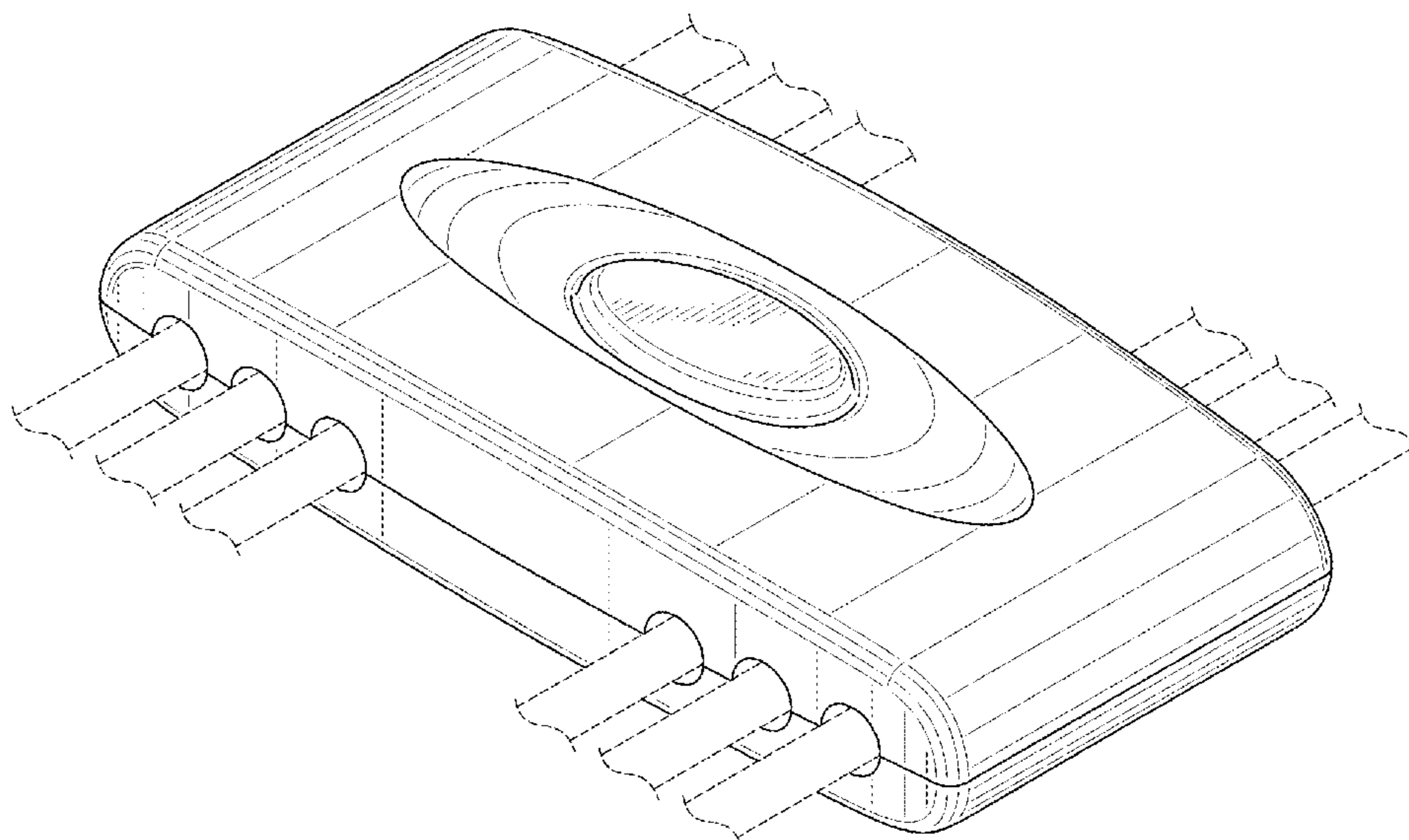
(57) **CLAIM**

The ornamental design for an electrocardiogram lead separator, as shown and described.

DESCRIPTION

FIG. 1 is a top perspective view of an electrocardiogram lead separator, showing our new design;
FIG. 2 is a front elevational view thereof, with the back elevational view being the same;
FIG. 3 is a right elevational view thereof, with the left elevational view being the same;
FIG. 4 is a top plan view thereof; and,
FIG. 5 is a bottom plan view thereof.
The wires and fasteners shown in broken lines are unclaimed environment, and form no part of the claimed design.

1 Claim, 4 Drawing Sheets



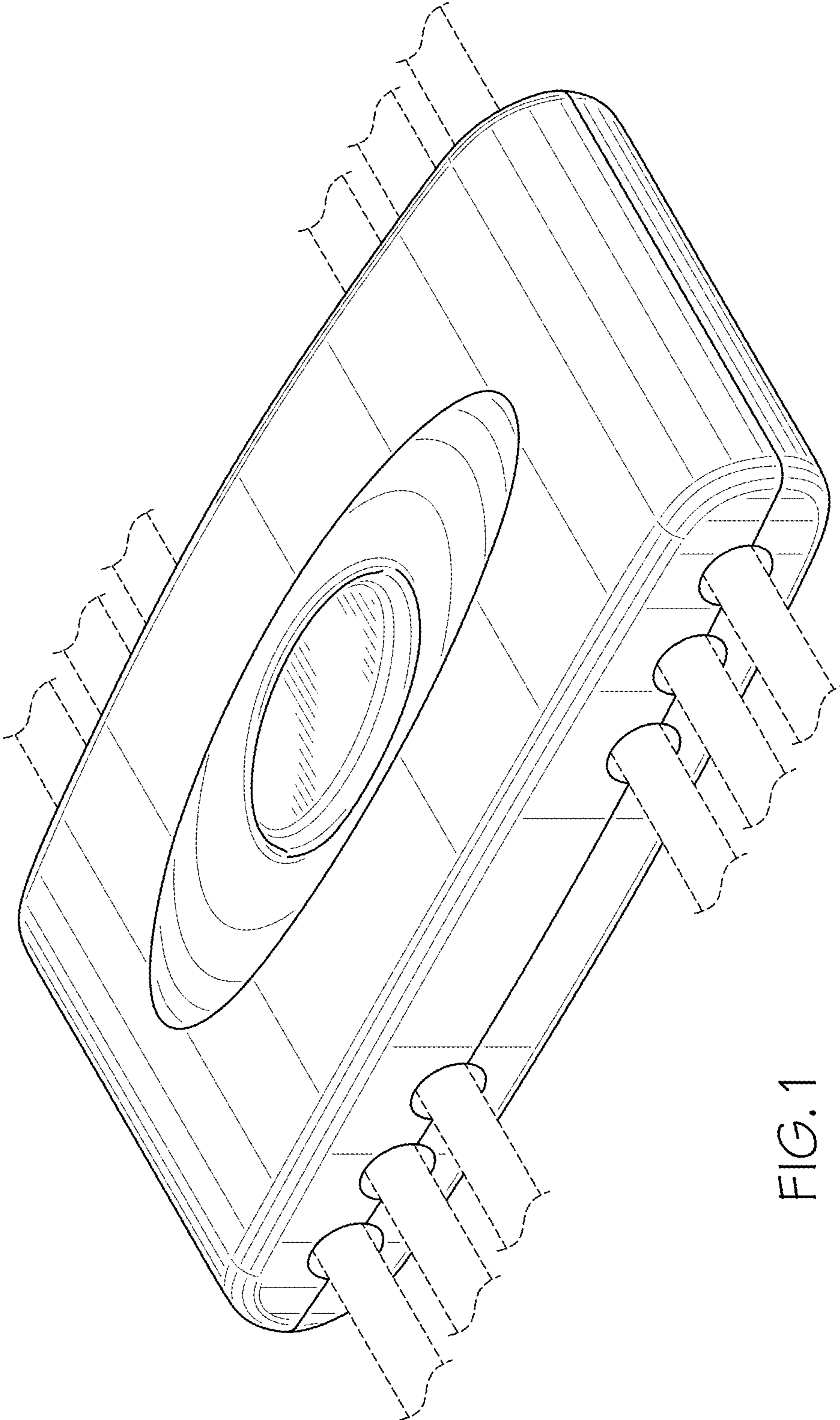


FIG. 1

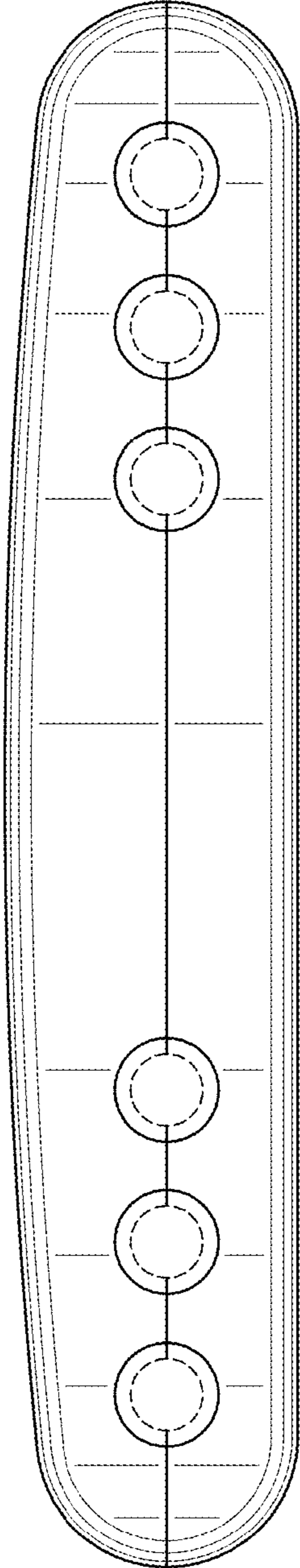


FIG. 2

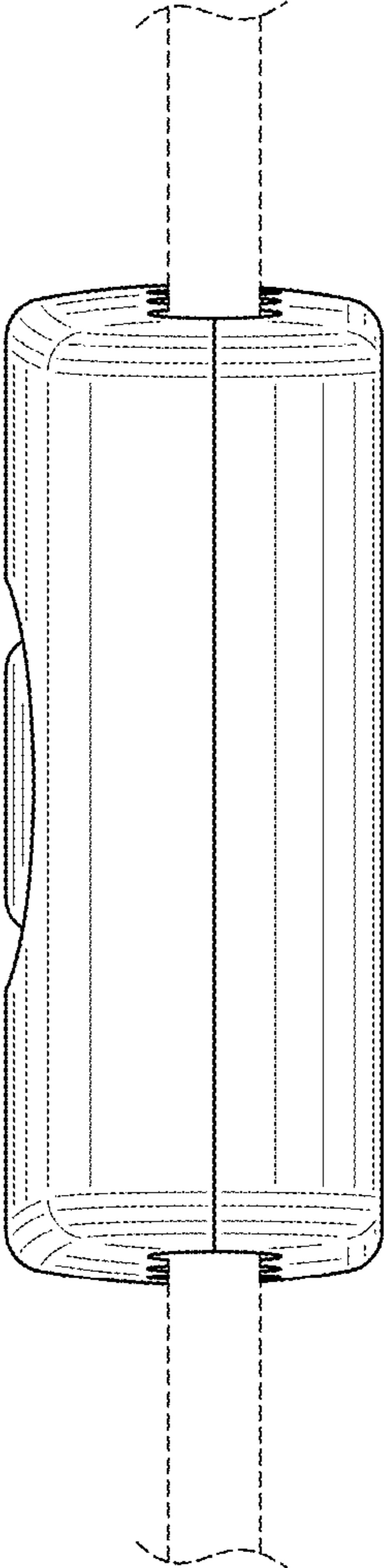


FIG. 3

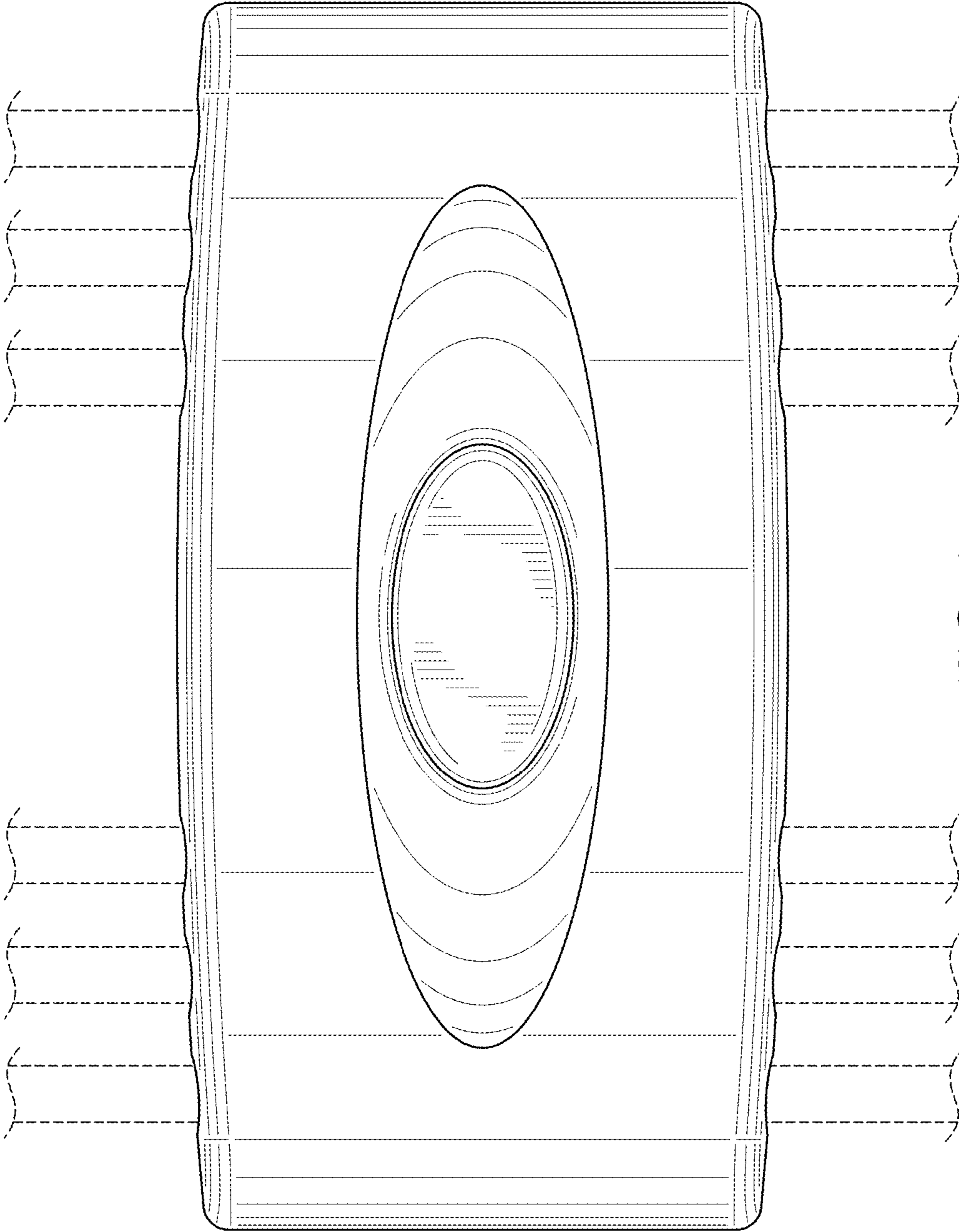


FIG. 4

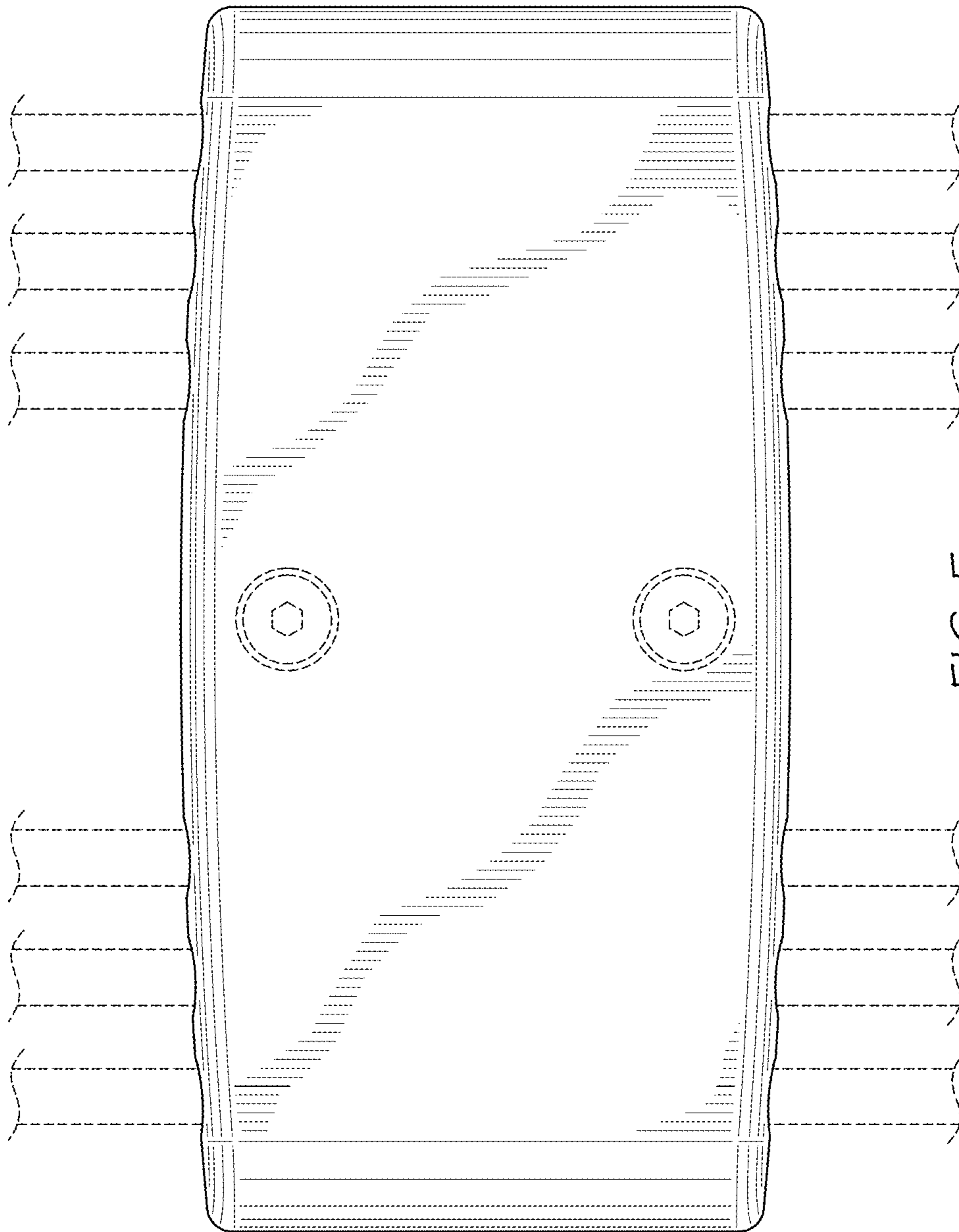


FIG. 5