



US00D772415S

(12) **United States Design Patent** (10) **Patent No.:** **US D772,415 S**
Ballsieper (45) **Date of Patent:** **** Nov. 22, 2016**

(54) **X-RAY SHIELD** 4,254,341 A 3/1981 Herr et al.
D259,139 S 5/1981 Johnson
(71) Applicant: **Mavig GmbH**, München (DE) D300,945 S 5/1989 Fleming et al.
4,923,162 A 5/1990 Fleming
(72) Inventor: **Barbara Ballsieper**, München (DE) D310,905 S 10/1990 Marchione
D326,932 S * 6/1992 Millar D29/110
(73) Assignee: **Mavig GmbH**, München (DE) D349,577 S 8/1994 Sayles
D424,198 S 5/2000 Shepherd et al.
(**) Term: **15 Years** (Continued)

(21) Appl. No.: **29/553,475**
(22) Filed: **Feb. 2, 2016**

Related U.S. Application Data

(63) Continuation of application No. 29/503,390, filed on Sep. 25, 2014, now Pat. No. Des. 751,710.

Foreign Application Priority Data

(30) Jun. 17, 2014 (EM) 002484469

(51) **LOC (10) Cl.** **24-01**
(52) **U.S. Cl.**
USPC **D24/158**
(58) **Field of Classification Search**
USPC D24/158-161, 231; D29/100, 101.1,
D29/110; D2/860, 861
CPC A61B 6/107; G21F 3/00; G21F 3/02;
G21Y 2004/30; A61N 2005/1094
See application file for complete search history.

References Cited

U.S. PATENT DOCUMENTS

1,636,419 A 7/1927 Hollander
2,239,223 A 4/1941 Gilman
2,794,128 A 5/1957 Shasky
D238,615 S 1/1976 Maler
D241,378 S 9/1976 Burger
D249,278 S 9/1978 Milligan
4,196,355 A 4/1980 Maine

FOREIGN PATENT DOCUMENTS

CN 201375521 Y 1/2010
JP 2000-166916 A 6/2000
KR 10-2012-0084574 A 7/2012

OTHER PUBLICATIONS

Radiation Protection Shields & Drapes of the company Radpad, USA (www.radpad.com), 3 pages.
(Continued)

Primary Examiner — Anhdao Doan
(74) *Attorney, Agent, or Firm* — Nixon & Vanderhye P.C.

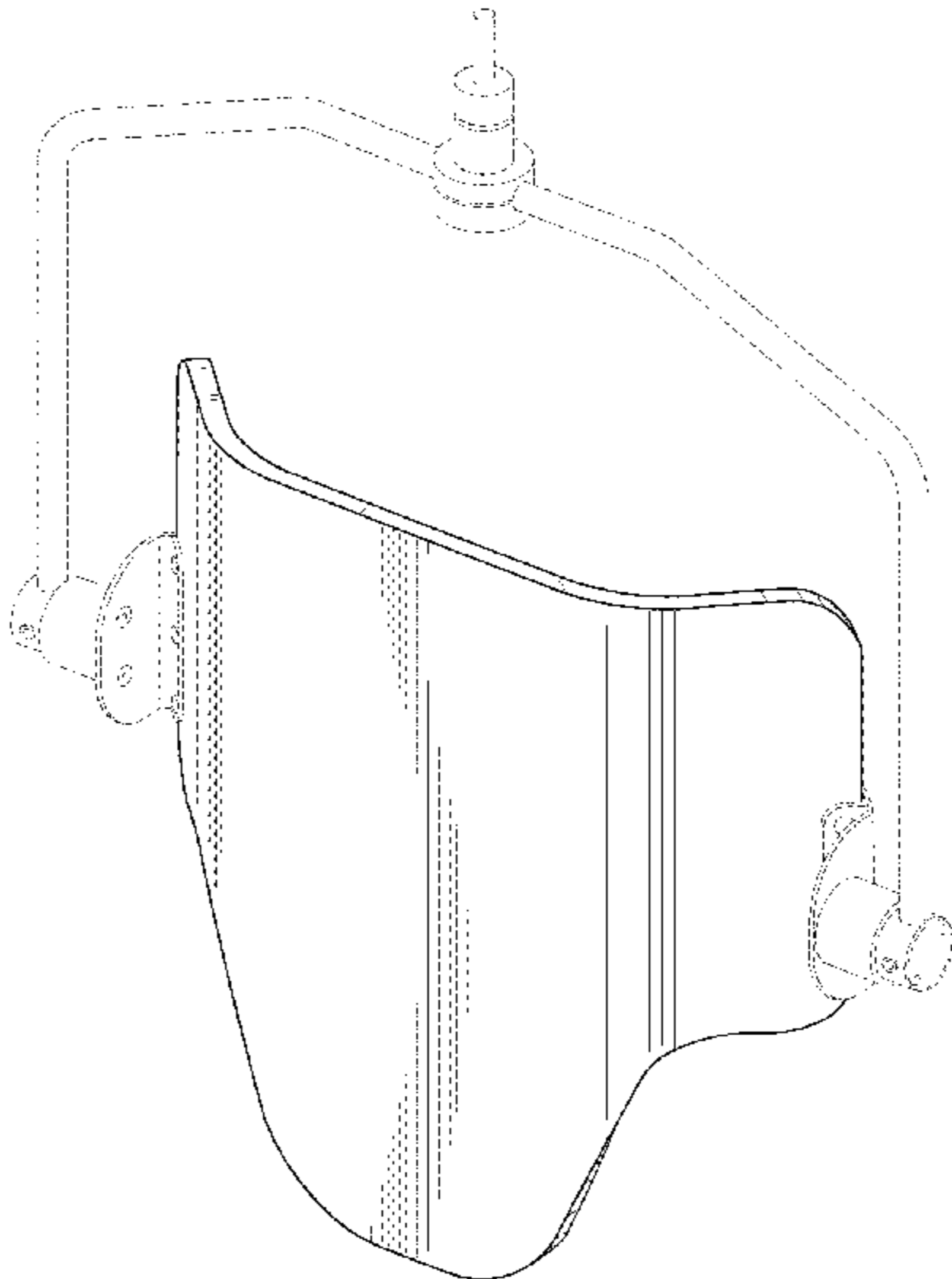
CLAIM

(57) The ornamental design for an x-ray shield, as shown and described.

DESCRIPTION

FIG. 1 is a front perspective view of the x-ray shield showing my new design;
FIG. 2 is a rear view thereof;
FIG. 3 is a left side view thereof, the right side view being a mirror image; and,
FIG. 4 is a top view thereof.
The broken lines represent environmental structure and are for illustrative purposes only. The broken lines form no part of the claimed design.

1 Claim, 4 Drawing Sheets



(56)

References Cited

U.S. PATENT DOCUMENTS

6,495,265 B1 * 12/2002 Krebs G21F 1/12
156/307.3

6,703,632 B1 3/2004 Macklis

D504,194 S 4/2005 Canavan

D533,316 S * 12/2006 Canavan D29/110

D556,324 S 11/2007 Oddsdottir et al.

7,294,845 B2 11/2007 Ballsieper

D569,044 S 5/2008 Crye

7,608,847 B2 10/2009 Rees

7,744,278 B2 6/2010 Barkow et al.

D629,109 S 12/2010 Phillips

D629,110 S 12/2010 Brettle et al.

8,598,554 B2 * 12/2013 Rees A61B 6/107
250/516.1

D716,449 S 10/2014 Ballsieper

2007/0089596 A1 * 4/2007 Huber F41H 5/0428
89/36.02

2009/0323892 A1 12/2009 Hitzke

2012/0186590 A1 7/2012 Byers

2013/0270462 A1 10/2013 Beck

2013/0299723 A1 11/2013 Murase

2015/0041686 A1 2/2015 Pizarro

OTHER PUBLICATIONS

Radiation Protection Covers, Kenex, Great Britain, www.kenex.co.uk.

Radiation Protection Covers, Aadco, U.S.A., www.aadcomed.com.

Radiation Protection Covers, Beijing Huaren, China, bjuaren.com.

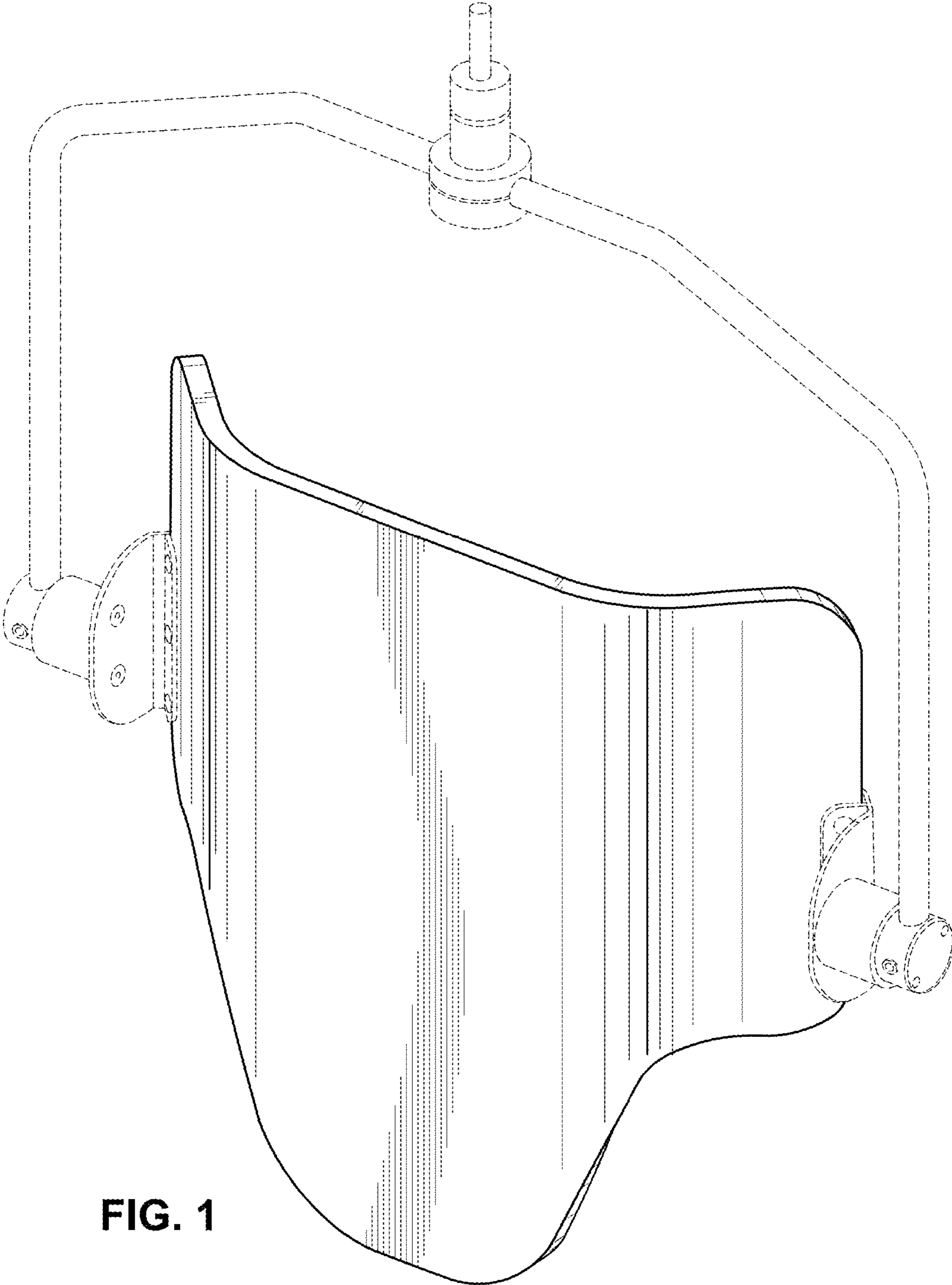
Radiation Protection Covers, Mavig, USA.

U.S. Appl. No. 29/466,485, filed Sep. 9, 2013, Ballsieper.

U.S. Appl. No. 29/502,311, filed Sep. 15, 2014, Ballsieper.

U.S. Appl. No. 29/503,390, filed Sep. 25, 2014, Ballsieper.

* cited by examiner



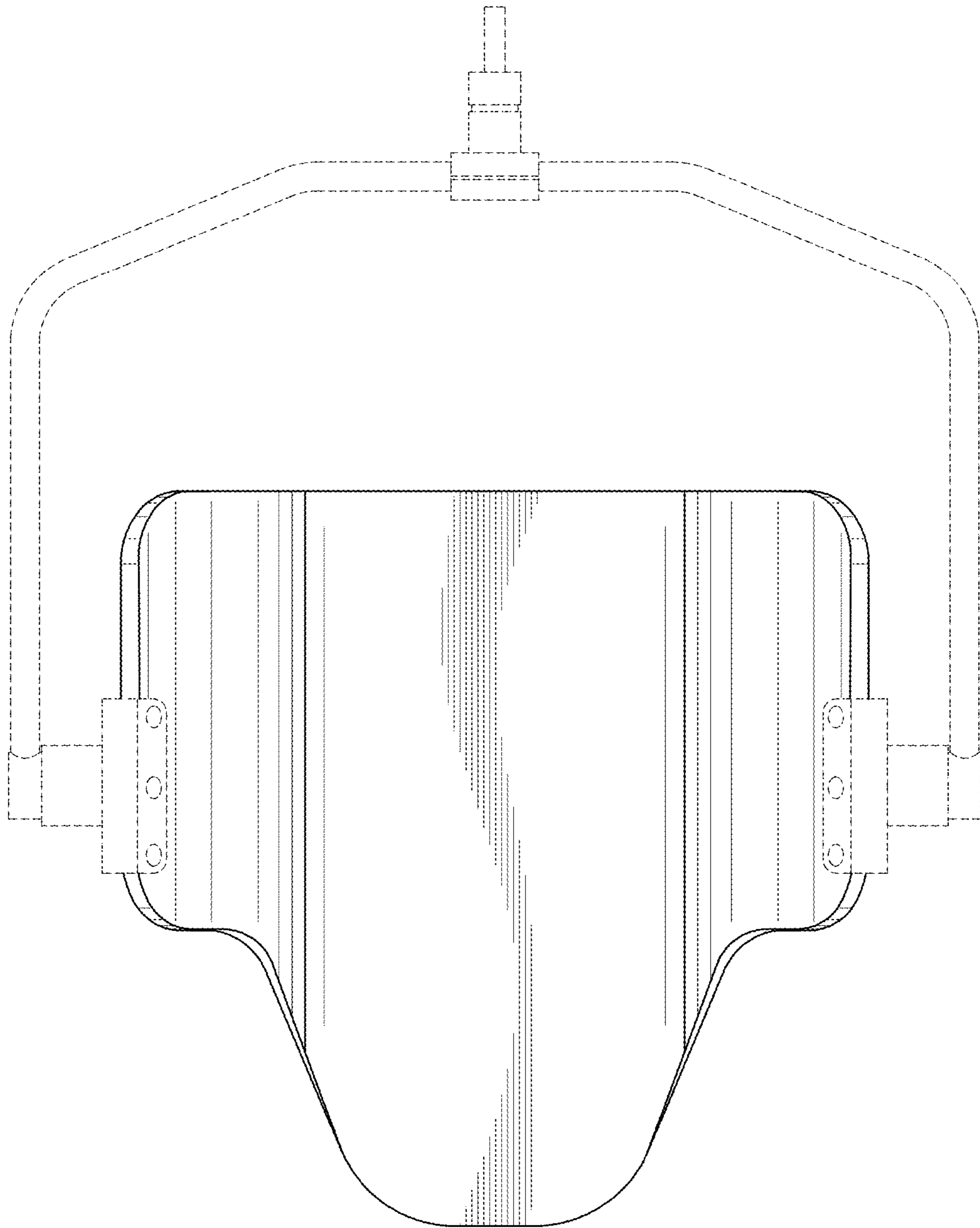


FIG. 2

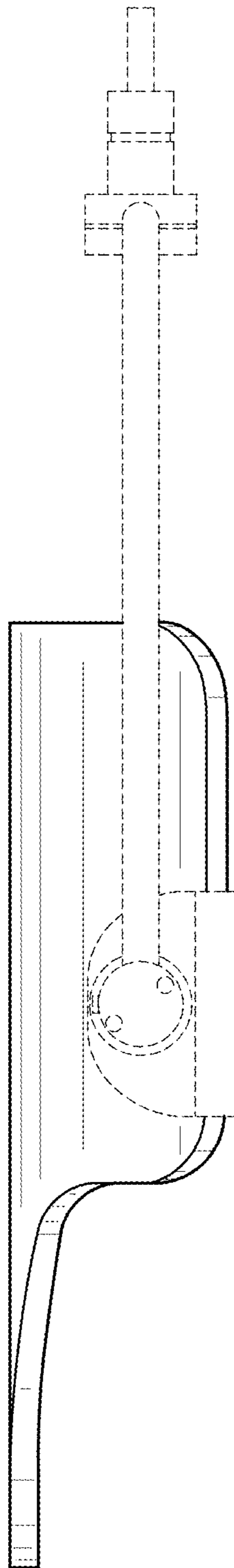


FIG. 3

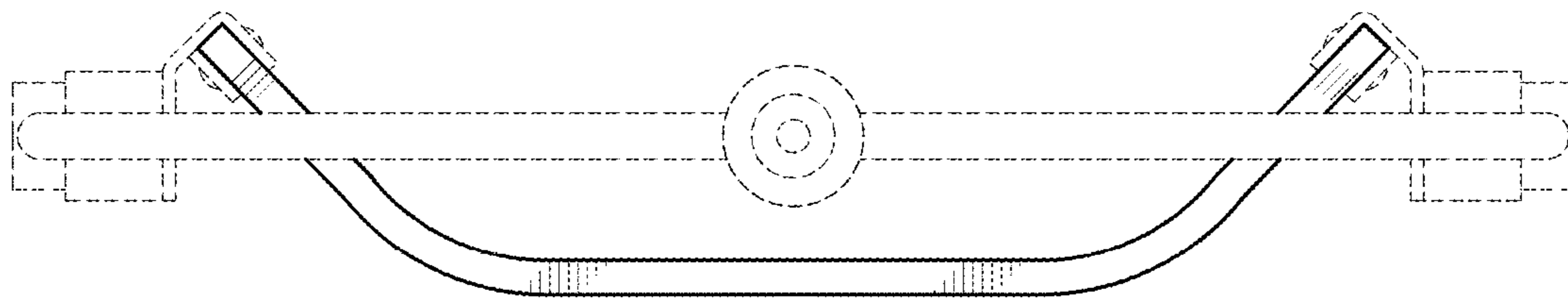


FIG. 4