



US00D772408S

(12) **United States Design Patent** (10) **Patent No.:** **US D772,408 S**
Alexander et al. (45) **Date of Patent:** **** *Nov. 22, 2016**

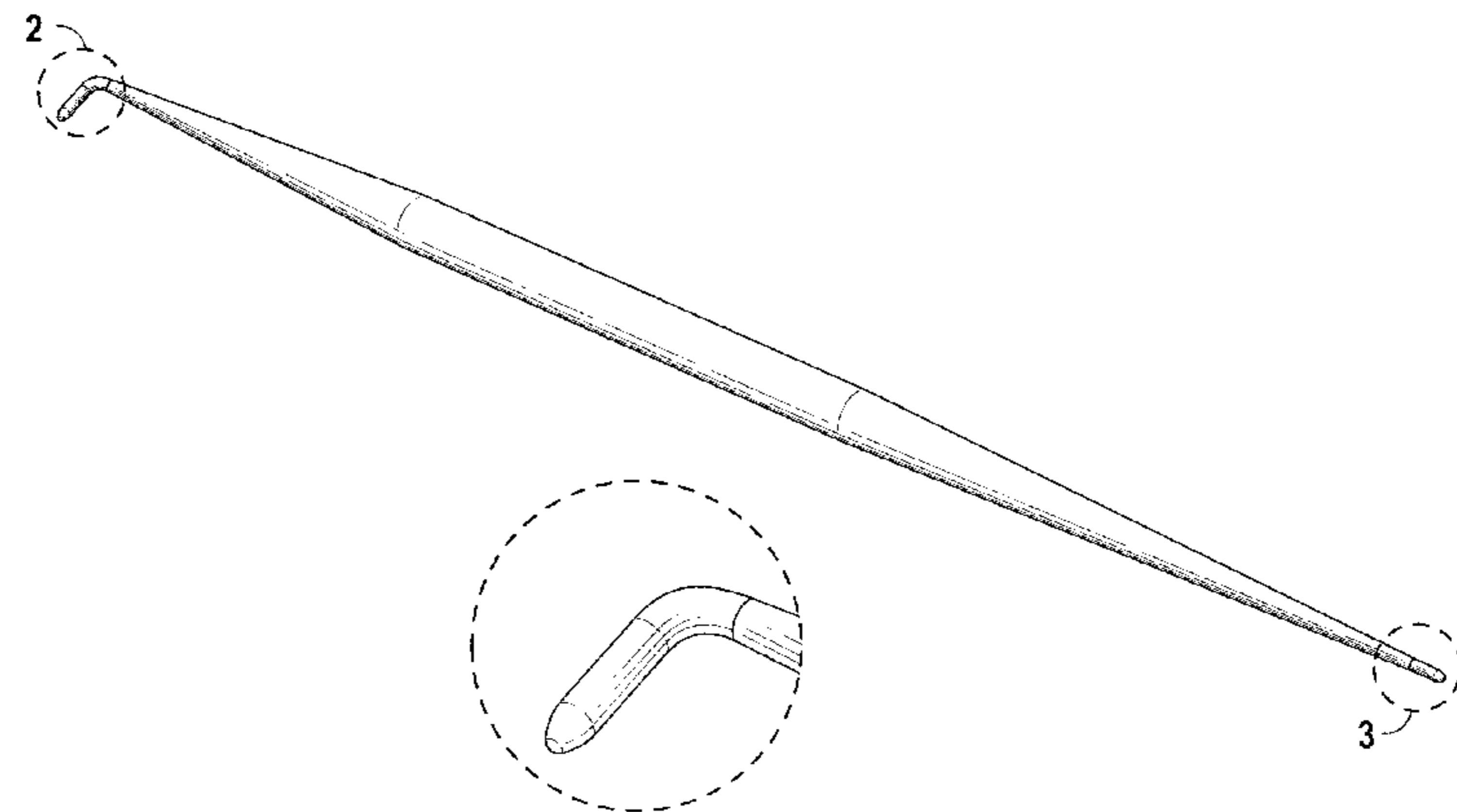
(54) **NASAL DILATOR**
(71) Applicants: **Ian J. Alexander**, Los Alamos, NM (US); **Brian D. Owens**, Plano, TX (US)
(72) Inventors: **Ian J. Alexander**, Los Alamos, NM (US); **Brian D. Owens**, Plano, TX (US)
(73) Assignee: **SIMPLICITY**, Springville, UT (US)
(*) Notice: This patent is subject to a terminal disclaimer.
(**) Term: **14 Years**
(21) Appl. No.: **29/496,118**
(22) Filed: **Jul. 9, 2014**
(51) **LOC (10) Cl.** **24-02**
(52) **U.S. Cl.**
USPC **D24/135**
(58) **Field of Classification Search**
USPC D24/135, 112, 130, 133, 140, 147, 149;
600/200, 202, 184, 220-227, 201, 203,
600/210-218; 606/191-200
CPC A61F 5/08; A61M 29/00; A61M 29/02;
A61B 17/24; A61B 1/233; A61B
2018/00327; A61B 5/6819
See application file for complete search history.

D516,722 S	3/2006	Mak	
D531,727 S	11/2006	Mak	
D586,914 S *	2/2009	DaSilva	D24/135
7,771,409 B2	8/2010	Chang et al.	
D623,741 S	9/2010	Kupferschmid et al.	
7,803,150 B2	9/2010	Chang et al.	
D629,896 S	12/2010	Horton	
D631,962 S *	2/2011	Dorman	D24/135
D648,021 S *	11/2011	Dorman	D24/135
D652,519 S *	1/2012	Miles	D24/135
D652,921 S *	1/2012	Miles	D24/135
D652,922 S *	1/2012	Miles	D24/135
8,172,828 B2	5/2012	Chang et al.	
8,182,432 B2	5/2012	Kim et al.	
D666,292 S *	8/2012	Miles	D24/135
D666,293 S *	8/2012	Miles	D24/135
D666,294 S *	8/2012	Miles	D24/135
8,679,103 B2	3/2014	Krespi	
8,721,591 B2	5/2014	Chang et al.	
2004/0073141 A1	4/2004	Hartley et al.	
2010/0071857 A1	3/2010	Hung	
2010/0198247 A1	8/2010	Chang et al.	
2010/0203474 A1	8/2010	Chen	
2011/0021975 A1	1/2011	Covello	
2011/0022172 A1	1/2011	Gonzales et al.	
2012/0053404 A1	3/2012	Schreck et al.	
2012/0071857 A1	3/2012	Goldfarb et al.	
2012/0330345 A1	12/2012	Tasca	
2013/0253567 A1	9/2013	Edgren et al.	
2013/0274600 A1	10/2013	Jenkins et al.	
2015/0066071 A1 *	3/2015	Alexander	A61F 5/08 606/199

(56) **References Cited**
U.S. PATENT DOCUMENTS
D247,512 S * 3/1978 Sandler 606/191
D275,227 S * 8/1984 Garner, Jr. D24/135
D379,227 S 5/1997 Rosen
D382,342 S 8/1997 Rosen
6,010,520 A * 1/2000 Pattison A61M 29/00
606/191
D436,174 S 1/2001 Komamura
D438,954 S 3/2001 Orsing
D439,979 S 4/2001 Strobel et al.
D442,687 S 5/2001 Schulz
D453,378 S 2/2002 Mangione
D460,555 S 7/2002 Holbrook
D485,358 S * 1/2004 Woo D24/135

OTHER PUBLICATIONS

CN102526868, Xiuxang Song—English Translation Jul. 4, 2012.
CN202179770, Yongsheng Tian—English translation Apr. 4, 2012.
* cited by examiner
Primary Examiner — Wan Laymon
Assistant Examiner — Mark Booker
(74) *Attorney, Agent, or Firm* — Goodhue, Coleman & Owens, P.C.



(57)

CLAIM

The ornamental design for a nasal dilator, as shown and described.

DESCRIPTION

FIG. 1 is a perspective view of a nasal dilator showing our new design;

FIG. 2 is an enlarged view of the left side of the nasal dilator shown in FIG. 1 taken along line 2;

FIG. 3 is an enlarged view of the right side of the nasal dilator shown in FIG. 1 taken along line 3;

FIG. 4 is a front view of the nasal dilator shown in FIG. 1;

FIG. 5 is an enlarged view of the left side of the nasal dilator shown in FIG. 4 taken along line 5;

FIG. 6 is an enlarged view of the right side of the nasal dilator shown in FIG. 4 taken along line 6;

FIG. 7 is a back view of the nasal dilator shown in FIG. 1;

FIG. 8 is an enlarged view of the left side of the nasal dilator shown in FIG. 7 taken along line 8;

FIG. 9 is a top view of the nasal dilator shown in FIG. 1;

FIG. 10 is an enlarged view of the left side of the nasal dilator shown in FIG. 9 taken along line 10;

FIG. 11 is an enlarged end view of the right side of the nasal dilator shown in FIG. 1;

FIG. 12 is an enlarged end view of the left side of the nasal dilator shown in FIG. 1;

FIG. 13 is a perspective view of a nasal dilator showing another one of our new designs;

FIG. 14 is an enlarged view of the left side of nasal dilator shown in FIG. 13 taken along line 14;

FIG. 15 is an enlarged view of the right side of the nasal dilator shown in FIG. 13 taken along line 15;

FIG. 16 is a front view of the nasal dilator shown in FIG. 13;

FIG. 17 is an enlarged view of the left side of the nasal dilator shown in FIG. 16 taken along line 17;

FIG. 18 is an enlarged view of the right side of the nasal dilator shown in FIG. 16 taken along line 18;

FIG. 19 is a back view of the nasal dilator shown in FIG. 13;

FIG. 20 is an enlarged view of the left side of the nasal dilator shown in FIG. 19 taken along line 20;

FIG. 21 is a top view of the nasal dilator shown in FIG. 13;

FIG. 22 is an enlarged view of the left side of the nasal dilator shown in FIG. 21 taken along line 22;

FIG. 23 is an enlarged end view of the right side of the nasal dilator shown in FIG. 13

FIG. 24 is an enlarged end view of the left side of the nasal dilator shown in FIG. 13;

FIG. 25 is a perspective view of a nasal dilator showing another one of our new designs;

FIG. 26 is an enlarged view of the left side of the nasal dilator shown in FIG. 25 taken along line 26;

FIG. 27 is an enlarged view of the right side of the nasal dilator shown in FIG. 25 taken along line 27;

FIG. 28 is a front view of the nasal dilator shown in FIG. 25;

FIG. 29 is an enlarged view of the left side of the nasal dilator shown in FIG. 28 taken along line 29;

FIG. 30 is an enlarged view of right side of the nasal dilator shown in FIG. 28 taken along line 30;

FIG. 31 is a back view of the nasal dilator shown in FIG. 25;

FIG. 32 is an enlarged view of the left side of the nasal dilator shown in FIG. 31 taken along line 32;

FIG. 33 is a top view of the nasal dilator shown in FIG. 25;

FIG. 34 is an enlarged view of the left side of the nasal dilator shown in FIG. 33 taken along line 34;

FIG. 35 is an enlarged end view of the right side of the nasal dilator shown in FIG. 25;

FIG. 36 is an enlarged end view of the left side of the nasal dilator shown in FIG. 25;

FIG. 37 is a perspective view of a nasal dilator showing another one of our new designs;

FIG. 38 is an enlarged view of the left side of the nasal dilator shown in FIG. 37 taken along line 38;

FIG. 39 is an enlarged view of the right side of the nasal dilator shown in FIG. 37 taken along line 39;

FIG. 40 is a front view of the nasal dilator shown in FIG. 37;

FIG. 41 is an enlarged view of the left side of the nasal dilator shown in FIG. 40 taken along line 41.

FIG. 42 is an enlarged view of the right side of the nasal dilator shown in FIG. 40 taken along line 42;

FIG. 43 is a back view of the nasal dilator shown in FIG. 37;

FIG. 44 is an enlarged view of the left side of the nasal dilator shown in FIG. 43 taken along line 44;

FIG. 45 is a top view of the nasal dilator shown in FIG. 37;

FIG. 46 is an enlarged view of the left side of the nasal dilator shown in FIG. 45 taken along line 46;

FIG. 47 is an enlarged end view of the fight side of the nasal dilator shown in FIG. 37; and,

FIG. 48 is an enlarged end view of the left side of the nasal dilator shown in FIG. 37.

1 Claim, 16 Drawing Sheets

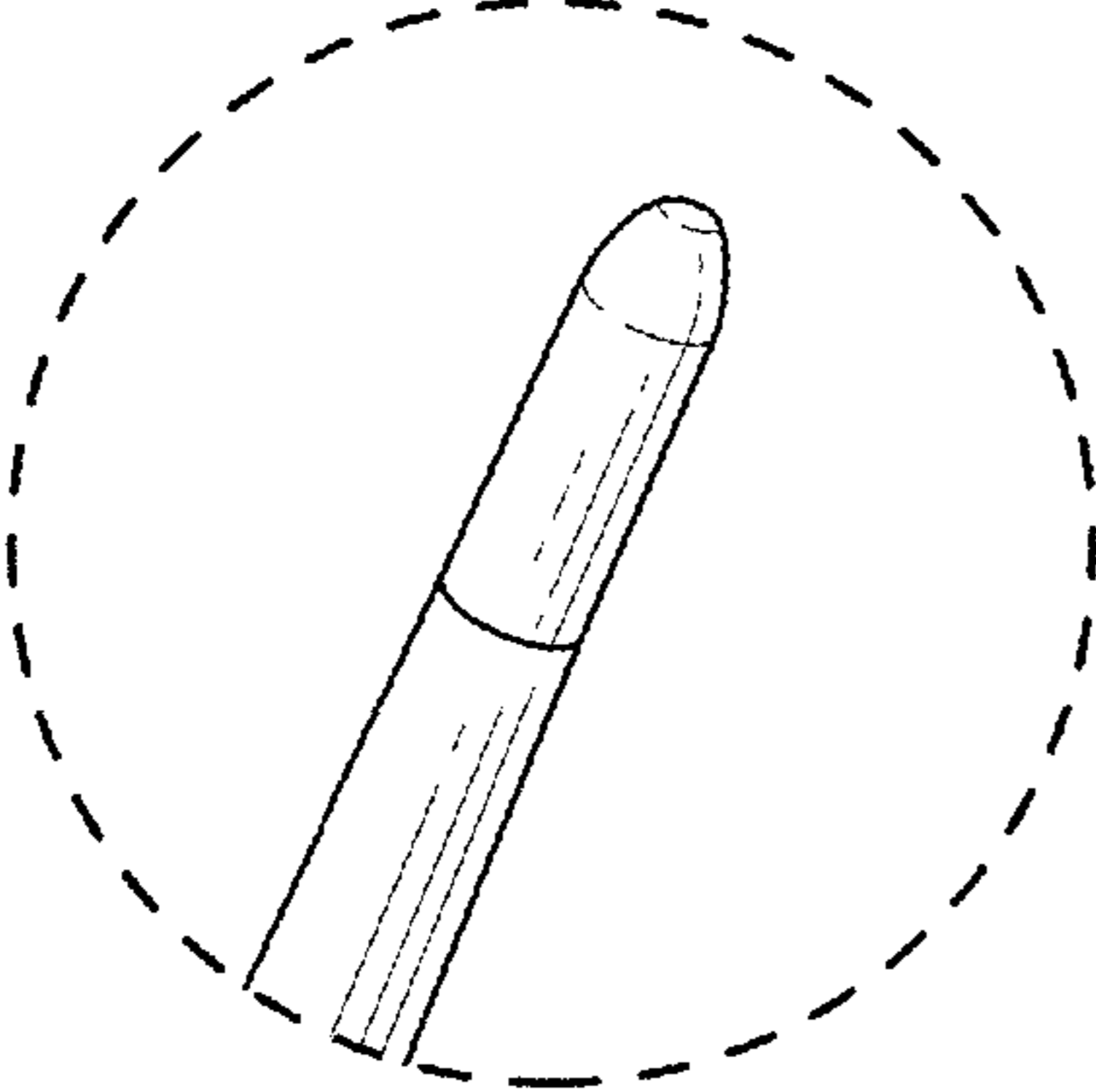


FIG. 3

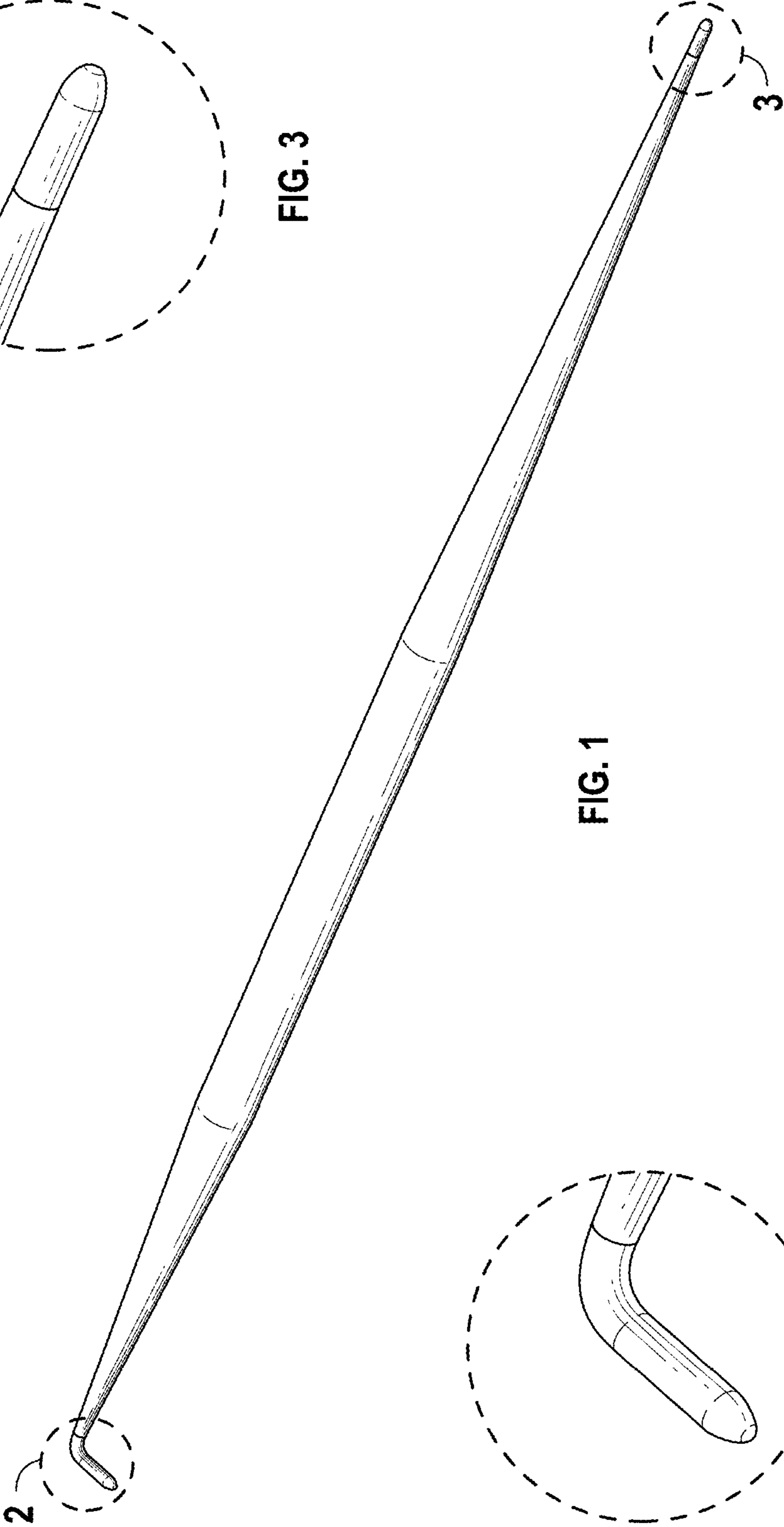


FIG. 1

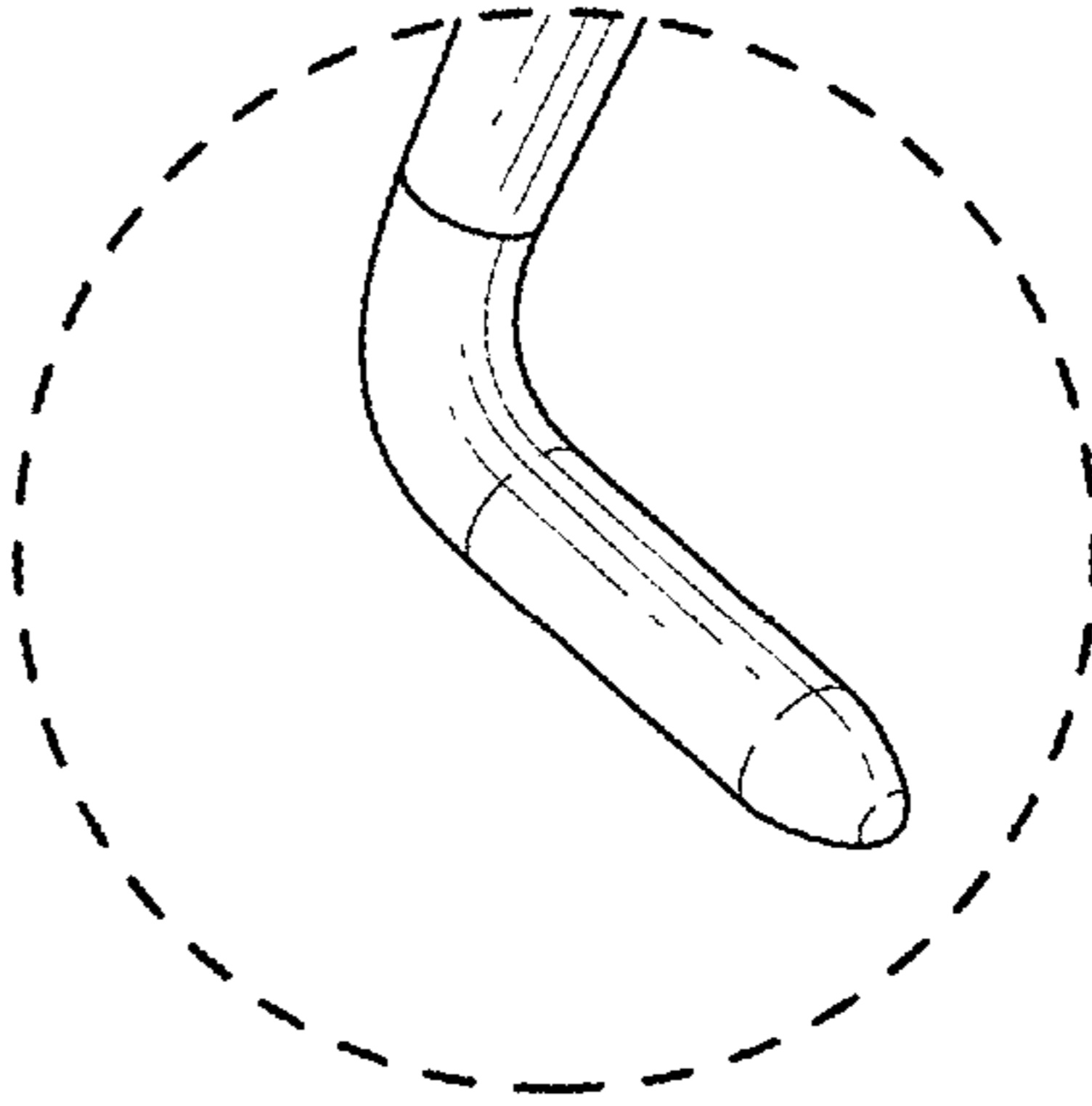


FIG. 2

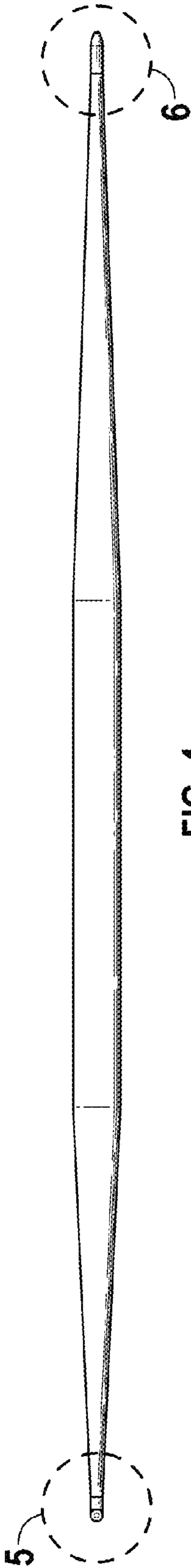


FIG. 4

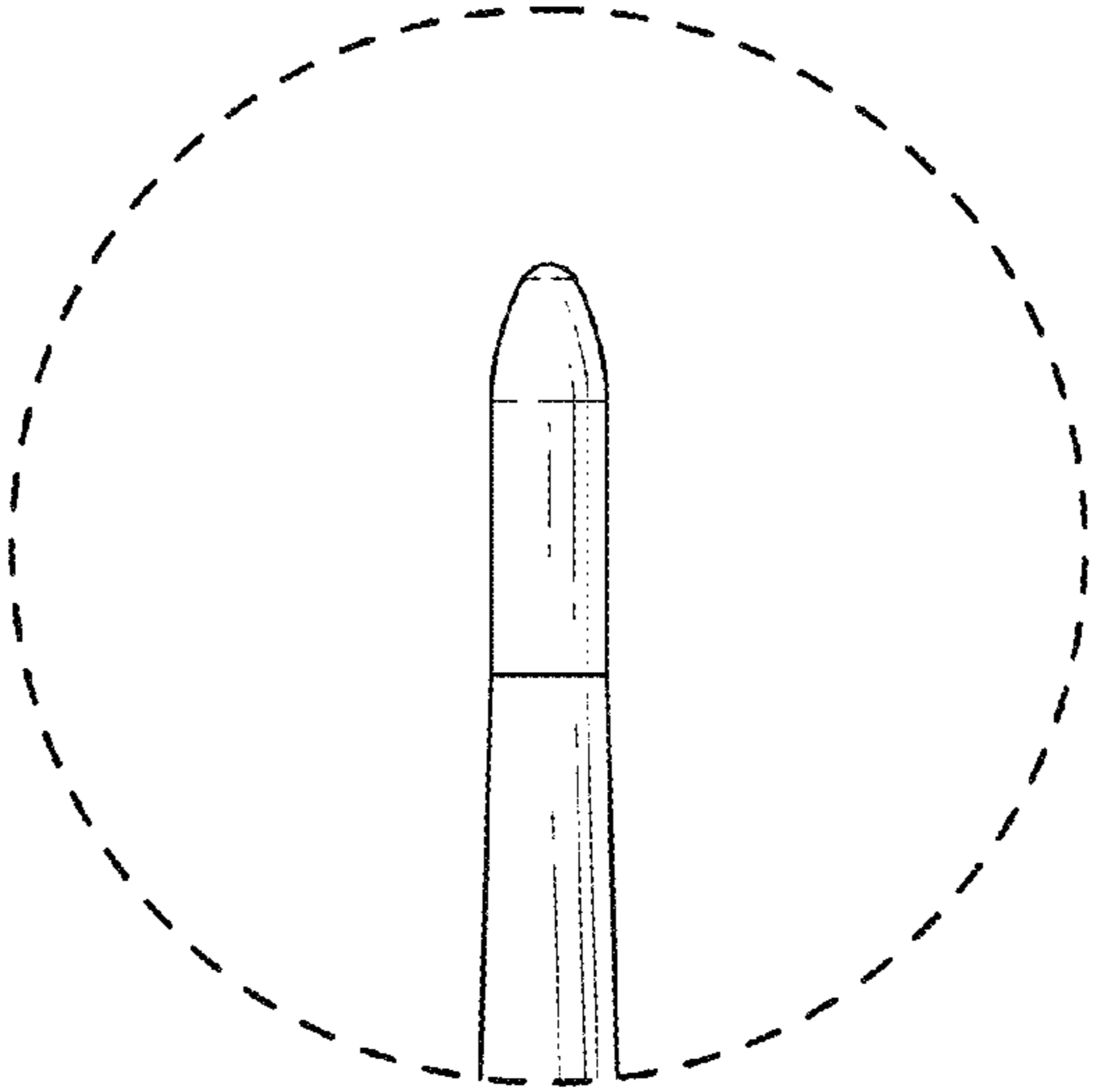


FIG. 6

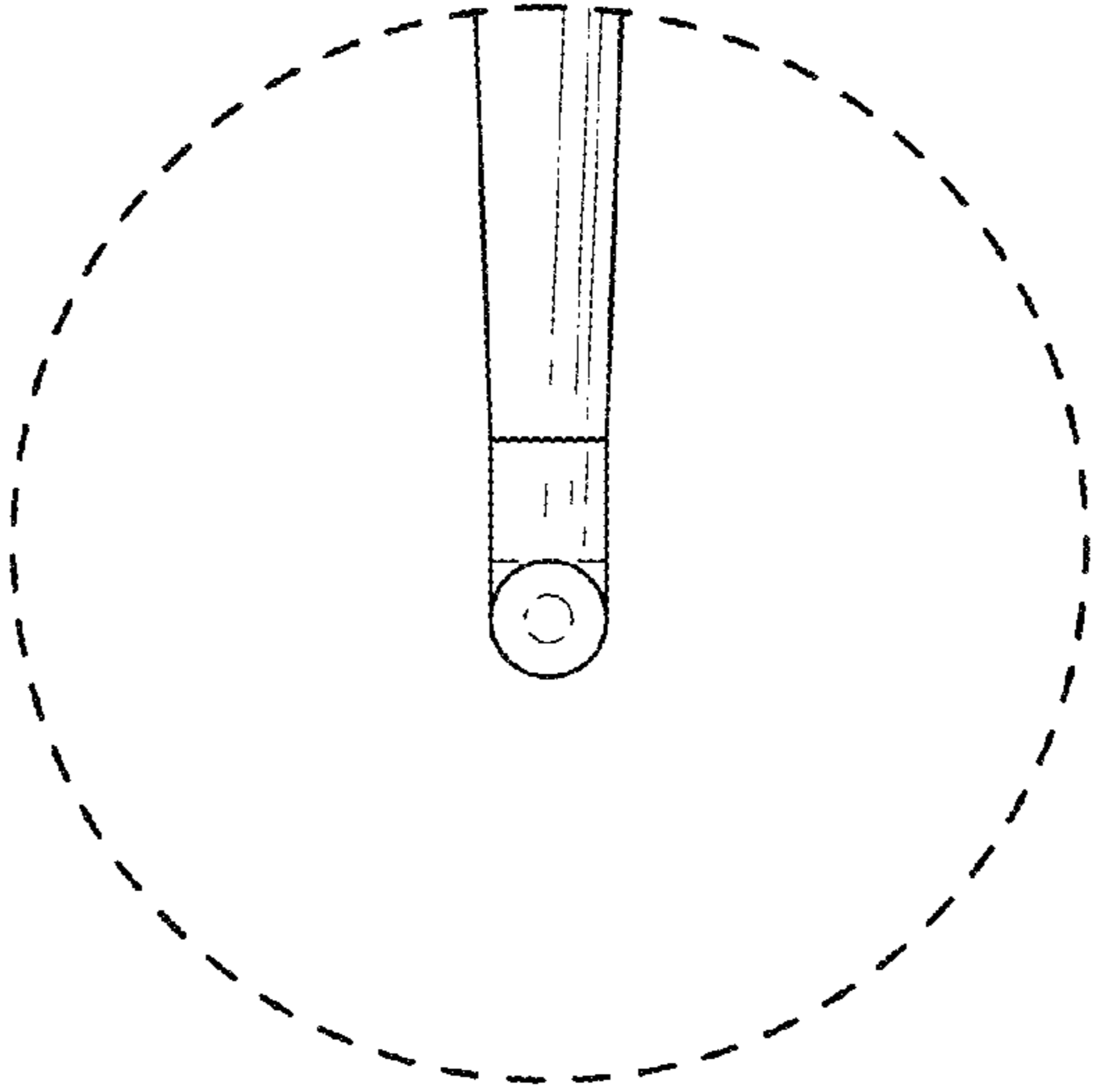


FIG. 5

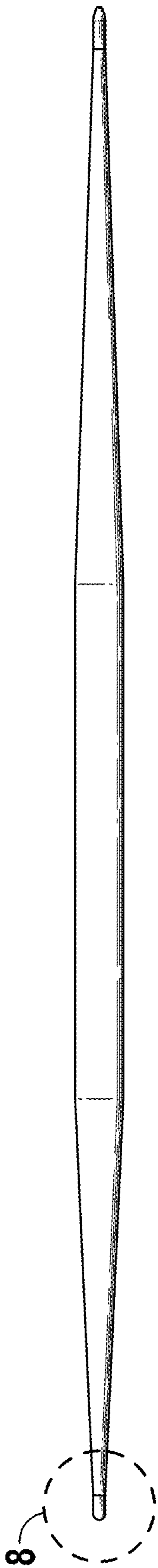


FIG. 7

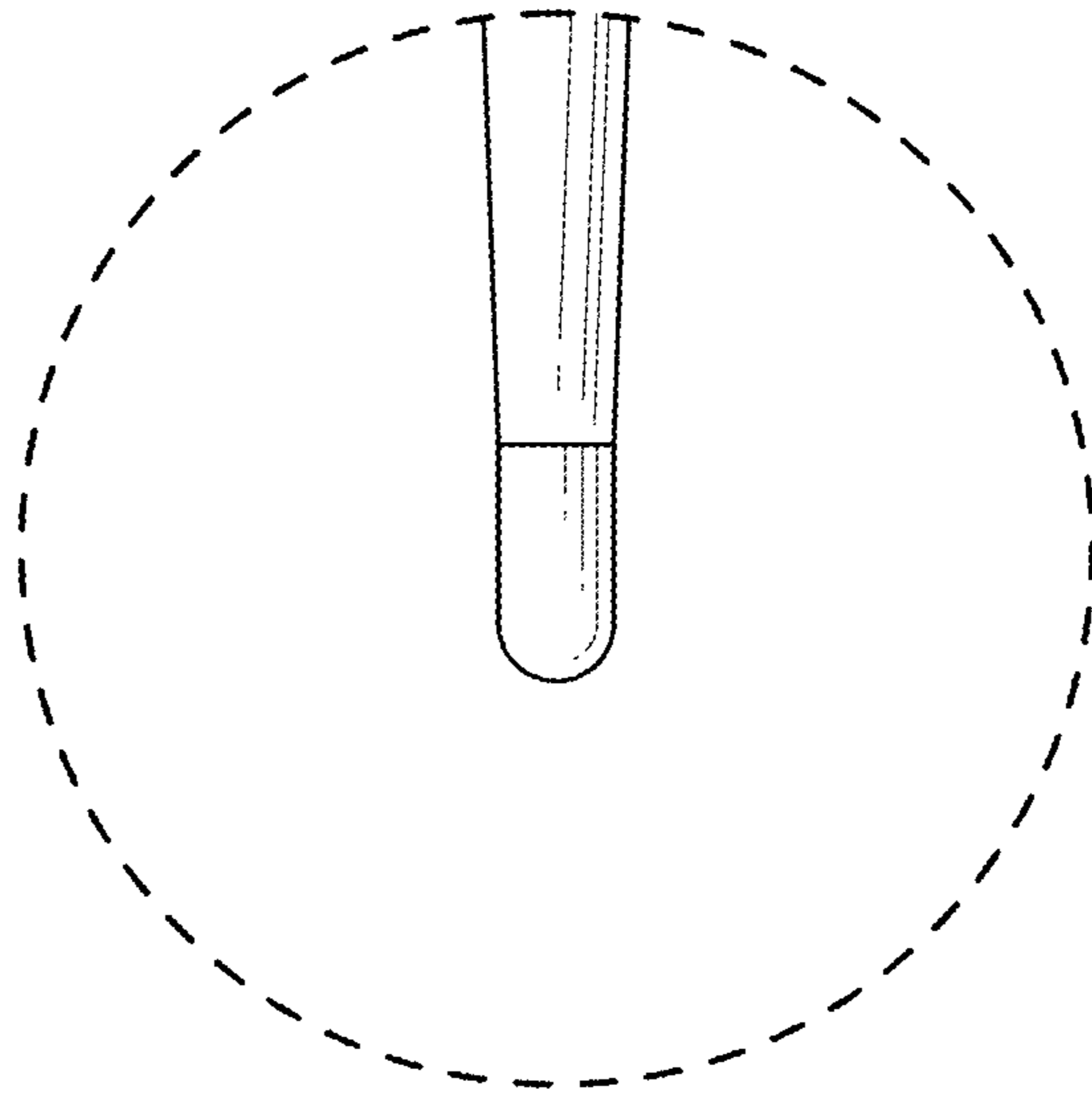


FIG. 8

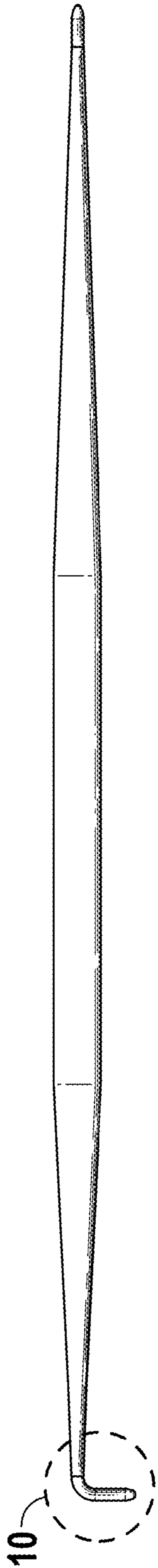


FIG. 9

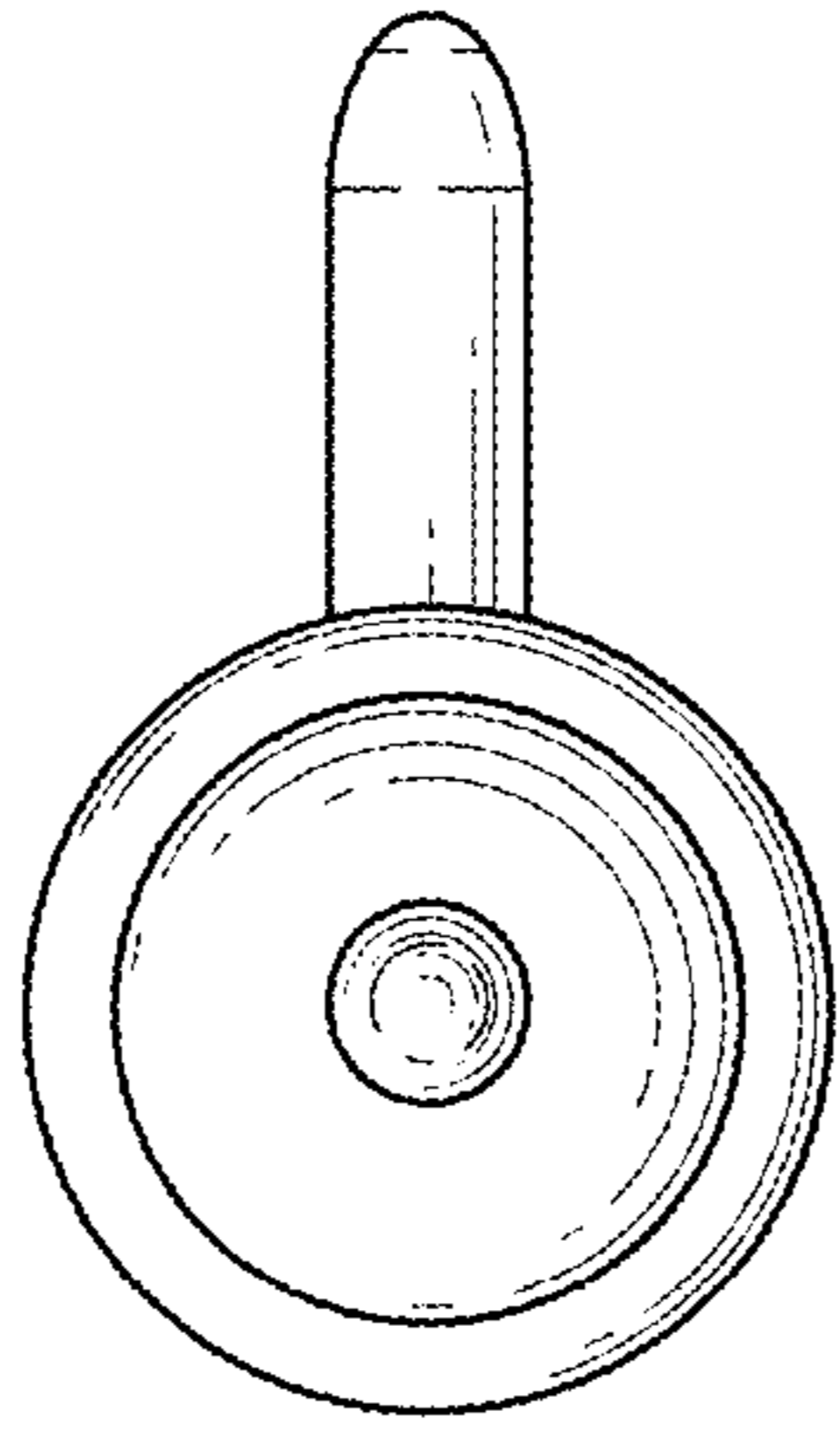


FIG. 11

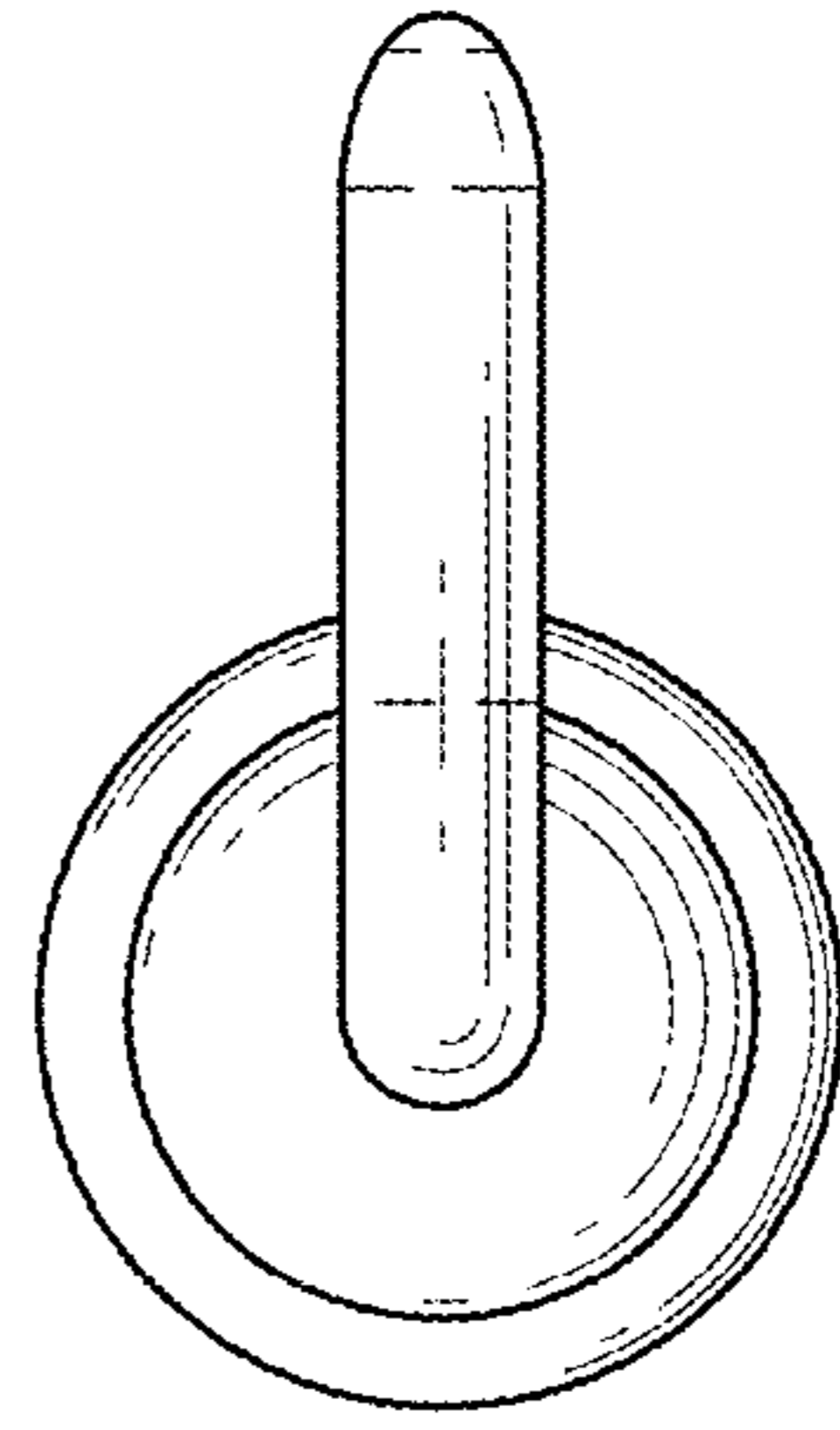


FIG. 12

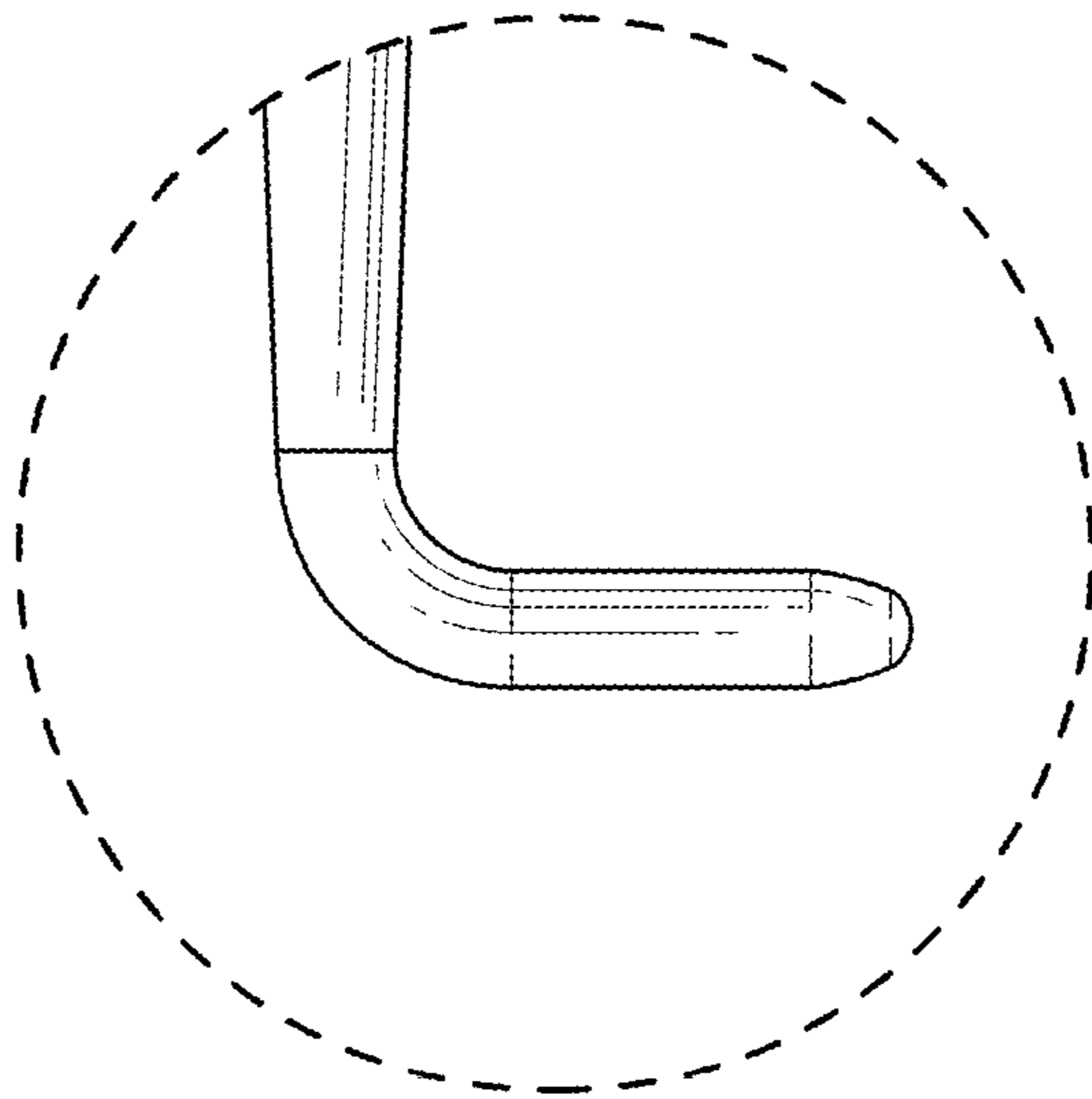


FIG. 10

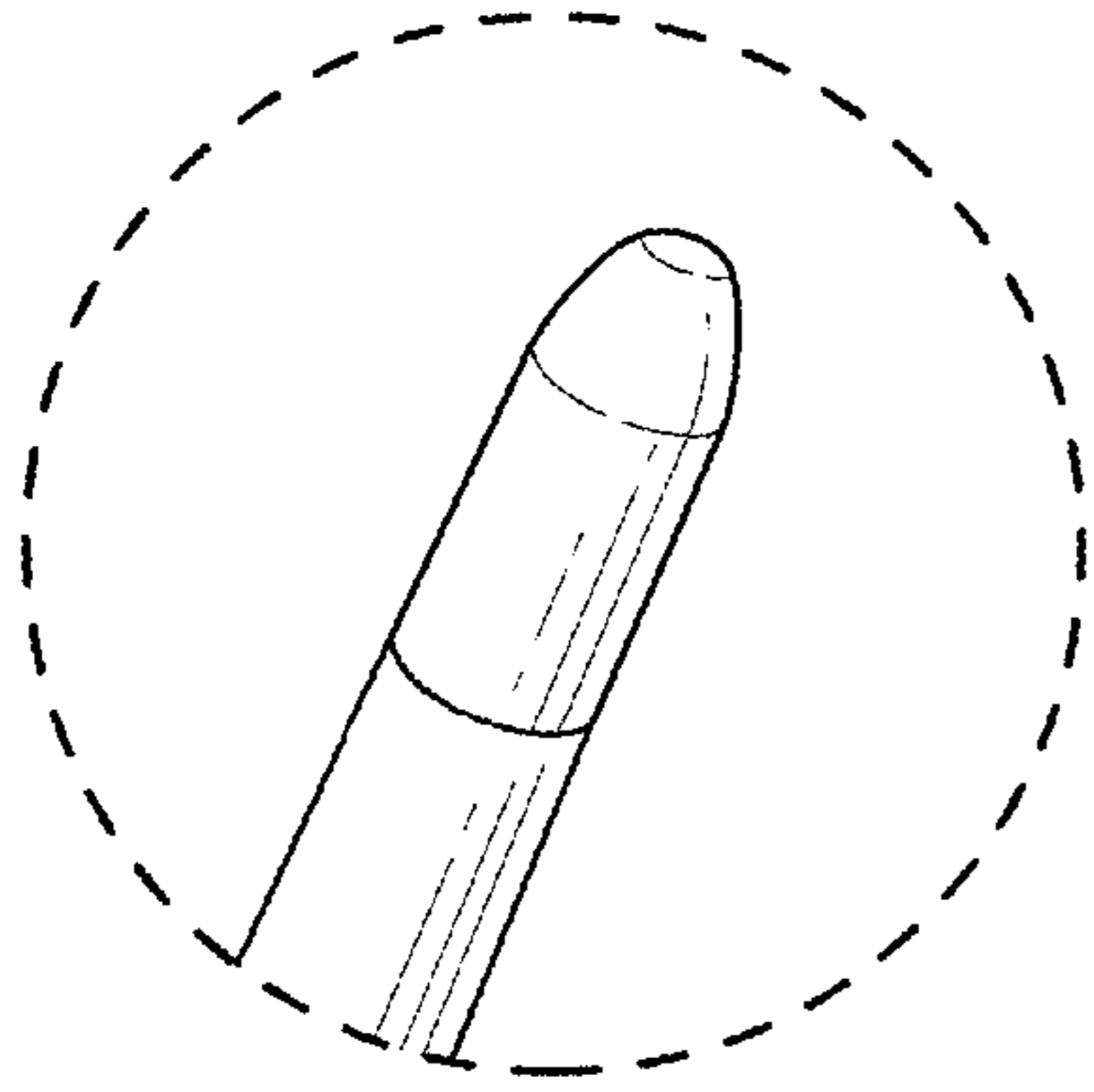


FIG. 15

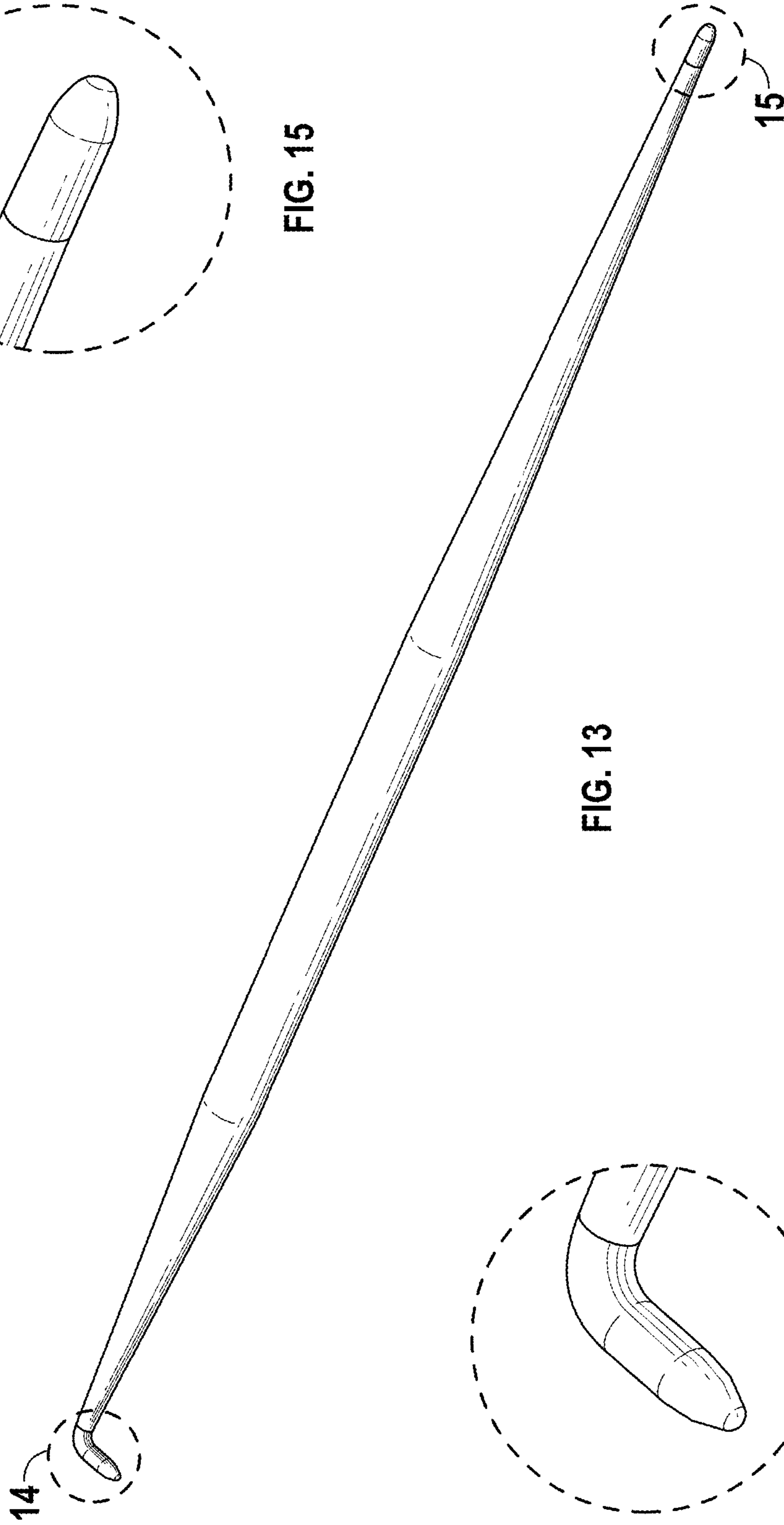


FIG. 13

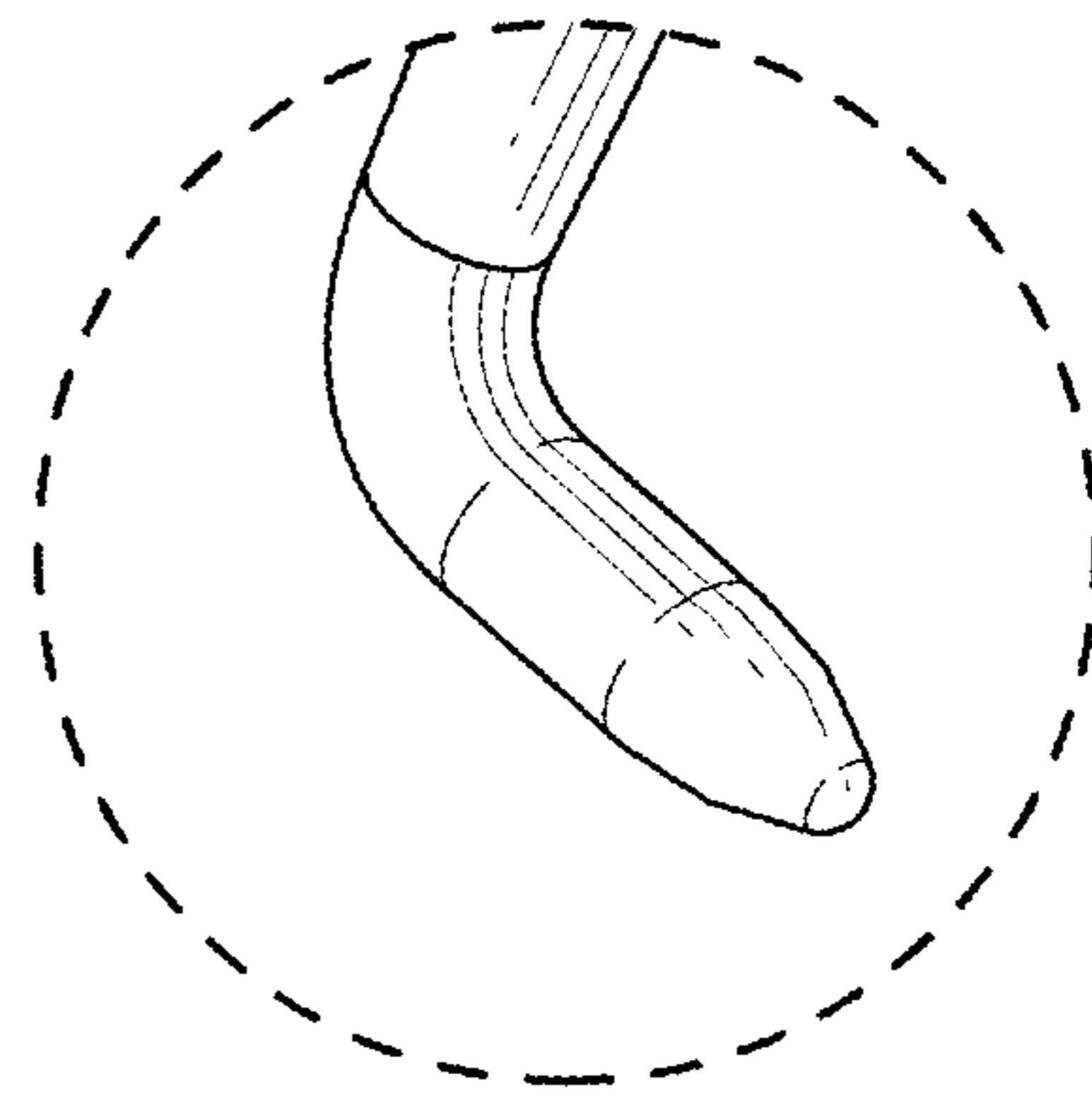


FIG. 14

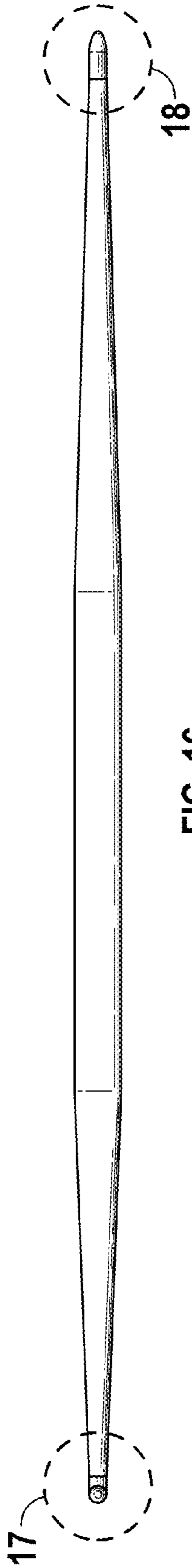


FIG. 16

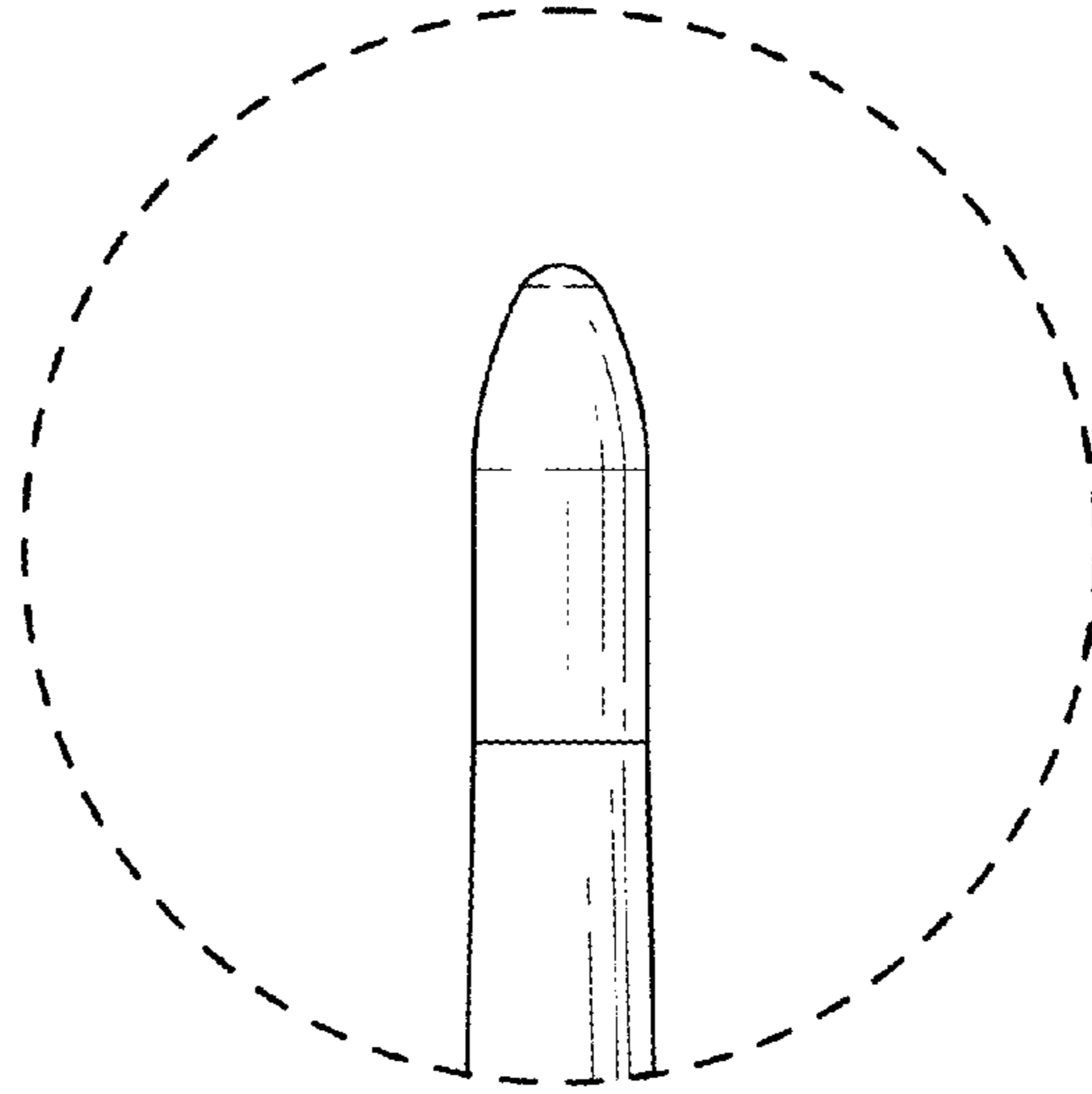


FIG. 18

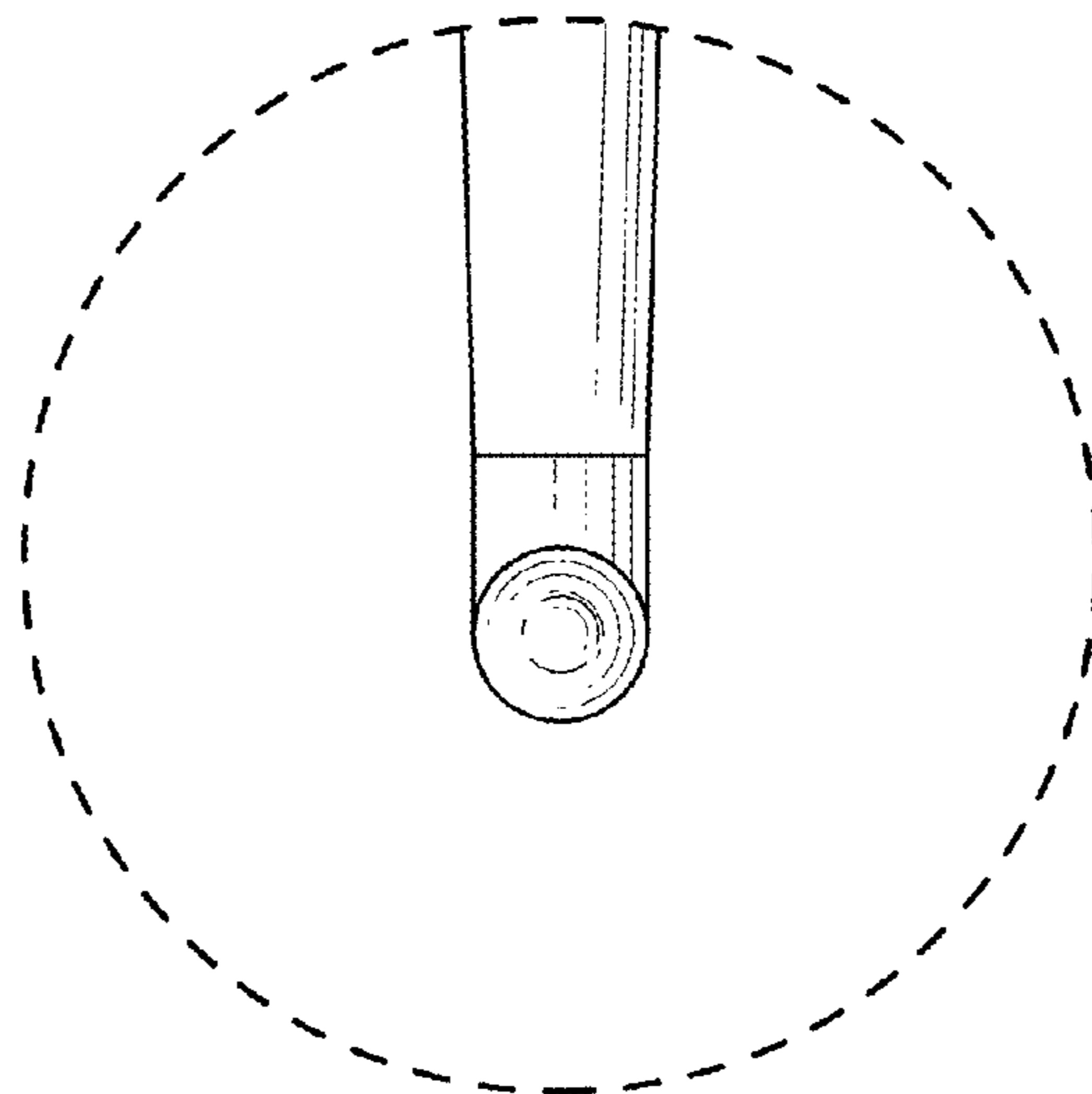


FIG. 17

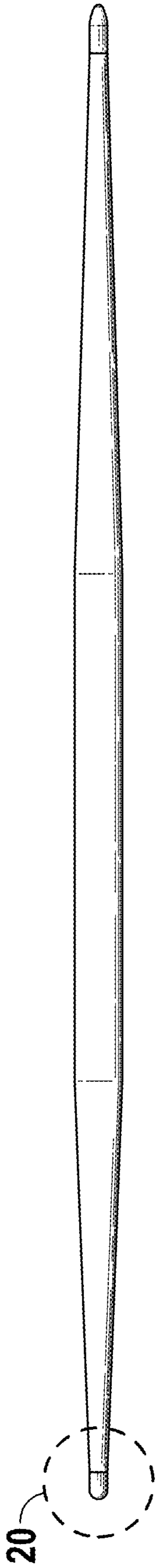


FIG. 19

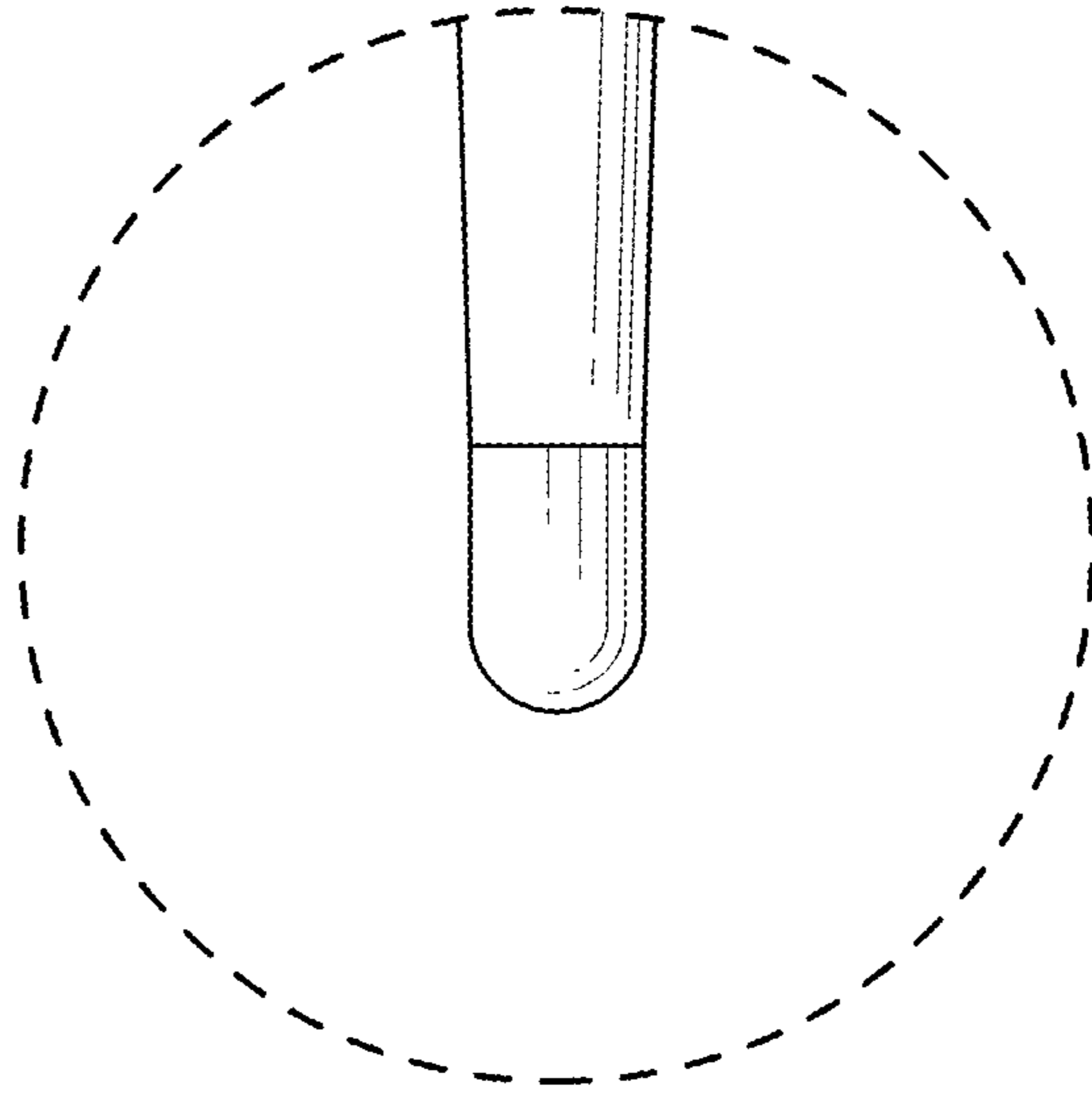


FIG. 20

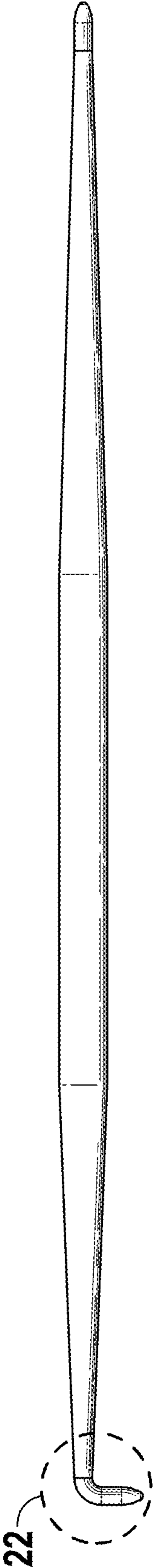


FIG. 21

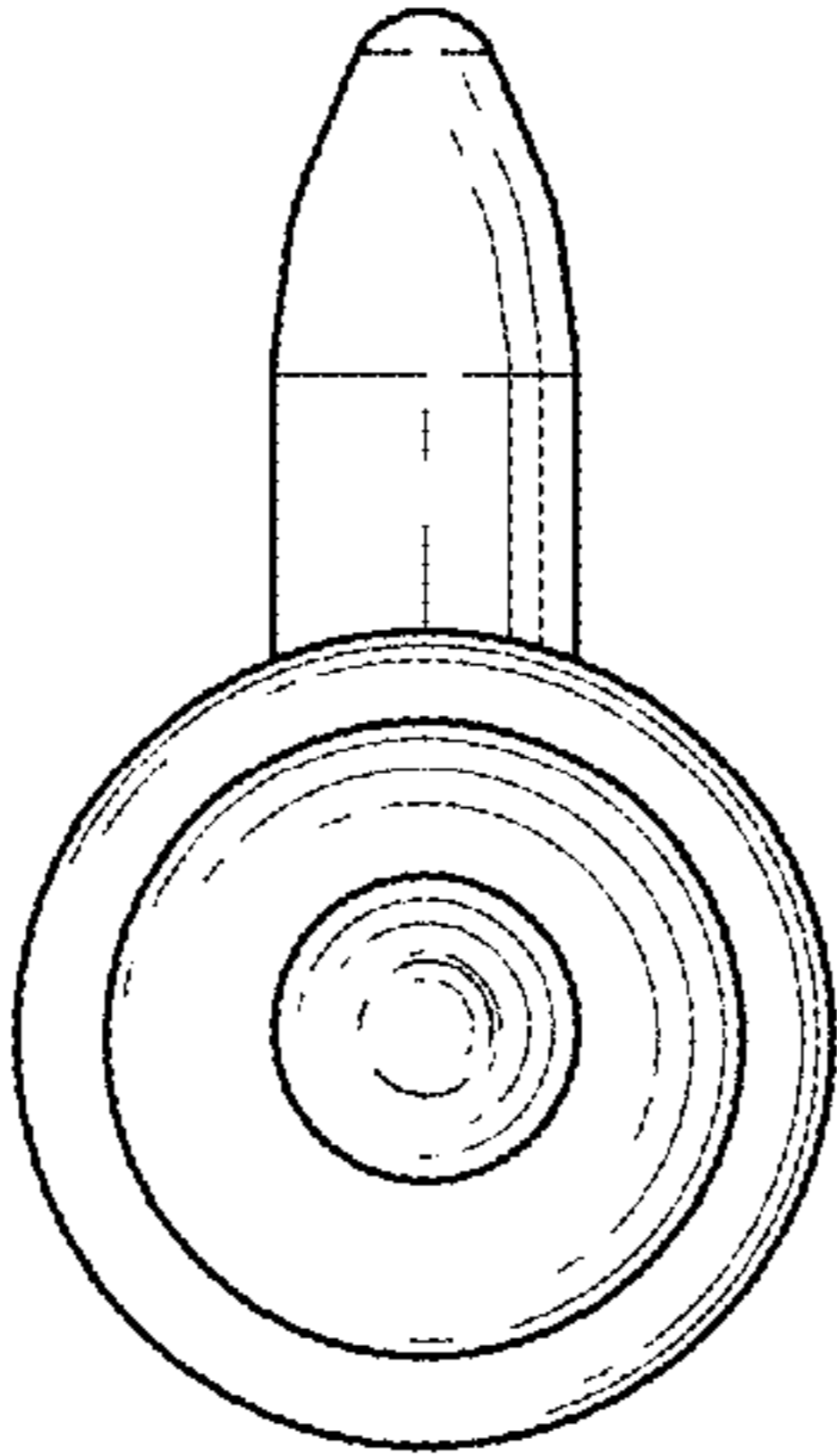


FIG. 23

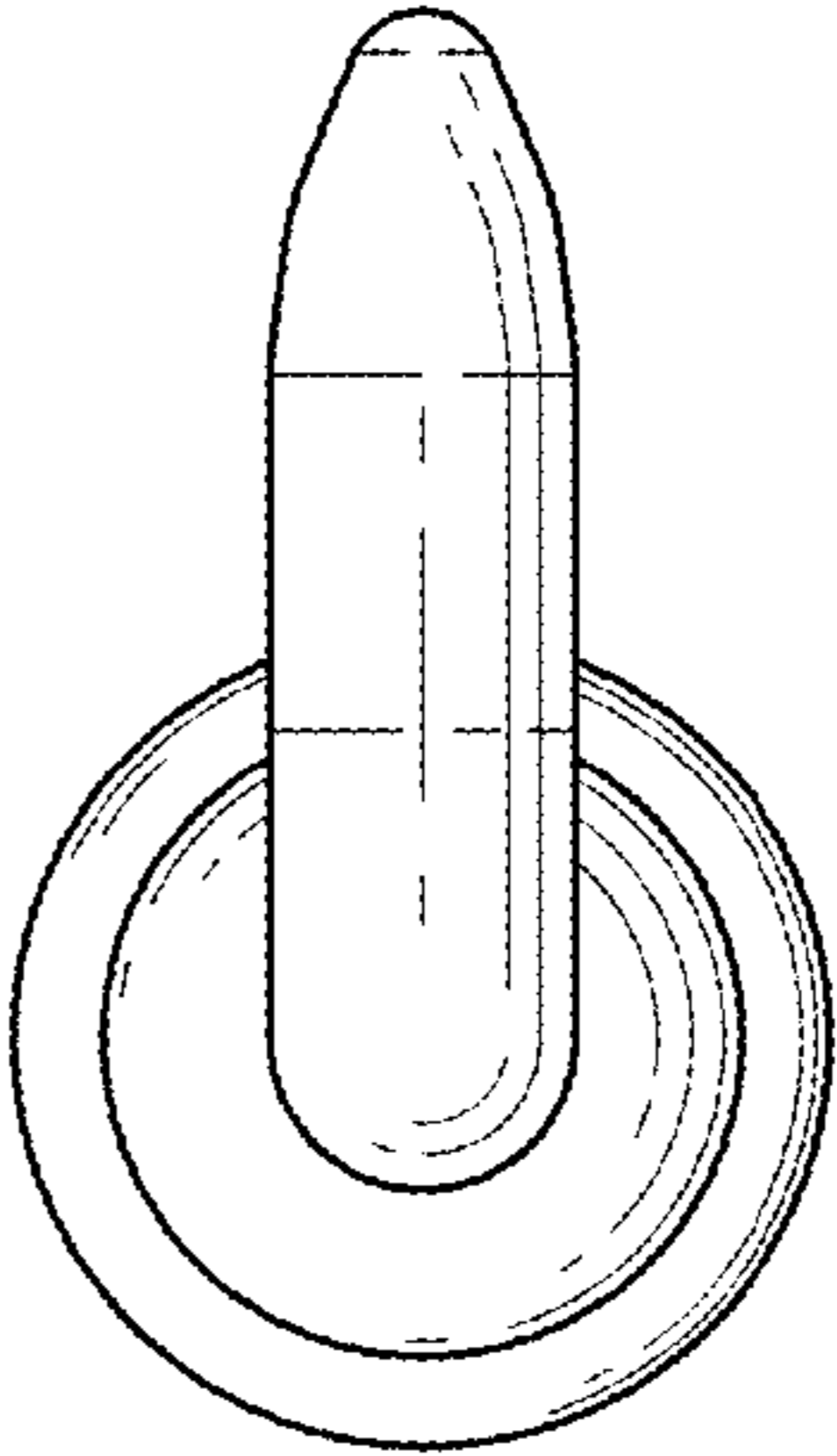


FIG. 24

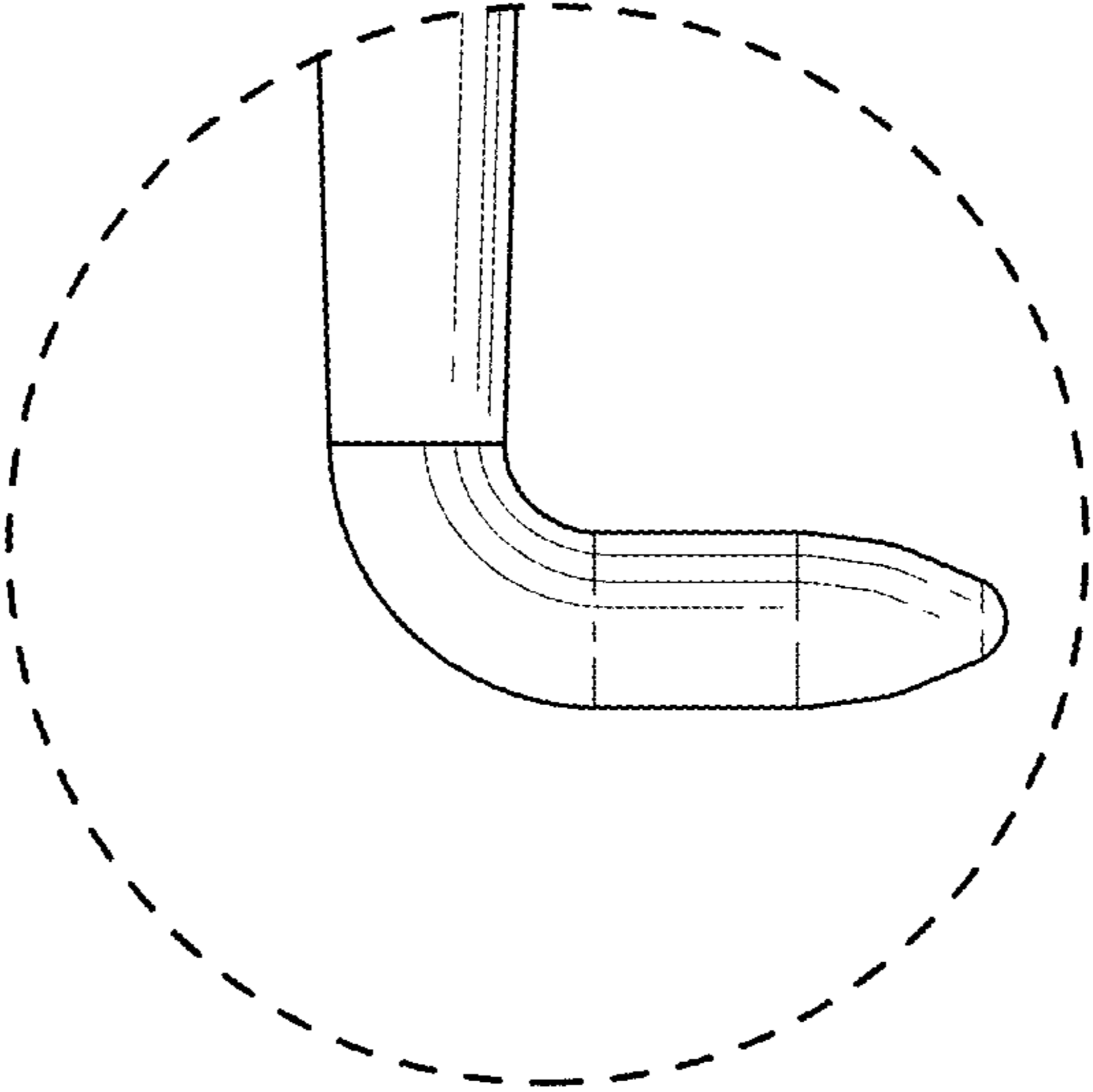


FIG. 22

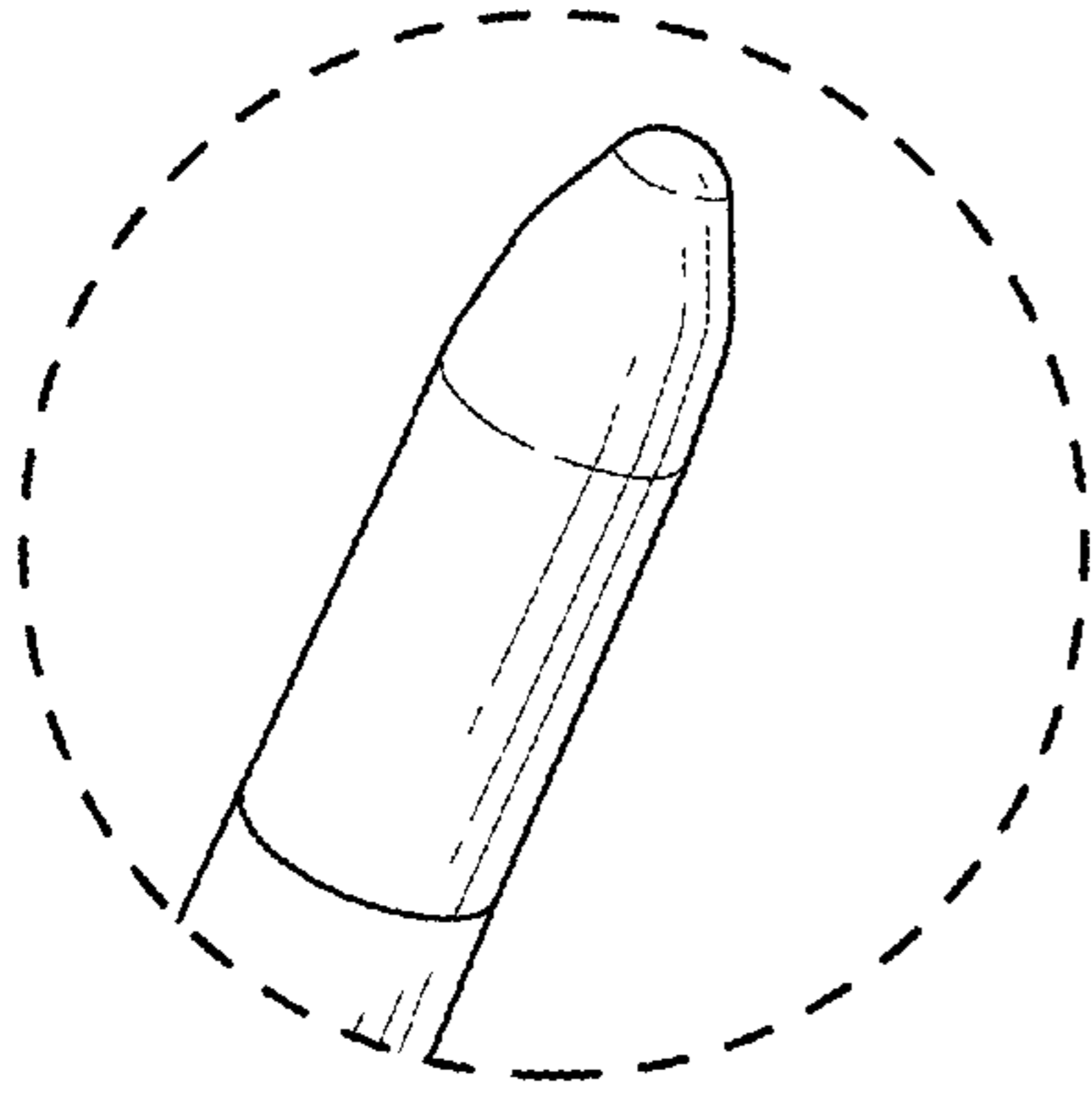


FIG. 27

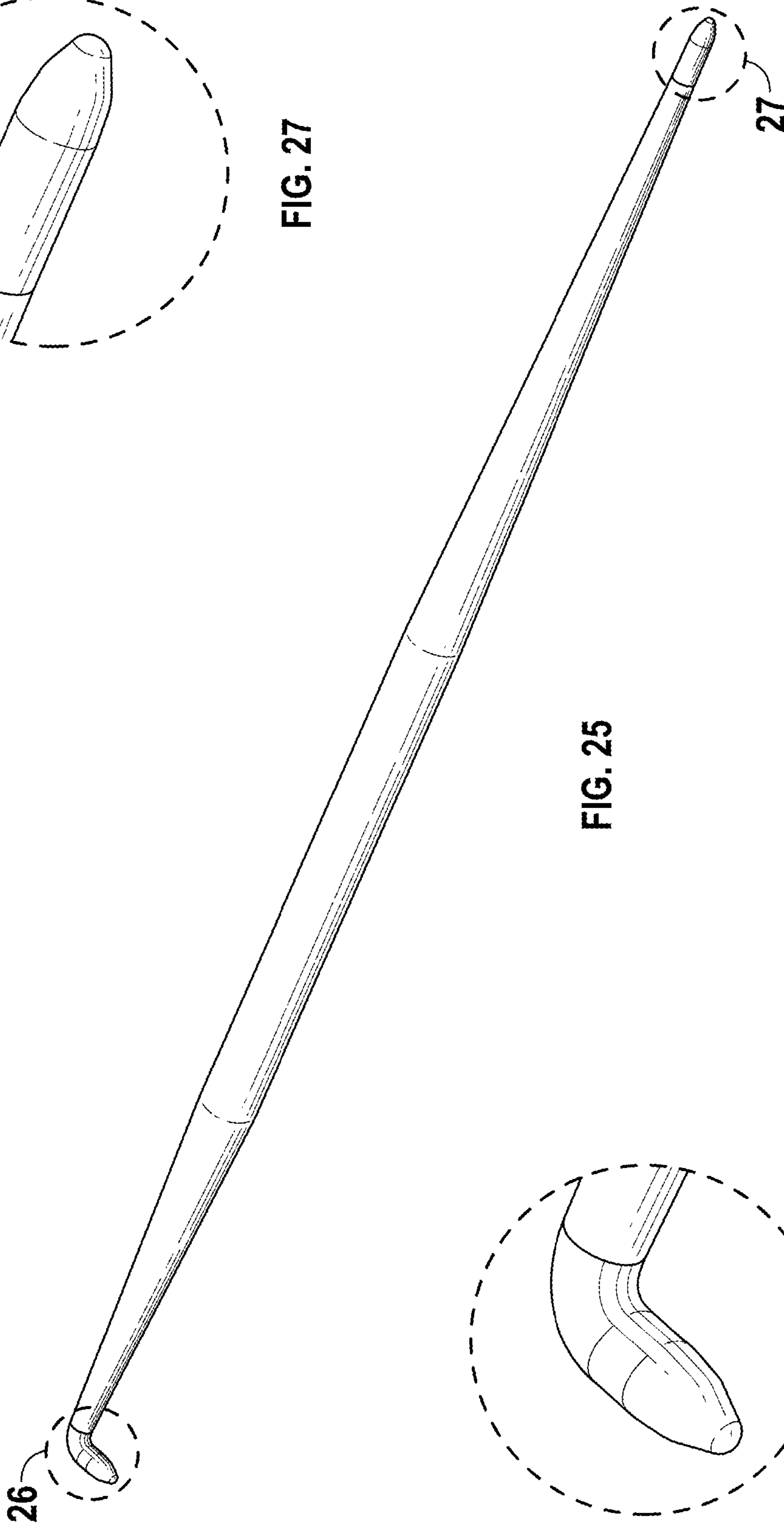


FIG. 25

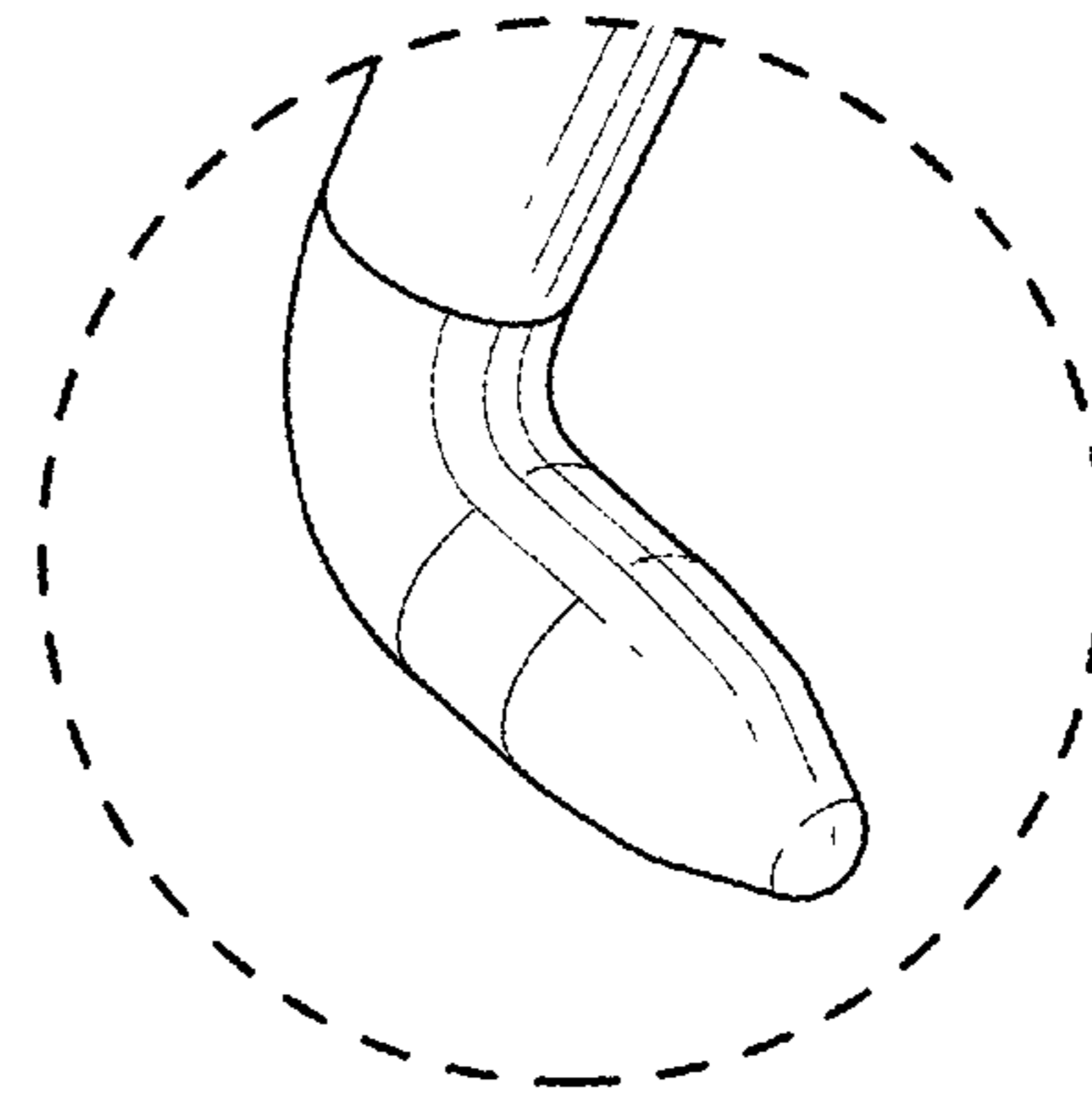


FIG. 26

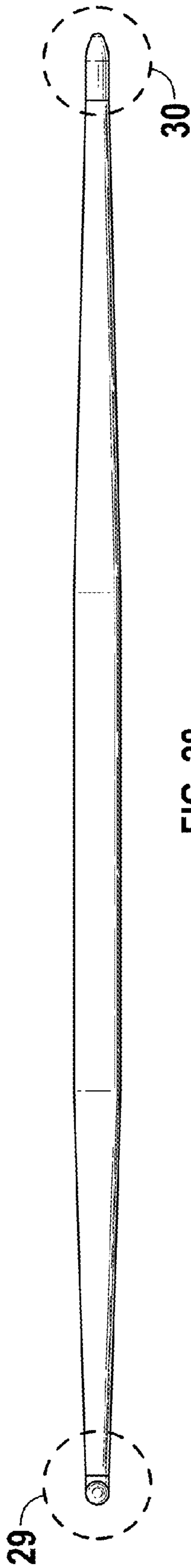


FIG. 28

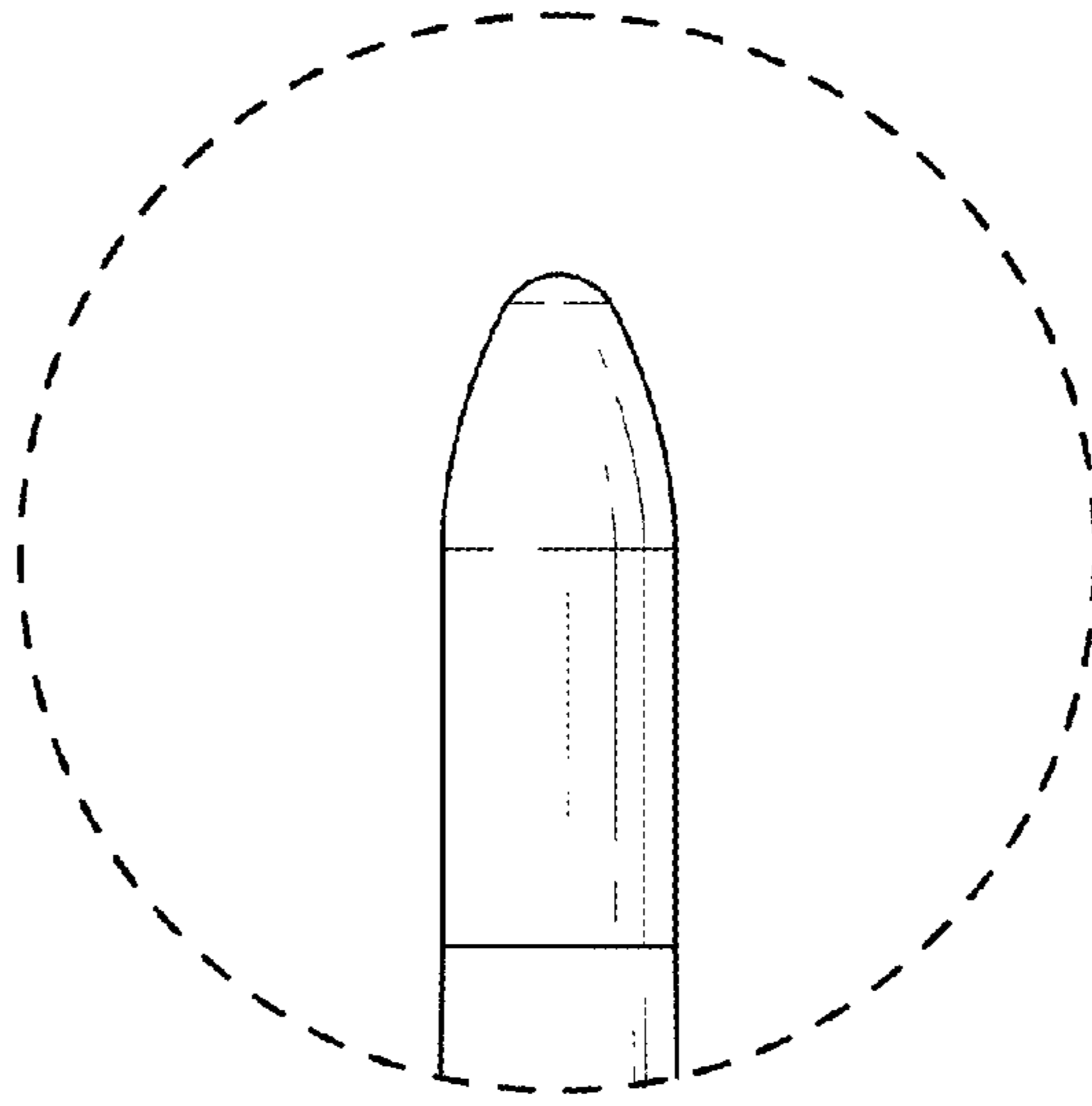


FIG. 30

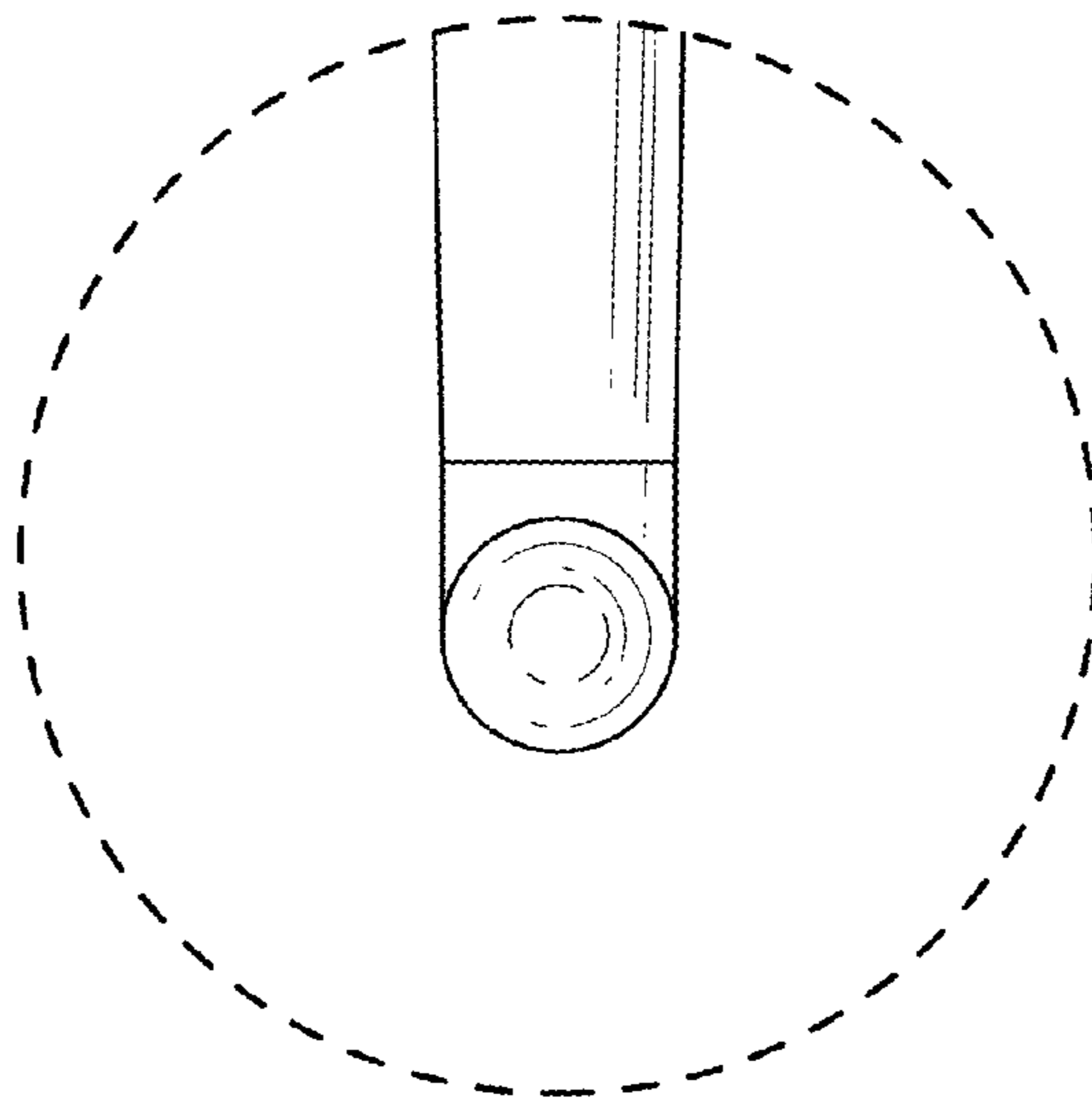


FIG. 29

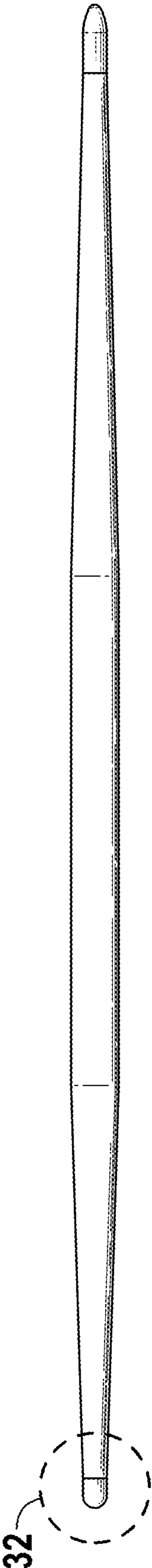


FIG. 31

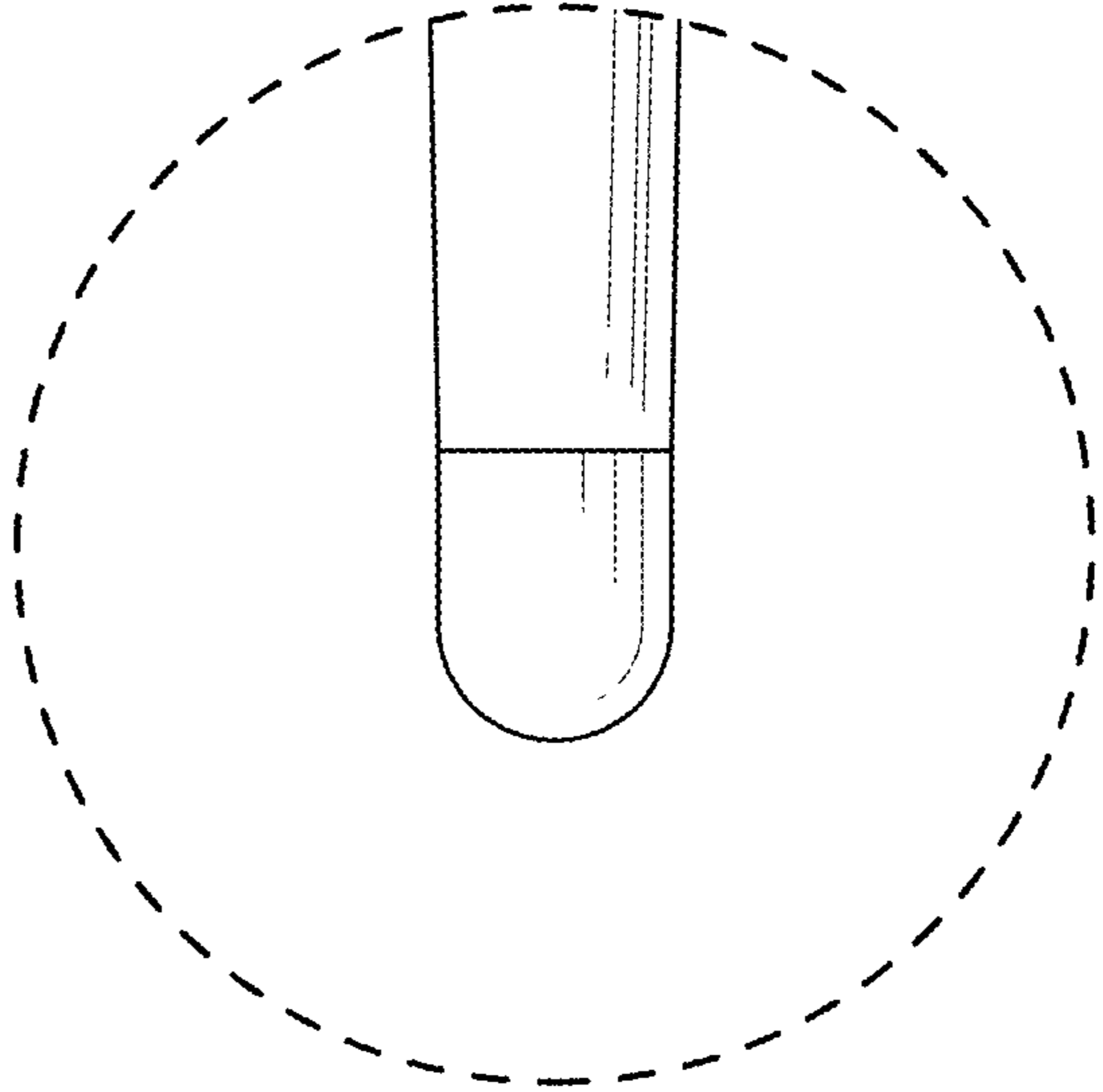


FIG. 32

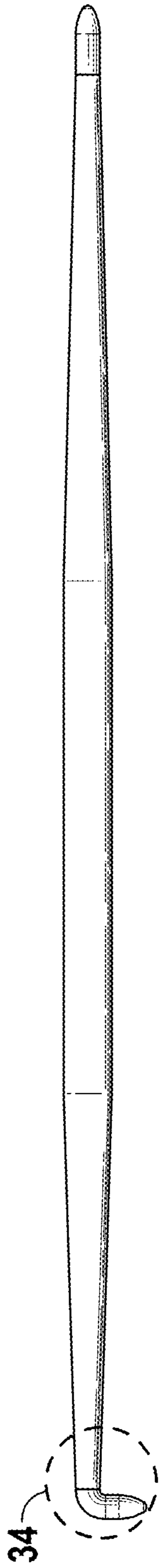


FIG. 33

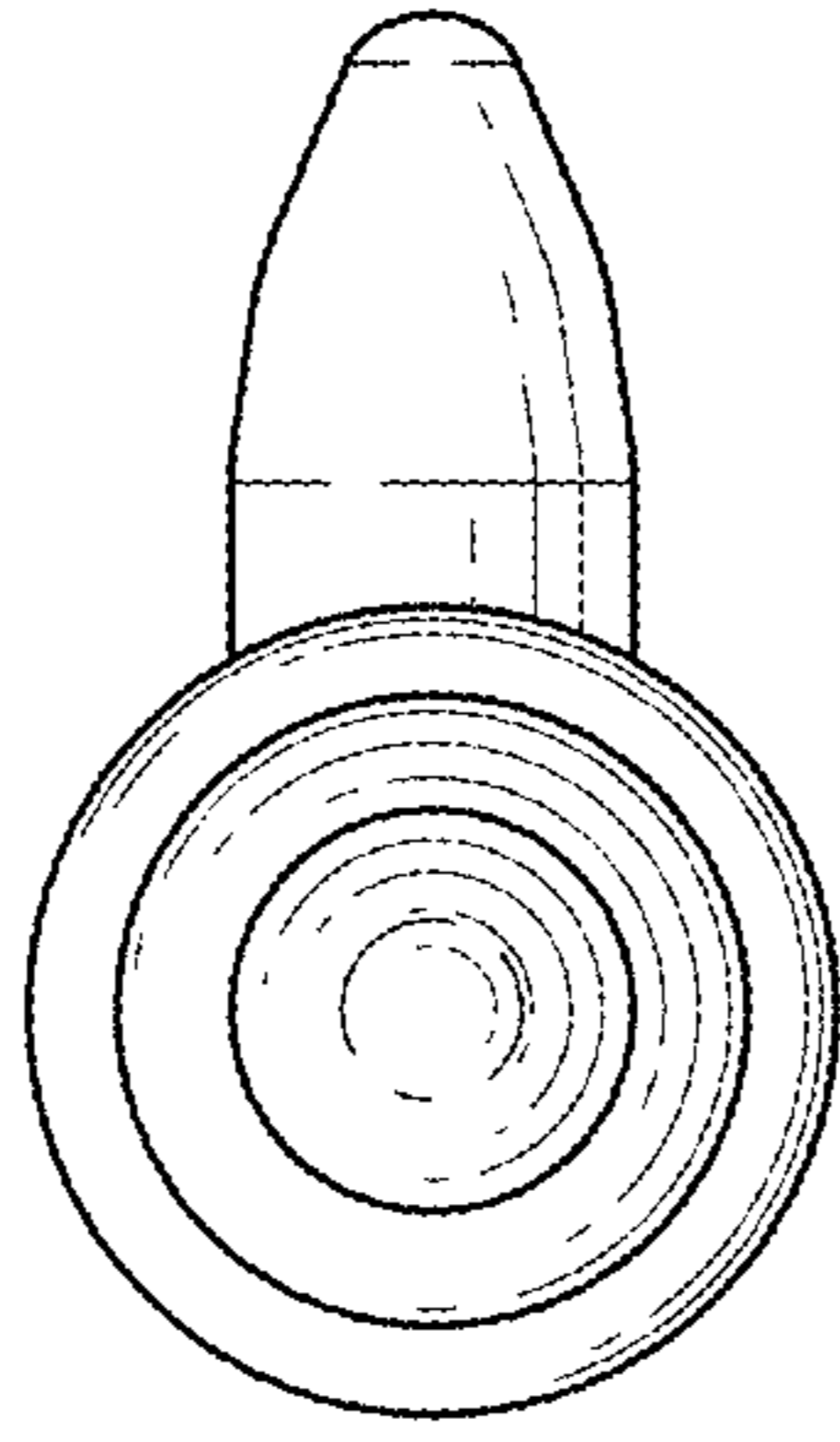


FIG. 35

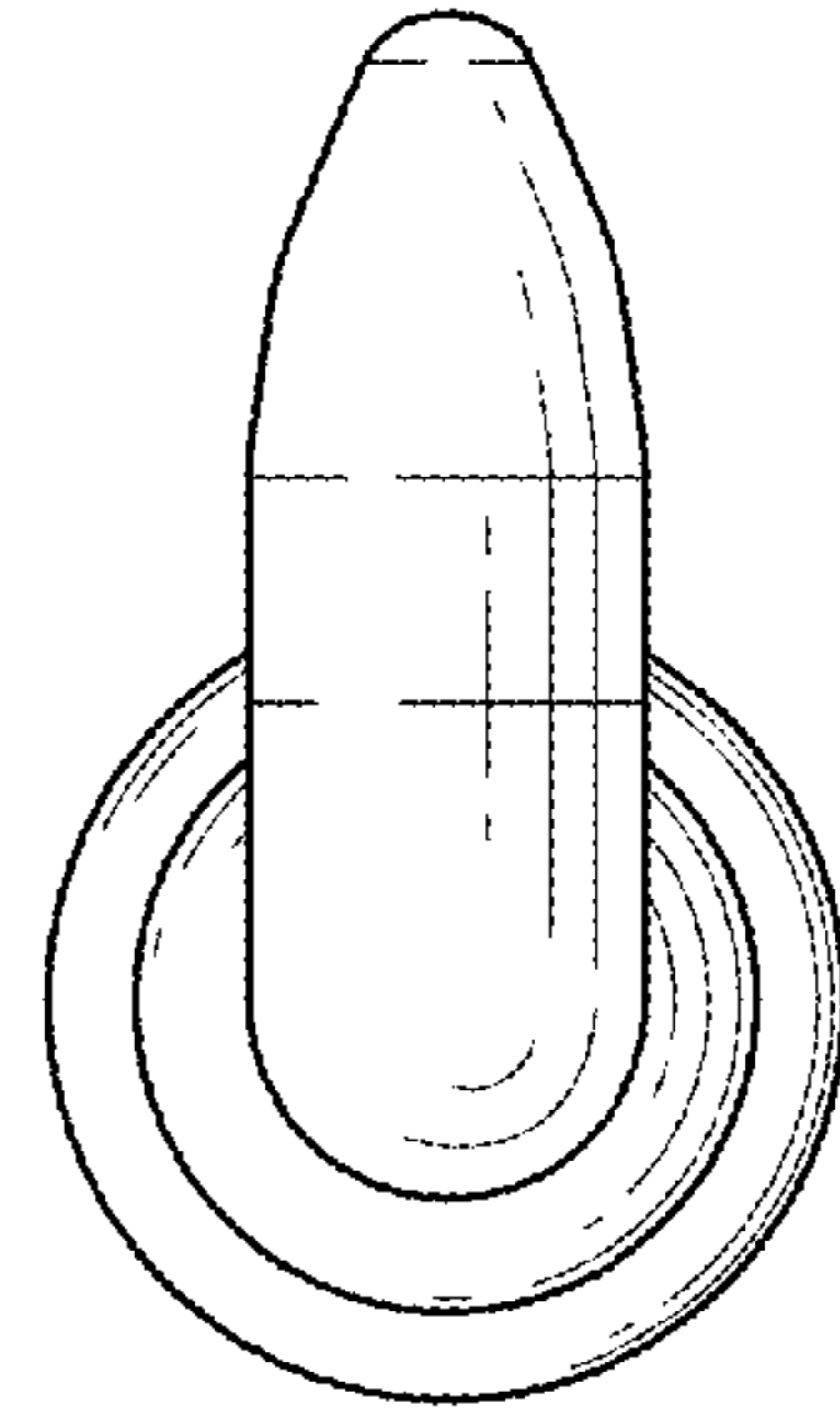


FIG. 36

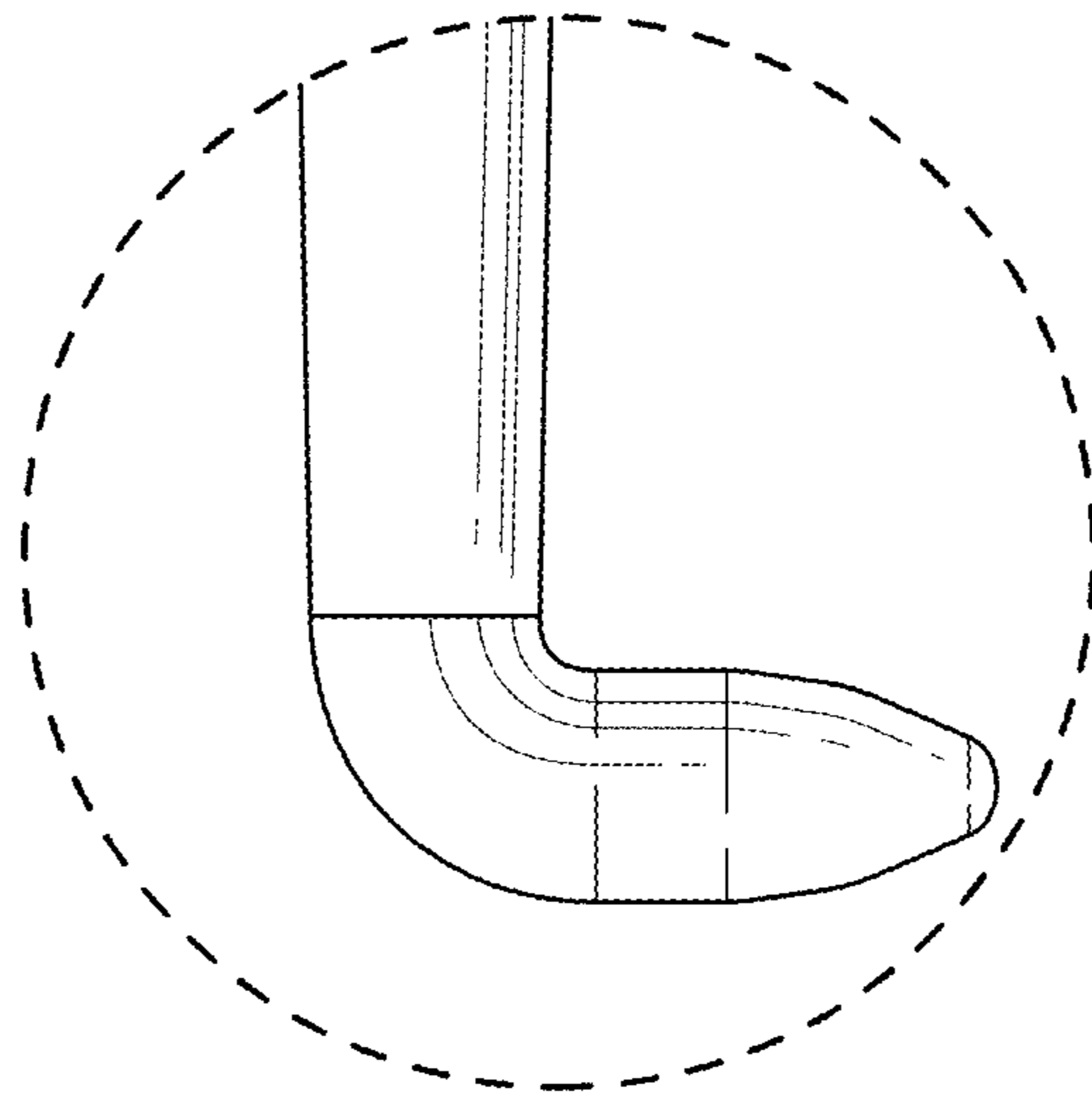


FIG. 34

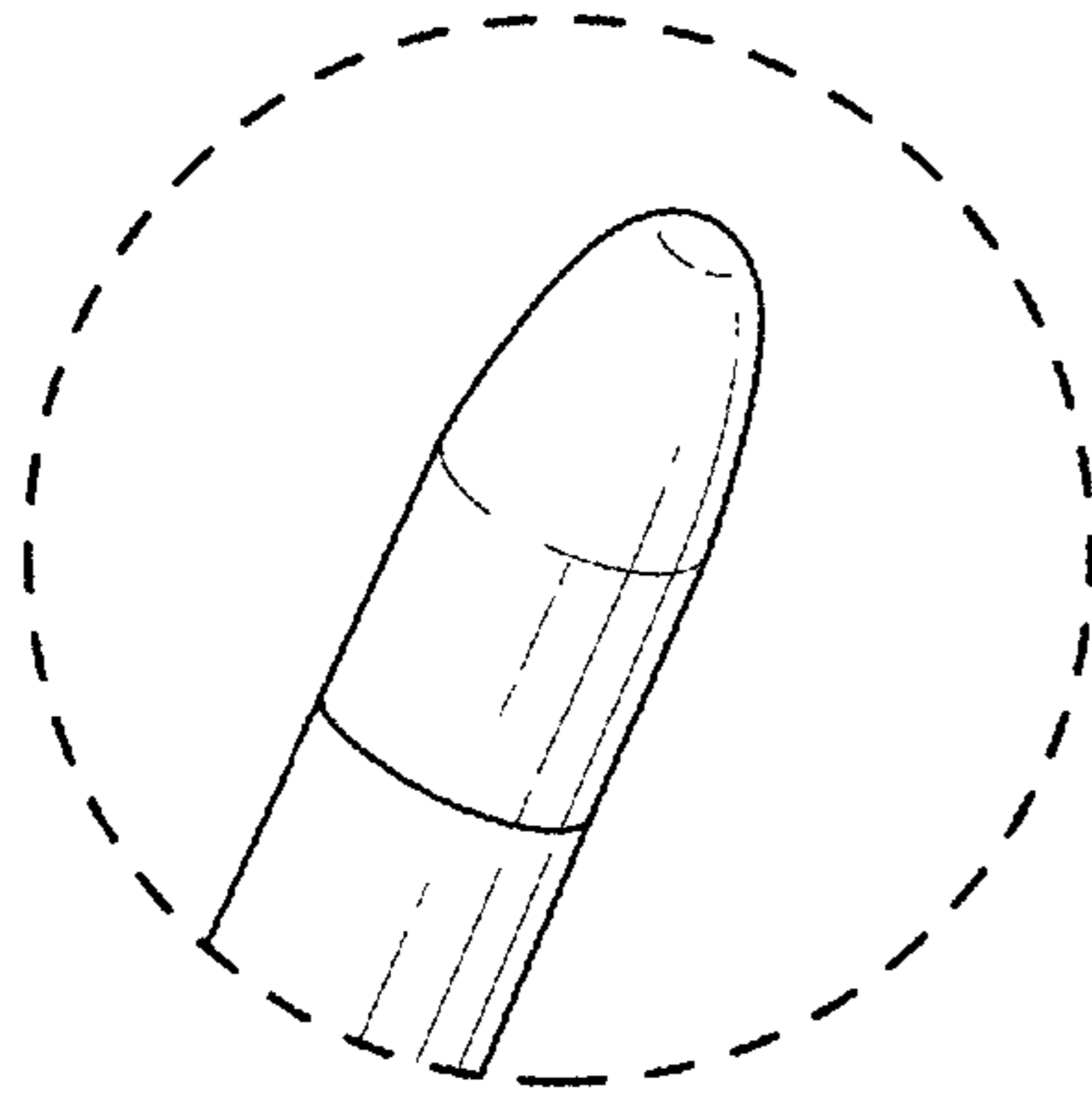


FIG. 39

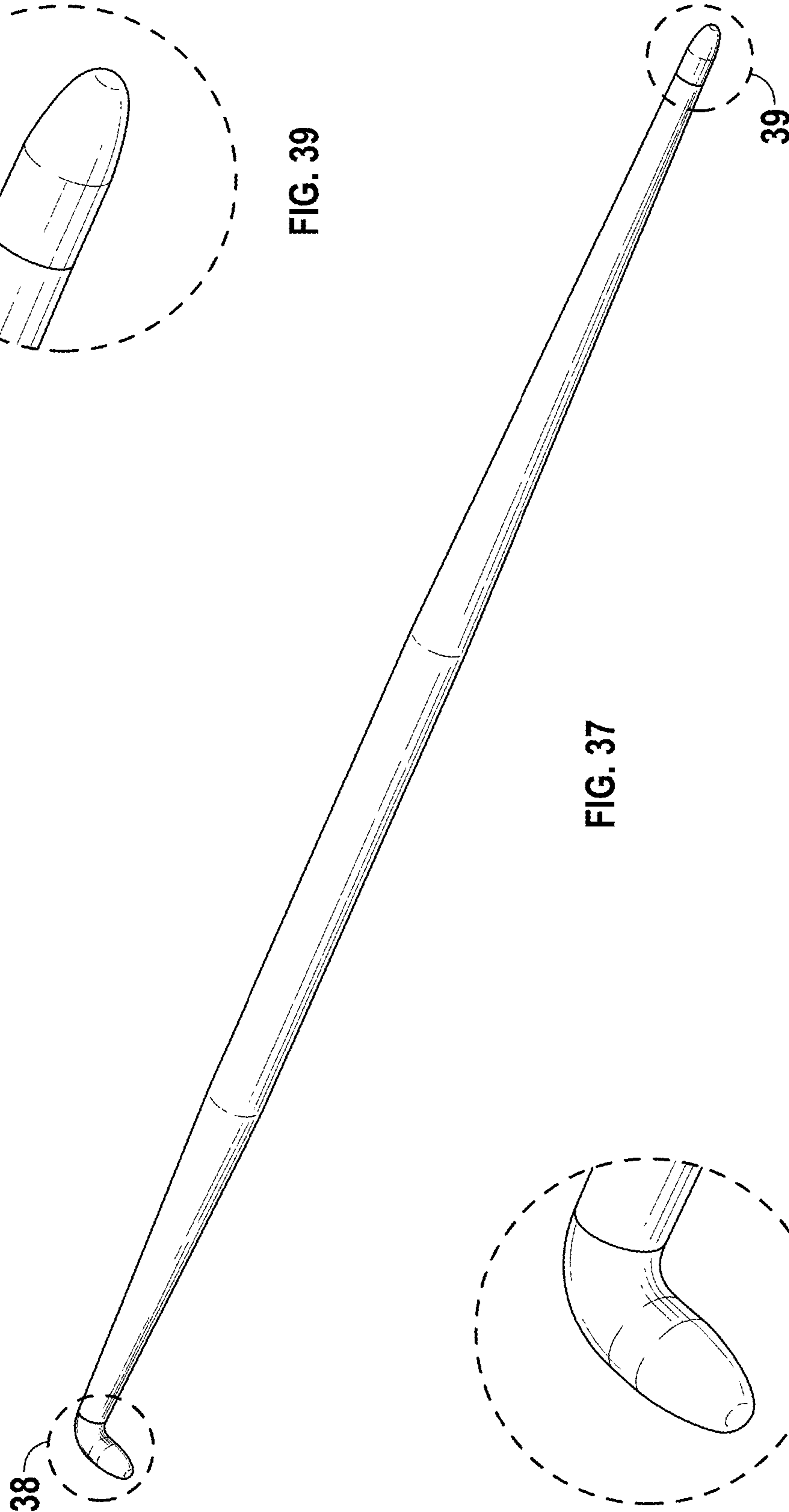


FIG. 37

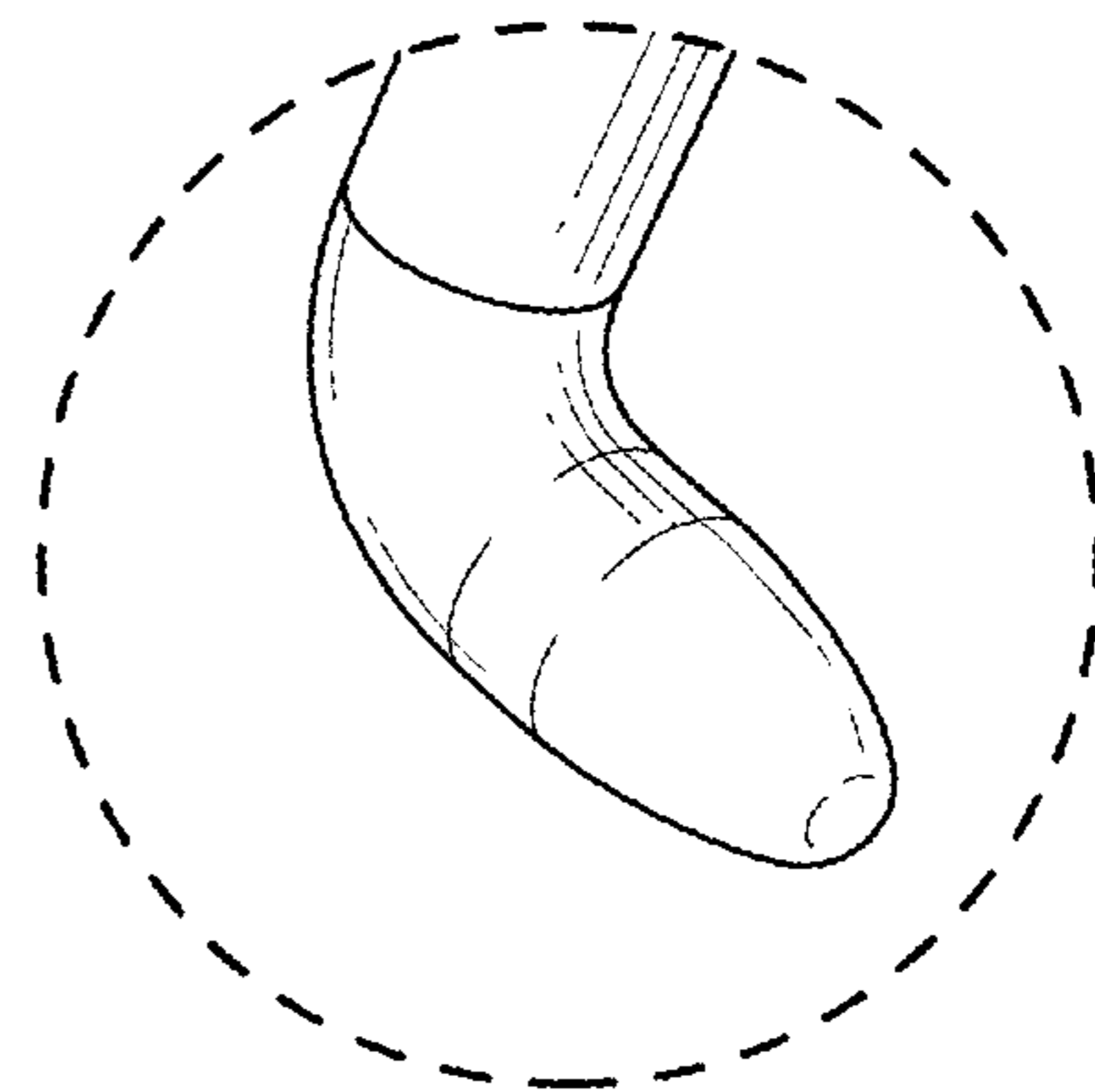


FIG. 38

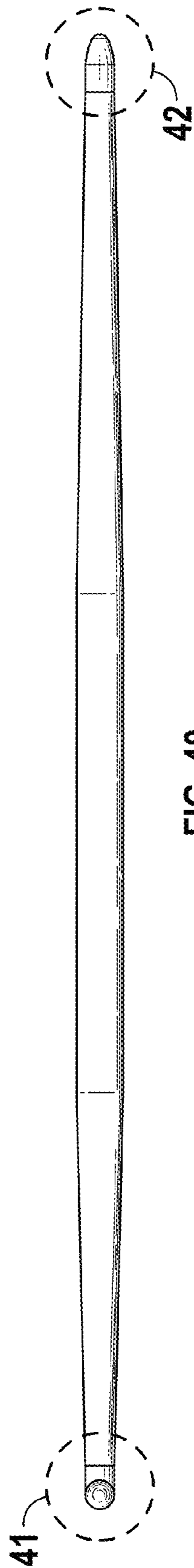


FIG. 40

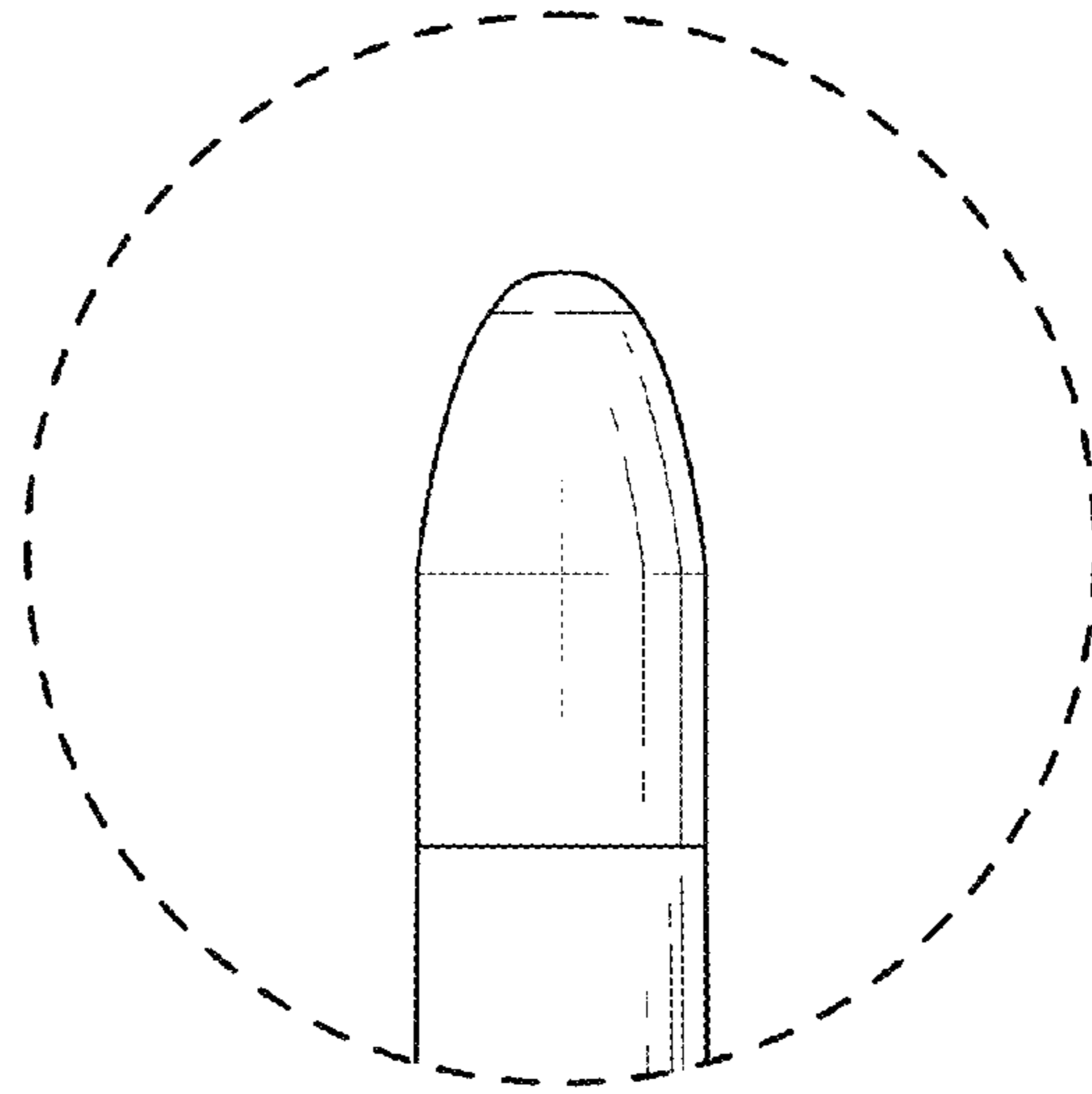


FIG. 42

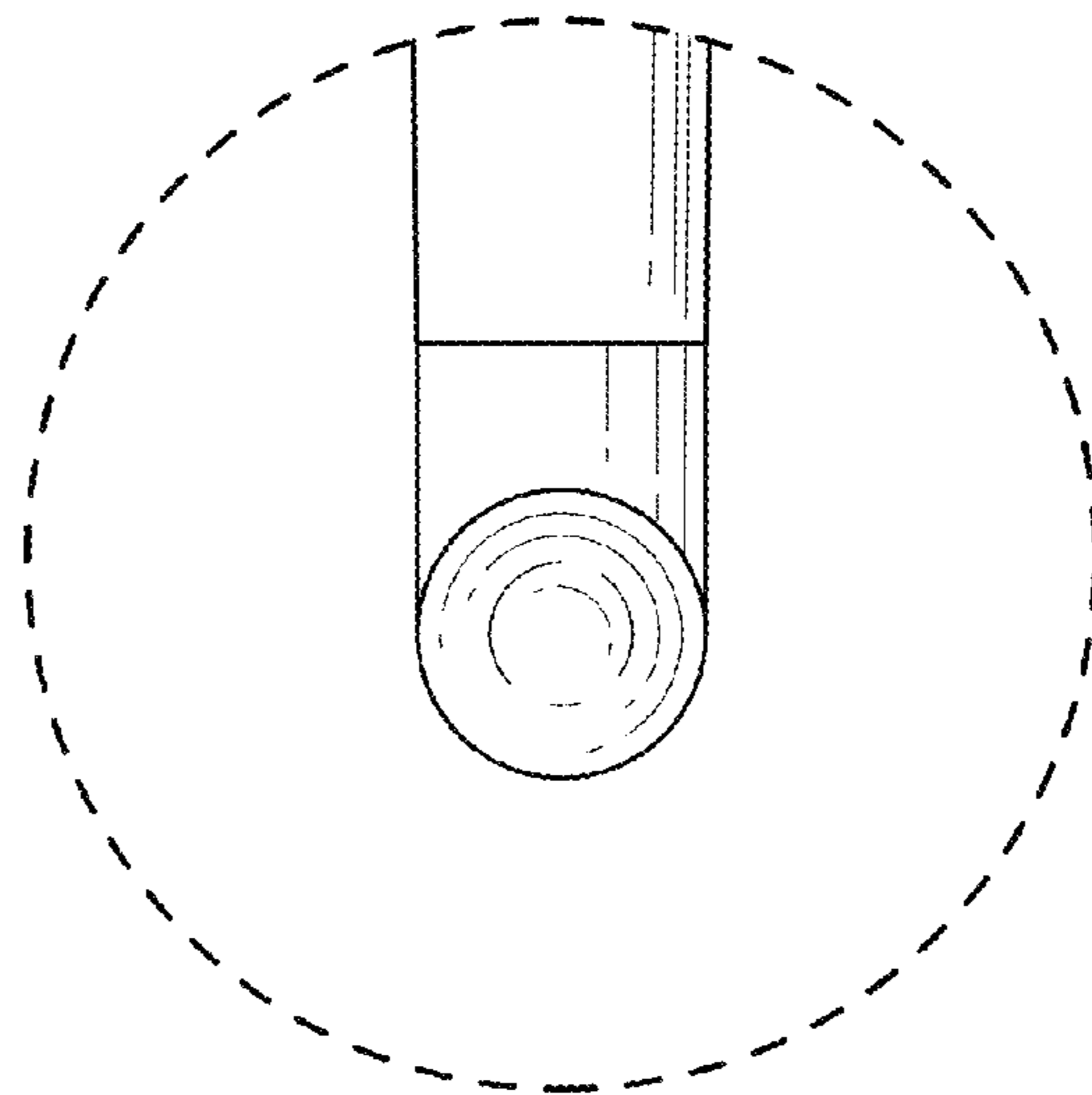


FIG. 41

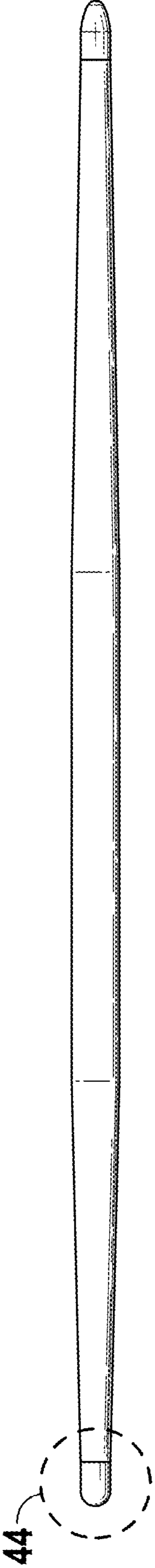


FIG. 43

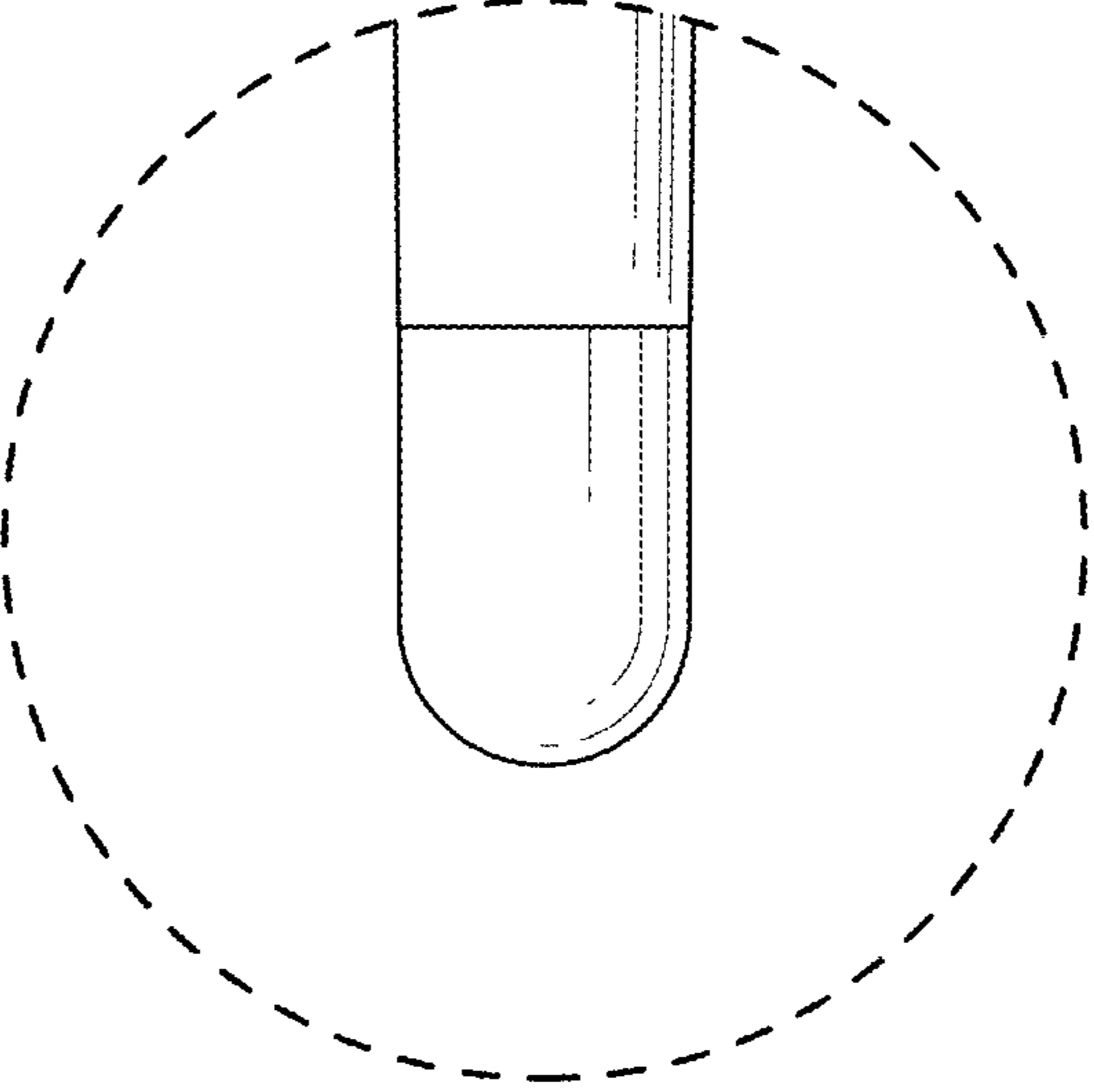


FIG. 44

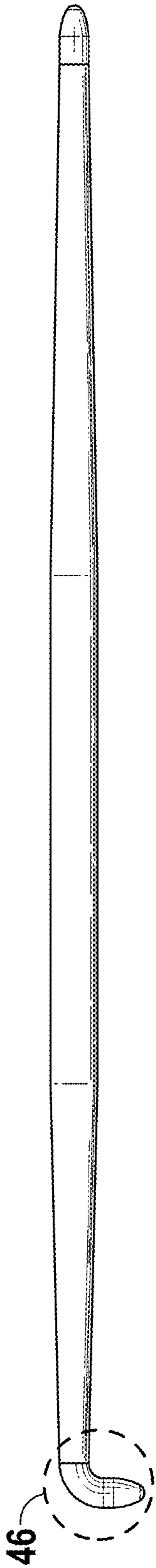


FIG. 45

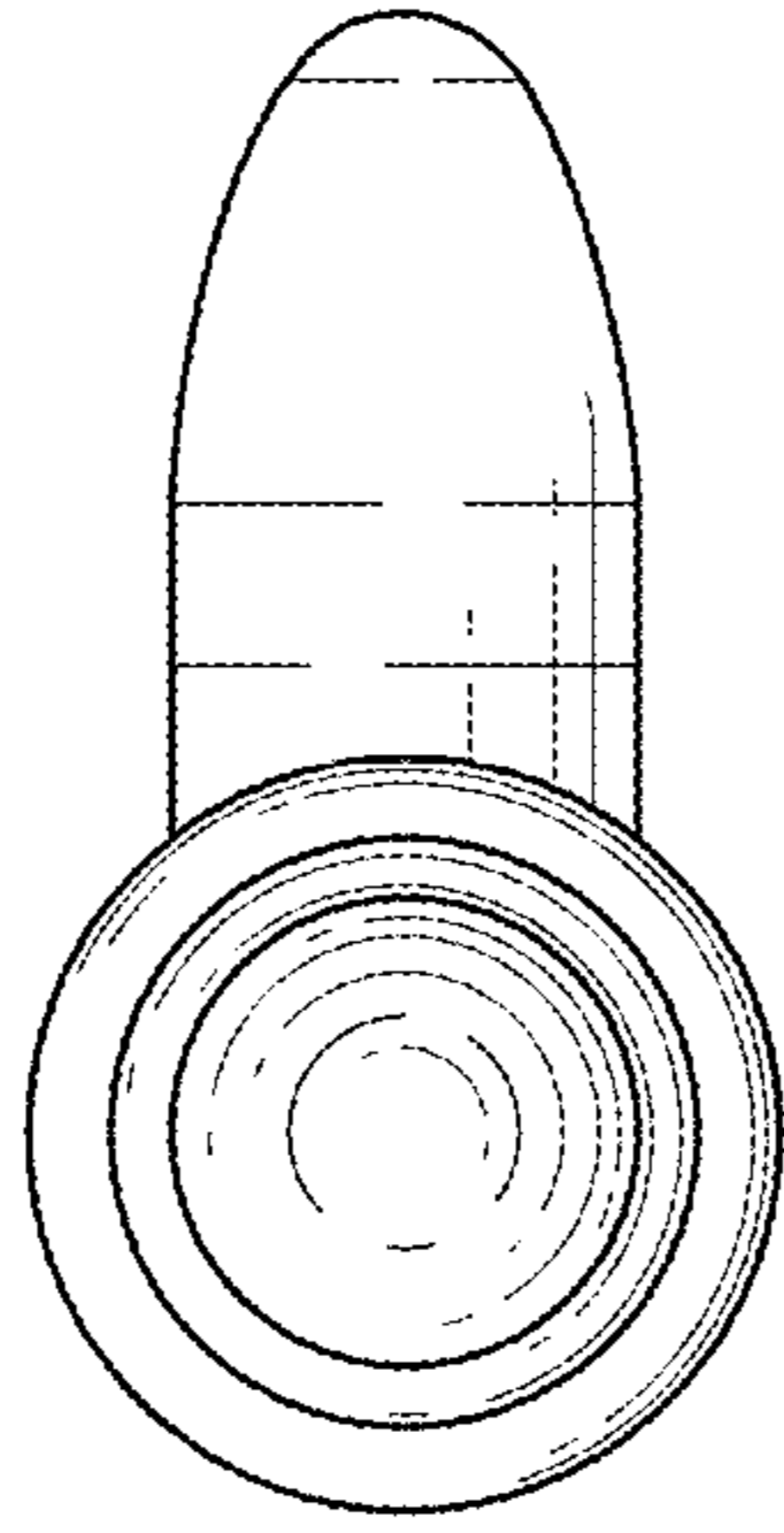


FIG. 47

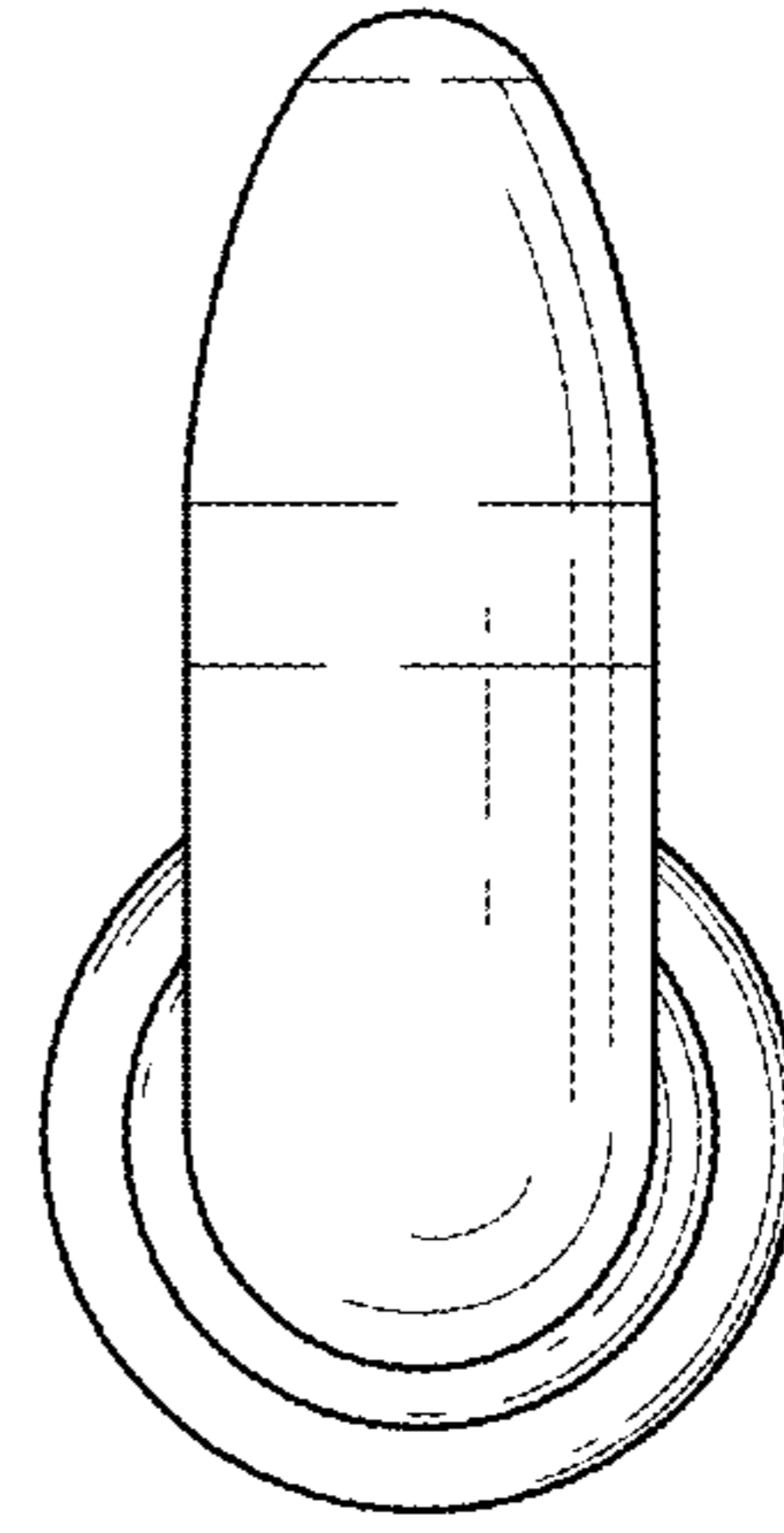


FIG. 48

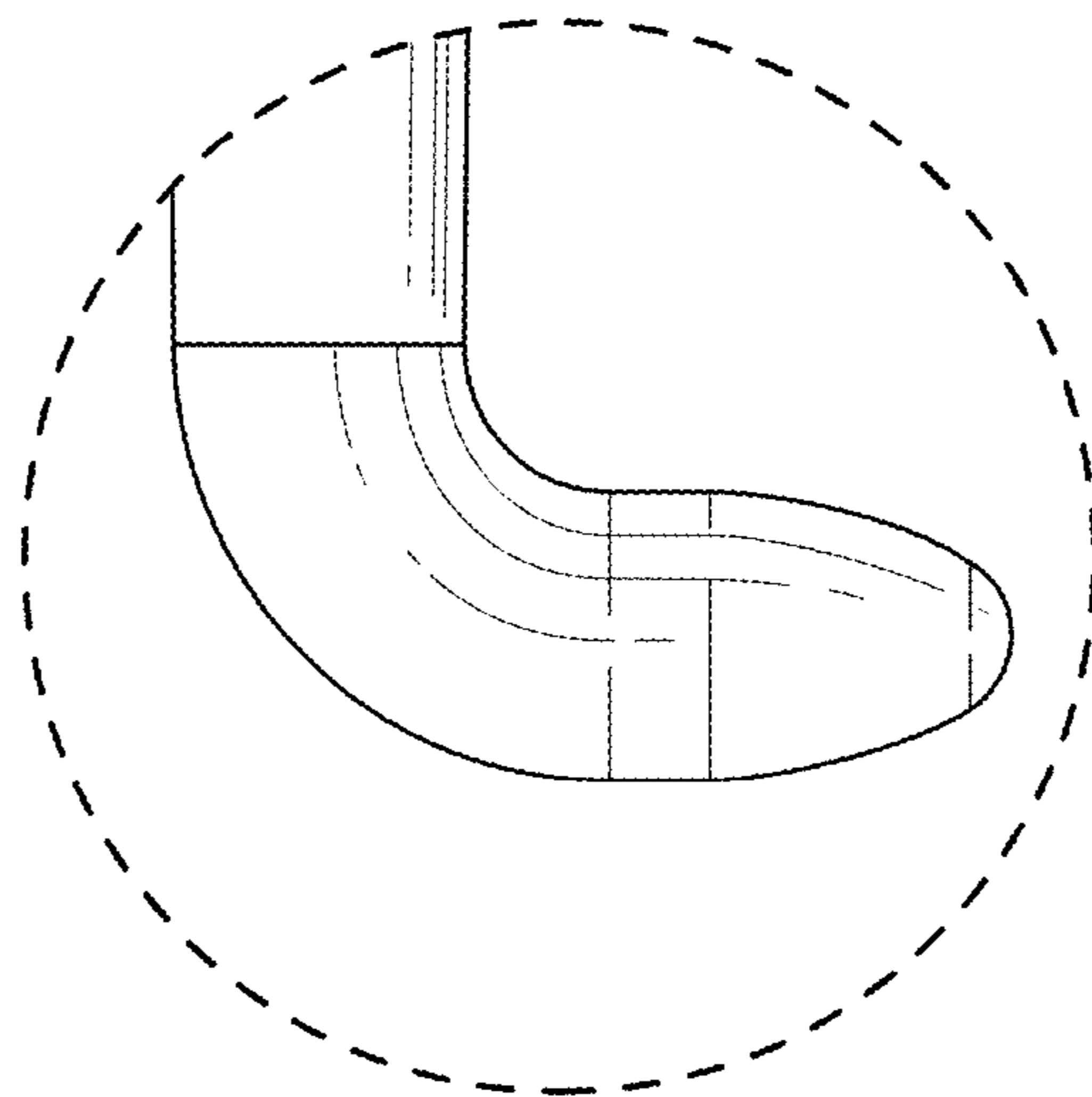


FIG. 46