



US00D772405S

(12) **United States Design Patent** (10) **Patent No.:** **US D772,405 S**
Fites et al. (45) **Date of Patent:** **** Nov. 22, 2016**

(54) **ABSORBENT ARTICLE SUBSTRATE WITH A PATTERN**

(71) Applicant: **The Procter & Gamble Company**,
Cincinnati, OH (US)

(72) Inventors: **Theodore Cory Fites**, Cincinnati, OH (US); **Rachael Eden Walther**, Union, KY (US); **John Andrew Strasemeier**, Aurora, IN (US); **Ann Cecilia Tapp**, West Chester, OH (US); **Jennifer Lynn DuSold**, Cincinnati, OH (US)

(73) Assignee: **The Procter & Gamble Company**,
Cincinnati, OH (US)

(**) Term: **14 Years**

(21) Appl. No.: **29/490,579**

(22) Filed: **May 12, 2014**

(51) **LOC (10) Cl.** **24-04**

(52) **U.S. Cl.**
USPC **D24/126**

(58) **Field of Classification Search**
USPC D24/124-126; D5/55, 63
CPC A61F 13/476; A61F 13/4704; A61F 13/47245; A61F 13/4702; A61F 13/533; A61F 13/47263; A61F 13/15203; B32B 3/266; B41M 3/12; B41M 3/18; B44F 1/00; B44F 3/00; B44F 5/00; B44F 9/10; B44F 11/04; B44F 11/06; D03D 1/0047; D03D 25/003; D04H 1/00; D10B 2503/04; D21H 27/02

See application file for complete search history.

(56) **References Cited**

U.S. PATENT DOCUMENTS

D466,608 S * 12/2002 Magee D24/126
D566,266 S * 4/2008 Johnson D24/126

D567,371 S * 4/2008 Diego D24/126
D580,050 S * 11/2008 Rinaldi D24/126
D584,404 S * 1/2009 Johnson D24/126
D590,498 S * 4/2009 Fiala D24/126
D597,665 S 8/2009 Rinaldi et al.
D599,013 S * 8/2009 Johnson D24/126
D601,352 S * 10/2009 Skinner D24/126
D624,179 S * 9/2010 Baquer Molas D24/126
D645,144 S * 9/2011 Mason D24/126
D676,132 S * 2/2013 Cutshaw D24/126

(Continued)

FOREIGN PATENT DOCUMENTS

WO WO 2014078247 A2 5/2014

Primary Examiner — T. Chase Nelson

Assistant Examiner — Michelle E Wilson

(74) *Attorney, Agent, or Firm* — Andrew A Paul

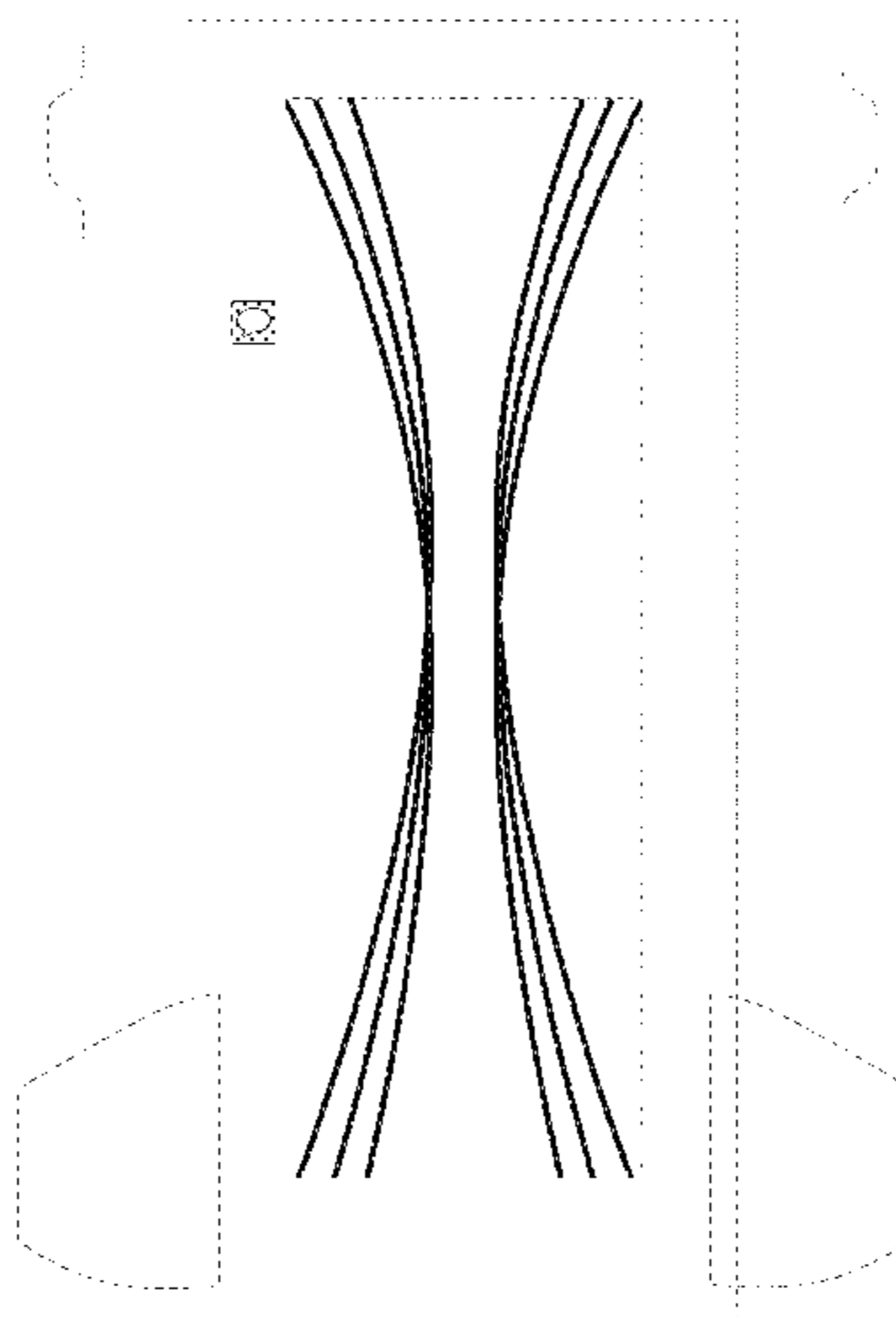
(57) **CLAIM**

The ornamental design for an absorbent article substrate with a pattern, as shown and described.

DESCRIPTION

FIG. 1 is a front view of an embodiment of an absorbent article substrate with a pattern;
FIG. 2 is a rear view of the embodiment of an absorbent article substrate with a pattern shown in FIG. 1;
FIG. 3 is a top end view of the embodiment of an absorbent article substrate with a pattern shown in FIG. 1;
FIG. 4 is a left side view of the embodiment of an absorbent article substrate with a pattern shown in FIG. 1;
FIG. 5 is a right side view of the embodiment of an absorbent article substrate with a pattern shown in FIG. 1; and,
FIG. 6 is a bottom end view of the embodiment of an absorbent article substrate with a pattern shown in FIG. 1. The broken lines, including those showing the diaper tabs and ears, are included for the purpose of illustrating environment and form no part of the claimed design.

1 Claim, 3 Drawing Sheets



(56)

References Cited

U.S. PATENT DOCUMENTS

D681,809 S *	5/2013	Cutshaw	D24/126	D695,895 S *	12/2013	Mason	D24/126
D686,318 S *	7/2013	Mason	D24/126	D699,345 S *	2/2014	Johnson	D24/126
D686,320 S *	7/2013	Hawes	D24/126	D699,346 S *	2/2014	McElroy	D24/126
D691,715 S *	10/2013	Mason	D24/126	D721,804 S *	1/2015	Cutshaw	D24/126
D693,922 S *	11/2013	Frias	D24/126	D722,159 S *	2/2015	Cutshaw	D24/126
				D744,642 S *	12/2015	Bergstedt	D24/126
				2005/0217791 A1	10/2005	Costello et al.	

* cited by examiner

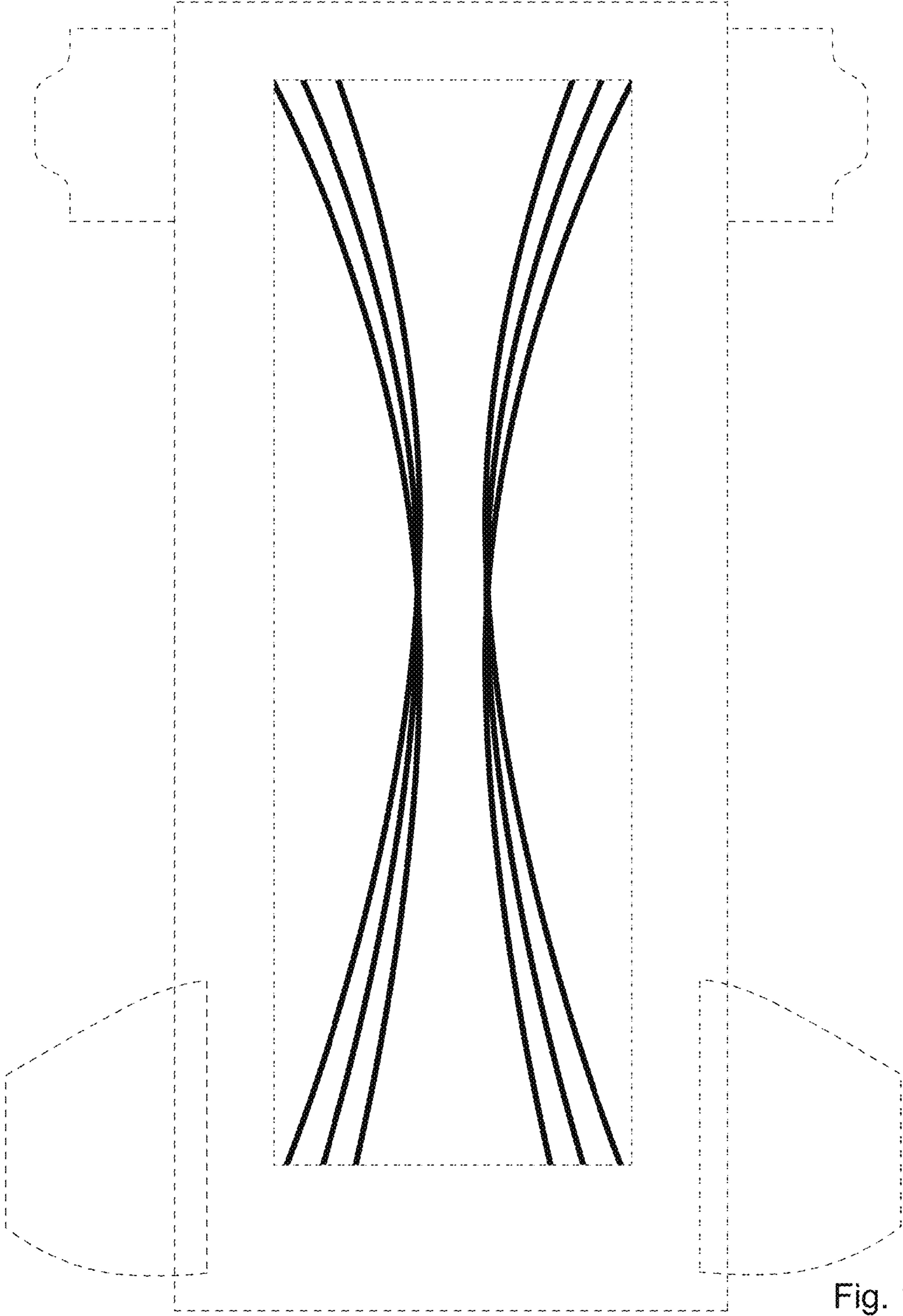


Fig. 1

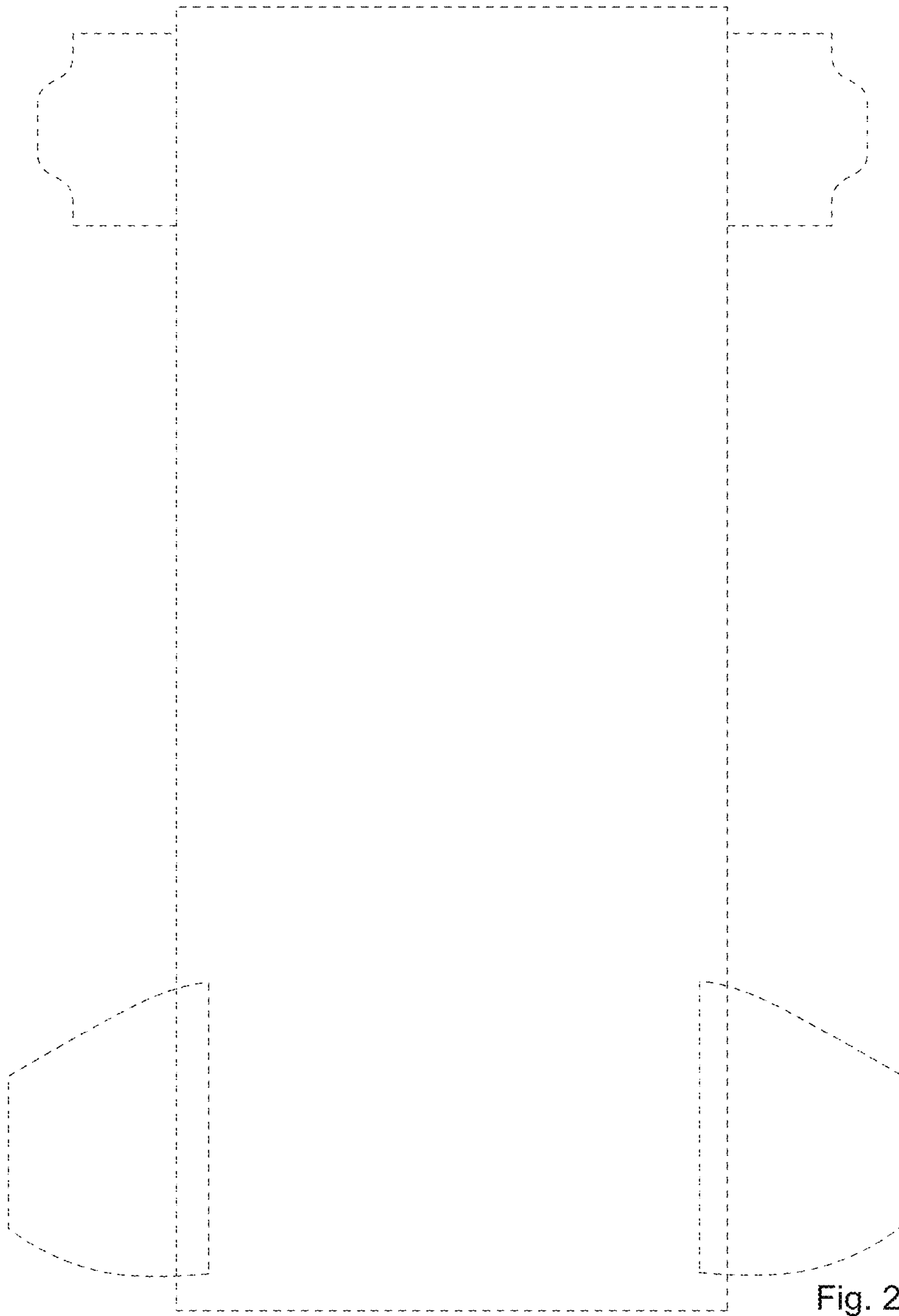


Fig. 2

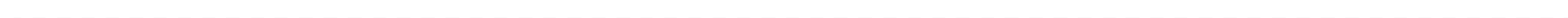


Fig. 3

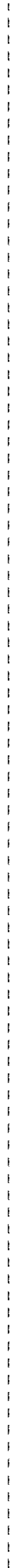


Fig. 4



Fig. 5



Fig. 6