



US00D772404S

(12) **United States Design Patent** (10) **Patent No.:** **US D772,404 S**
Meske (45) **Date of Patent:** **** Nov. 22, 2016**

(54) **ARCHITECTURAL ACCENT**
(71) Applicant: **Robert Meske**, Whitmore Lake, MI (US)
(72) Inventor: **Robert Meske**, Whitmore Lake, MI (US)

8,549,791 B1 10/2013 Loughren et al.
D698,947 S * 2/2014 Griffiths D25/125
D718,883 S * 12/2014 Thrush D25/124
D730,276 S * 5/2015 Wang D13/102
2005/0193639 A1* 9/2005 Knudson E04D 13/076
52/12
2010/0242388 A1 9/2010 DePaul
2011/0067328 A1* 3/2011 Naccarato E04F 11/00
52/182

(**) Term: **14 Years**

FOREIGN PATENT DOCUMENTS

(21) Appl. No.: **29/503,281**

GB 2191518 A 12/1987
WO WO-2014064659 A1 5/2014

(22) Filed: **Sep. 24, 2014**

(51) **LOC (10) Cl.** **24-02**

(52) **U.S. Cl.**
USPC **D24/125**

(58) **Field of Classification Search**
USPC D25/102, 110, 119, 124, 125, 126, 133,
D25/141; 52/11, 13, 204.2, 211, 212, 288.1,
52/653.1, 663, 718.01; 174/68.1-68.3
See application file for complete search history.

* cited by examiner

Primary Examiner — Ian Simmons
Assistant Examiner — Samantha Q Lawrence
(74) *Attorney, Agent, or Firm* — Marshall, Gerstein & Borun LLP

(56) **References Cited**

(57) **CLAIM**
I claim the ornamental design for an architectural accent, as shown and described.

U.S. PATENT DOCUMENTS

DESCRIPTION

3,524,477 A 8/1970 Steger, Jr.
3,968,603 A * 7/1976 Merson E04B 1/08
52/574
D249,965 S * 10/1978 Cooper D25/125
4,534,147 A 8/1985 Cristell
D283,446 S * 4/1986 Burkinshaw D25/125
5,179,811 A 1/1993 Walker et al.
D358,671 S * 5/1995 Hallsten D25/125
5,711,123 A 1/1998 Lamont et al.
D423,121 S * 4/2000 Siudzinski D25/125
6,240,693 B1 6/2001 Komasara et al.
D541,955 S * 5/2007 Simko D25/125
D564,105 S * 3/2008 Amato D25/125
7,370,453 B2 * 5/2008 Puzio E04F 19/0436
52/287.1
D679,421 S * 4/2013 Nolan D25/125
D689,206 S * 9/2013 Ellsworth D25/125

FIG. 1 is a perspective view of an architectural accent;
FIG. 2 is a top view thereof;
FIG. 3 is a front view thereof;
FIG. 4 is an elevation view of the architectural accent taken along lines 4-4 of FIG. 2; and,
FIG. 5 is a rear view of the architectural accent.
The broken lines shown in FIGS. 1, 2, and 5 illustrate portions of the architectural accent that form no part of the claimed design. The architectural accent is shown with a symbolic break in its length, width, and height. The appearance of any portion of the article between the break lines forms no part of the claimed design.

1 Claim, 3 Drawing Sheets

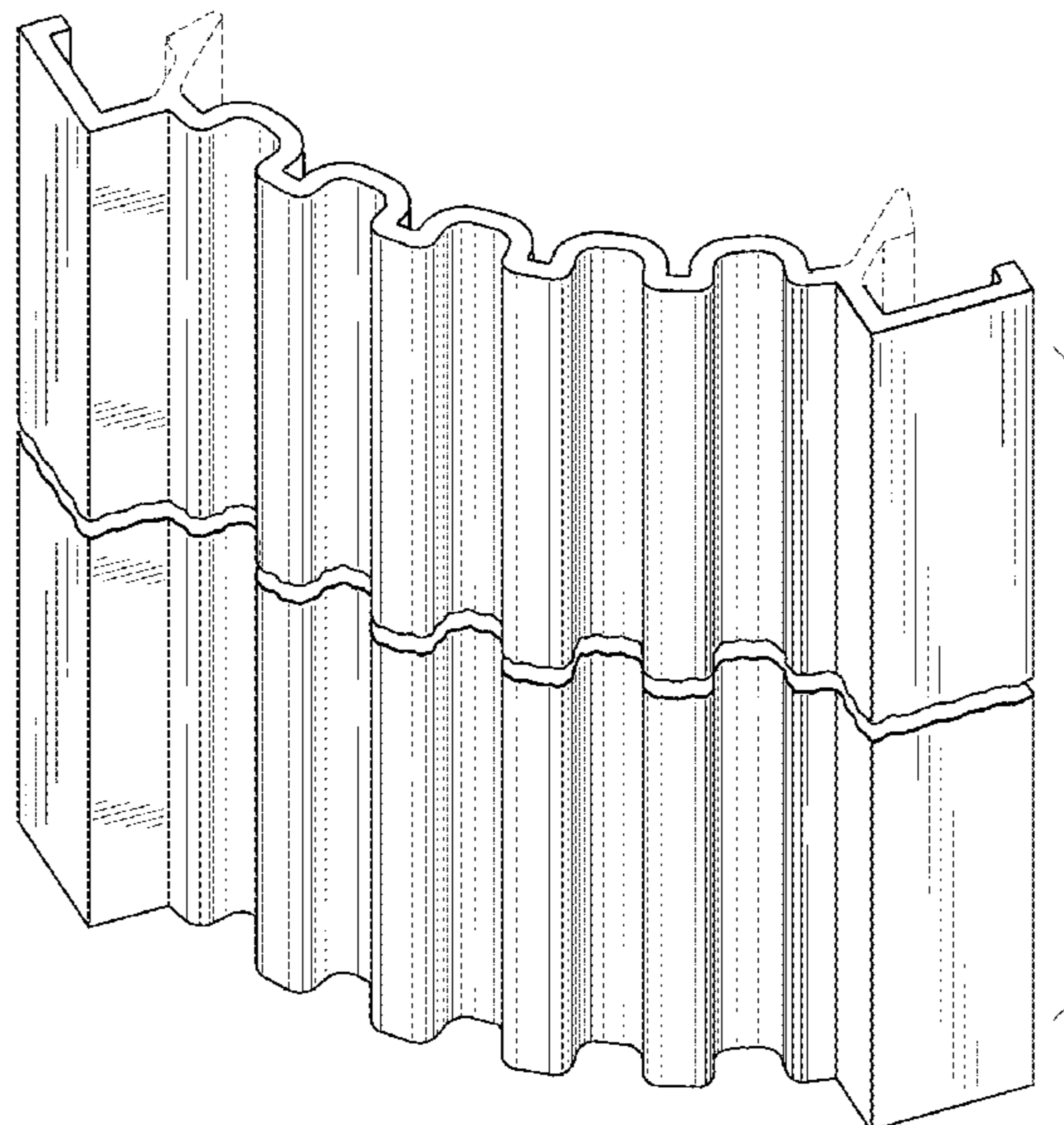


Fig. 1

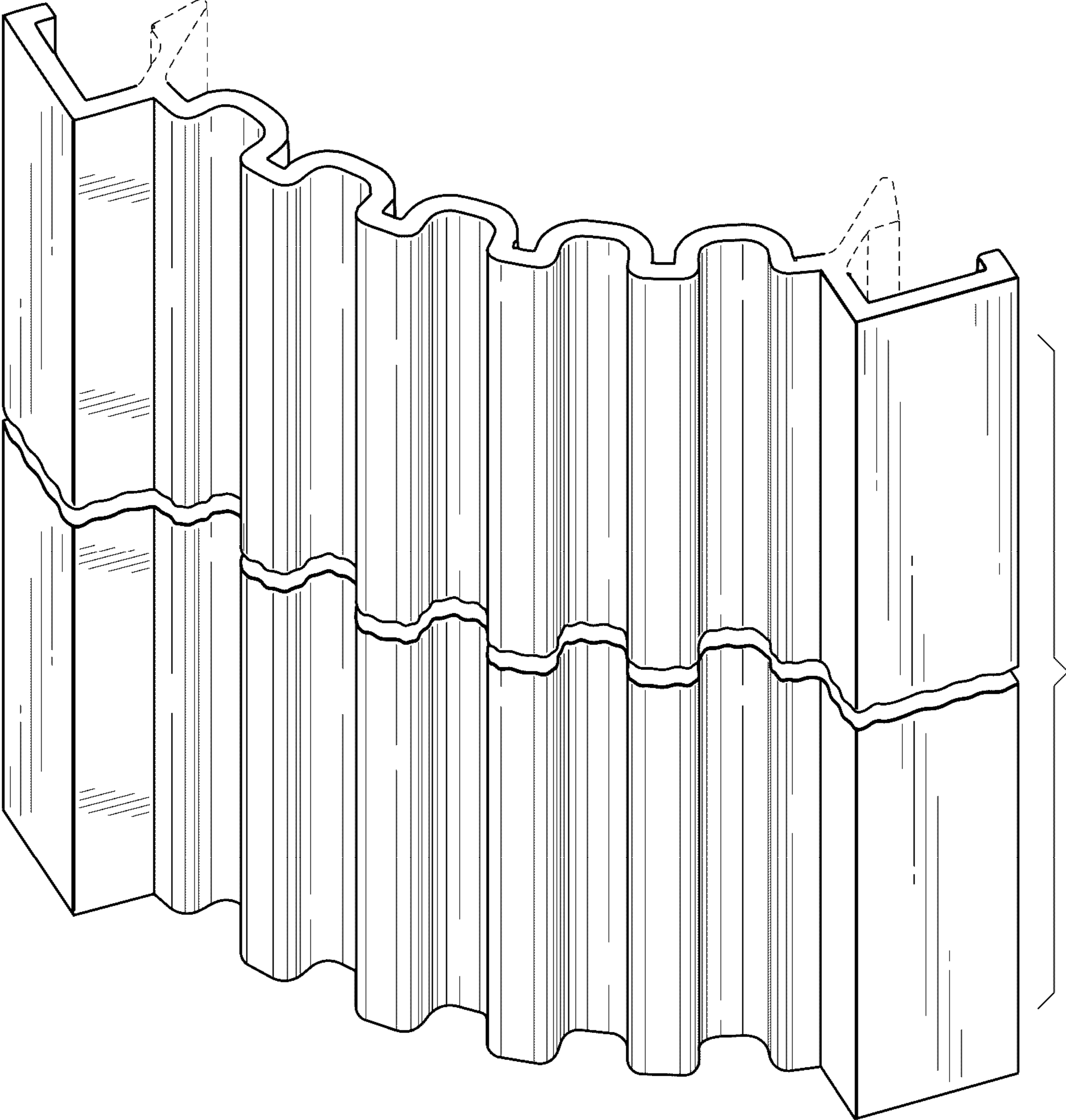


Fig. 2

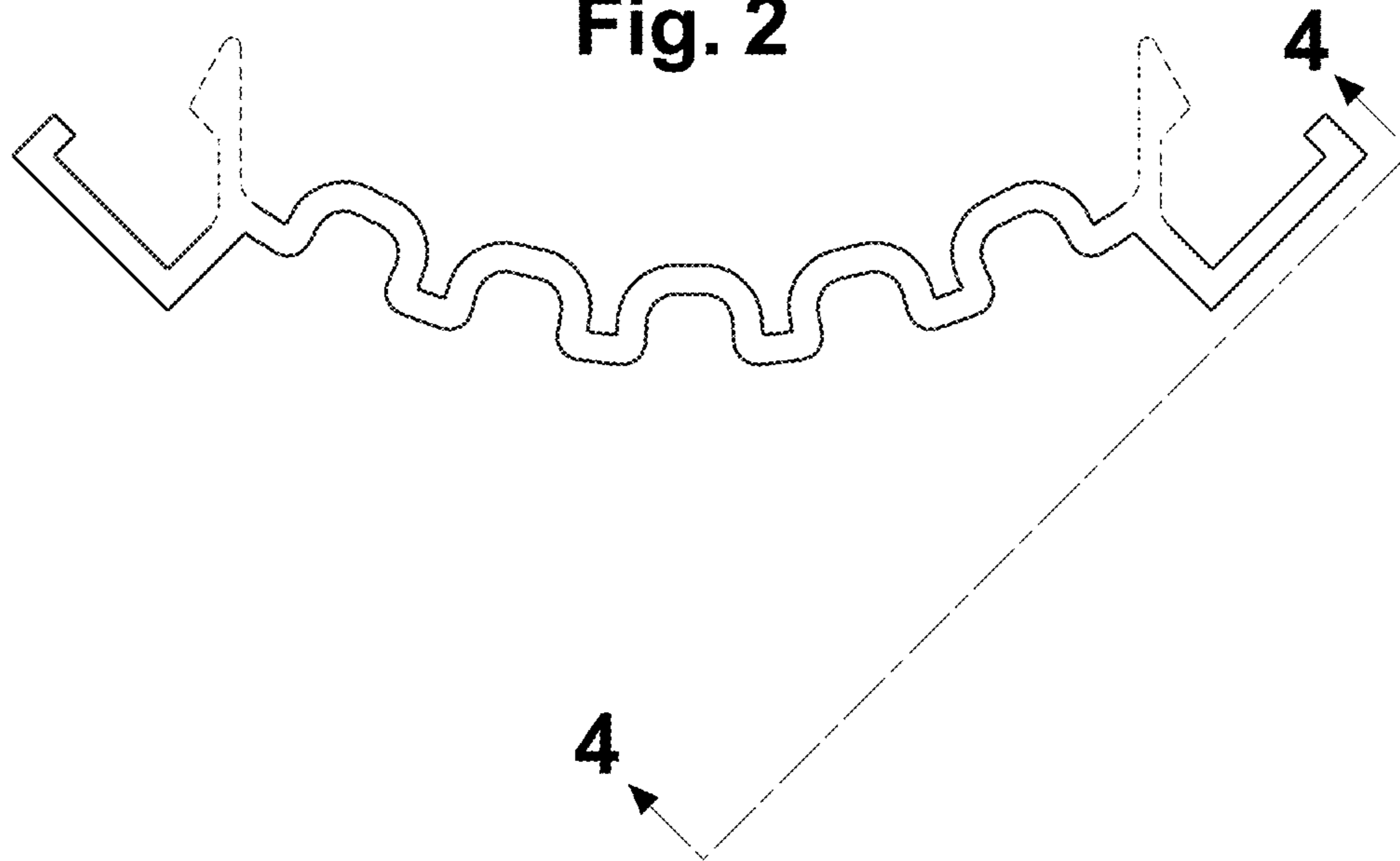


Fig. 3

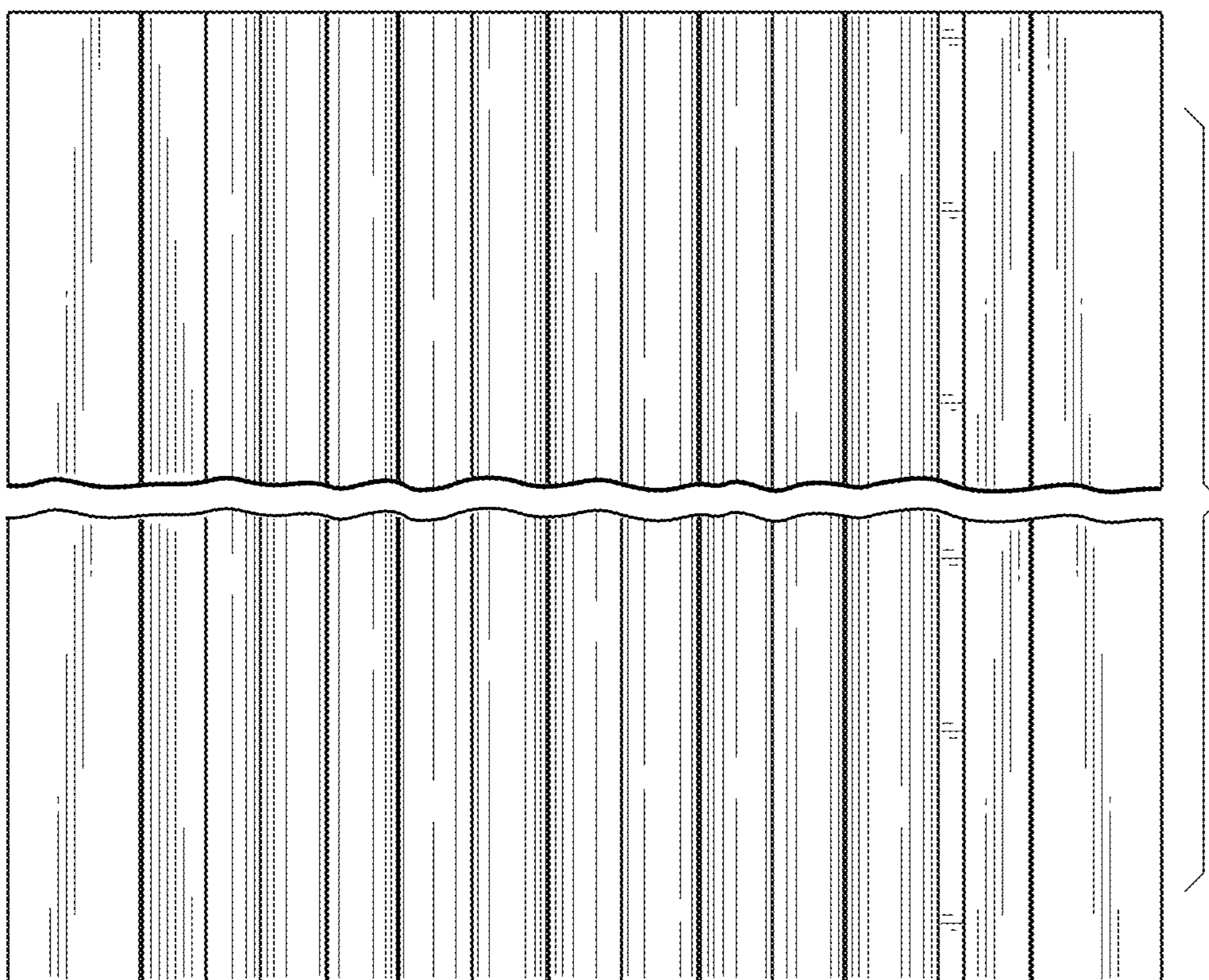


Fig. 4

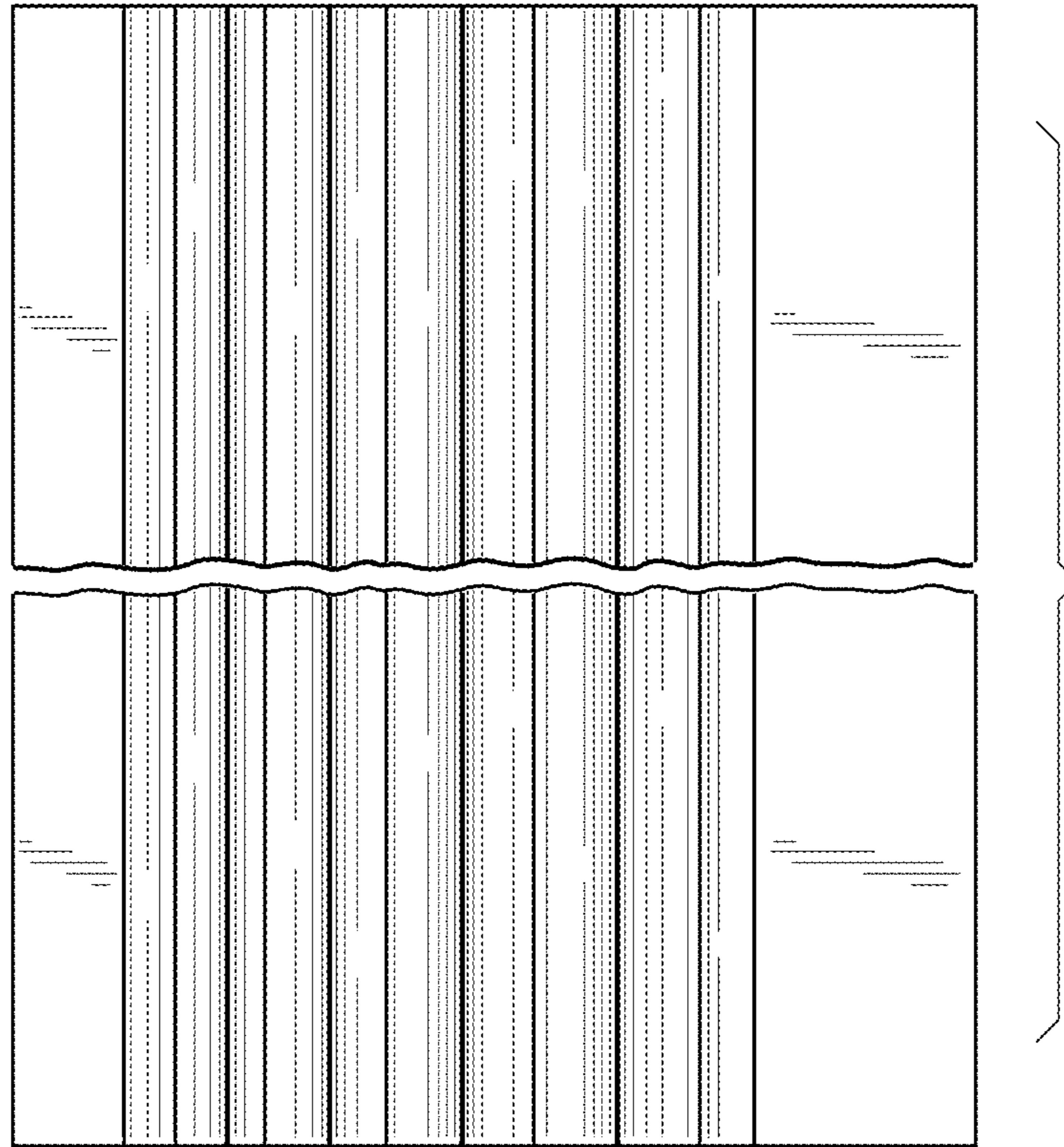


Fig. 5

