



US00D772399S

(12) **United States Design Patent** (10) **Patent No.:** **US D772,399 S**
Beechie (45) **Date of Patent:** **** Nov. 22, 2016**

(54) **EXTENDED ENEMA DEVICE APPLICATOR**

(71) Applicant: **Kenneth L. Beechie**, University Place, WA (US)

(72) Inventor: **Kenneth L. Beechie**, University Place, WA (US)

(**) Term: **14 Years**

(21) Appl. No.: **29/506,985**

(22) Filed: **Oct. 22, 2014**

(51) **LOC (10) Cl.** **24-02**

(52) **U.S. Cl.**
USPC **D24/119**

(58) **Field of Classification Search**
USPC D24/108, 109, 115, 119, 121, 127, 129, D24/133, 135; 604/117, 187, 212, 275, 278, 604/279, 911
See application file for complete search history.

(56) **References Cited**

U.S. PATENT DOCUMENTS

| | | | | |
|-------------------|---------|------------|-------|------------------------|
| D385,628 S * | 10/1997 | Echevarria | | D24/112 |
| 6,110,150 A | 8/2000 | Singo | | |
| D503,798 S * | 4/2005 | Monteiro | | D24/115 |
| D630,734 S * | 1/2011 | Speiser | | D24/133 |
| 8,079,988 B2 | 12/2011 | Beechie | | |
| 8,147,445 B2 | 4/2012 | Cox | | |
| D729,929 S * | 5/2015 | McBride | | D24/108 |
| D746,445 S * | 12/2015 | Lazarus | | D24/127 |
| D750,771 S * | 3/2016 | Malin | | D24/121 |
| 2008/0215011 A1 | 9/2008 | Beechie | | |
| 2010/0042056 A1 | 2/2010 | Beechie | | |
| 2010/0249730 A1 * | 9/2010 | Beechie | | A61M 3/0262 604/275 |

2012/0310174 A1* 12/2012 Yoo A61M 3/0262
604/212
2014/0128677 A1* 5/2014 Lenart A61M 3/02
600/114

* cited by examiner

Primary Examiner — Garth Rademaker
Assistant Examiner — Samantha Q Lawrence
(74) *Attorney, Agent, or Firm* — Christensen O'Connor Johnson Kindness PLLC

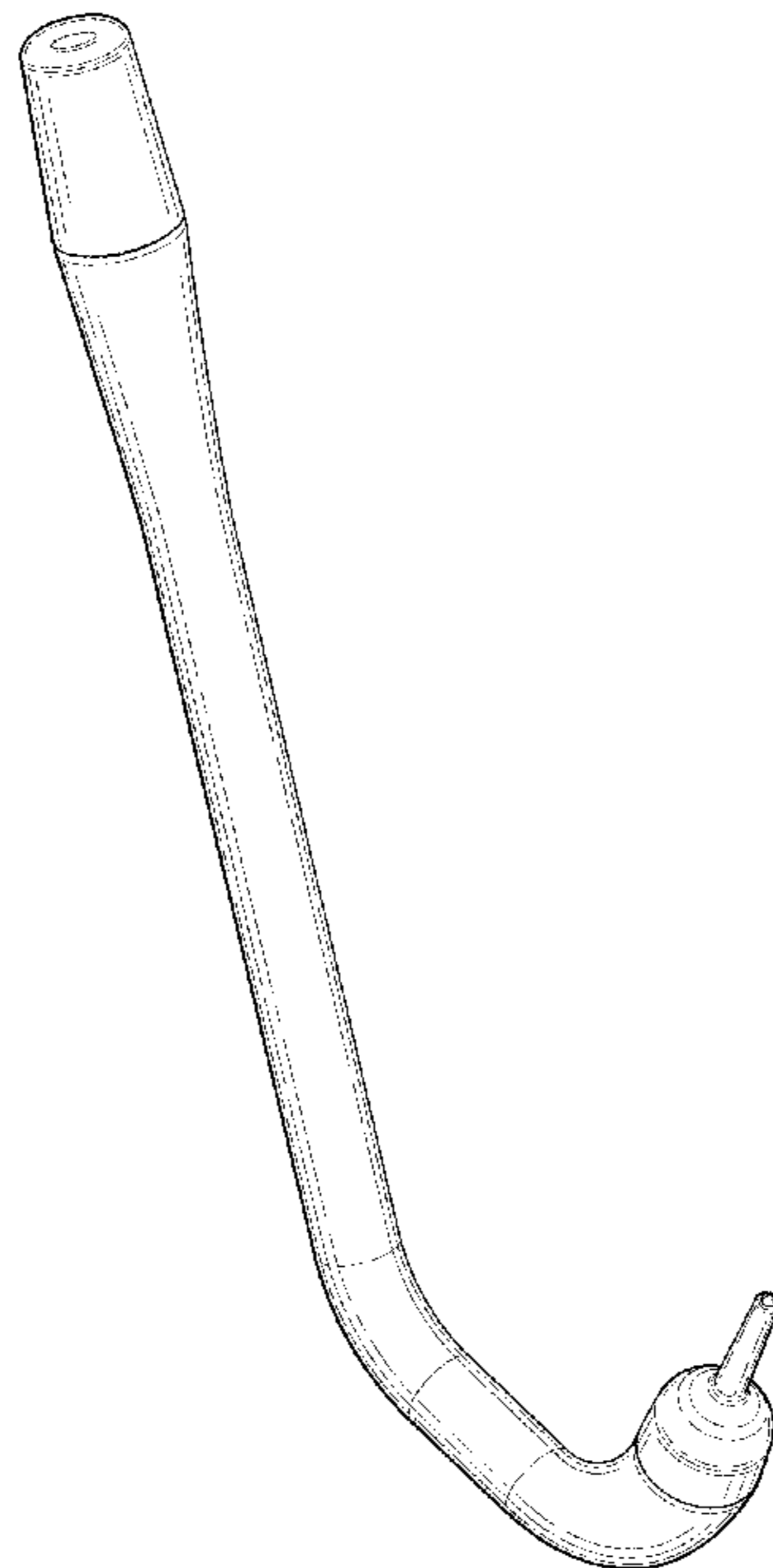
(57) **CLAIM**

The ornamental design for an extended enema device applicator, as shown and described.

DESCRIPTION

FIG. 1 is a top front right perspective view of an extended enema device applicator showing my new design; FIG. 2 is a front elevation view thereof, wherein a rear elevation view is a mirror image of the front elevation view; FIG. 3 is a right side elevation view thereof; FIG. 4 is a left side elevation view thereof; FIG. 5 is a top plan view thereof; FIG. 6 is a bottom plan view thereof; FIG. 7 is a top front right perspective view of an extended enema device applicator according to another embodiment of my new design; FIG. 8 is a front elevation view thereof, wherein a rear elevation view is a mirror image of the front elevation view; FIG. 9 is a right side elevation view thereof; FIG. 10 is a left side elevation view thereof; FIG. 11 is a top plan view thereof; and, FIG. 12 is a bottom plan view thereof. The broken lines shown in the drawings illustrate portions of the extended enema device applicator that form no part of the claimed design.

1 Claim, 8 Drawing Sheets



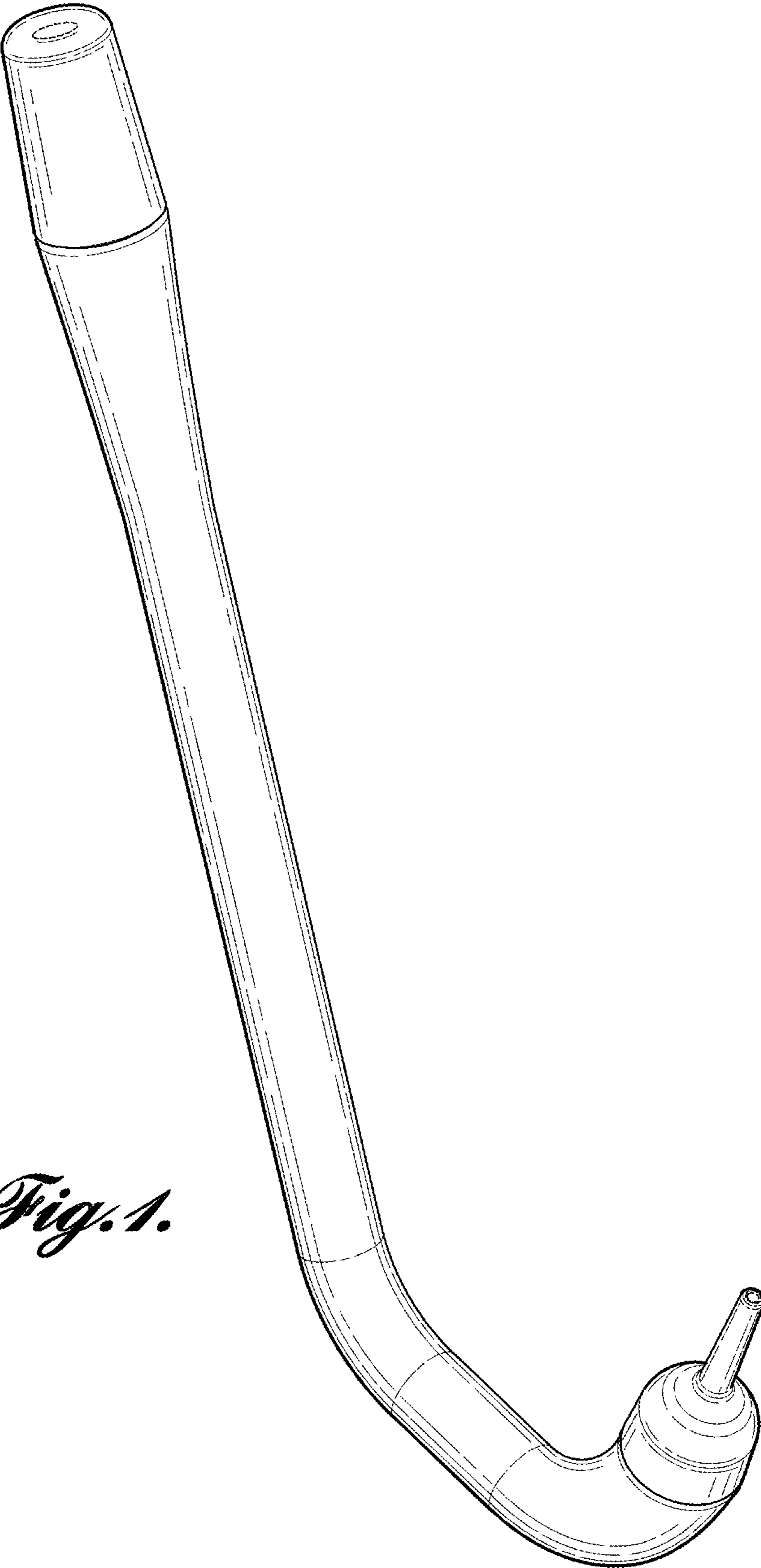


Fig. 1.

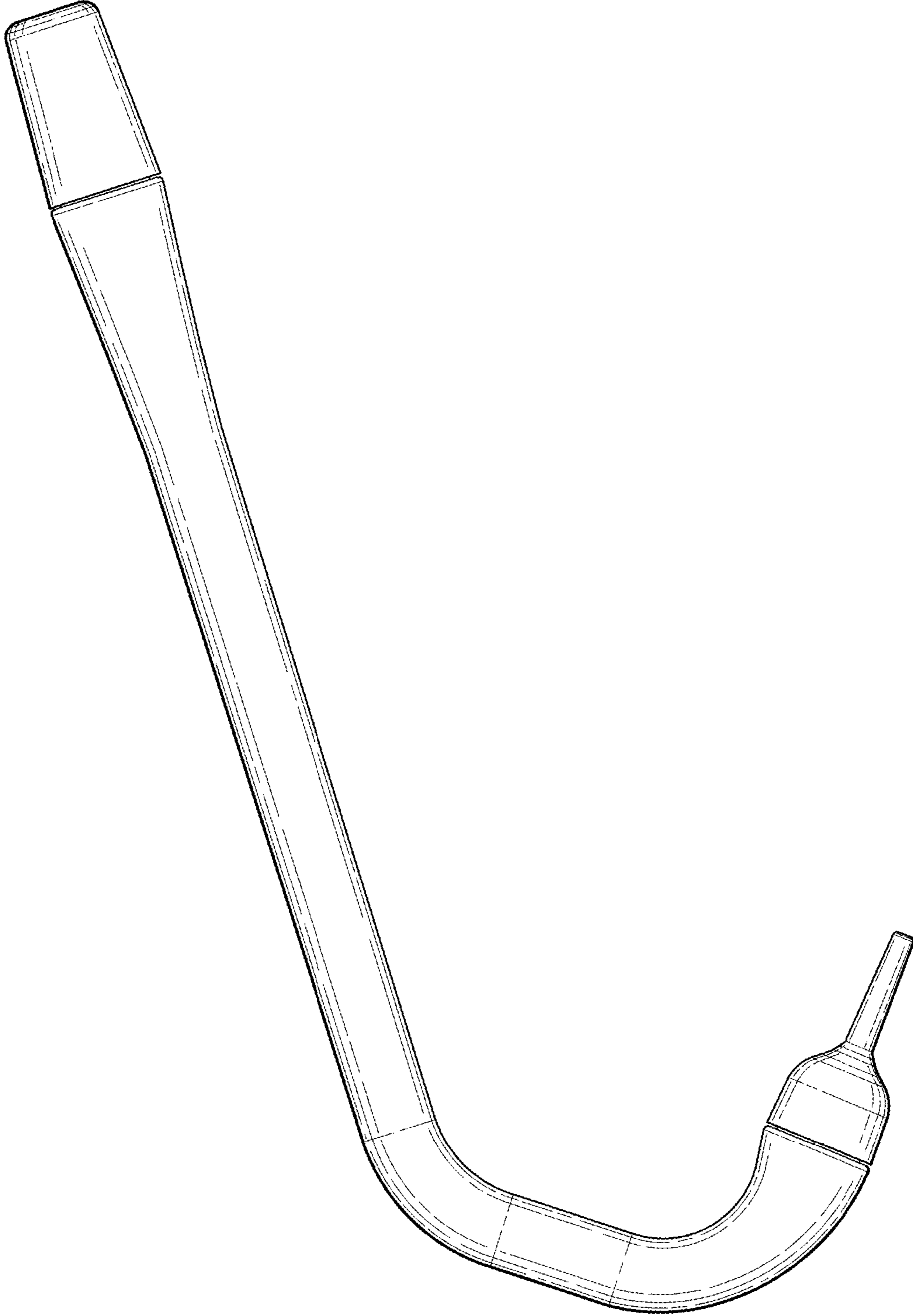


Fig. 2.

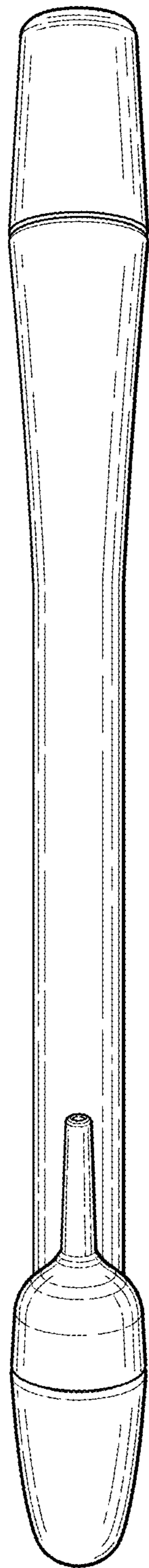


Fig. 3.

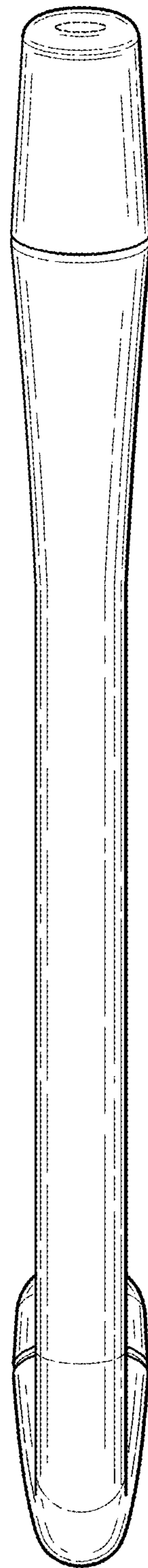


Fig. 4.

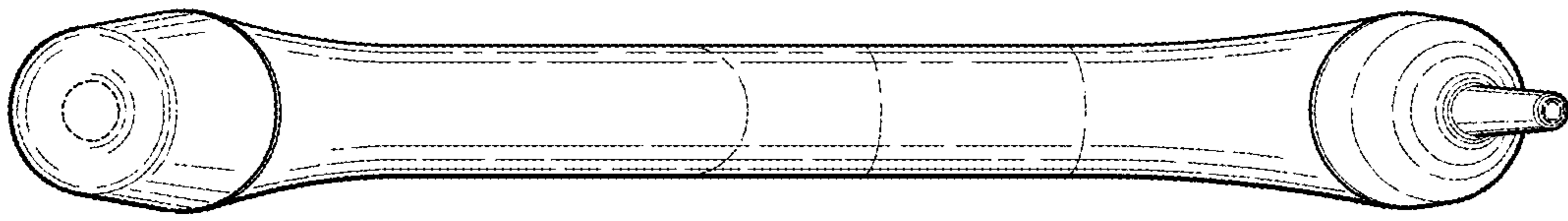


Fig. 5.

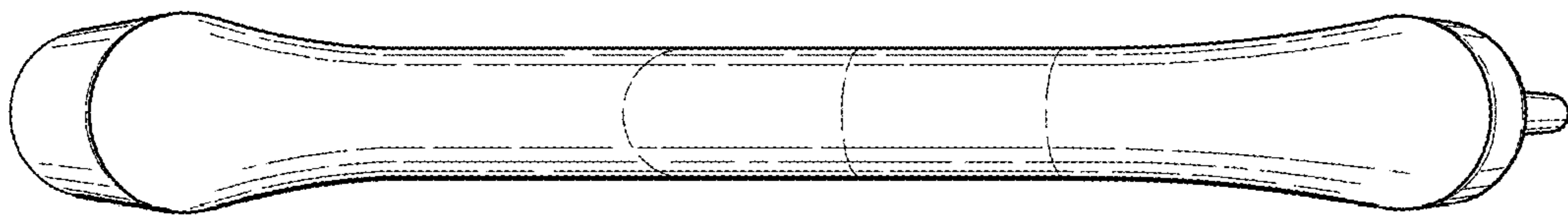
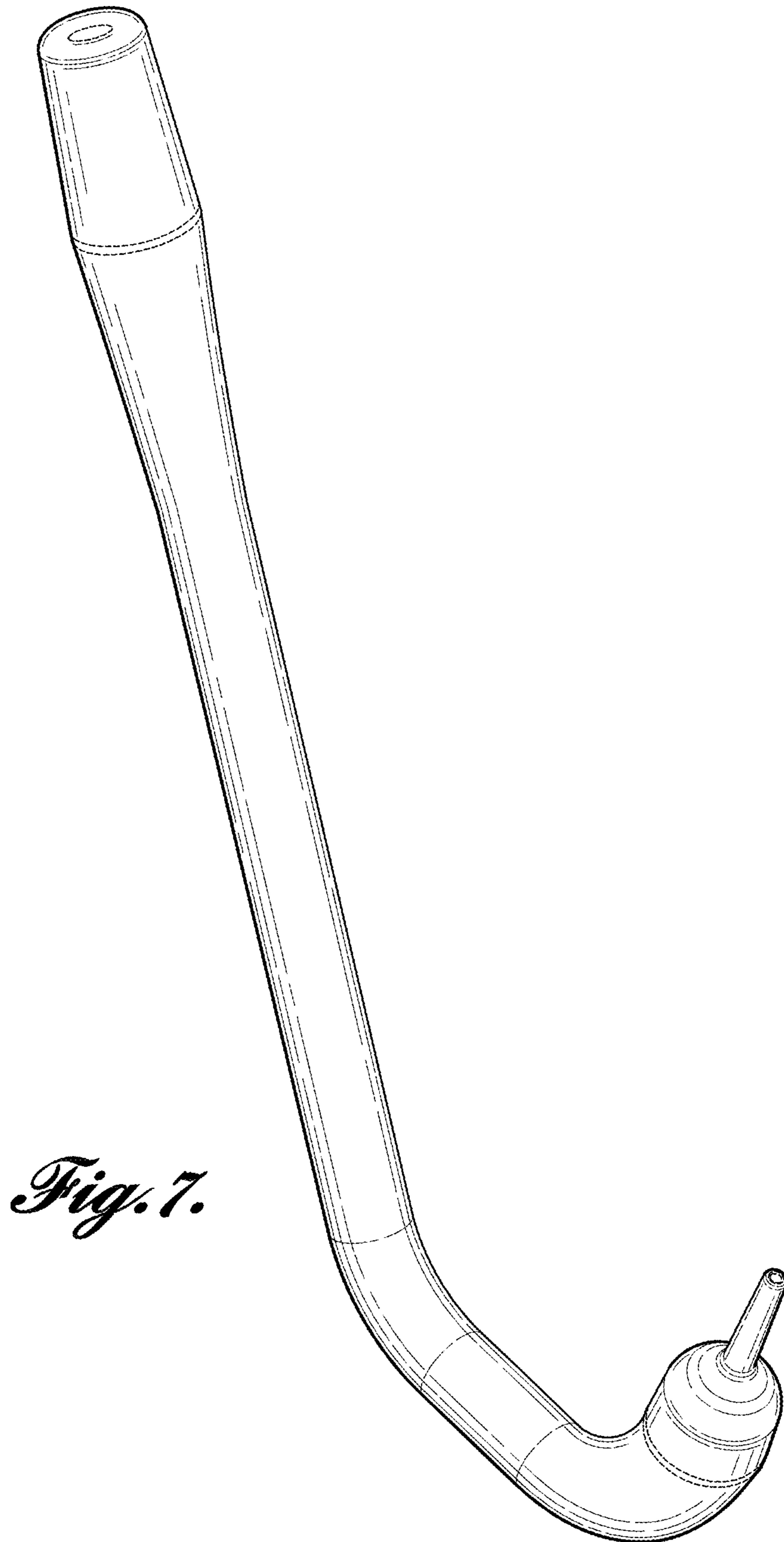


Fig. 6.



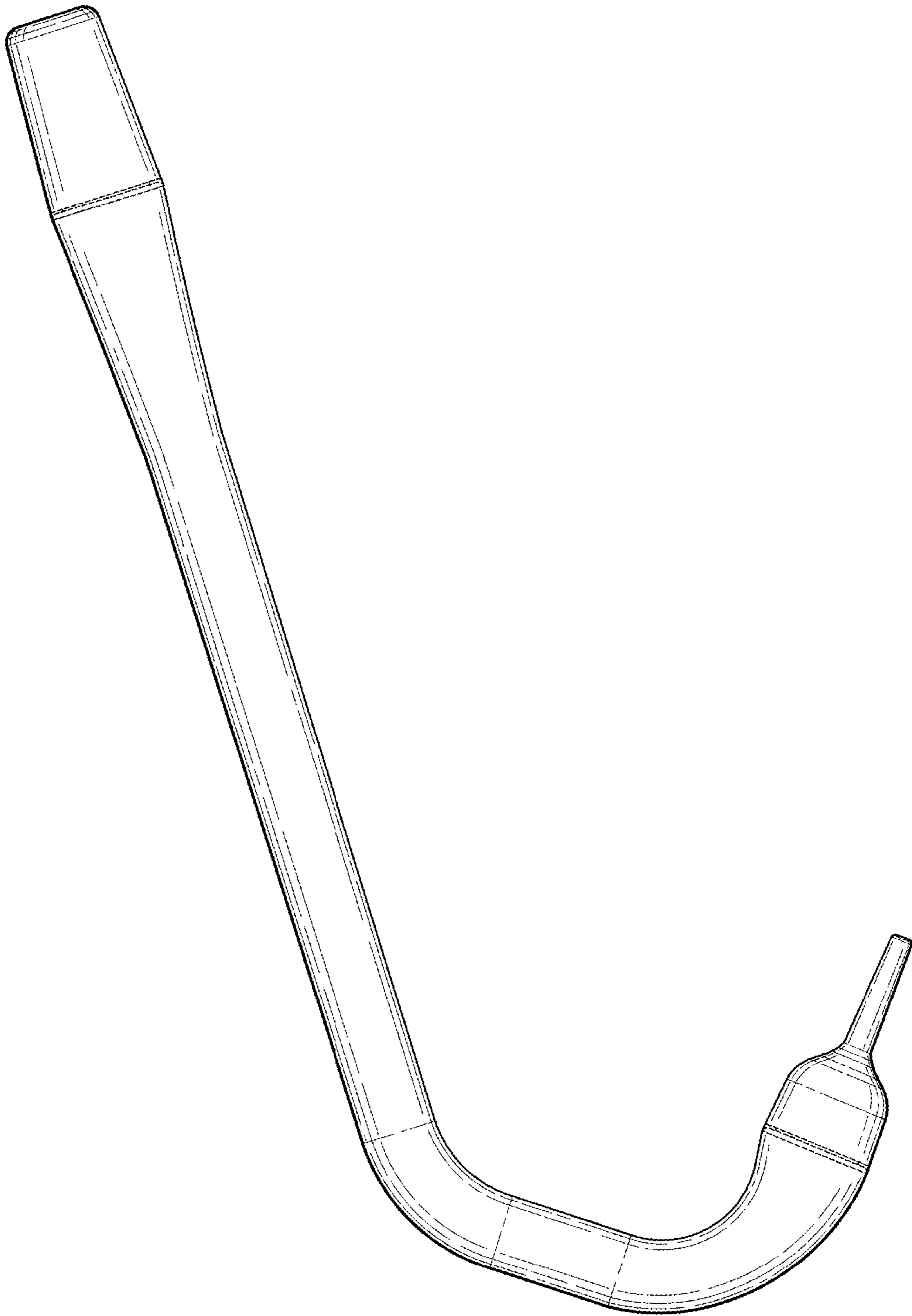


Fig. 8.

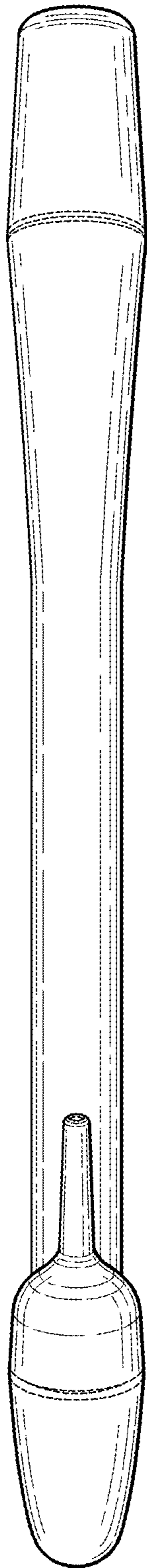


Fig. 9.

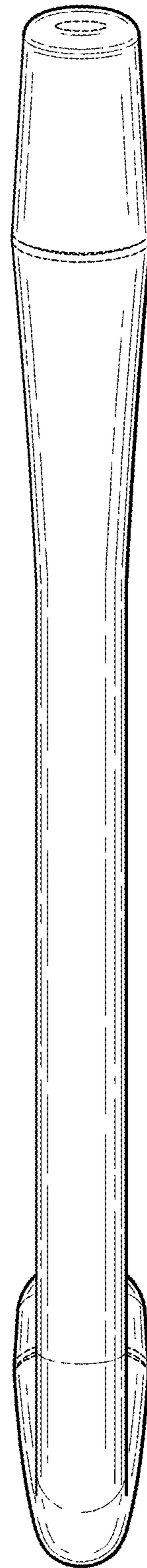


Fig. 10.

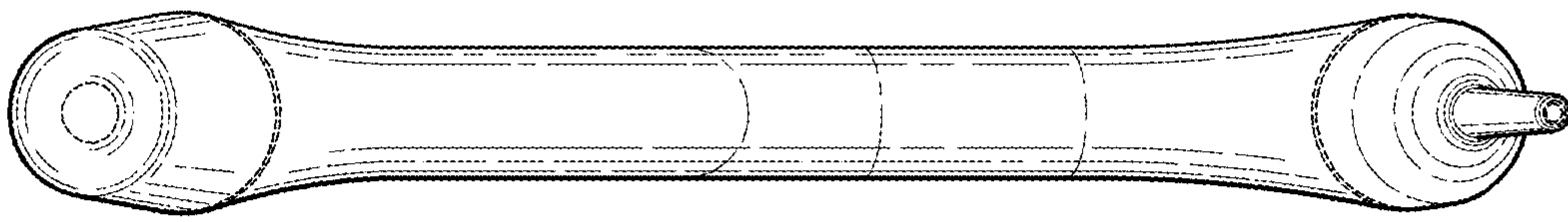


Fig. 11.

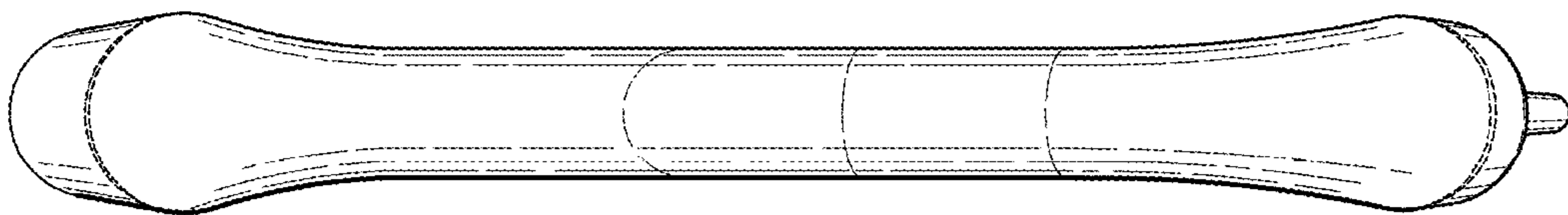


Fig. 12.