



US00D772395S

(12) **United States Design Patent**
Walsh

(10) **Patent No.:** **US D772,395 S**

(45) **Date of Patent:** **** Nov. 22, 2016**

(54) **RESPIRATORY APPARATUS**

(71) Applicant: **Norton (Waterford) Limited,**
Waterford (IE)

(72) Inventor: **Declan Walsh,** Waterford (IE)

(73) Assignee: **Norton (Waterford) Limited,**
Waterford (IE)

(**) Term: **14 Years**

(21) Appl. No.: **29/492,254**

(22) Filed: **May 29, 2014**

(30) **Foreign Application Priority Data**

Nov. 29, 2013 (EM) 002354746

(51) **LOC (10) Cl.** **29-02**

(52) **U.S. Cl.**
USPC **D24/110**

(58) **Field of Classification Search**

USPC D24/107, 108, 110, 111, 164
CPC A61M 15/0065; A61M 15/0091;
A61M 15/0021; A61M 15/0026; A61M
15/00; A61M 11/00; A61M 11/02; A61M
11/04

See application file for complete search history.

(56) **References Cited**

U.S. PATENT DOCUMENTS

D197,687 S *	3/1964	Gurian et al.	D24/110
D207,143 S *	3/1967	Goodwin	D24/110
5,115,803 A *	5/1992	Sioutas	A61M 15/009 128/200.23
5,622,163 A *	4/1997	Jewett	A61M 15/009 128/200.19
D416,998 S *	11/1999	Hodson	D24/110
D433,502 S *	11/2000	Rand	D24/110
D629,504 S	12/2010	Zuyderhoudt		
D629,507 S	12/2010	Zuyderhoudt		
D629,508 S	12/2010	Zuyderhoudt		
D629,889 S	12/2010	Zuyderhoudt		
D635,658 S *	4/2011	Warby	D24/110
D660,410 S	5/2012	Zuyderhoudt		
D660,411 S	5/2012	Zuyderhoudt		
D663,830 S	7/2012	Sears		
D681,803 S	5/2013	Sheehy		

D681,804 S	5/2013	Sheehy		
2001/0032644 A1 *	10/2001	Hodson	A61M 15/009 128/200.23
2002/0189611 A1 *	12/2002	Greenwood	A61M 15/009 128/200.23
2004/0139964 A1 *	7/2004	Langford	A61M 15/009 128/200.23
2004/0255936 A1 *	12/2004	Urbanus	A61M 15/009 128/200.23
2005/0005930 A1 *	1/2005	Rubel	A61M 15/009 128/200.23
2005/0028815 A1 *	2/2005	Deaton	A61M 15/0065 128/200.23
2005/0061314 A1 *	3/2005	Davies	A61K 9/008 128/200.23
2006/0032495 A1 *	2/2006	Fernandez	A45F 5/00 128/200.23
2006/0213504 A1 *	9/2006	Hodson	A61M 15/009 128/200.14
2006/0213505 A1 *	9/2006	Hodson	A61M 15/009 128/200.14

(Continued)

Primary Examiner — Sheryl Lane

Assistant Examiner — Lilyana Bekic

(74) *Attorney, Agent, or Firm* — Christensen O'Connor
Johnson Kindness PLLC

(57) **CLAIM**

The ornamental design for a respiratory apparatus, as shown and described.

DESCRIPTION

FIG. 1 is a left side isometric view of a respiratory apparatus according to my new design;

FIG. 2 is front elevation view of the respiratory apparatus of FIG. 1;

FIG. 3 is a left side elevation view of the respiratory apparatus of FIG. 1;

FIG. 4 is a rear elevation view of the respiratory apparatus of FIG. 1;

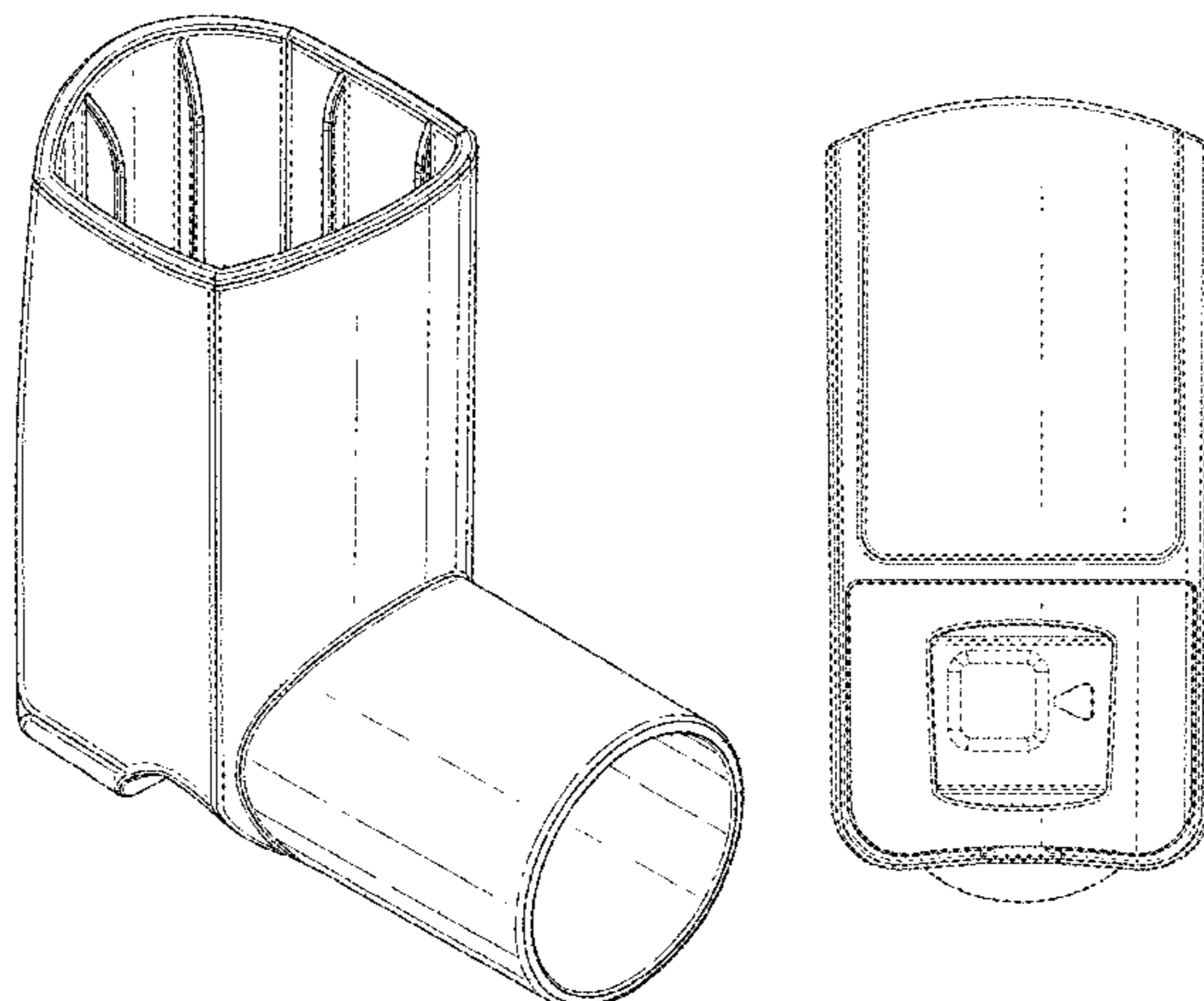
FIG. 5 is a right side elevation view of the respiratory apparatus of FIG. 1;

FIG. 6 is a top plan view of the respiratory apparatus of FIG. 1; and,

FIG. 7 is a bottom plan view of the respiratory apparatus of FIG. 1.

The broken lines illustrate portions of the respiratory apparatus that form no part of the claimed design.

1 Claim, 7 Drawing Sheets



(56)

References Cited

U.S. PATENT DOCUMENTS

2007/0095342	A1*	5/2007	Olfati	A61M 15/009 128/200.23	2011/0283997	A1*	11/2011	Walsh	A61M 15/0065 128/200.23
2008/0035144	A1*	2/2008	Bowman	A61M 15/009 128/203.15	2015/0231342	A1*	8/2015	Walsh	A61M 15/007 128/203.12
2008/0066742	A1*	3/2008	Hodson	A61M 15/0065 128/200.23	2015/0238714	A1*	8/2015	Walsh	A61M 15/0025 128/200.23
2008/0210224	A1*	9/2008	Brunnberg	A61M 15/009 128/200.14	2015/0238715	A1*	8/2015	Walsh	A61M 15/0078 128/200.23
2010/0101566	A1*	4/2010	Fenlon	A61M 15/0065 128/200.23	2015/0250959	A1*	9/2015	Stuart	G06M 1/041 128/200.23

* cited by examiner

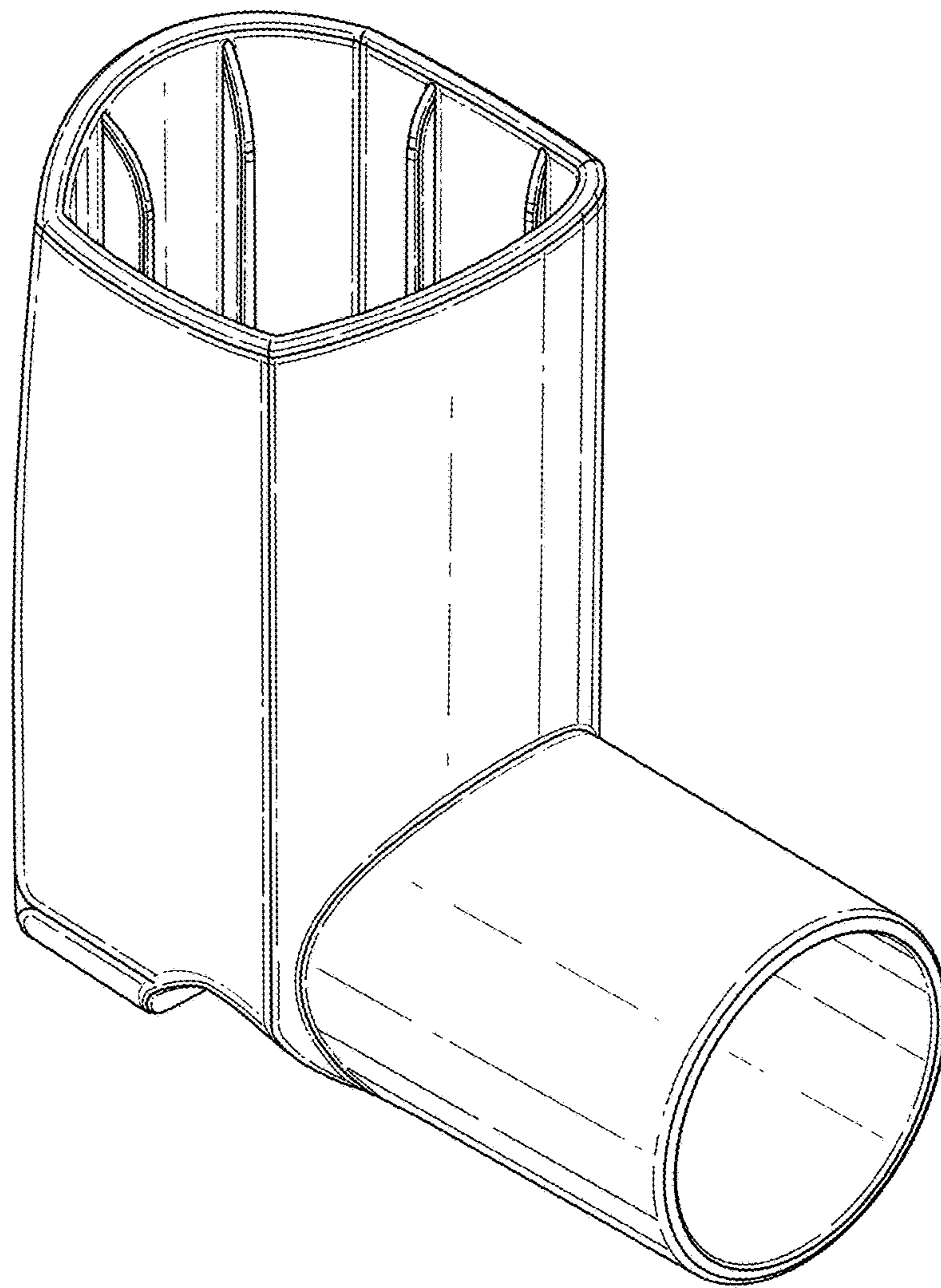


FIG. 1

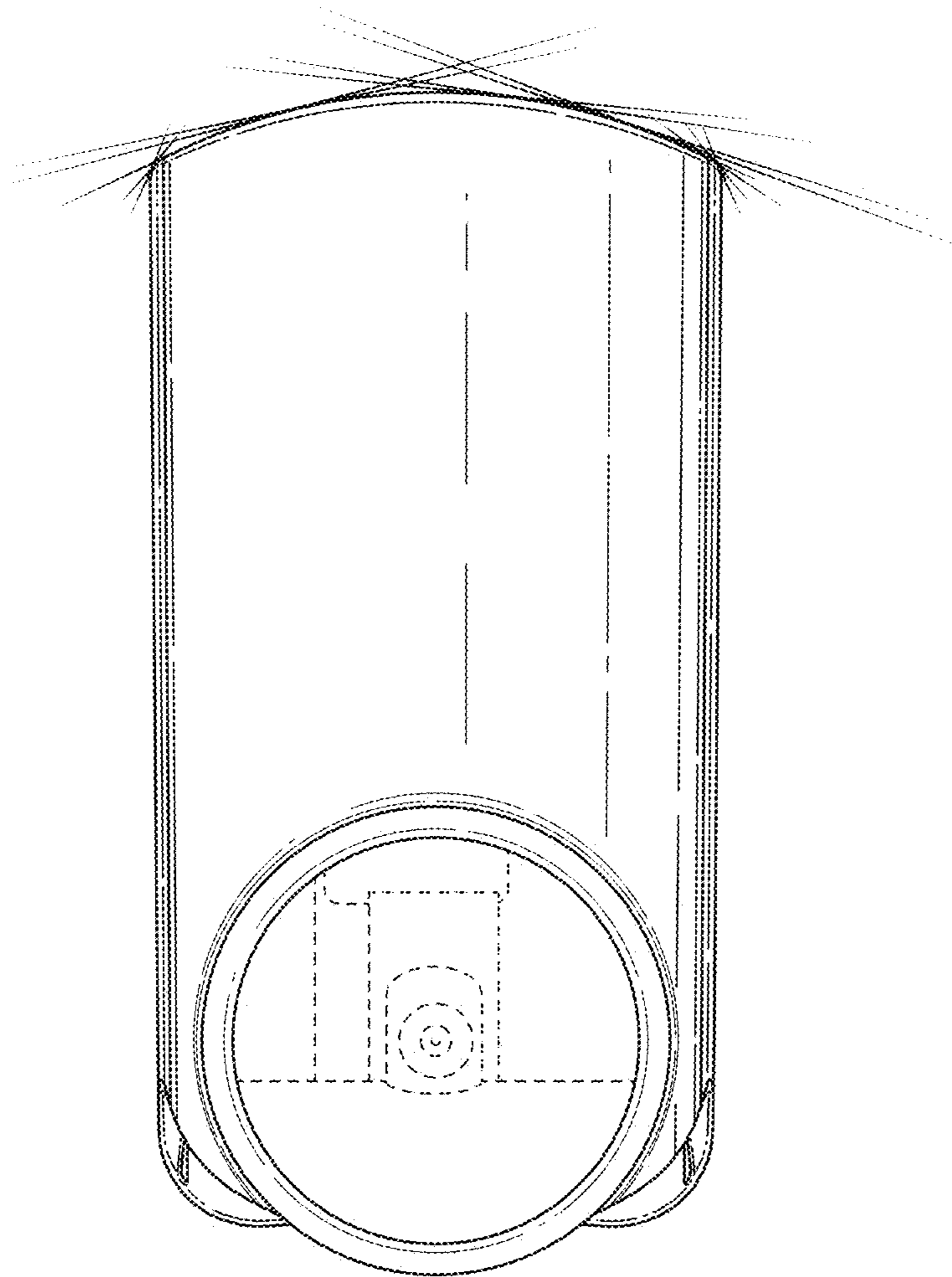


FIG. 2

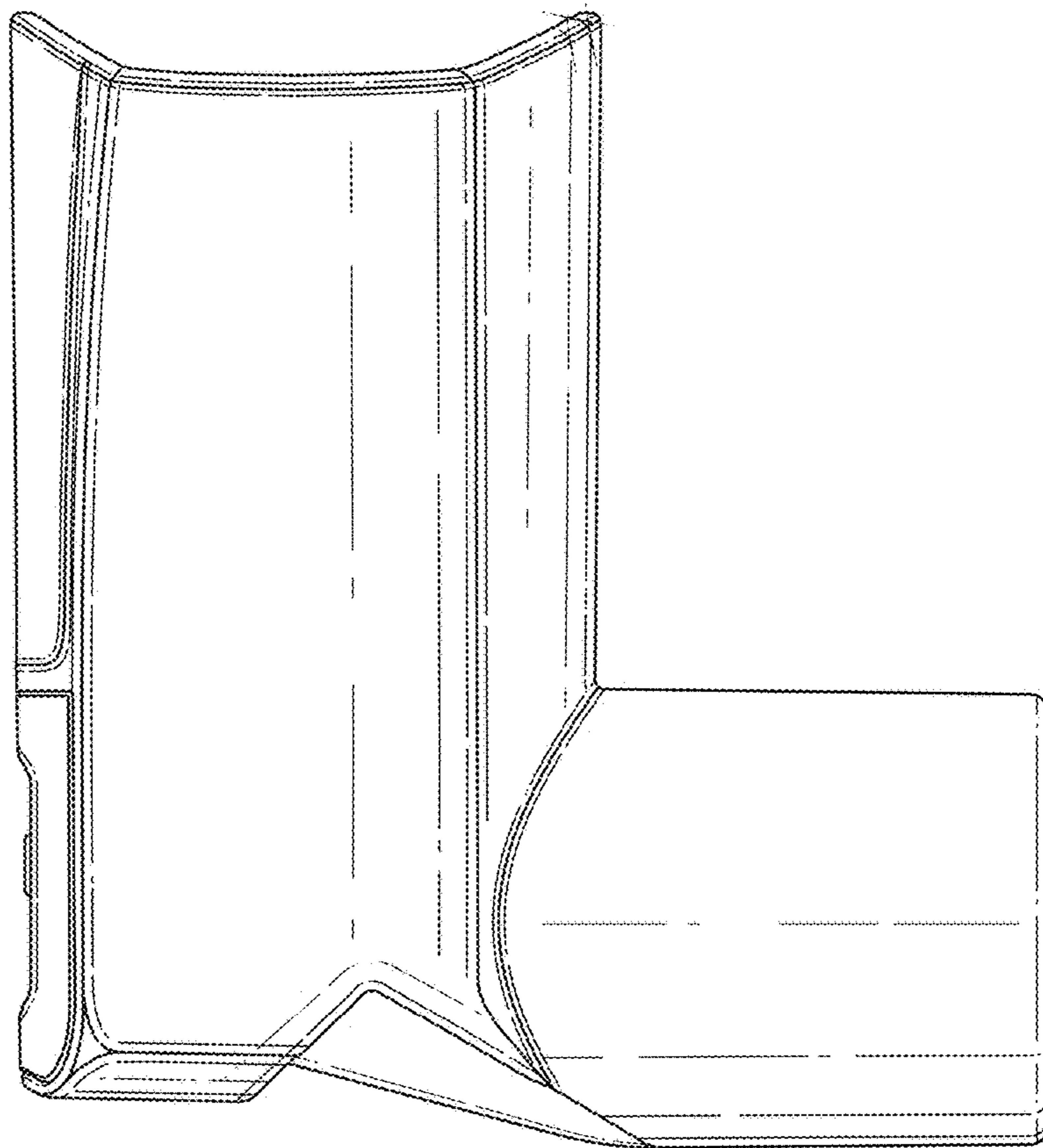


FIG. 3

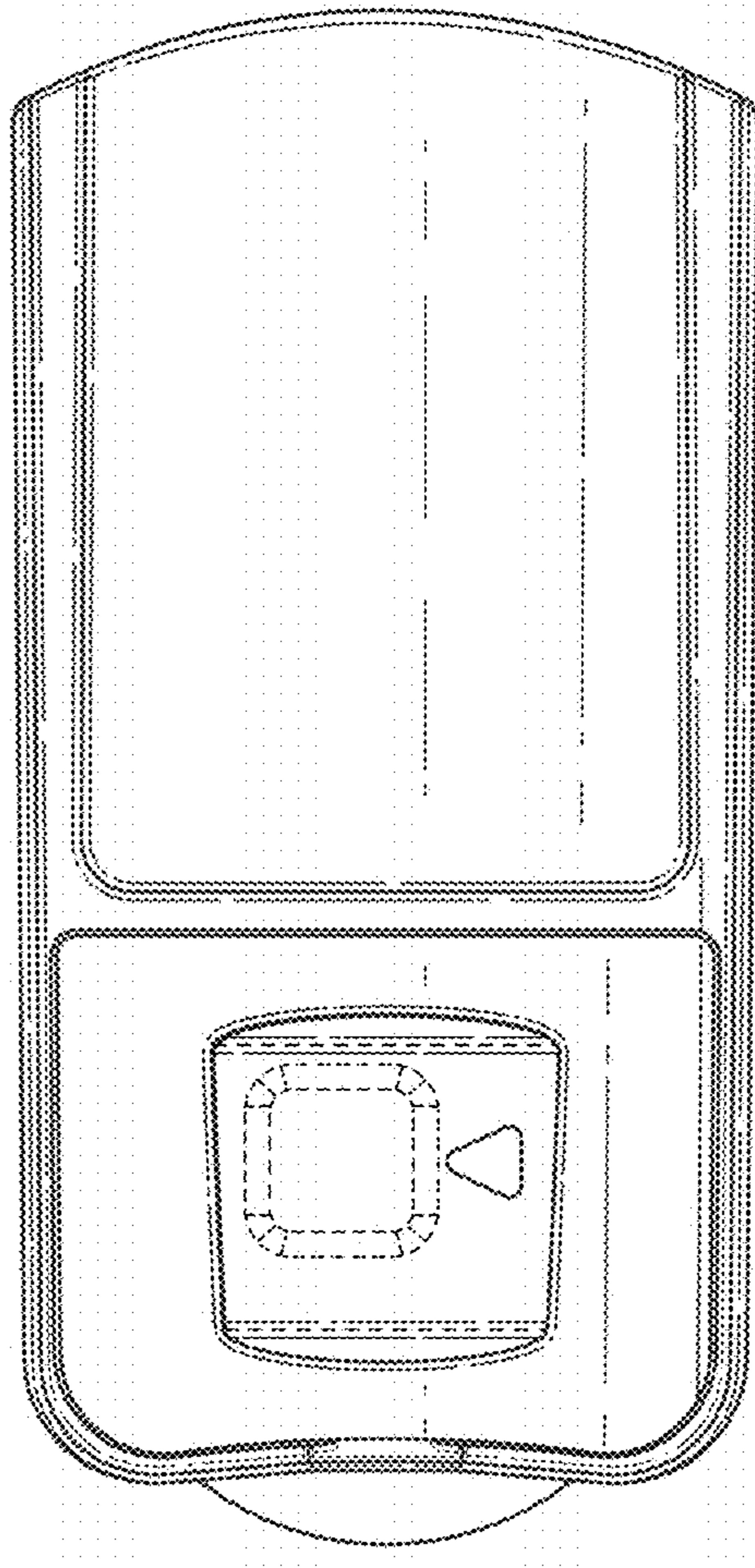


FIG. 4

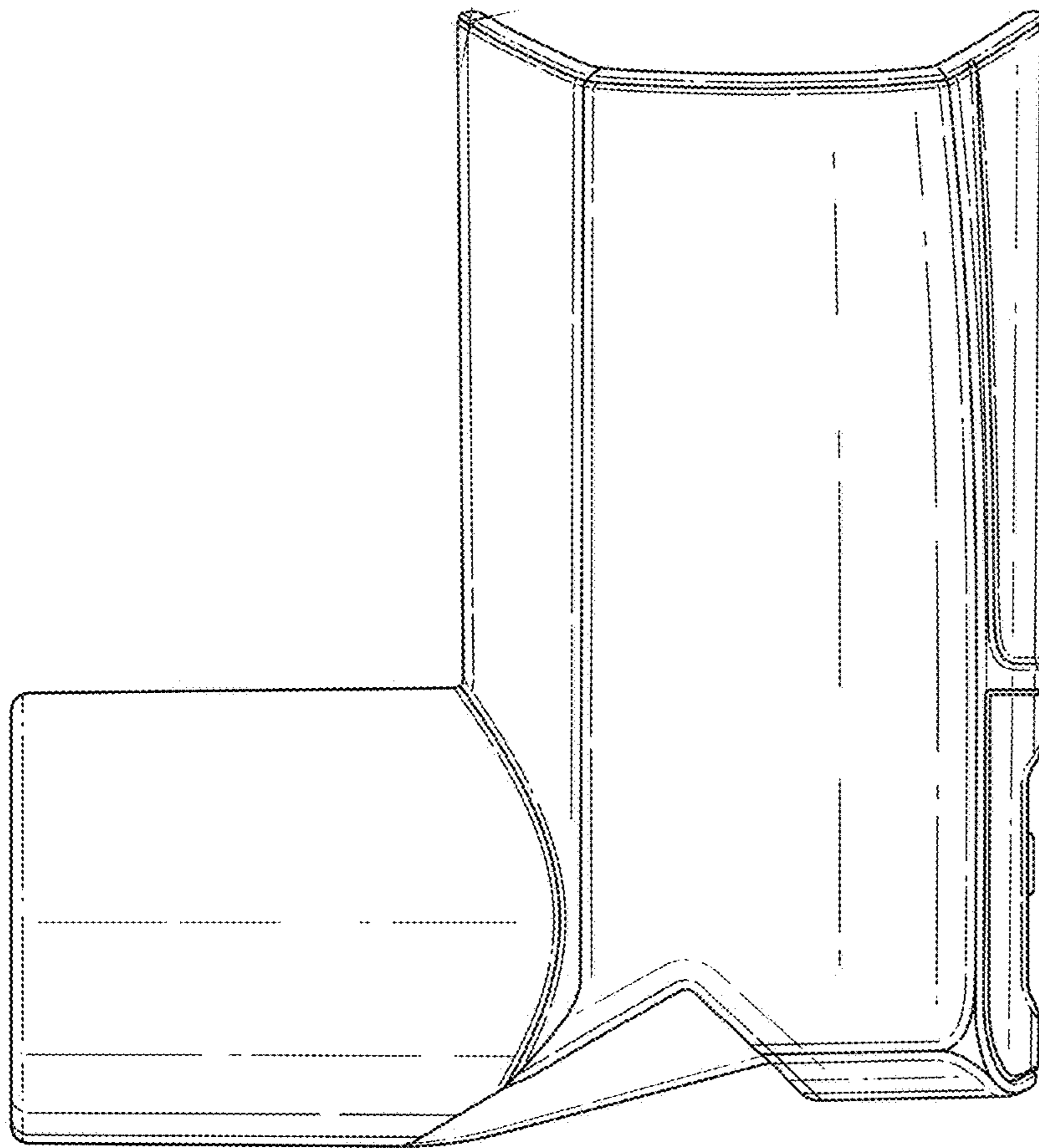


FIG. 5

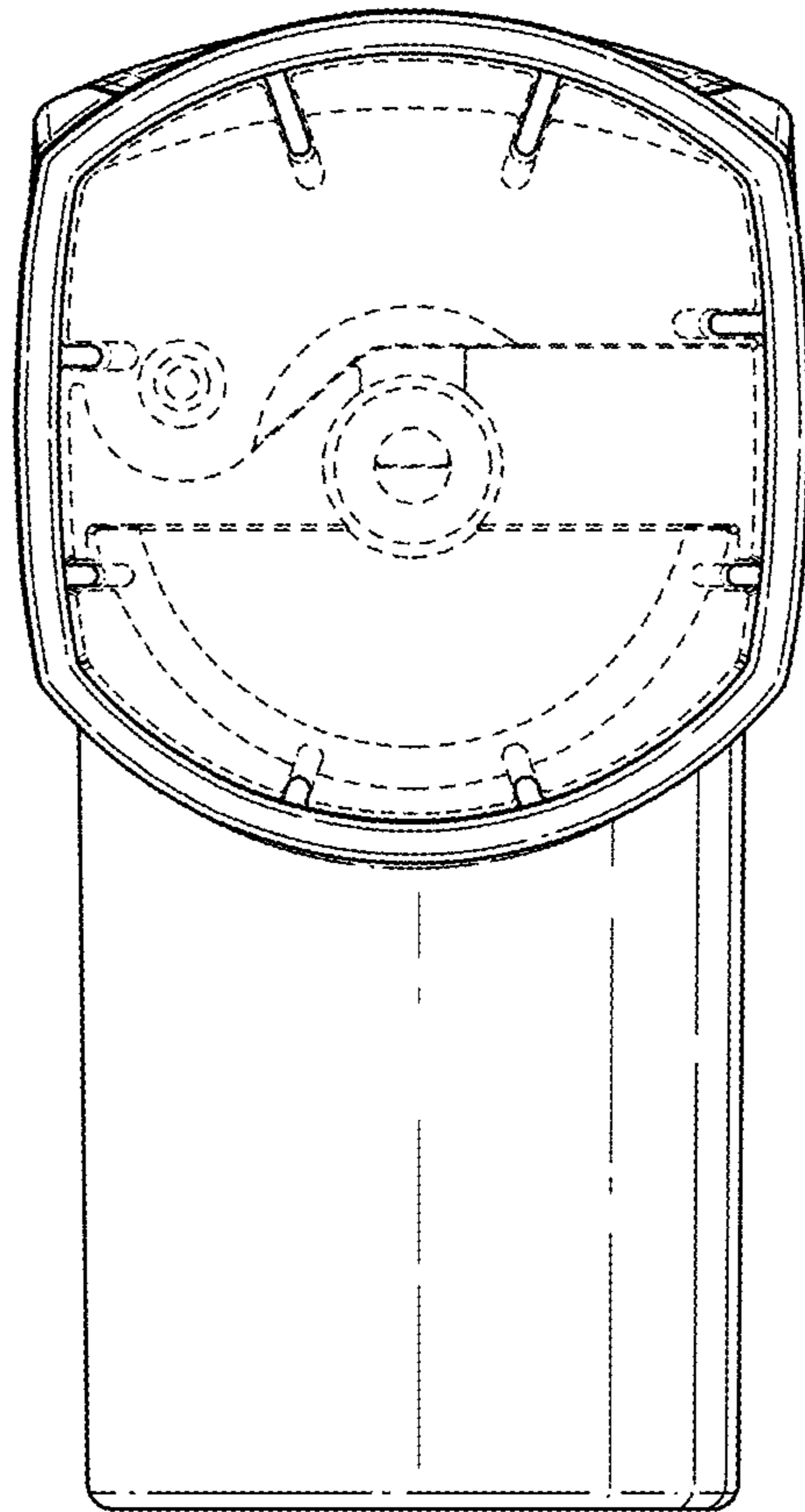


FIG. 6

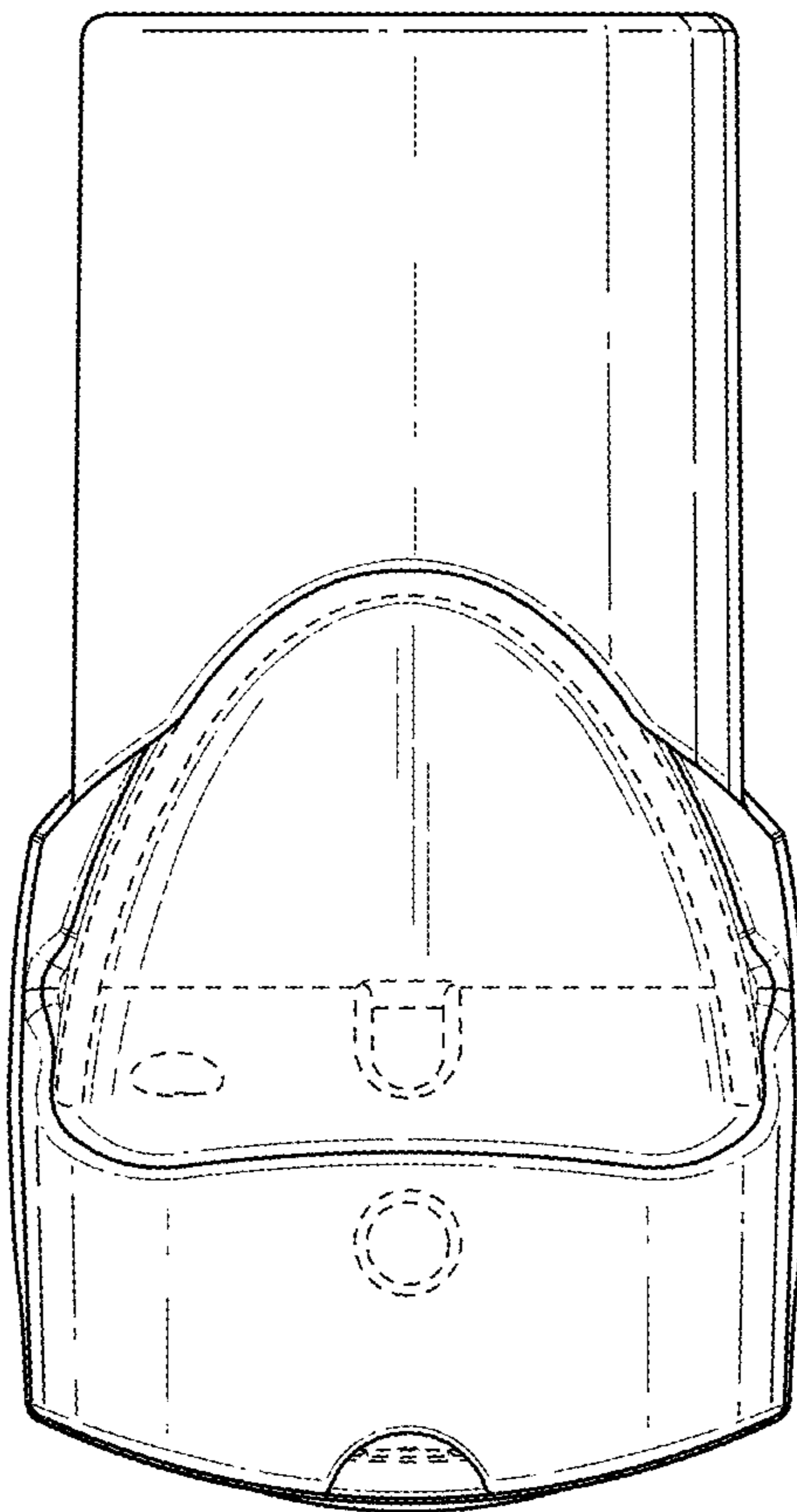


FIG.7