

US00D772393S

(12) **United States Design Patent** (10) **Patent No.:** **US D772,393 S**  
**Wang** (45) **Date of Patent:** **\*\* Nov. 22, 2016**

(54) **CEILING FAN BLADE SET**  
(71) Applicant: **YOUNGO LIMITED**, Hong Kong (CN)  
(72) Inventor: **Cliff Wang**, Taichung (TW)  
(73) Assignee: **YOUNGO LIMITED**, Hong Kong (CN)  
(\*\*) Term: **15 Years**  
(21) Appl. No.: **29/539,304**  
(22) Filed: **Sep. 11, 2015**  
(51) **LOC (10) Cl.** ..... **23-04**  
(52) **U.S. Cl.**  
USPC ..... **D23/413; D23/377**  
(58) **Field of Classification Search**  
USPC ..... D23/370-387, 411-414, 365, 355, 342, D23/332, 328, 337, 335, 314, 393; 415/60, 415/66, 68, 208.1, 213.1, 214.1, 209.3; 310/257; 361/695; 126/299 D, 299 R; D26/59, 89; D12/214  
CPC ..... F01D 9/042; F04D 25/08; F04D 29/70; F04D 29/34; F04D 19/00; F24F 7/007; F24F 13/082; F24F 7/065; F24F 13/078  
See application file for complete search history.

D678,997 S \* 3/2013 Gajewski ..... D23/372  
D741,468 S \* 10/2015 Ertze ..... D23/377  
D745,657 S \* 12/2015 Wang ..... D23/411  
D755,948 S \* 5/2016 Ertze ..... D23/413  
2012/0177496 A1\* 7/2012 Gajewski ..... F04D 25/088  
416/204 R

\* cited by examiner

*Primary Examiner* — Susan Bennett Hattan  
*Assistant Examiner* — Janice Hallmark  
(74) *Attorney, Agent, or Firm* — Pai Patent & Trademark Law Firm; Chao-Chang David Pai

(56) **References Cited**

U.S. PATENT DOCUMENTS

D121,201 S \* 6/1940 Fischer ..... 416/234  
D475,775 S \* 6/2003 Da Costa ..... D23/377

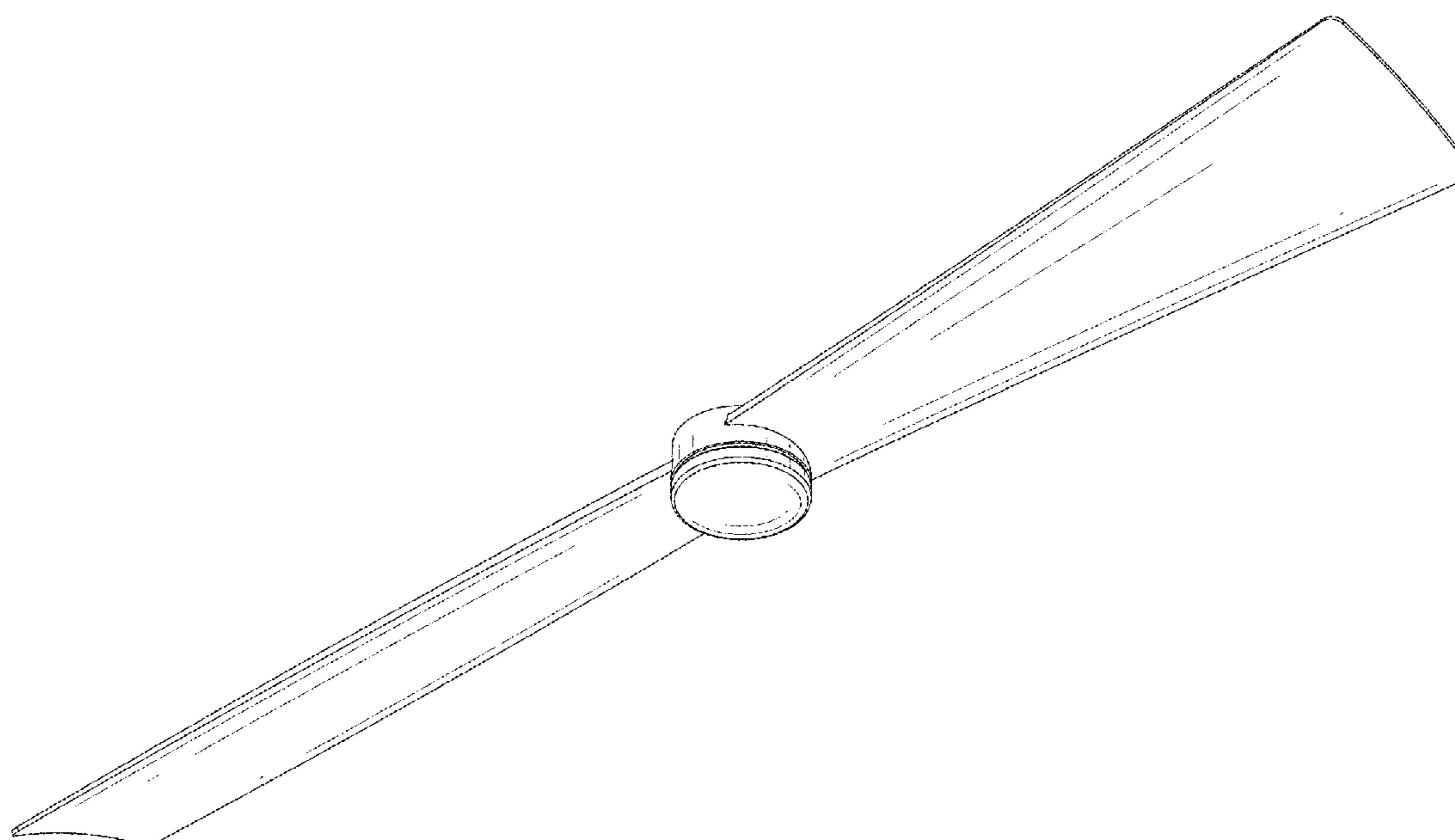
(57) **CLAIM**

The ornamental design for a ceiling fan blade set, as shown and described.

**DESCRIPTION**

FIG. 1 is a front perspective view of a ceiling fan blade set showing my new design;  
FIG. 2 is a front elevational view thereof;  
FIG. 3 is a rear elevational view thereof;  
FIG. 4 is a left side elevational view thereof;  
FIG. 5 is a right side elevational view thereof;  
FIG. 6 is a top plan view thereof;  
FIG. 7 is a bottom plan view thereof; and,  
FIG. 8 is another front perspective view thereof.  
The broken lines are for the purpose of illustrating environmental structure and form no part of the claimed design.

**1 Claim, 5 Drawing Sheets**



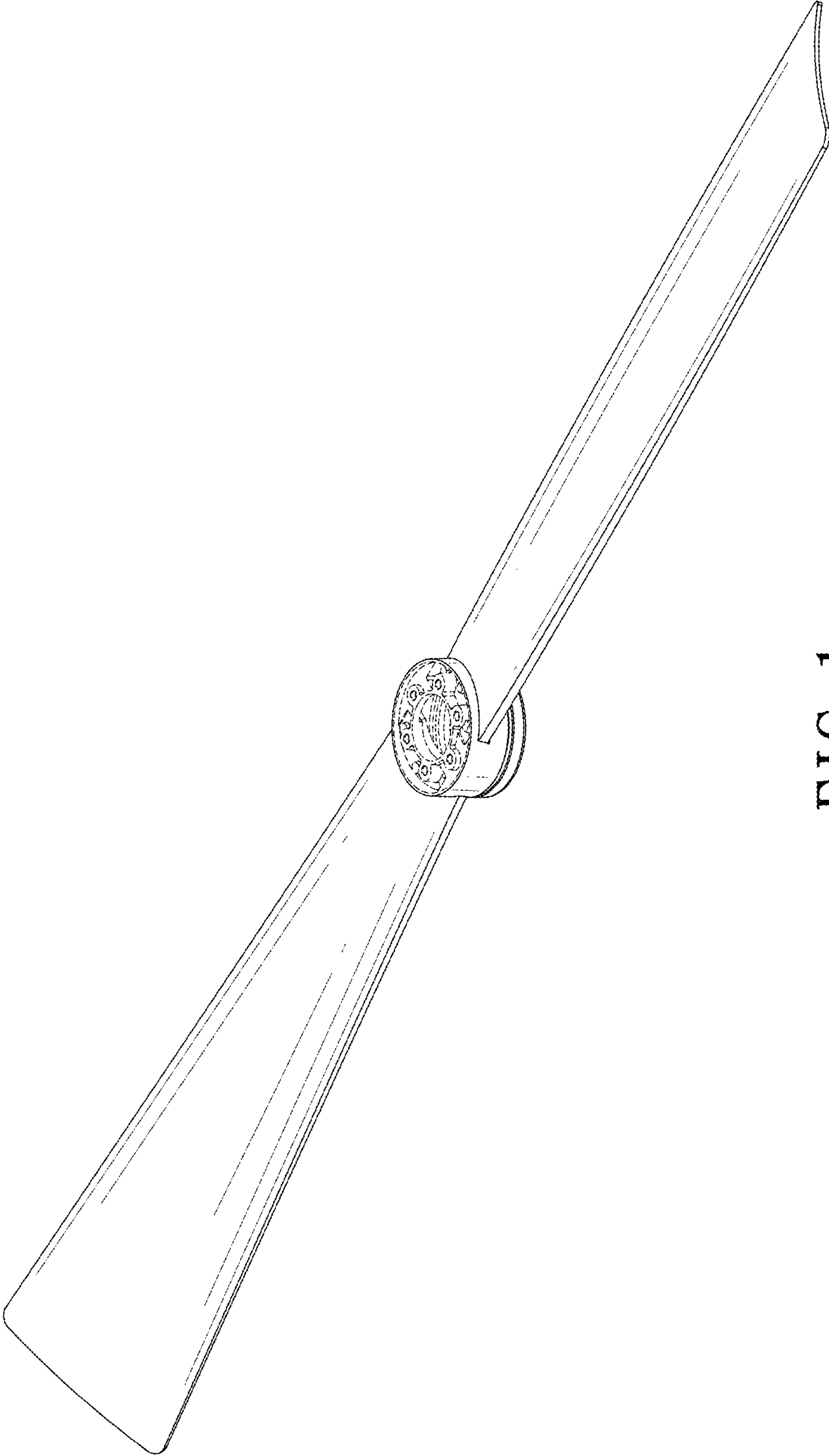


FIG. 1

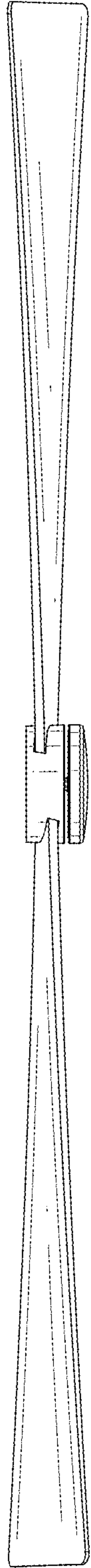


FIG. 2

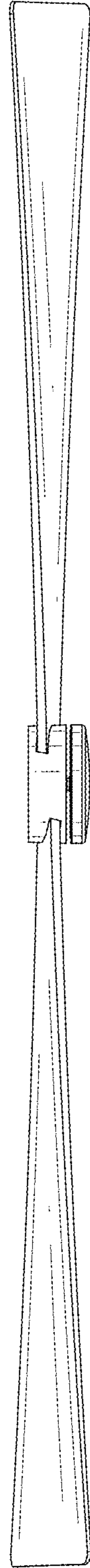


FIG. 3

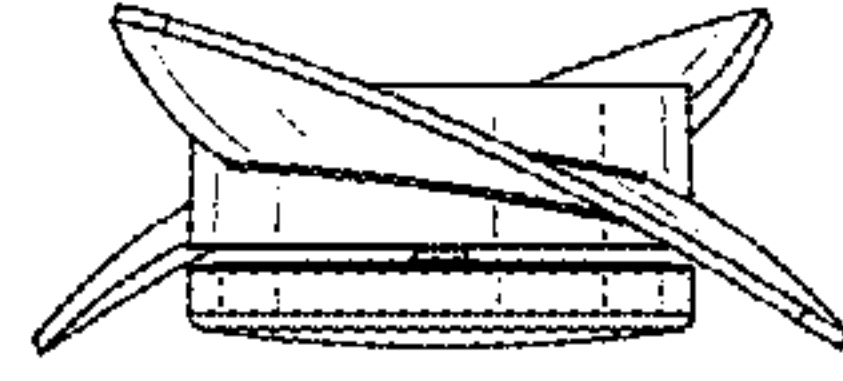


FIG. 4

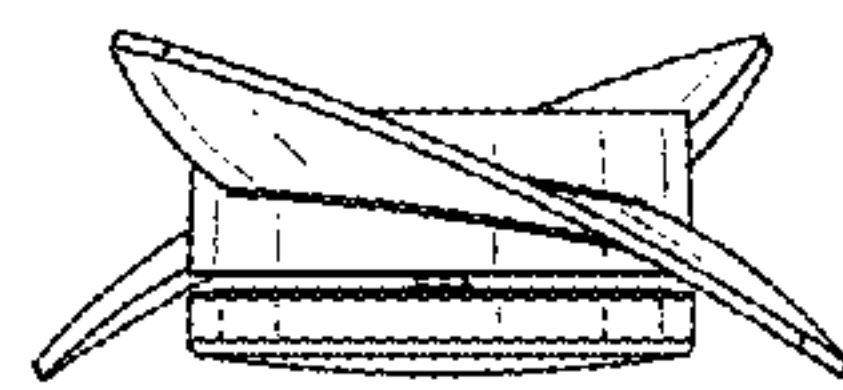


FIG. 5

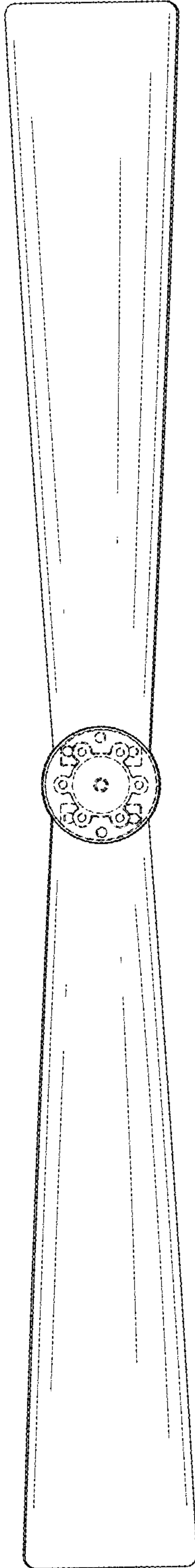


FIG. 6

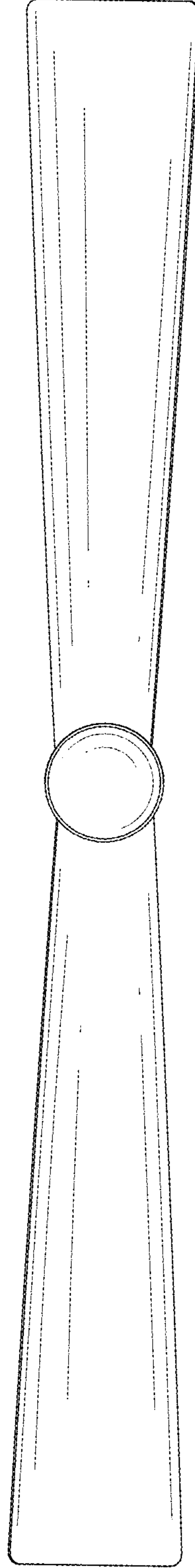


FIG. 7

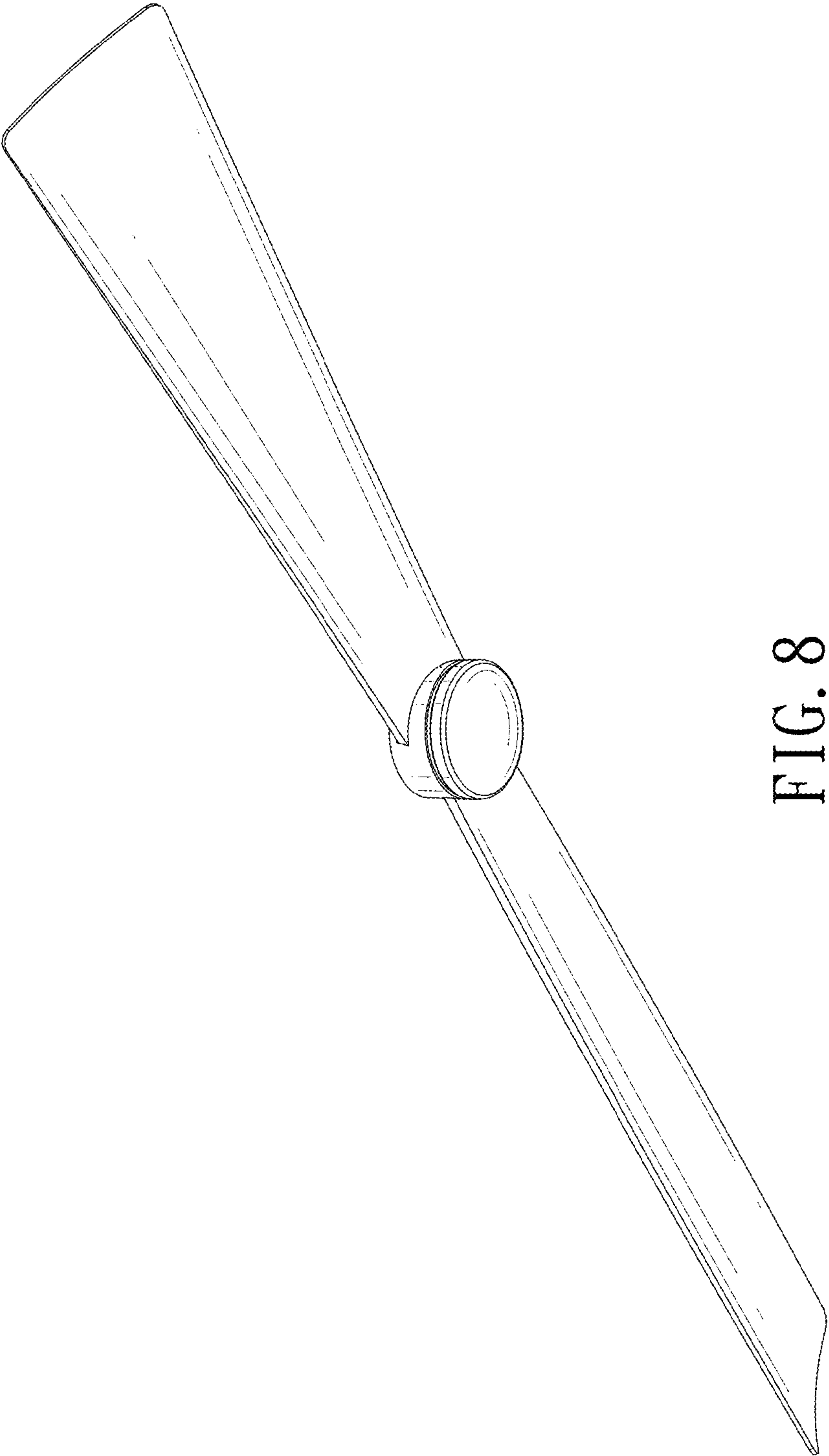


FIG. 8