



US00D772392S

(12) **United States Design Patent**
Gebert et al.

(10) **Patent No.:** **US D772,392 S**

(45) **Date of Patent:** **** Nov. 22, 2016**

(54) **FANWHEEL**

(71) Applicant: **ebm-papst Mulfingen GmbH & Co. KG**, Mulfingen (DE)

(72) Inventors: **Daniel Gebert**, Öhringen (DE); **Jens Mueller**, Kuenzelsau (DE); **Alexander Konzal**, Igersheim (DE); **Michael Strehle**, Ingelfingen (DE)

(73) Assignee: **ebm-papst Mulfingen GmbH & Co. KG**, Mulfingen (DE)

(**) Term: **14 Years**

(21) Appl. No.: **29/517,213**

(22) Filed: **Feb. 11, 2015**

(51) **LOC (10) Cl.** **23-04**

(52) **U.S. Cl.**
USPC **D23/370; D23/414**

(58) **Field of Classification Search**
USPC D23/370–379, 381–385, 388, 212, 213, D23/223, 325, 229, 380, 324, 330, 332, 335, D23/353–369, 499; 416/5; 392/364, 365; 415/204, 205
CPC F24F 2221/14; F24F 2221/34; F24F 7/00; F24F 7/06; F24F 7/065; F24F 7/08; F24F 7/10; F24F 2007/001; F24F 2007/002; F24F 1/0022
See application file for complete search history.

(56) **References Cited**

U.S. PATENT DOCUMENTS

D410,707 S * 6/1999 Krog D21/488
D513,799 S * 1/2006 Li D23/411

D584,392 S * 1/2009 Noda D23/370
D594,955 S * 6/2009 Noda D23/370
D625,402 S * 10/2010 Yen D23/370
D643,916 S * 8/2011 Bohl D23/370
D644,315 S * 8/2011 Bohl D23/370
D674,078 S * 1/2013 Marin D23/379
D701,597 S * 3/2014 DeFilippis D23/370
D703,302 S * 4/2014 Ruck D23/370
D703,303 S * 4/2014 Ruck D23/370
8,807,949 B2 * 8/2014 Hammel F04D 29/662
416/144
2003/0198556 A1 * 10/2003 Kim B29C 45/33
416/186 R

* cited by examiner

Primary Examiner — Susan Bennett Hattan

Assistant Examiner — Marie Fast Horse

(74) *Attorney, Agent, or Firm* — Harness, Dickey & Pierce, P.L.C.

(57) **CLAIM**

The ornamental design for a fanwheel, as shown and described.

DESCRIPTION

FIG. 1 is a perspective view from the top side of the fanwheel;
FIG. 2 is a bottom view of the fanwheel;
FIG. 3 is a side view of the fanwheel;
FIG. 4 is a top view of the fanwheel; and,
FIG. 5 is a side view in cross-section of the fanwheel.

1 Claim, 5 Drawing Sheets

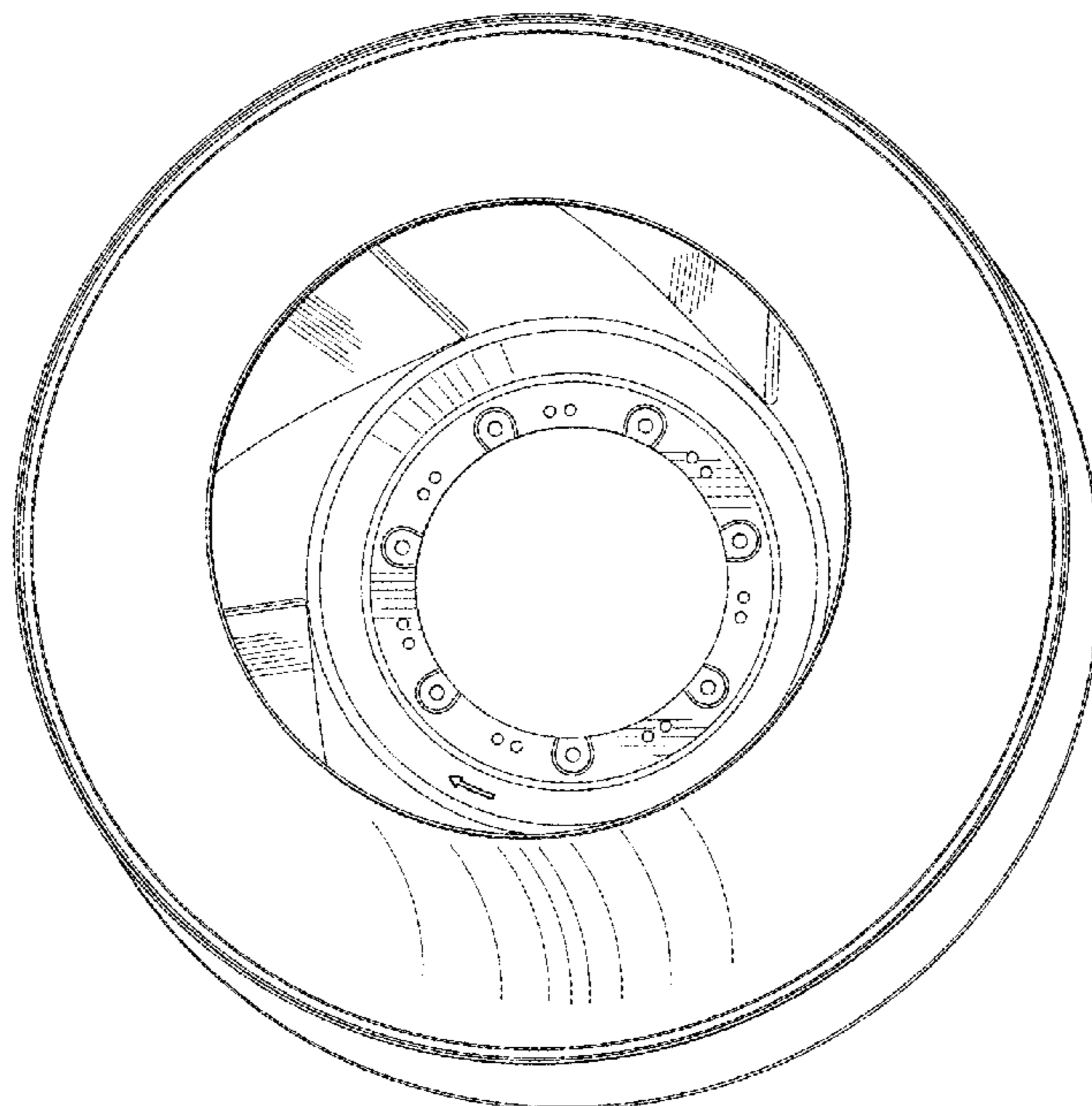


FIG-1

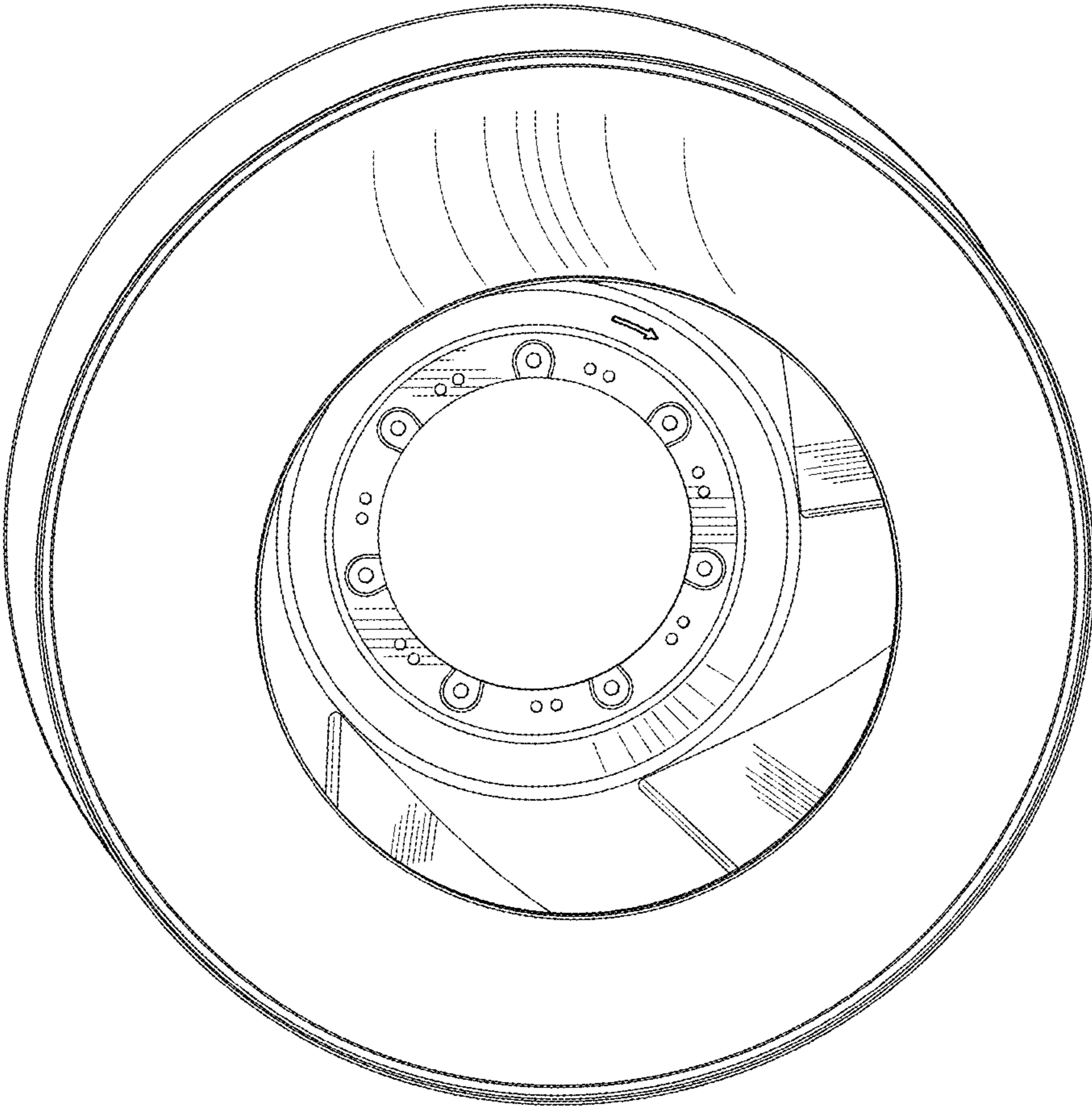
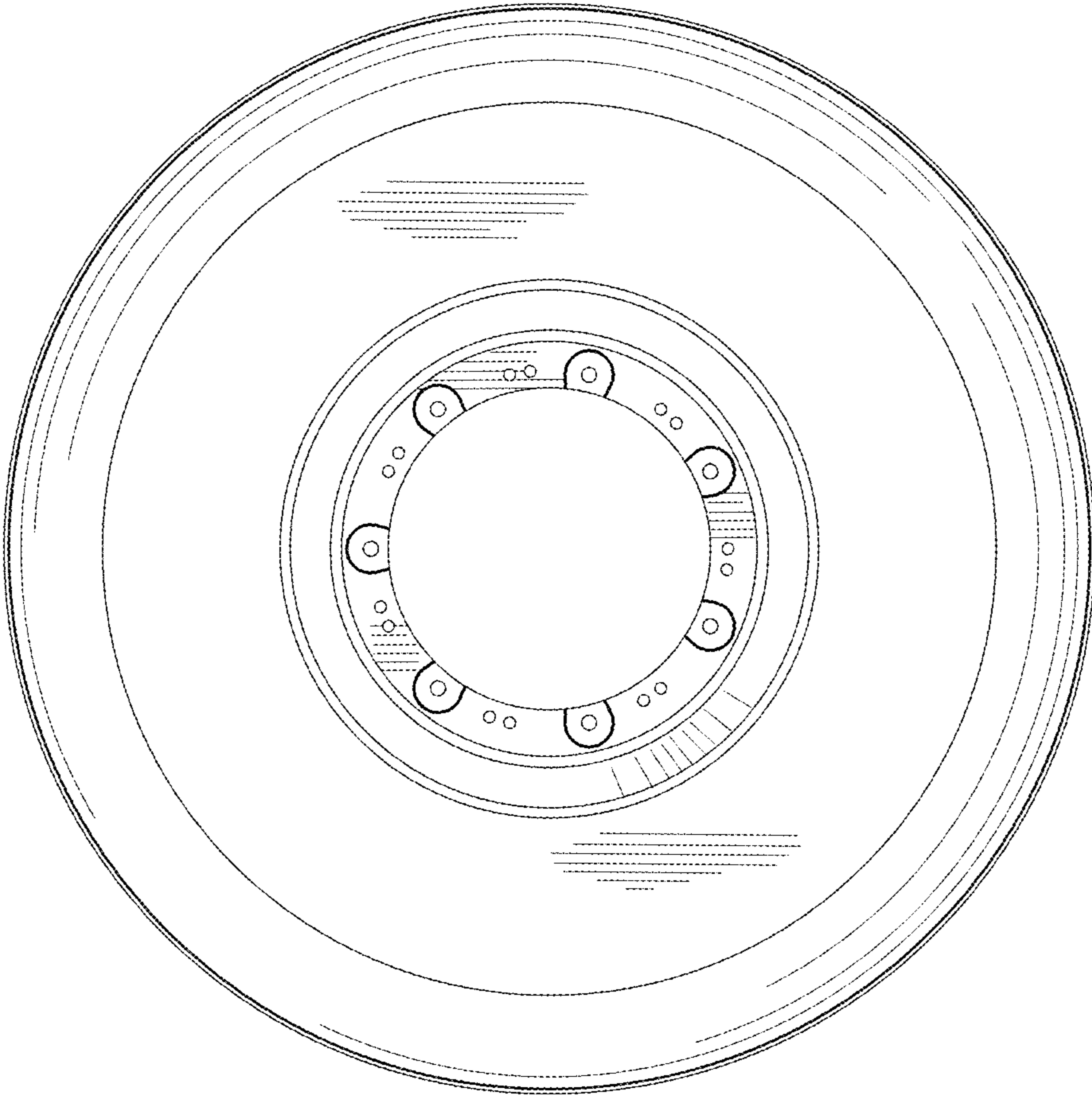


FIG - 2



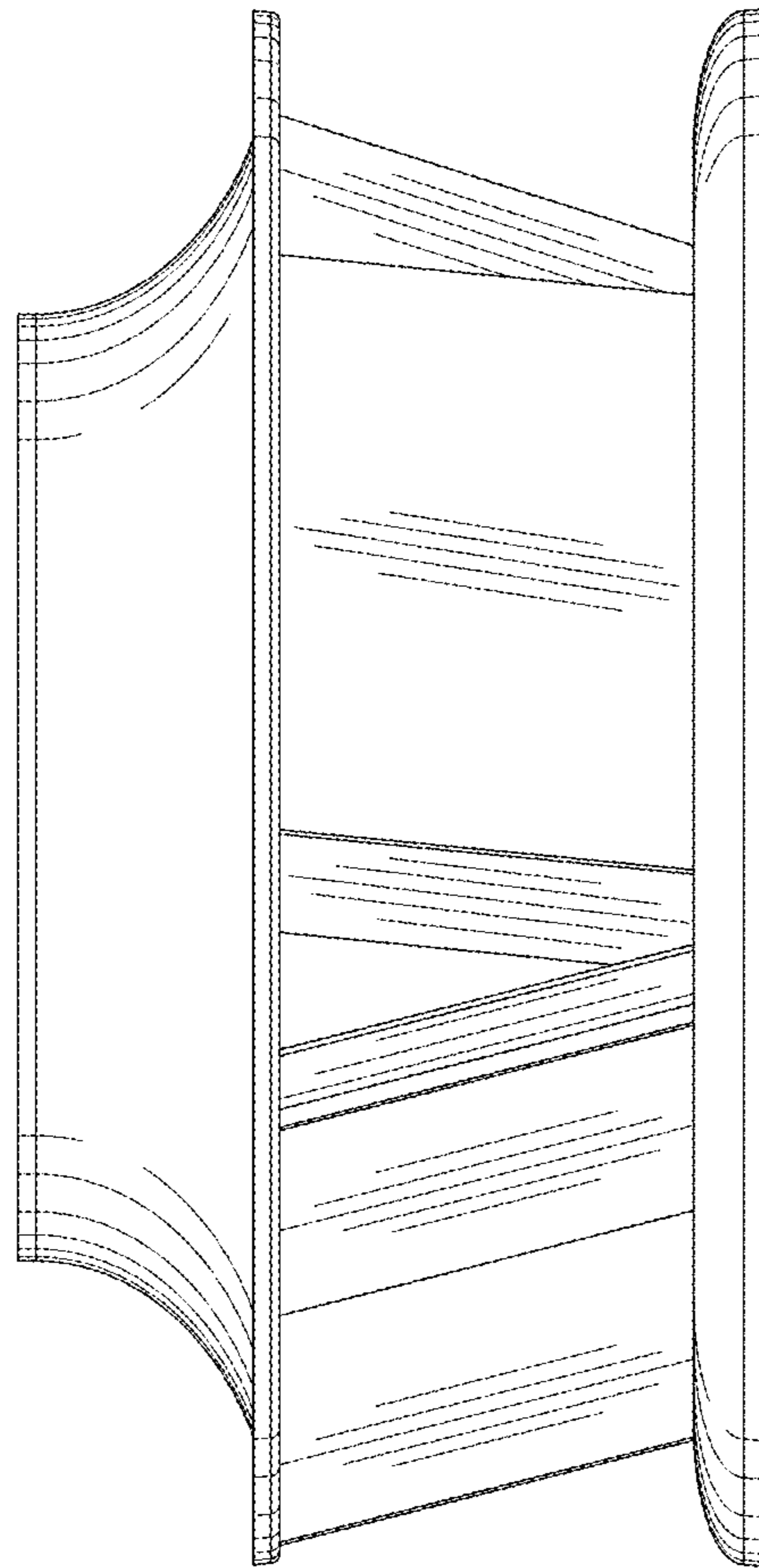
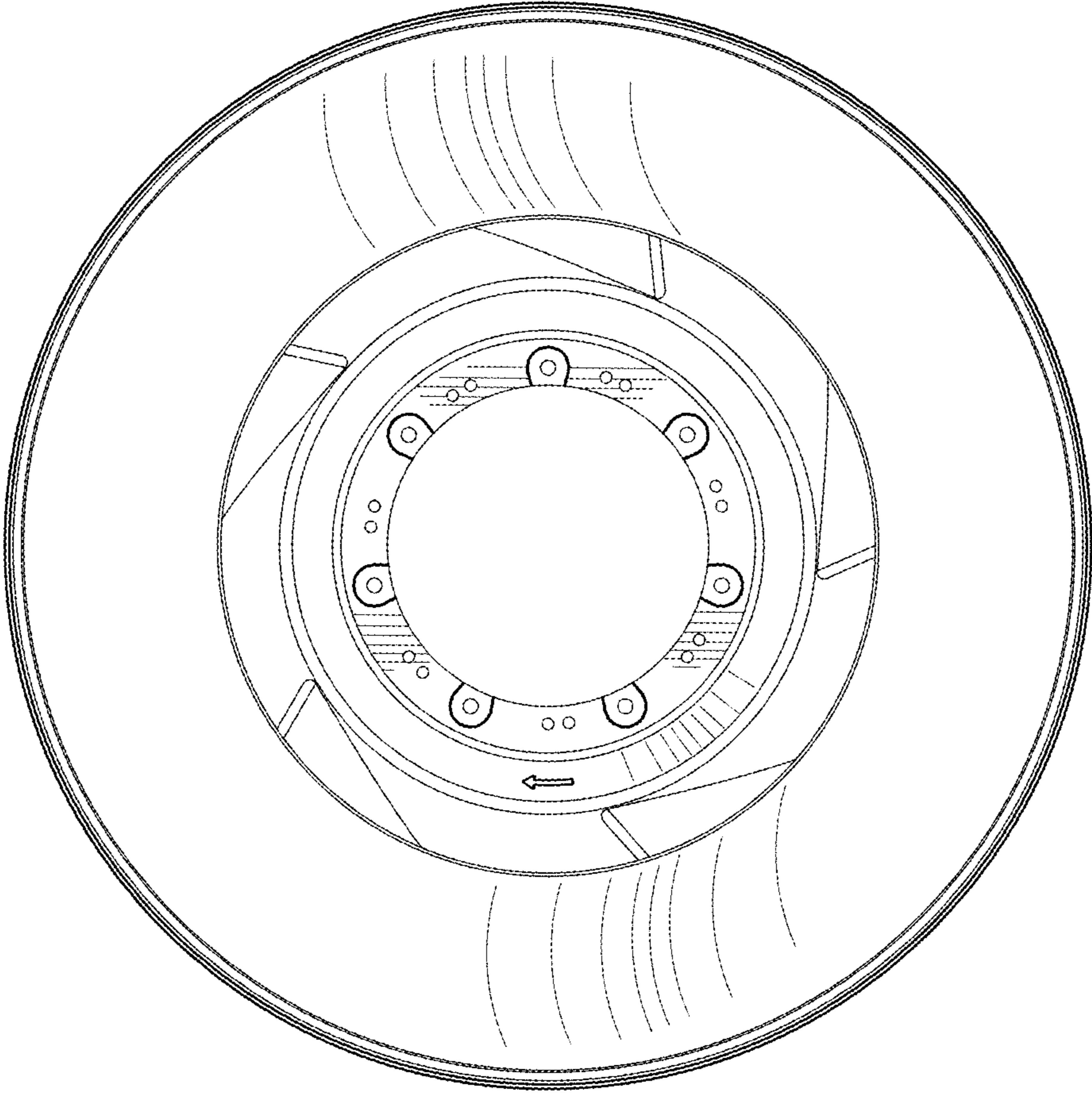


FIG - 3

FIG - 4



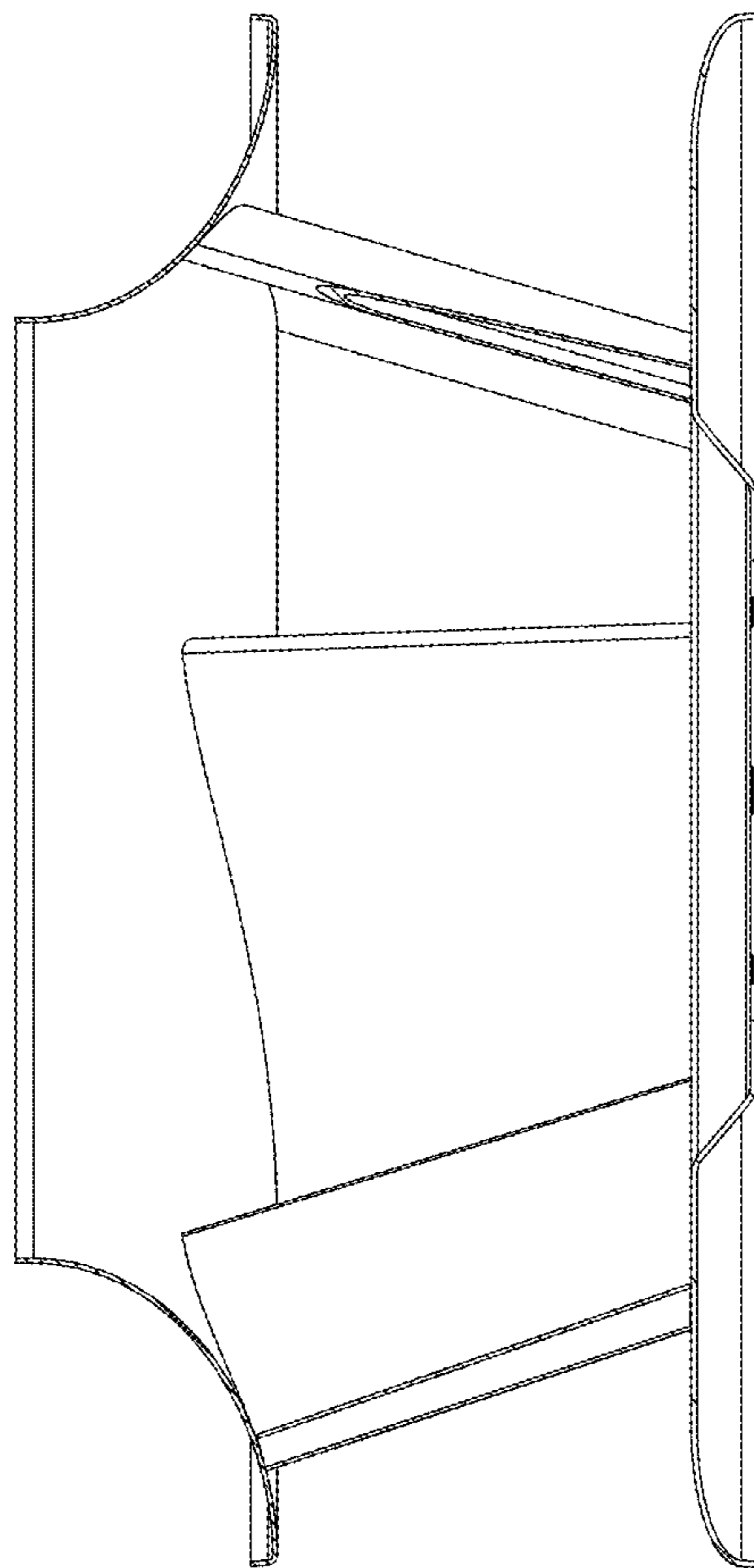


FIG - 5