



US00D772388S

(12) **United States Design Patent** (10) **Patent No.:** **US D772,388 S**
Hamilton et al. (45) **Date of Patent:** **** Nov. 22, 2016**

- (54) **HUMIDIFIER HEATERBASE**
- (71) Applicant: **Fisher & Paykel Healthcare Limited**,
Auckland (NZ)
- (72) Inventors: **Mark Samuel Hamilton**, Auckland
(NZ); **Paul Fleming Buckley**, Auckland
(NZ); **Stephen David Evans**, Auckland
(GB); **Bruce Gordon Holyoake**,
Auckland (NZ); **Jason Allan Klenner**,
Auckland (NZ)
- (73) Assignee: **Fisher & Paykel Healthcare Limited**,
Auckland (NZ)
- (**) Term: **14 Years**
- (21) Appl. No.: **29/521,116**
- (22) Filed: **Mar. 19, 2015**
- (51) **LOC (10) Cl.** **23-04**
- (52) **U.S. Cl.**
USPC **D23/356**
- (58) **Field of Classification Search**
USPC D23/355, 356, 359, 360, 364, 366, 368,
D23/386, 332; D15/79; 55/356, 473, 504;
422/120, 122; 96/97
CPC A61L 9/16; A61L 9/22; B01D 47/00;
B01D 47/027; B01D 2221/02; B01D
2259/4508; B03C 3/155; F24F 3/16; F24F
13/20; F24F 13/28; F24F 2001/0096; F24F
3/1405; F24F 3/1603; F24F 13/222
See application file for complete search history.

- D425,976 S * 5/2000 Stutzer D23/356
- D430,656 S * 9/2000 Farrage D23/356
- D542,900 S * 5/2007 Snow D23/356
- D559,371 S * 1/2008 Snow D23/356
- D580,539 S * 11/2008 Rittri D23/364
- 2015/0027204 A1 1/2015 Stoks et al.
- 2015/0096560 A1 4/2015 Klenner et al.

* cited by examiner

Primary Examiner — Ralf Seifert

(74) *Attorney, Agent, or Firm* — Knobbe Martens Olson
& Bear LLP

(57) **CLAIM**

The ornamental design for a humidifier heaterbase, as shown
and described.

DESCRIPTION

FIG. 1 is a top, front and side perspective view of a humidifier heaterbase embodying our new design.

FIG. 2 is a bottom, rear and side perspective view thereof.

FIG. 3 is a front view thereof.

FIG. 4 is a rear view thereof.

FIG. 5 is a first side view thereof.

FIG. 6 is a second side view thereof.

FIG. 7 is a top view thereof; and,

FIG. 8 is a bottom view thereof.

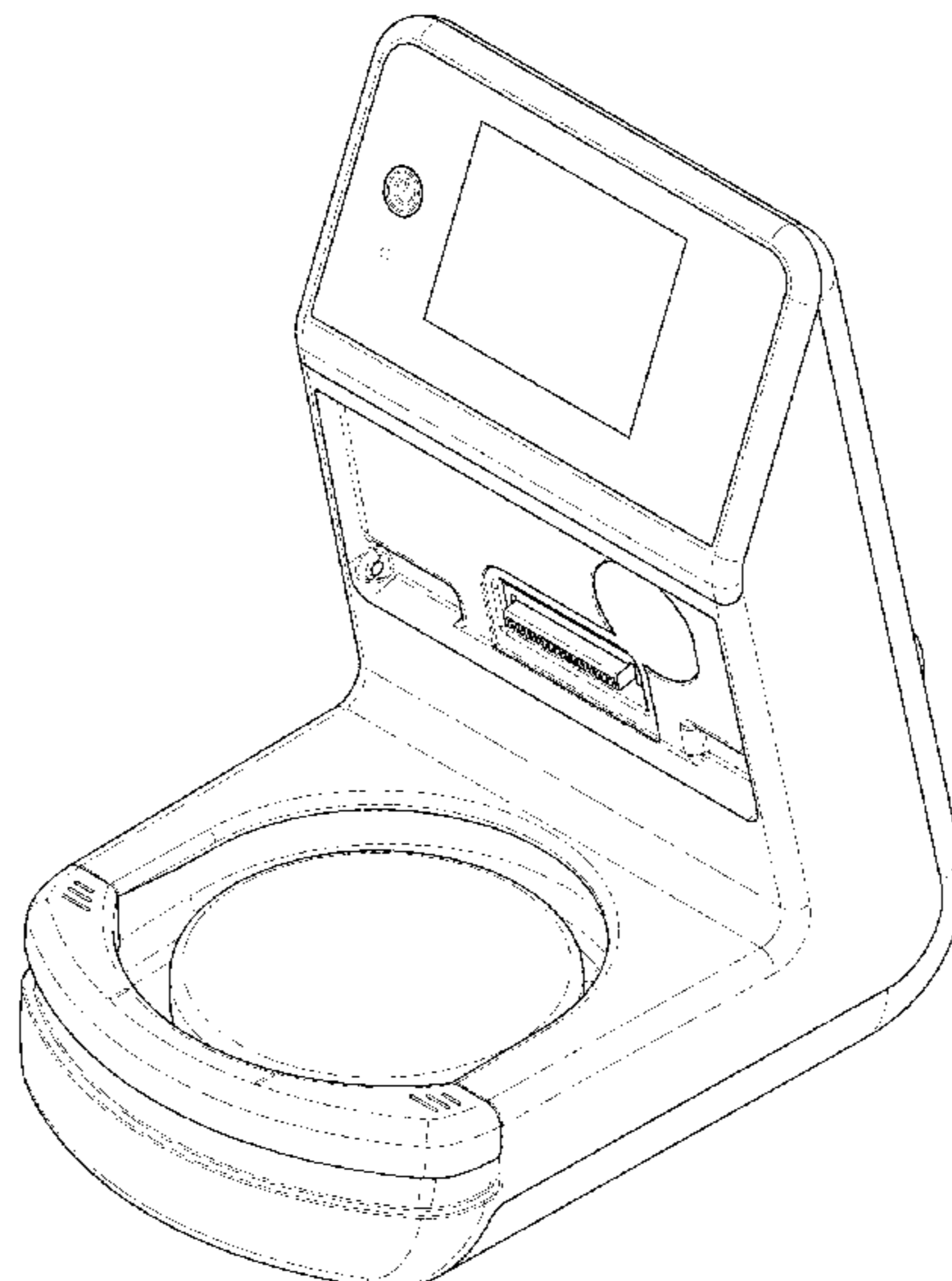
Broken lines are used to illustrate features of the humidifier heaterbase which form no part of the claimed design.

1 Claim, 8 Drawing Sheets

(56) **References Cited**

U.S. PATENT DOCUMENTS

- D98,664 S * 2/1936 Edelman D23/356
- D208,514 S * 9/1967 Hartwell D23/356
- D337,817 S * 7/1993 Brock D23/356
- D421,648 S * 3/2000 Jane D23/356



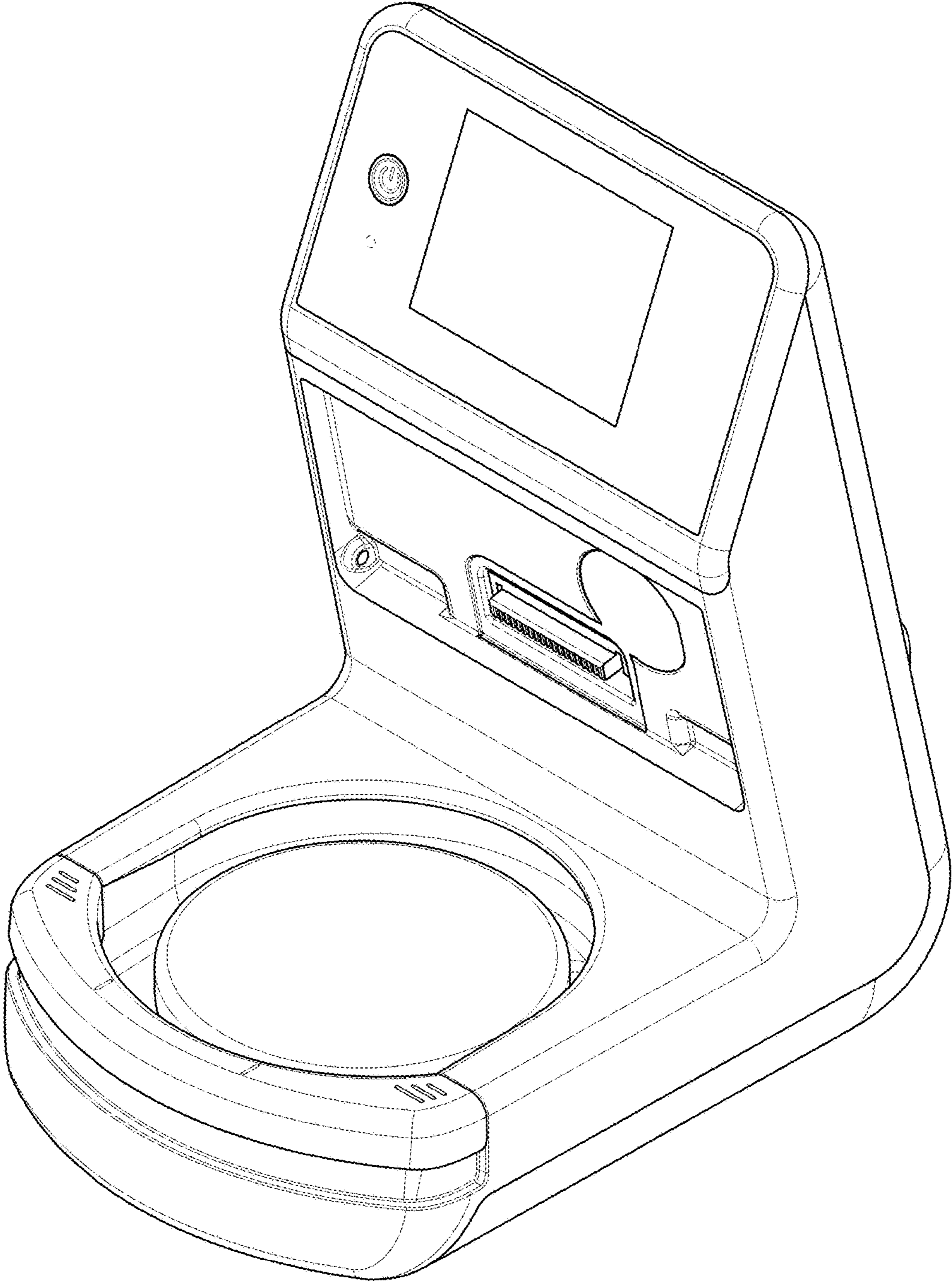


FIG. 1

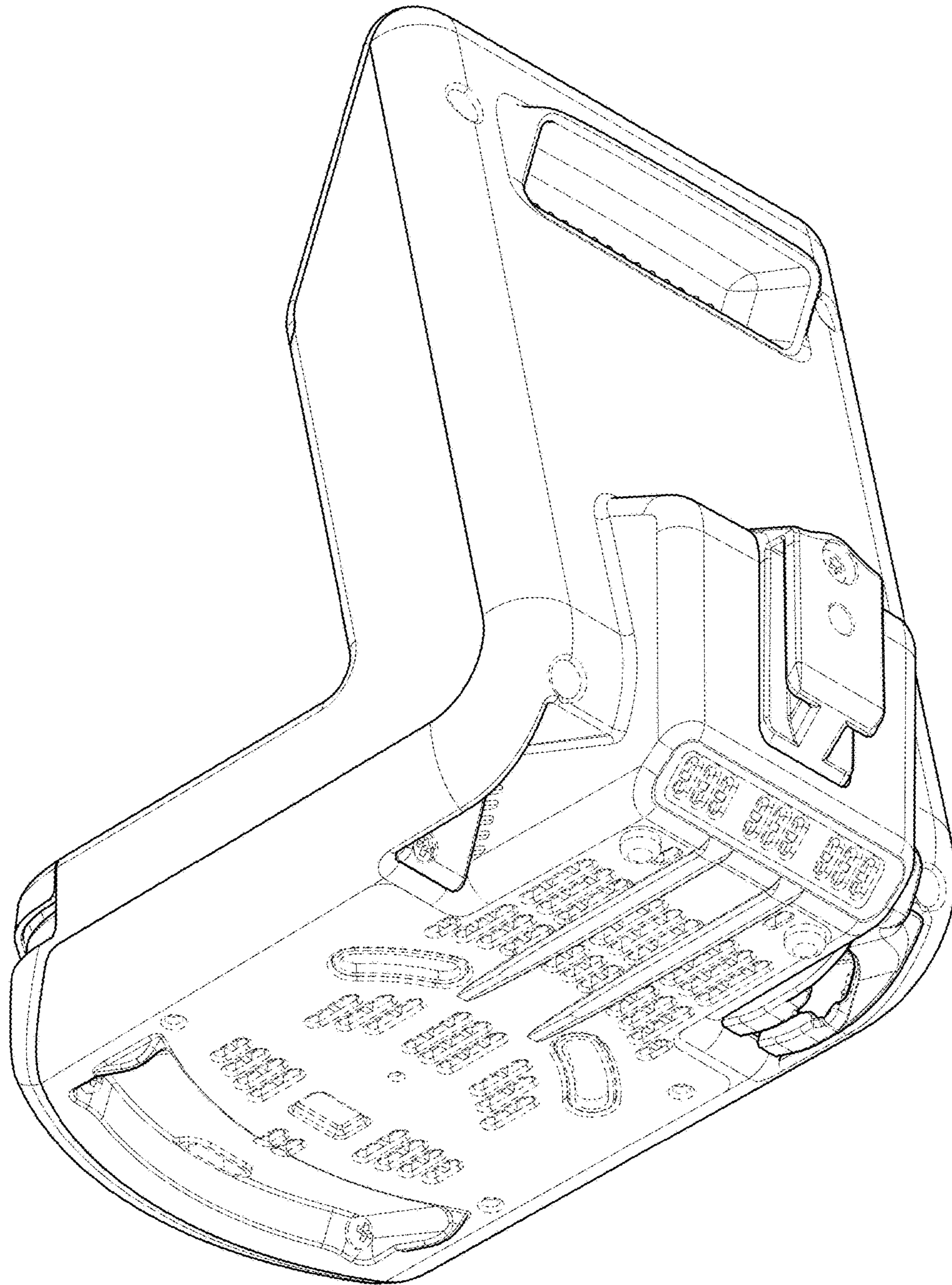


FIG. 2

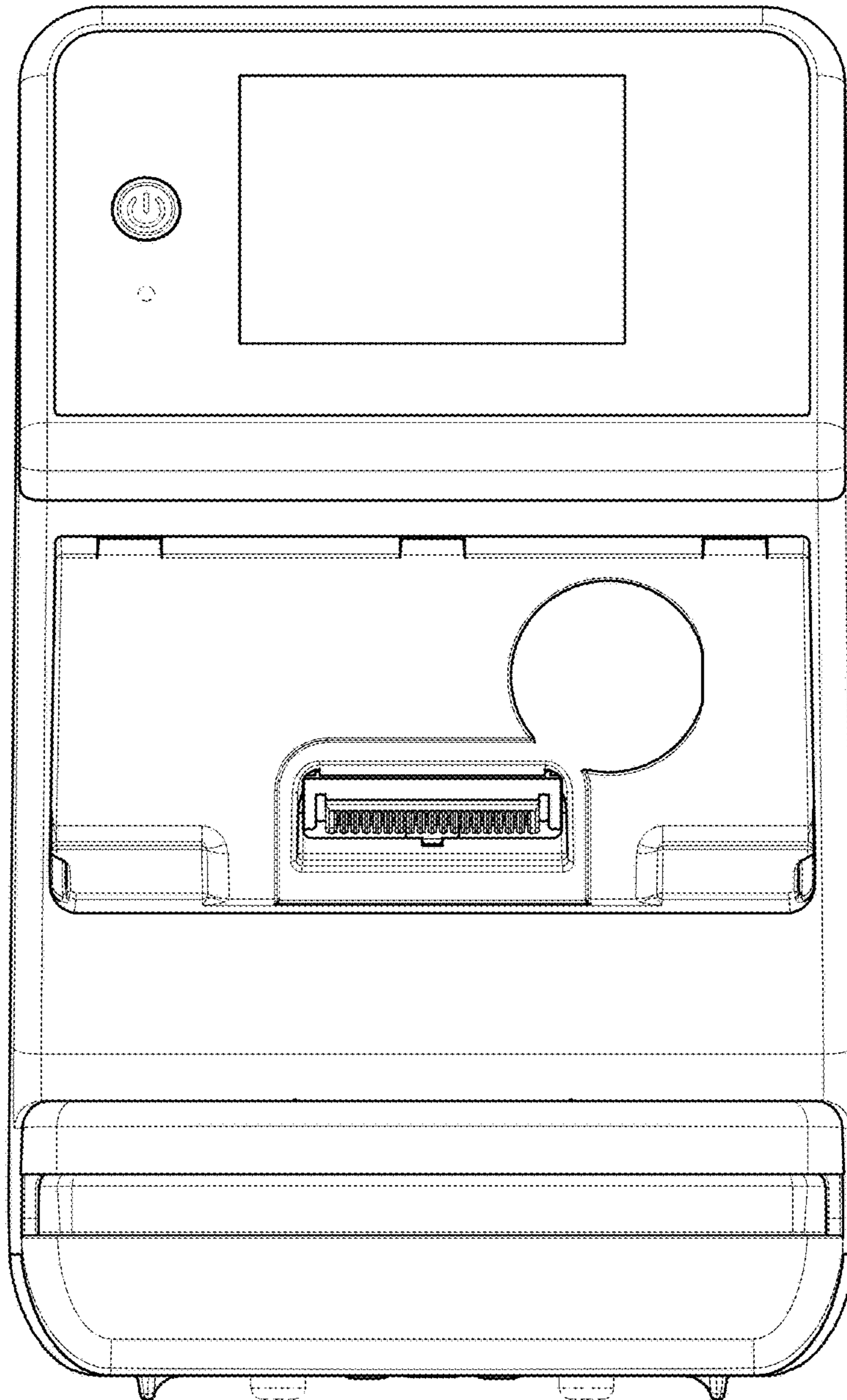


FIG. 3

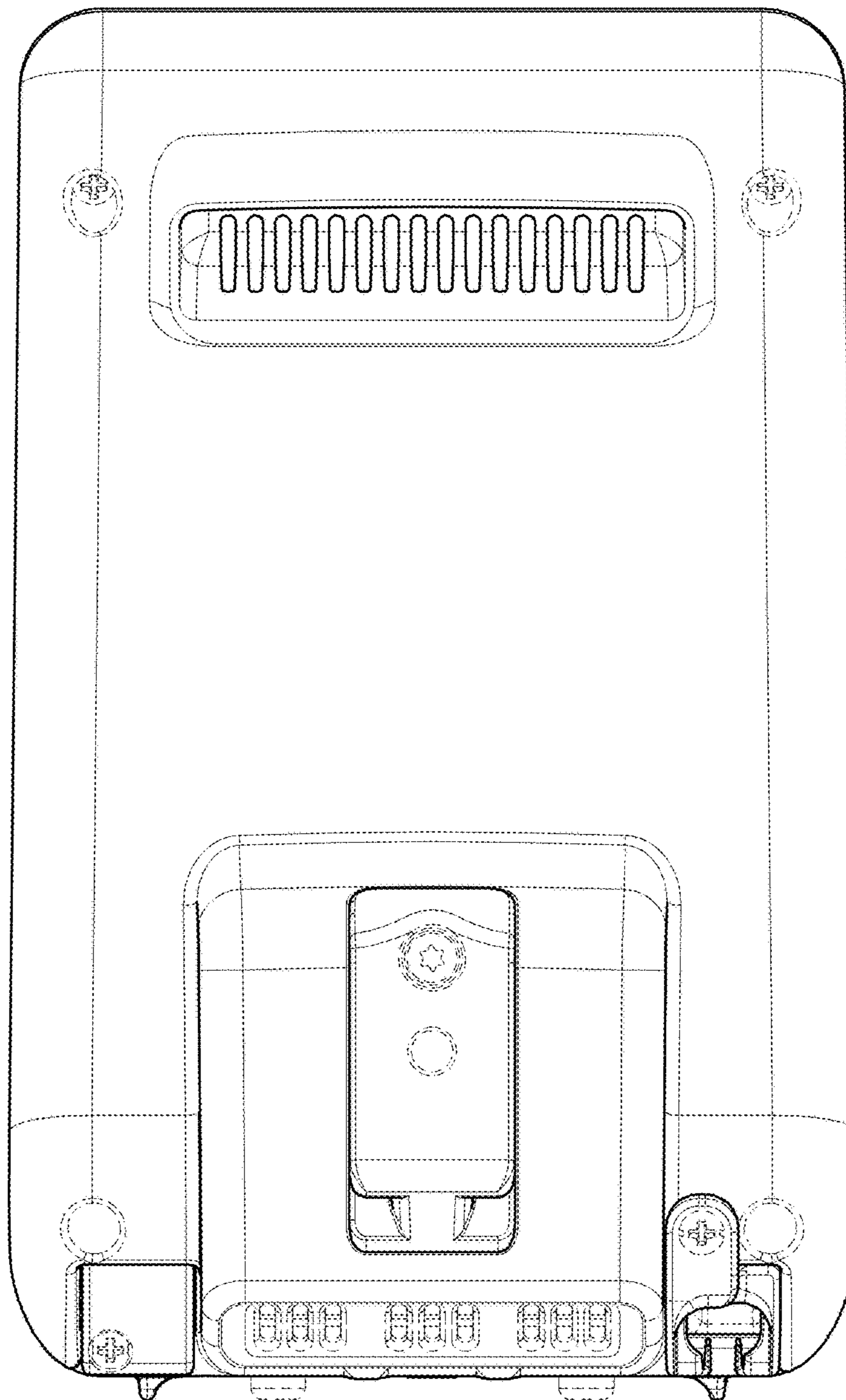


FIG. 4

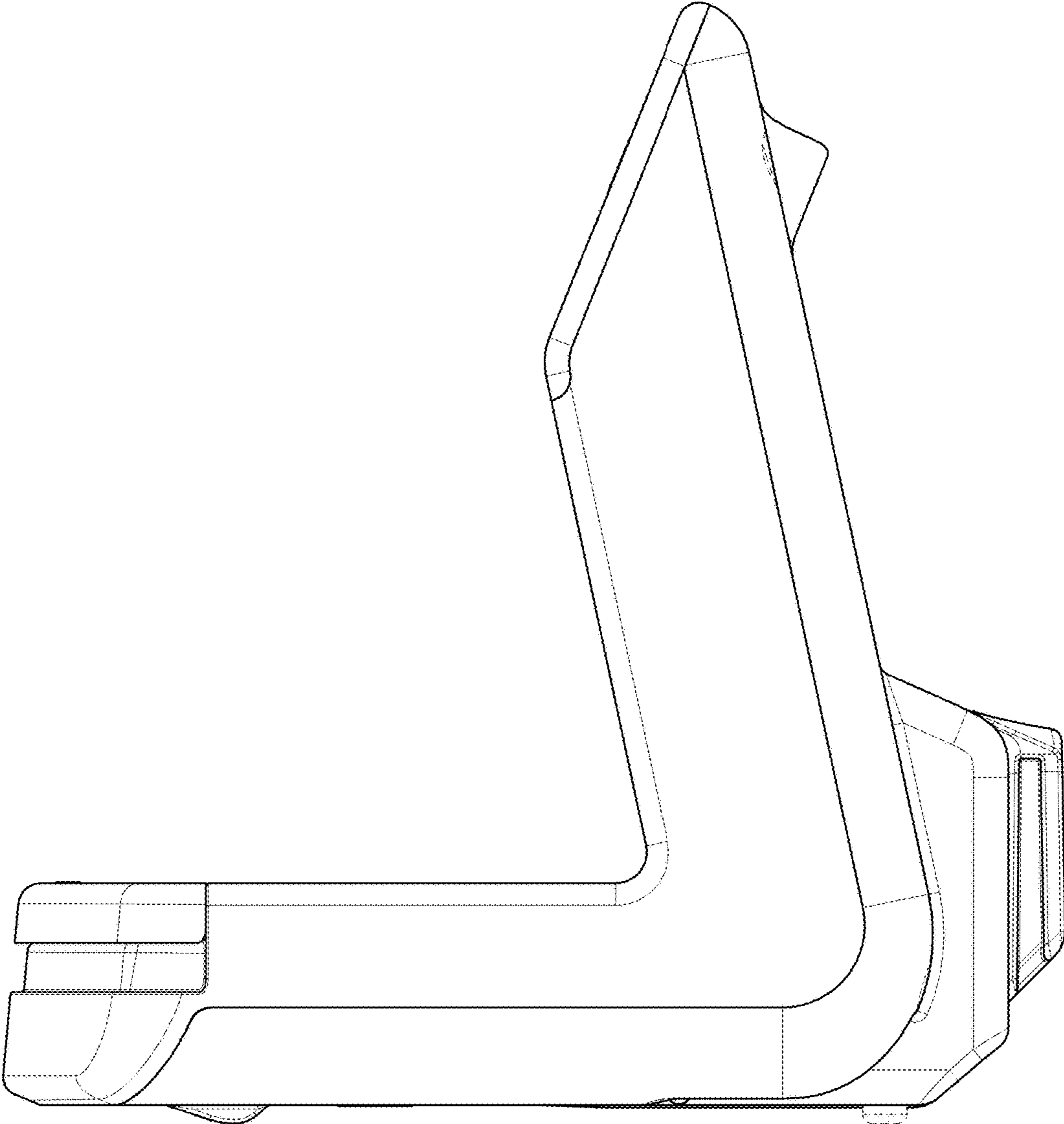


FIG. 5

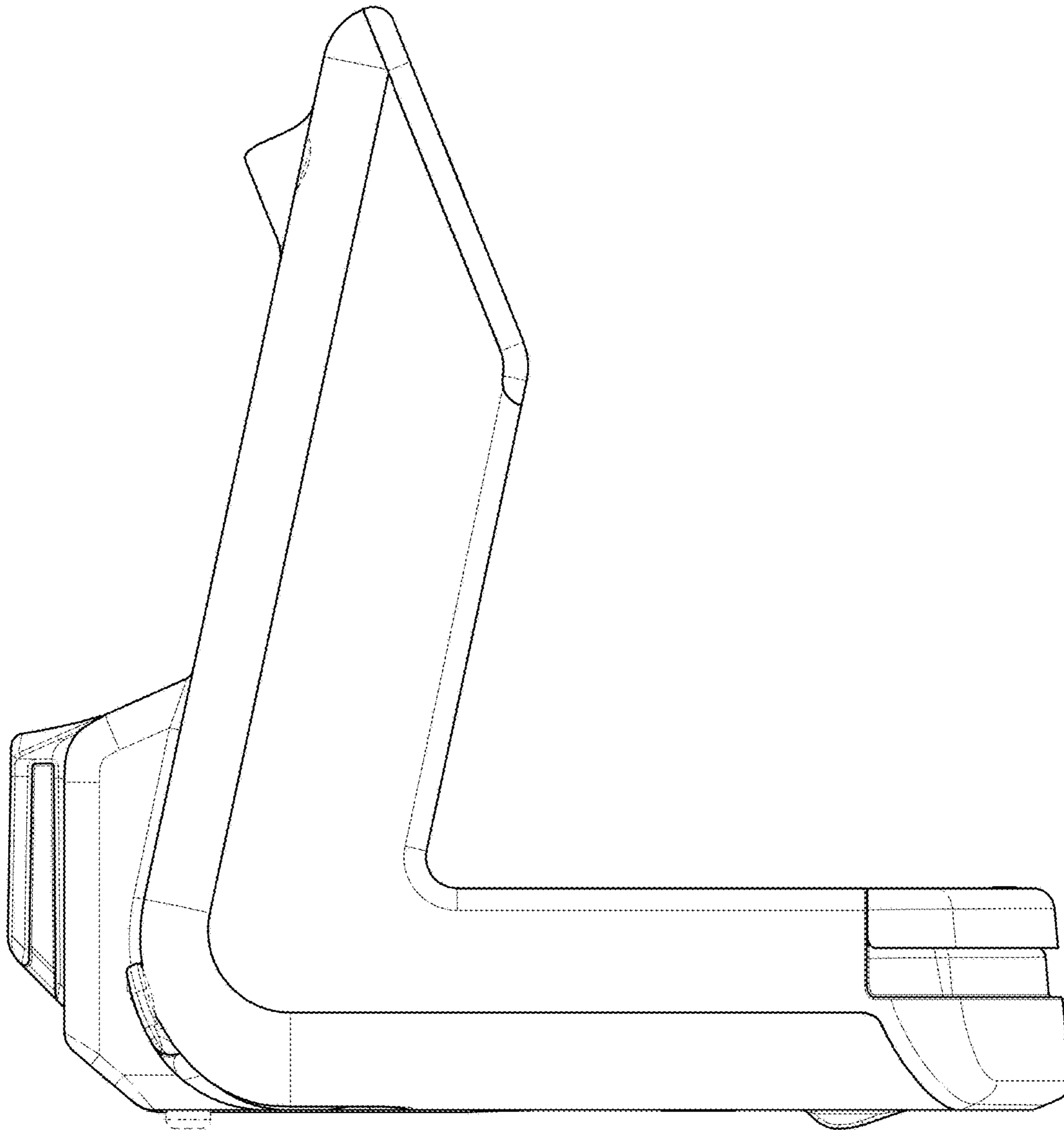


FIG. 6

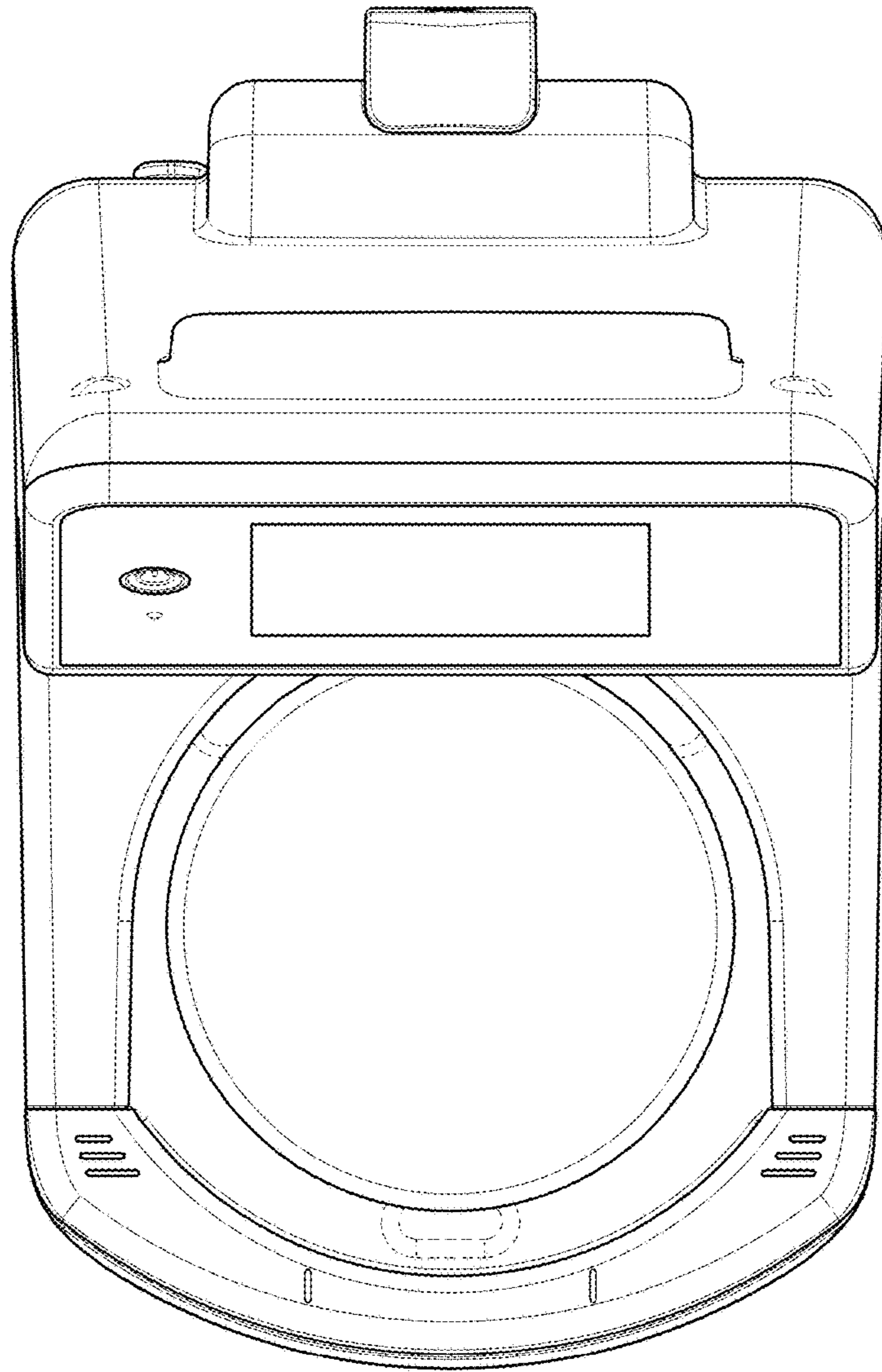


FIG. 7

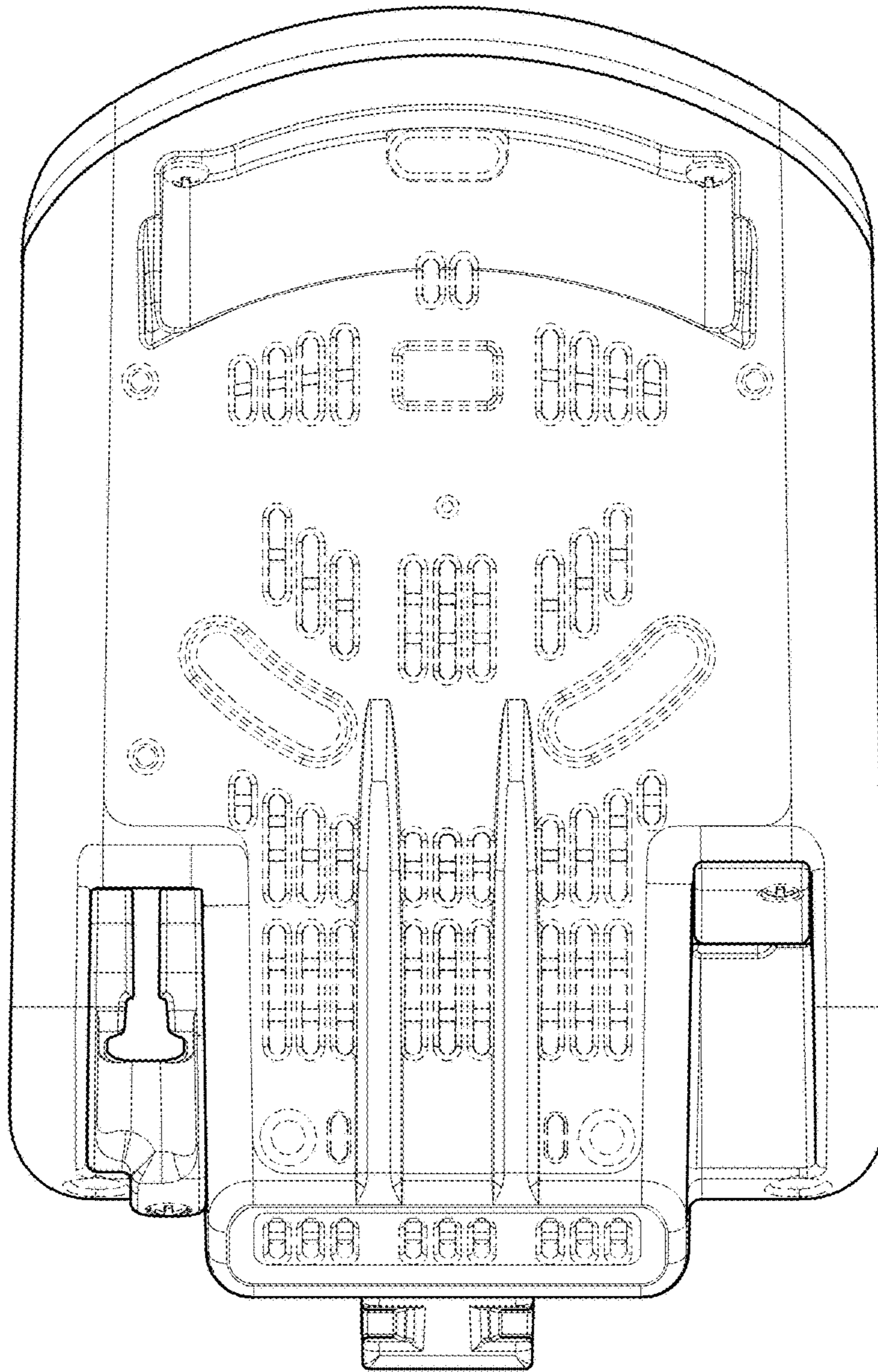


FIG. 8