



US00D772384S

(12) **United States Design Patent** (10) **Patent No.:** **US D772,384 S**  
**Schulze** (45) **Date of Patent:** **\*\* Nov. 22, 2016**

(54) **PLUMBING PIPE**  
(71) Applicant: **Gebent International AG**, Jona (CH)  
(72) Inventor: **Michael Schulze**, Temecula, CA (US)  
(73) Assignee: **Geberit International AG**, Jona (CH)  
(\*\*) Term: **14 Years**  
(21) Appl. No.: **29/520,348**  
(22) Filed: **Mar. 13, 2015**  
(51) **LOC (10) Cl.** ..... **23-01**  
(52) **U.S. Cl.**  
USPC ..... **D23/266**  
(58) **Field of Classification Search**  
USPC ..... D23/259-268; D24/129  
CPC ..... F15D 1/04; F16L 11/133; F16L 59/15;  
F16L 33/01; F16L 11/15; F16L 11/16;  
F16L 9/22; F16L 9/003; F16L 43/001;  
F16L 27/0849; F16L 43/002; E03D 11/16;  
E03D 11/18  
See application file for complete search history.

D735,303 S \* 7/2015 Drury ..... D23/262  
D737,413 S \* 8/2015 Drury ..... D23/262  
2007/0033725 A1 \* 2/2007 Holtsnider ..... A61H 33/027  
4/541.6  
2008/0127407 A1 \* 6/2008 Wooten ..... A61H 33/6063  
4/541.6  
2009/0133188 A1 \* 5/2009 Peng ..... A61H 33/6063  
4/541.6  
2009/0249539 A1 \* 10/2009 Holtsnider ..... A61H 33/027  
4/541.6  
2009/0276952 A1 \* 11/2009 Wooten ..... A61H 33/6063  
4/541.6  
2010/0299825 A1 \* 12/2010 Fleischer ..... A61H 33/027  
4/541.6  
2011/0004993 A1 \* 1/2011 Frei ..... E04H 4/0006  
4/492  
2012/0174312 A1 \* 7/2012 Loyd ..... B05B 1/3026  
4/541.6  
2012/0192348 A1 \* 8/2012 Campbell ..... A61H 33/601  
4/541.6  
2012/0272447 A1 \* 11/2012 Fleischer ..... A61H 33/027  
4/541.6

\* cited by examiner

*Primary Examiner* — John Windmuller  
*Assistant Examiner* — Steven Czyz  
(74) *Attorney, Agent, or Firm* — Reinhart Boerner Van  
Deuren s.c.

(56) **References Cited**

**U.S. PATENT DOCUMENTS**

D244,937 S \* 7/1977 Houk ..... D23/259  
D284,603 S \* 7/1986 Loignon ..... D23/259  
5,848,444 A \* 12/1998 Christopherson ..... A47K 3/10  
239/587.3  
5,915,849 A \* 6/1999 Dongo ..... A61H 33/027  
4/492  
D437,633 S \* 2/2001 Weise ..... D23/263  
6,470,508 B2 \* 10/2002 Turner ..... A61H 33/6052  
4/492  
6,691,336 B2 \* 2/2004 Buck ..... A61H 33/027  
239/222.17  
D550,334 S \* 9/2007 De Alba ..... D23/259  
D612,912 S \* 3/2010 Delaney ..... D23/259  
D613,826 S \* 4/2010 Hall ..... D23/259  
D617,880 S \* 6/2010 Johnson ..... D23/262  
D678,481 S \* 3/2013 Branco ..... D23/260  
D678,521 S \* 3/2013 Mort ..... D24/110.6  
8,869,320 B1 \* 10/2014 Santamarina ..... A61H 33/027  
239/428.5

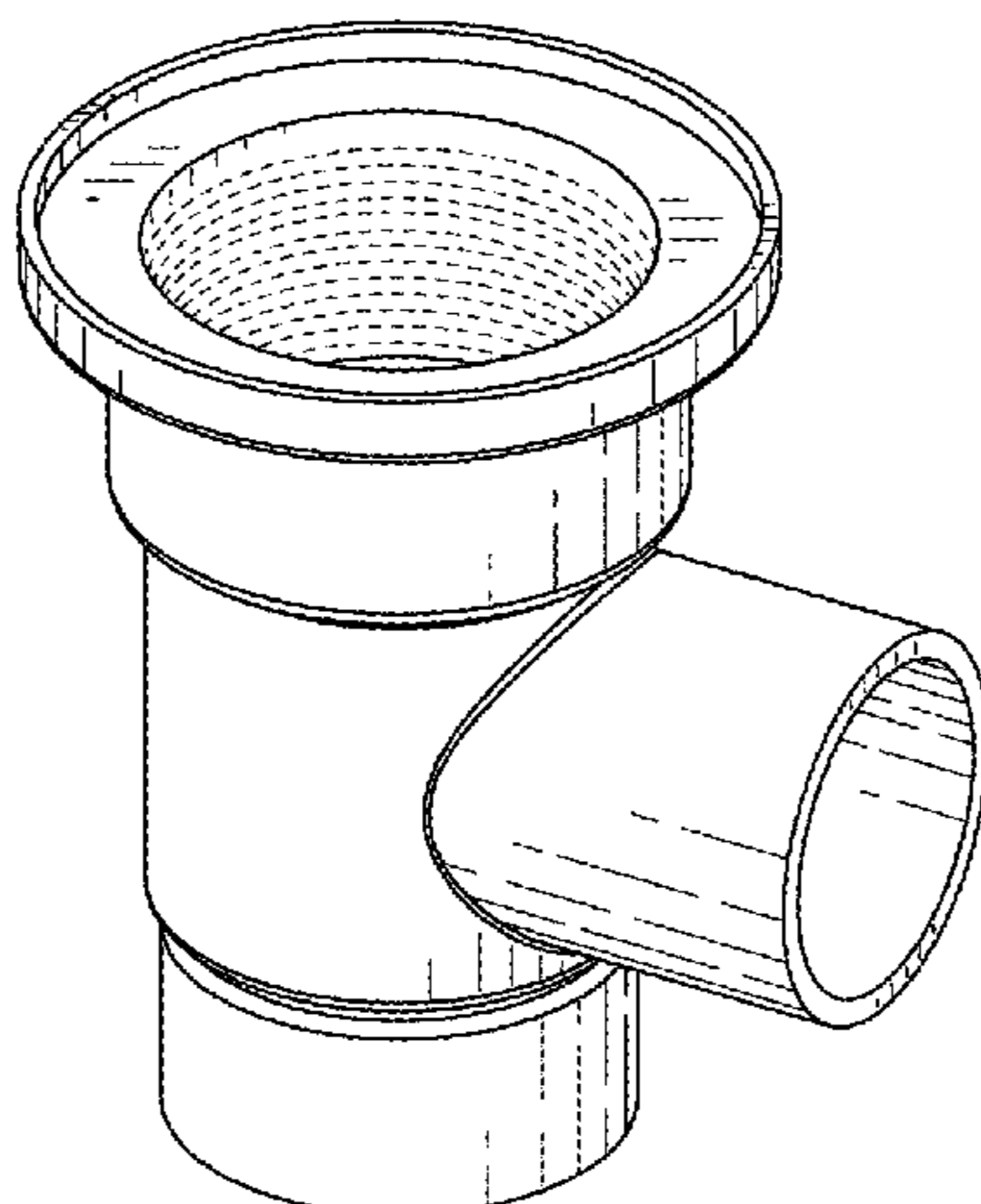
(57) **CLAIM**

The ornamental design for a plumbing pipe, as shown and described.

**DESCRIPTION**

FIG. 1 is a perspective view of a plumbing pipe;  
FIG. 2 is another perspective view thereof;  
FIG. 3 is a top plan view thereof;  
FIG. 4 is a left side elevation view thereof;  
FIG. 5 is a front view thereof;  
FIG. 6 is a right side elevation view thereof;  
FIG. 7 is a rear view thereof; and,  
FIG. 8 is a bottom view thereof.  
The broken lines depict portions of the article that form no part of the claimed design.

**1 Claim, 3 Drawing Sheets**



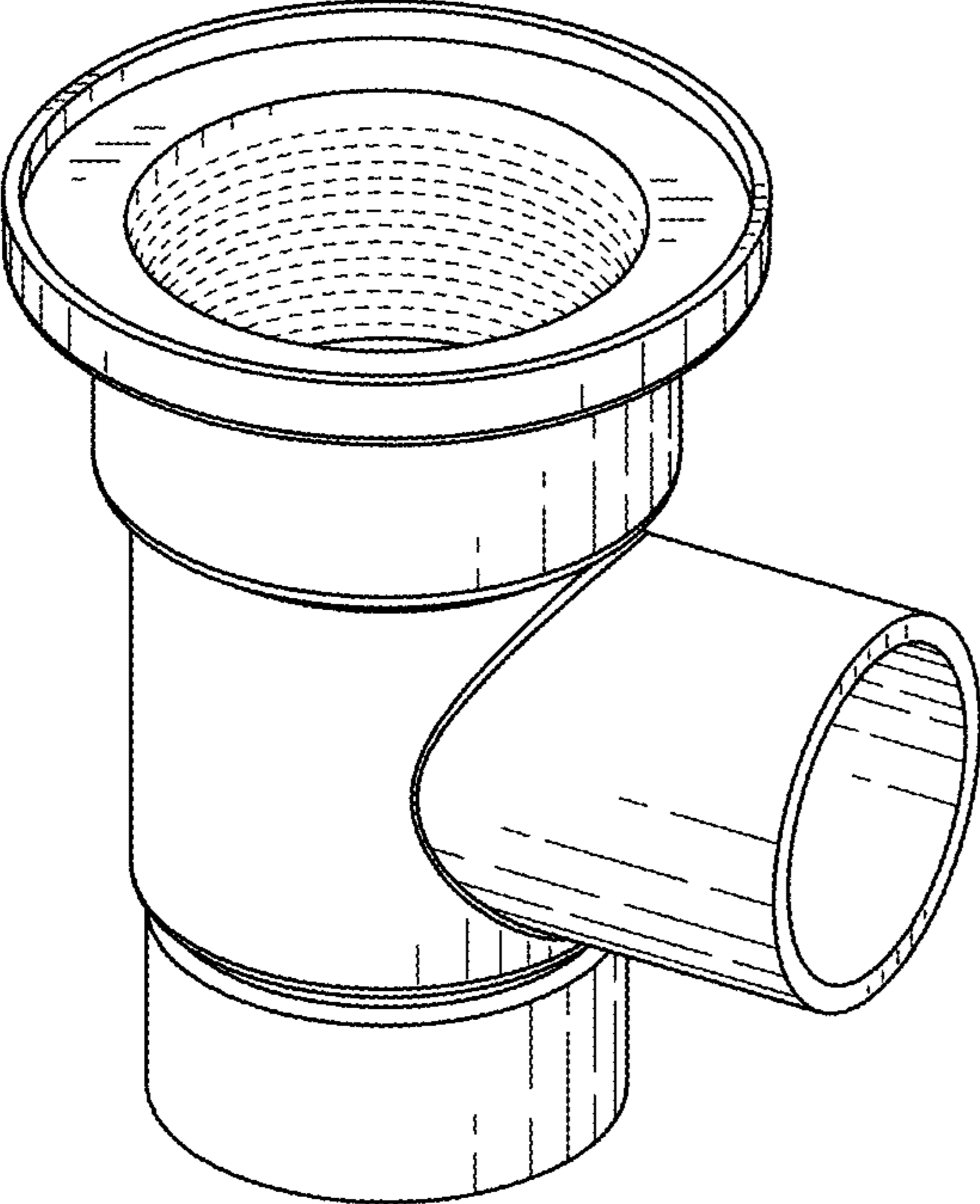


FIG. 1

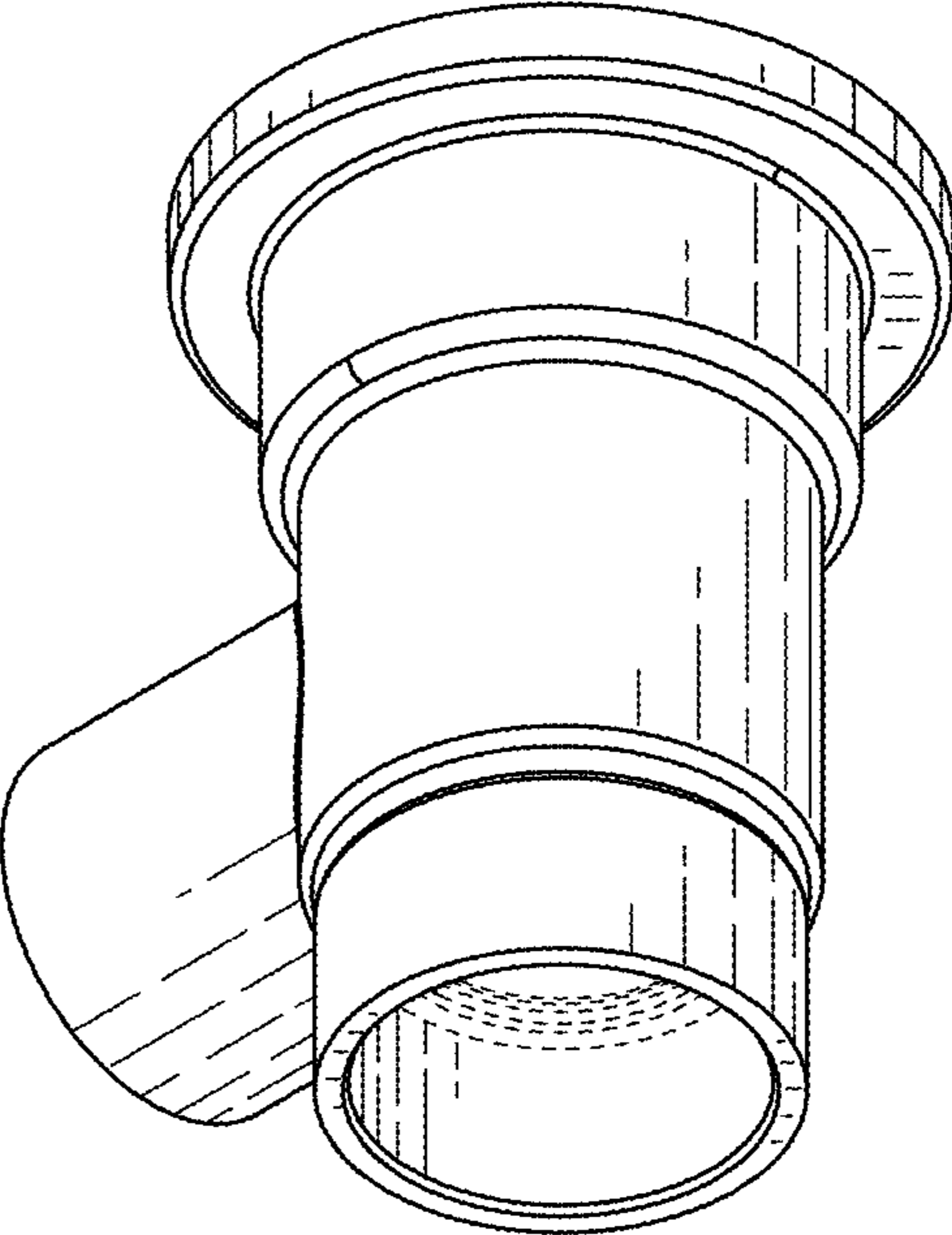


FIG. 2

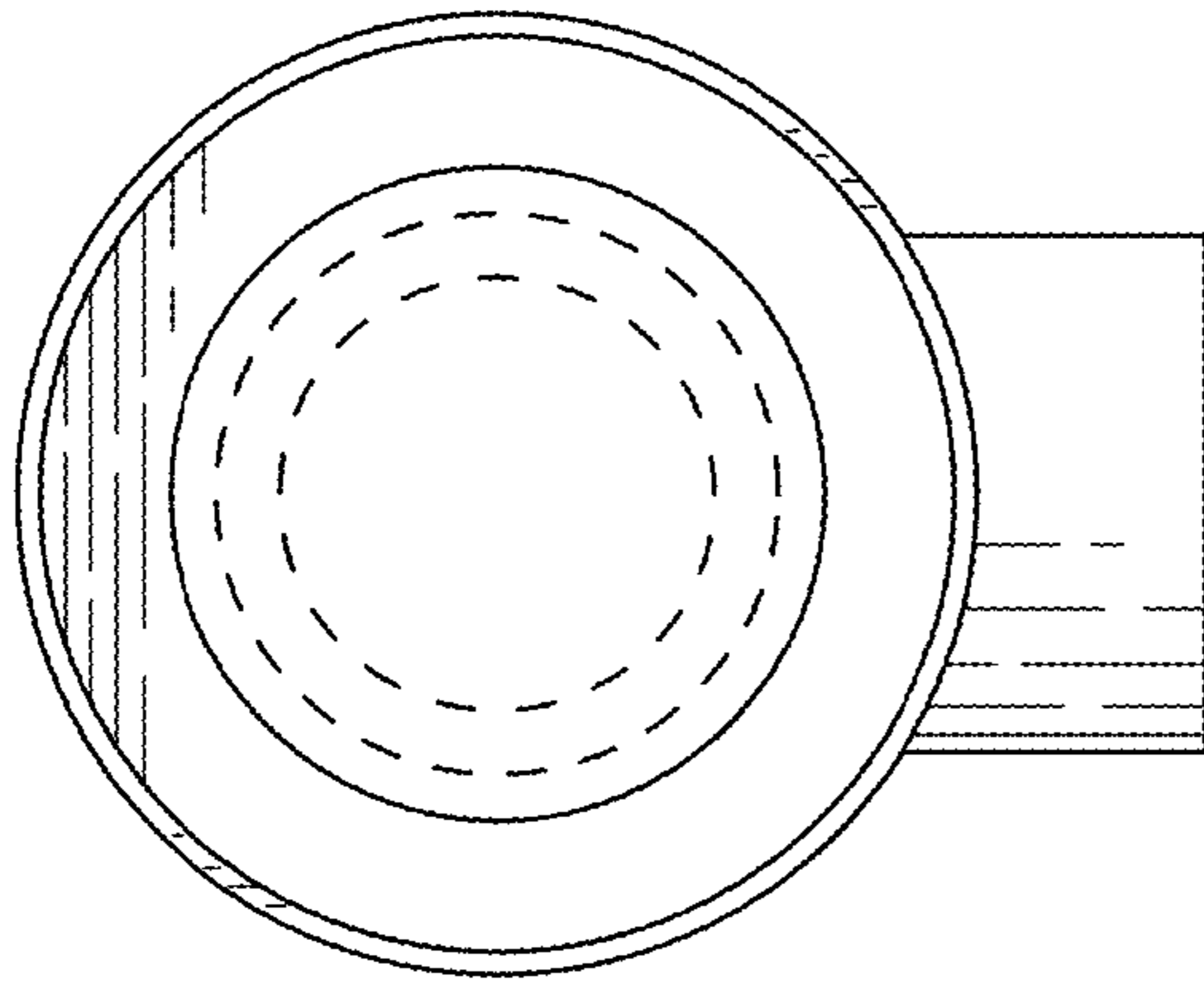


FIG. 3

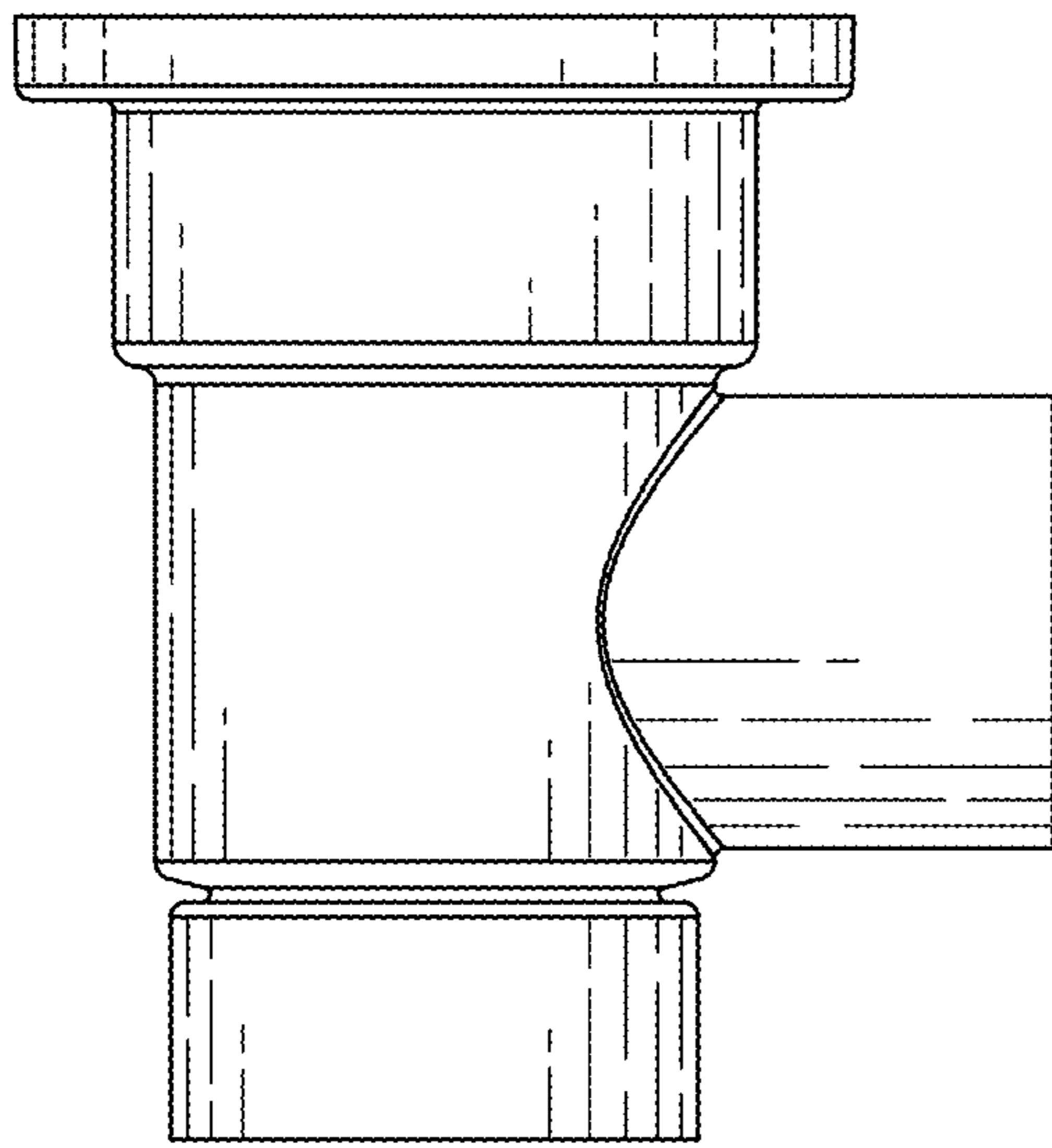


FIG. 4

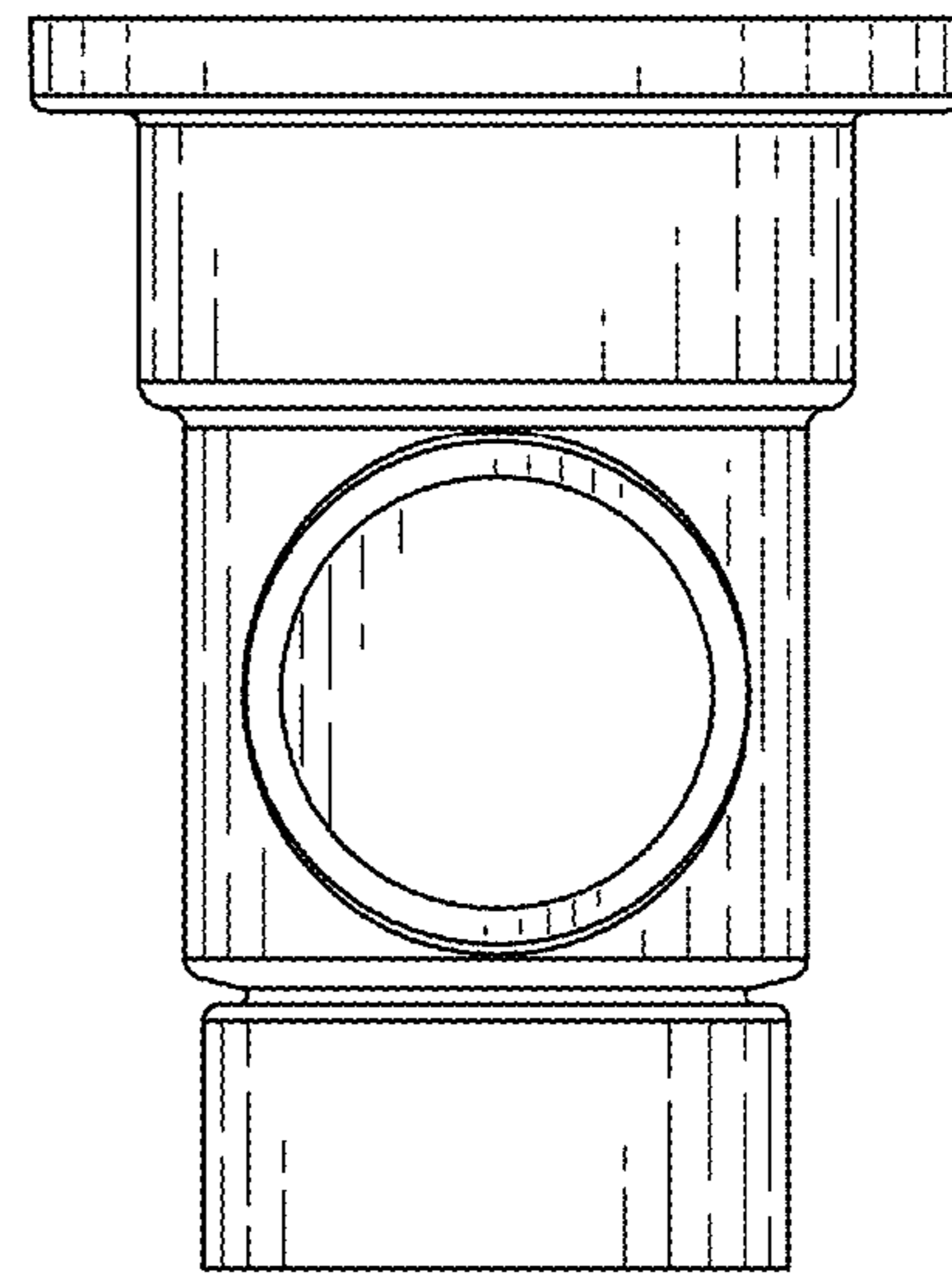


FIG. 5

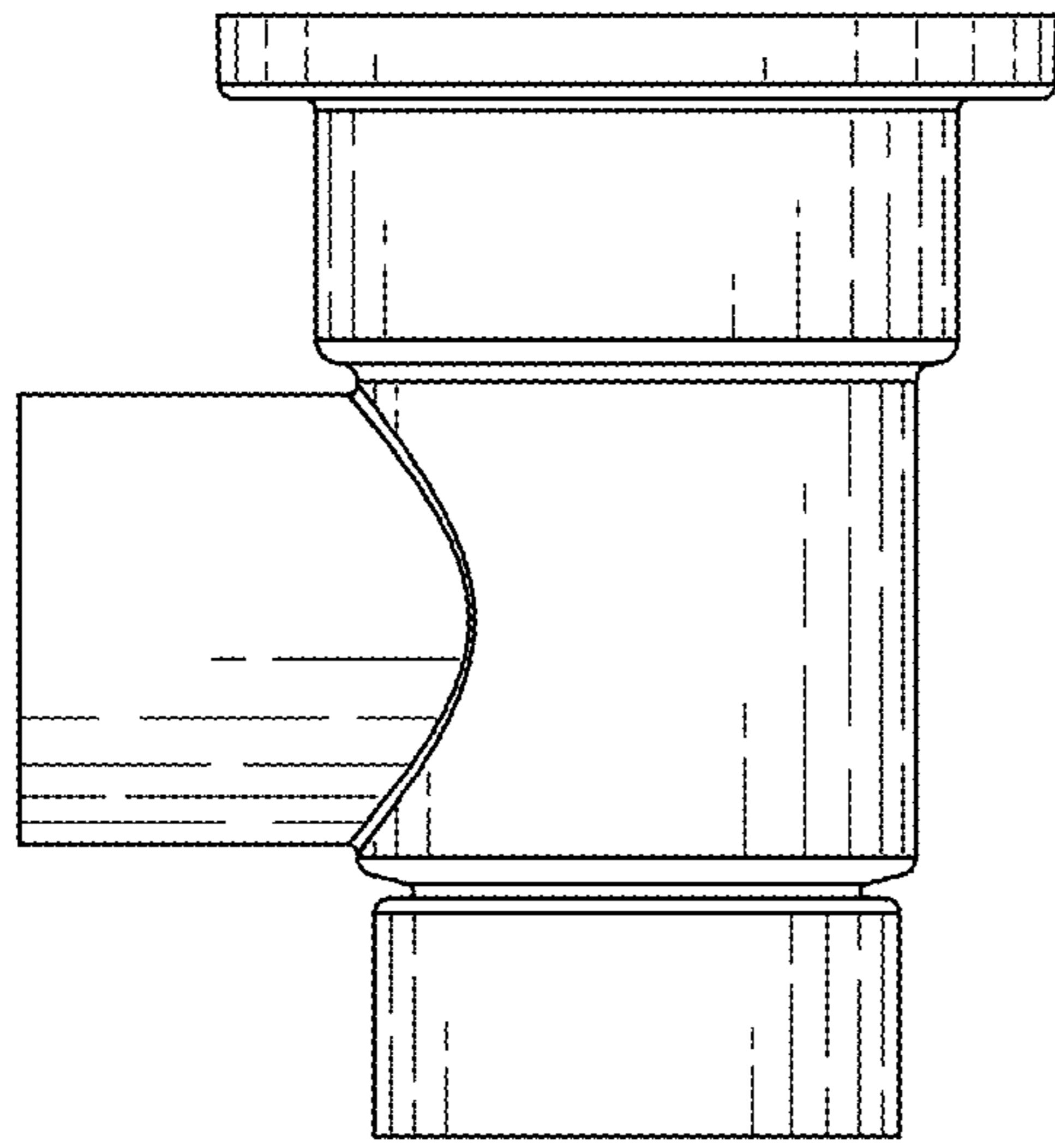


FIG. 6

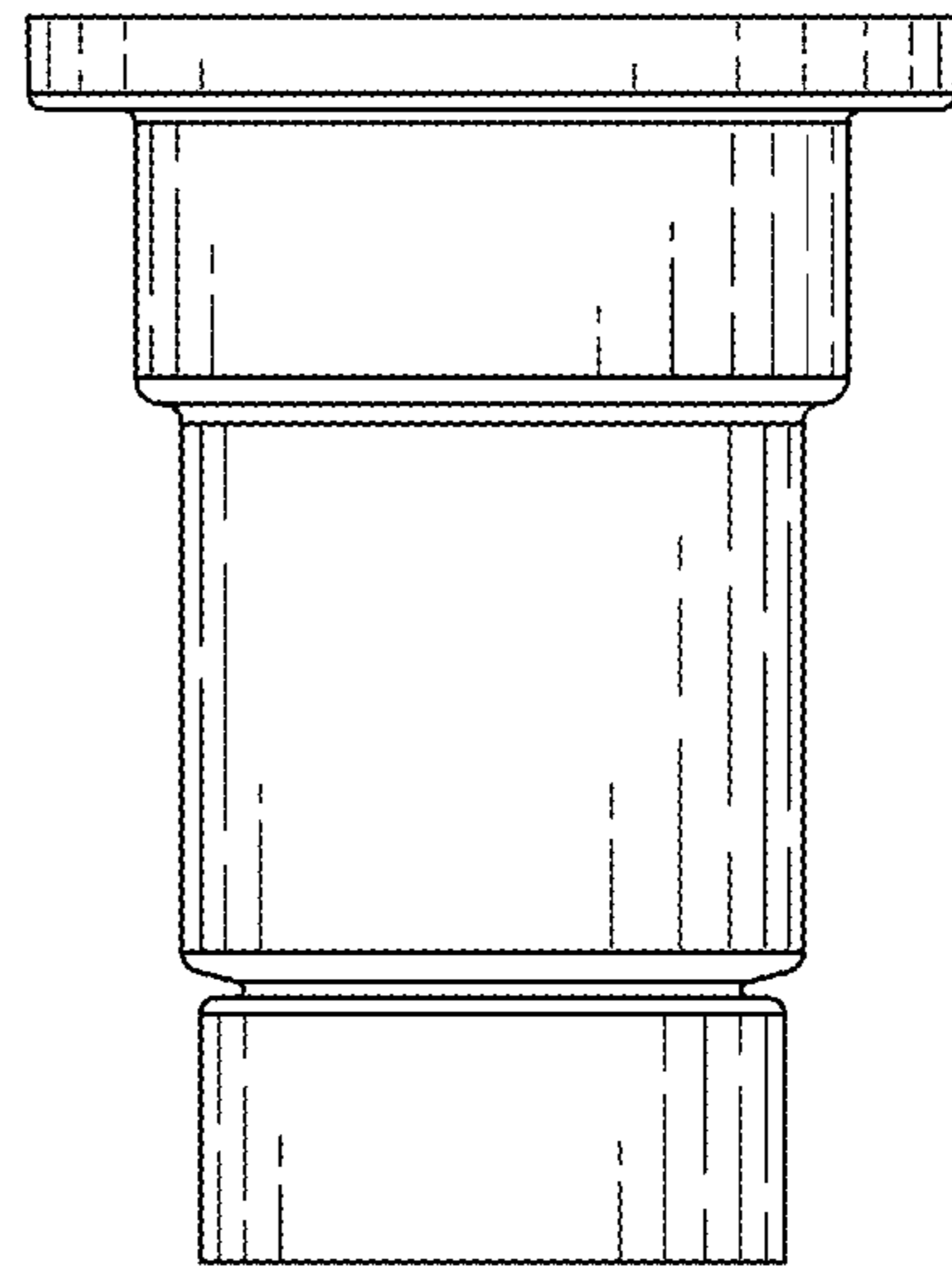


FIG. 7

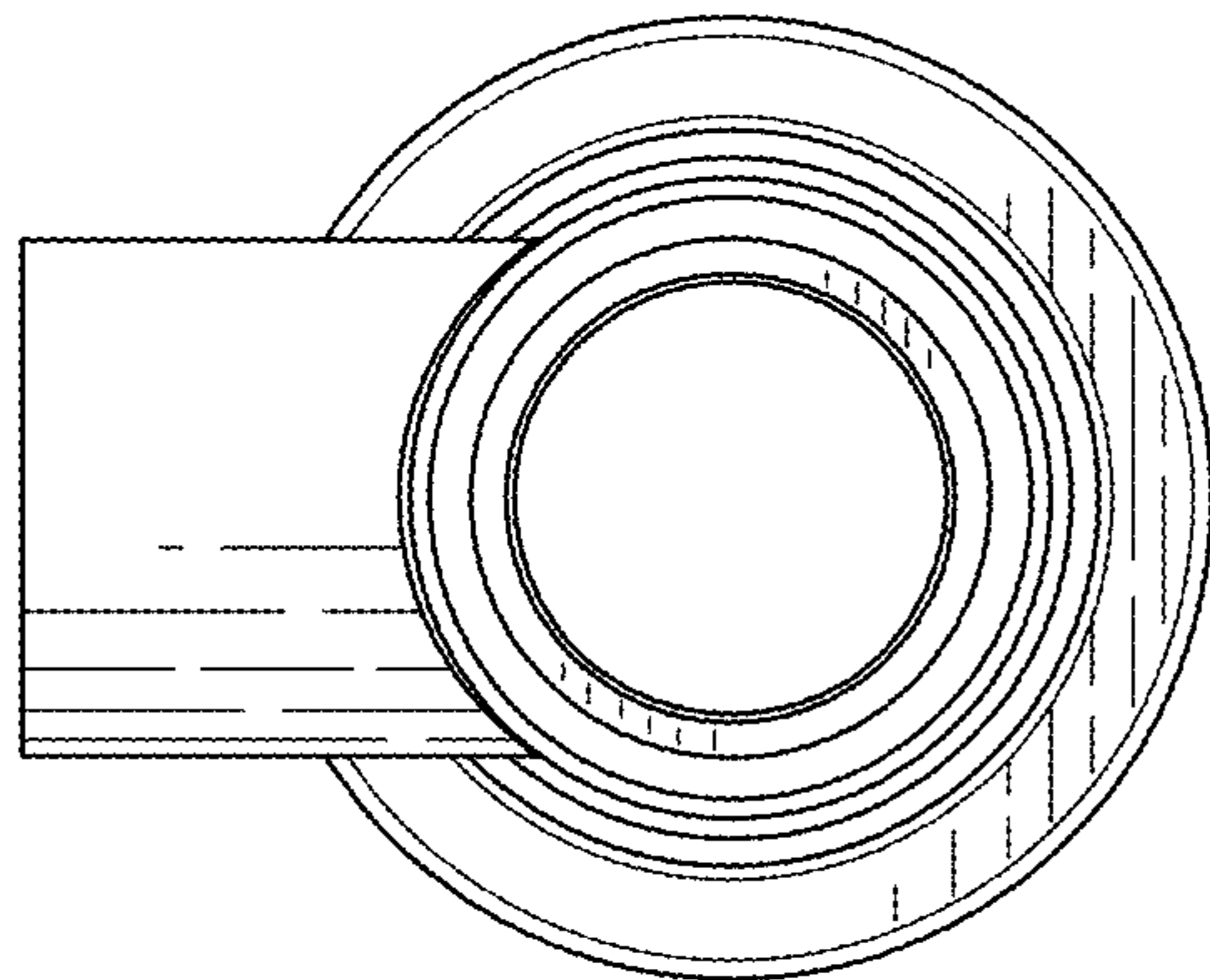


FIG. 8