



US00D772383S

(12) **United States Design Patent**
Gill

(10) **Patent No.:** **US D772,383 S**

(45) **Date of Patent:** **** Nov. 22, 2016**

(54) **DOUBLE NUT ZERO LOSS PIPE UNION**

(71) Applicant: **KMG Products, LLC**, Modesto, CA (US)

(72) Inventor: **Kevin M. Gill**, Linden, CA (US)

(**) Term: **15 Years**

(21) Appl. No.: **29/527,238**

(22) Filed: **May 18, 2015**

(51) **LOC (10) Cl.** **23-01**

(52) **U.S. Cl.**
USPC **D23/259**

(58) **Field of Classification Search**
USPC D23/259, 233-237, 262, 265, 266, 269;
D8/382
CPC F16L 15/02; F16L 15/04; F16L 15/06;
F16L 15/08; F16L 17/025; F16L 17/035;
F16L 17/04; F16L 23/00; F16L 23/12;
F16L 23/16; F16L 23/18; F16L 23/036;
F02F 11/00
See application file for complete search history.

(56) **References Cited**

U.S. PATENT DOCUMENTS

3,275,350 A * 9/1966 Kody F16L 19/065
285/341
4,798,404 A * 1/1989 Iyanicki F16L 19/062
285/12

5,857,719 A * 1/1999 Hansen F16L 37/10
285/343
6,488,318 B1 * 12/2002 Shim F16L 19/061
285/322
D533,259 S * 12/2006 Lewis D23/262
D549,804 S * 8/2007 Lewis D23/262
D612,716 S * 3/2010 Lutz D8/397
D627,039 S * 11/2010 Yu D23/260
D648,005 S * 11/2011 Morishita D23/259
D706,126 S * 6/2014 Orow D8/397
D746,415 S * 12/2015 Lehmann D23/259
D746,418 S * 12/2015 Castrigno D23/262
D746,953 S * 1/2016 Gledhill D23/259

* cited by examiner

Primary Examiner — Eric Goodman

Assistant Examiner — Amy Wierenga

(74) *Attorney, Agent, or Firm* — Craig A. Simmermon

(57) **CLAIM**

The ornamental design for a double nut zero loss pipe union, as shown and described.

DESCRIPTION

FIG. 1 is a perspective view of double nut zero loss pipe union showing my new design.

FIG. 2 is a top plan view thereof.

FIG. 3 is a bottom plan view thereof.

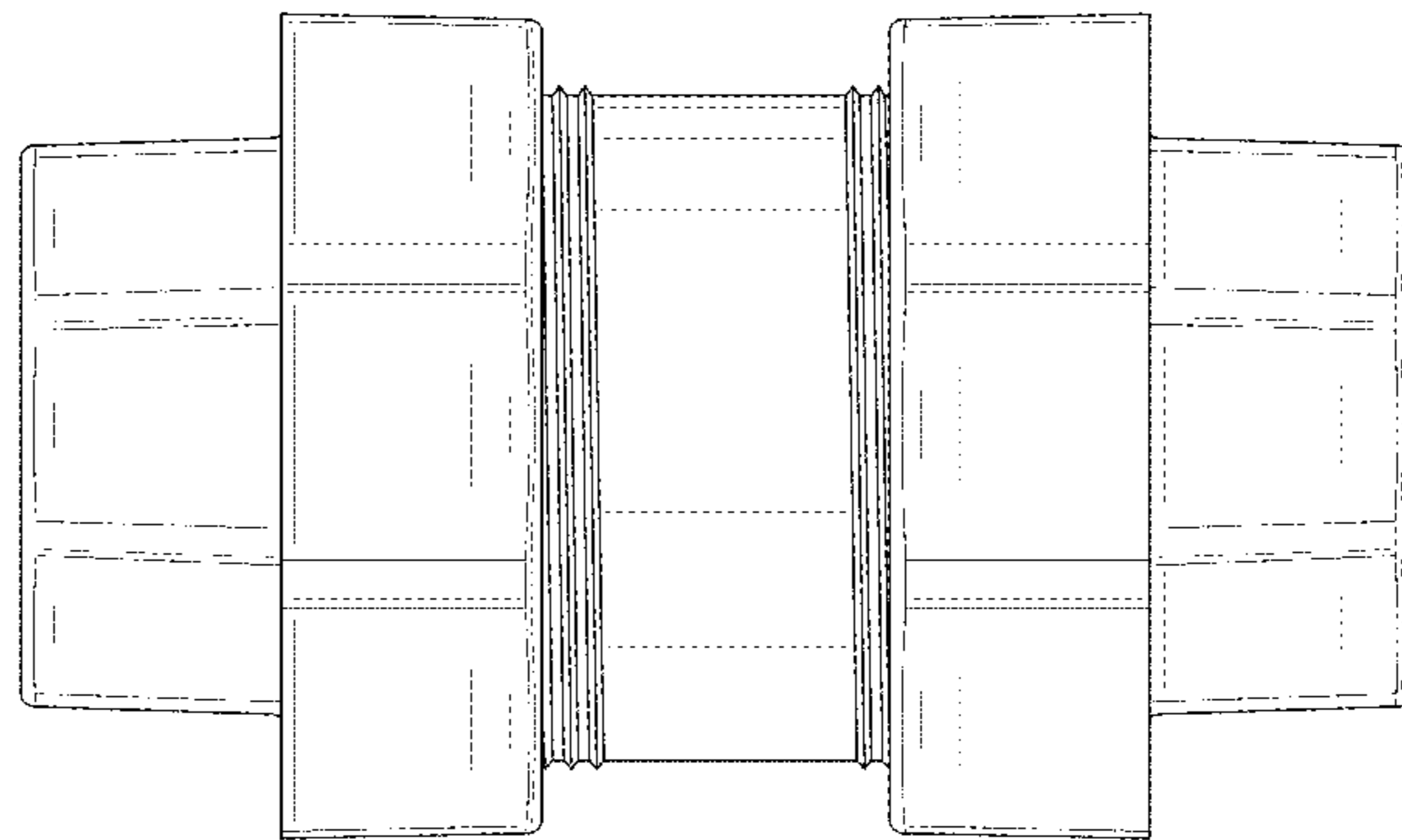
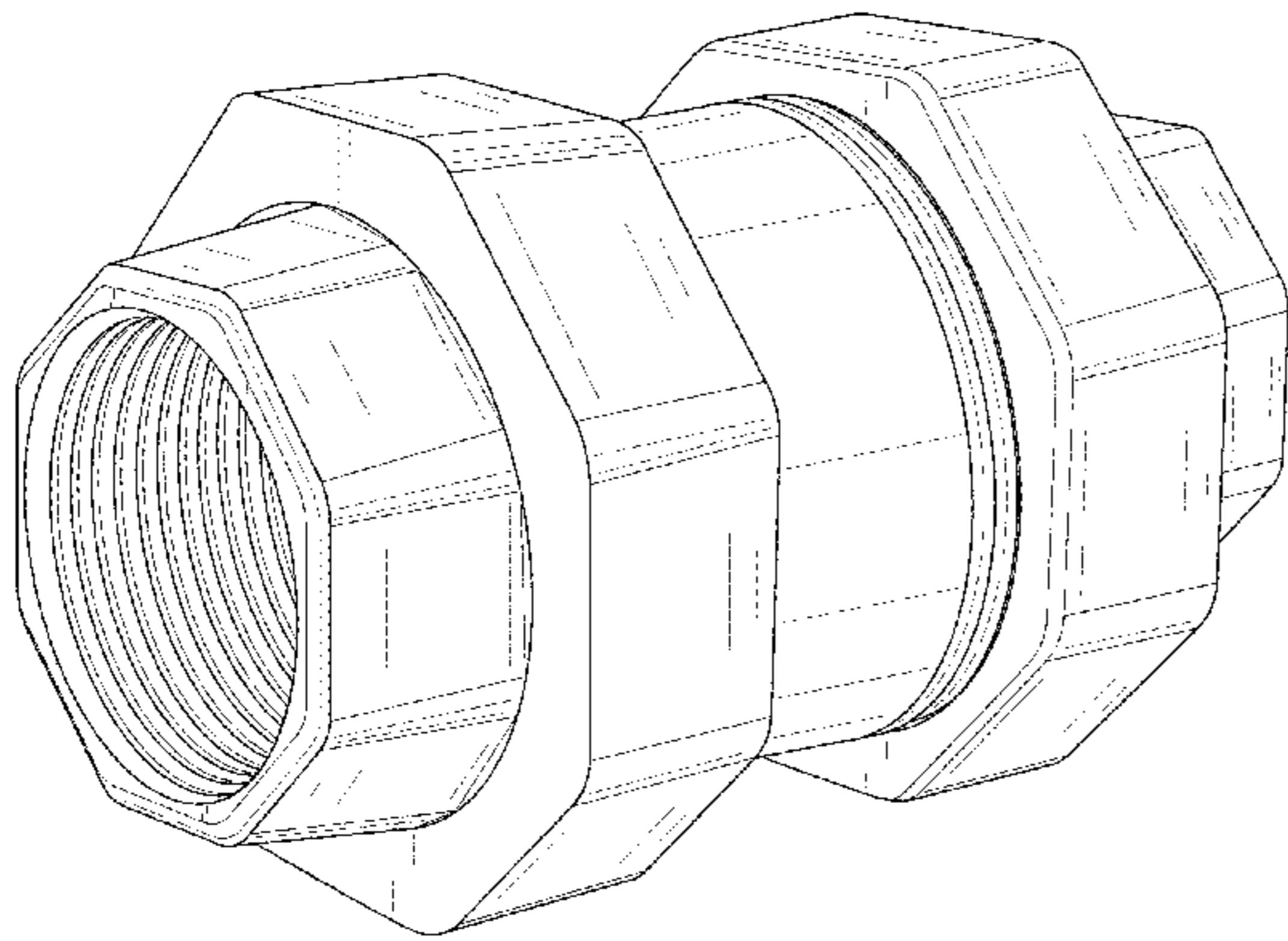
FIG. 4 is a right side elevation view thereof.

FIG. 5 is a left side elevation view thereof.

FIG. 6 is a front elevation view thereof; and,

FIG. 7 is a rear elevation view thereof.

1 Claim, 7 Drawing Sheets



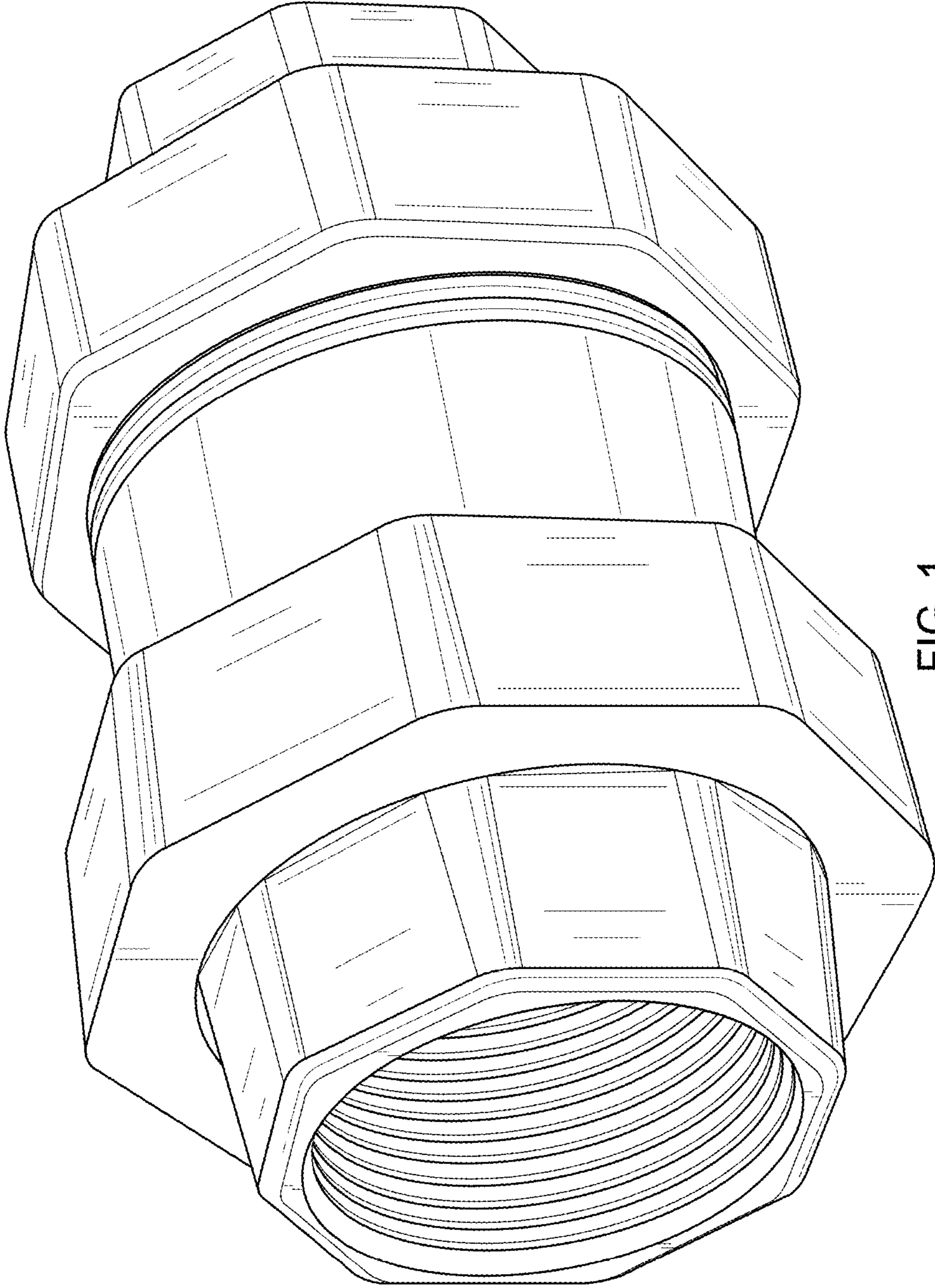


FIG. 1

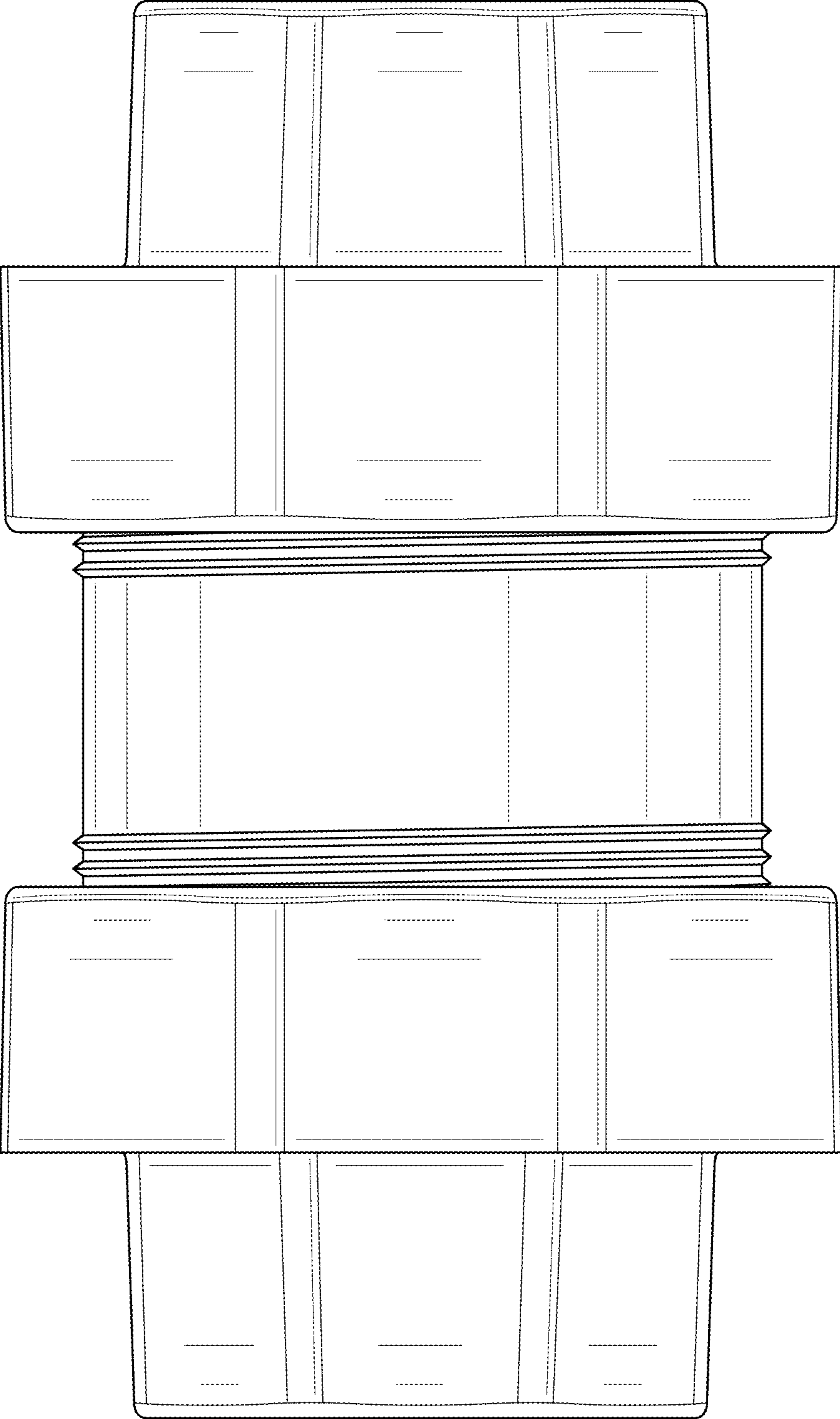


FIG. 2

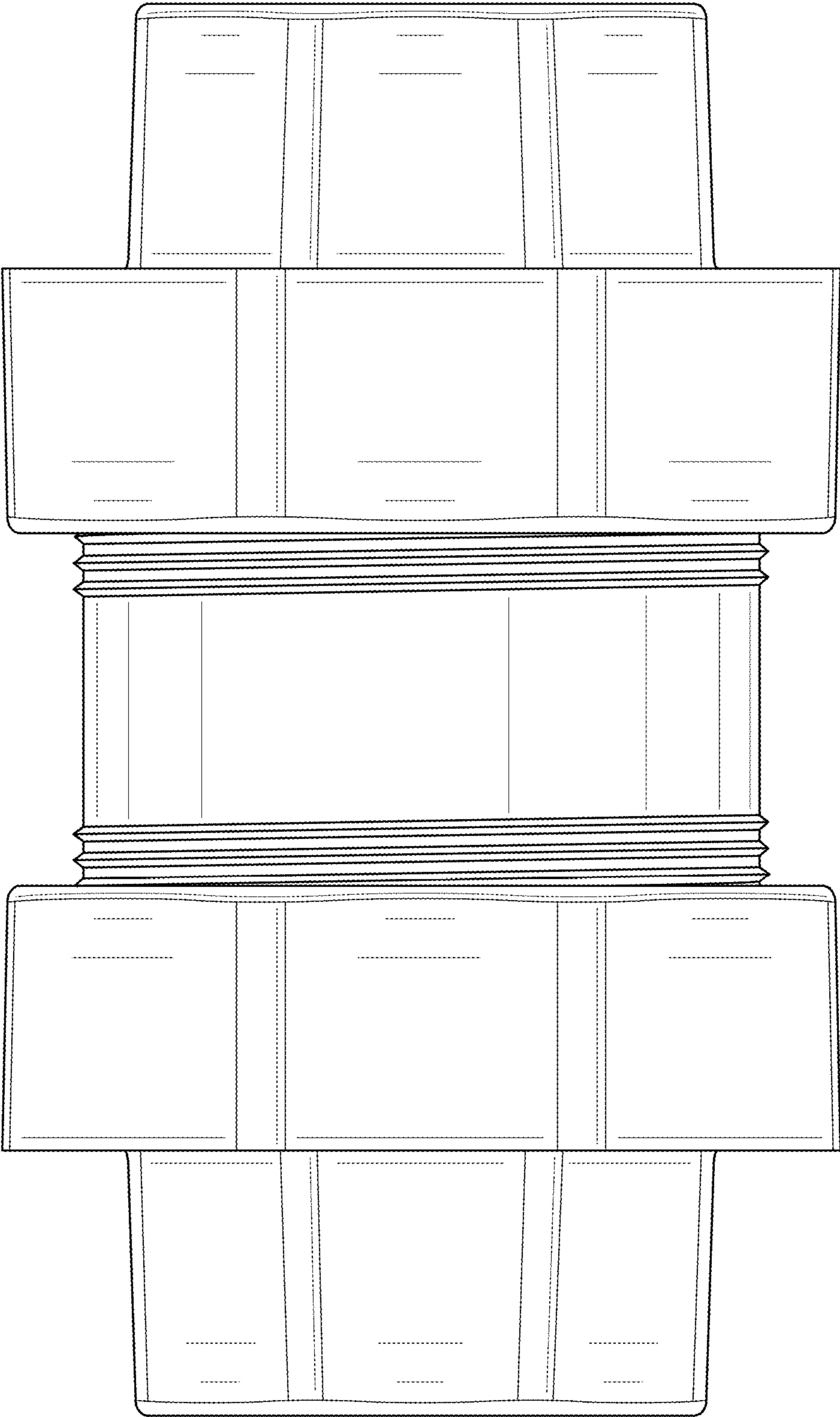


FIG. 3

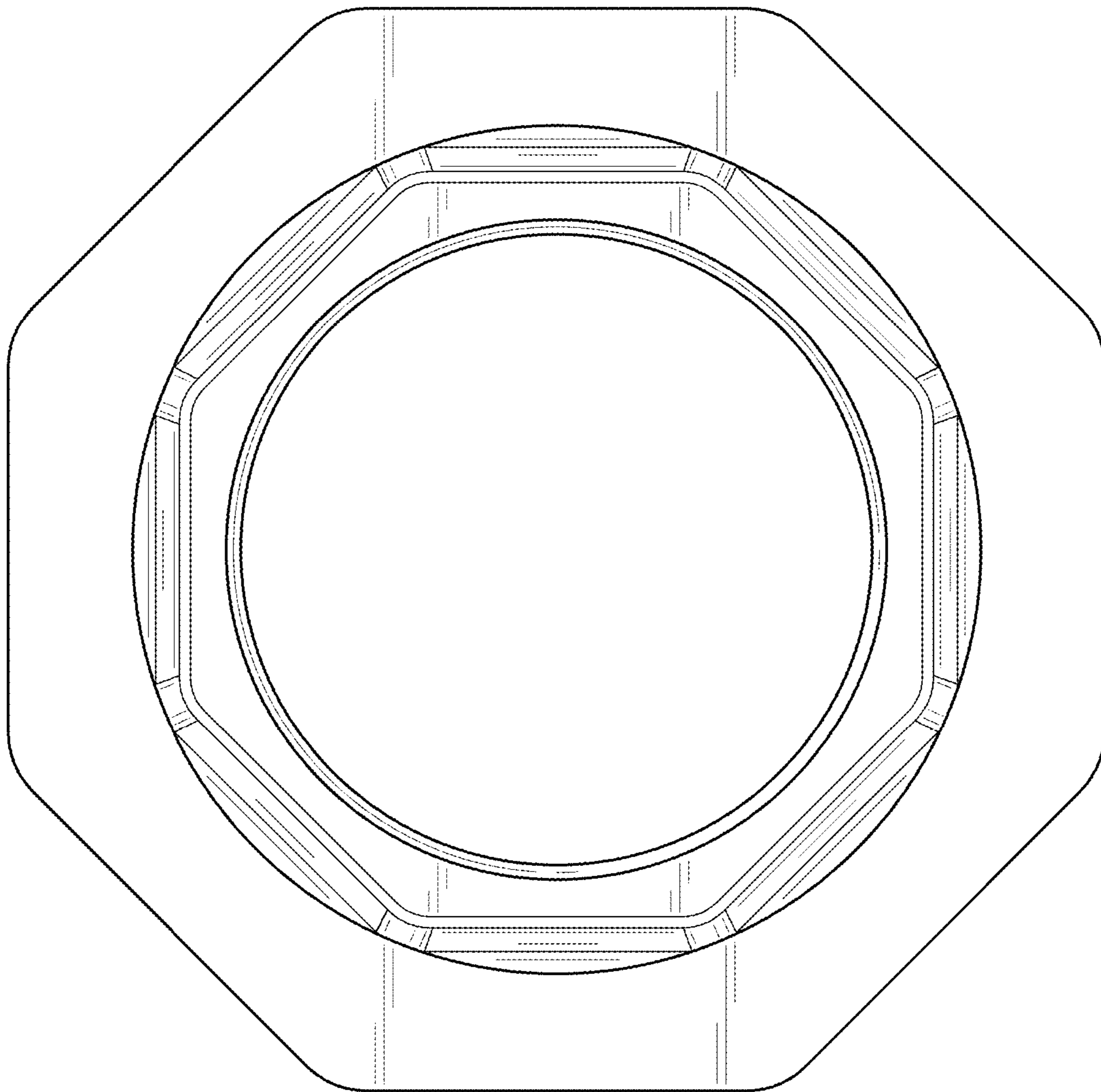


FIG. 4

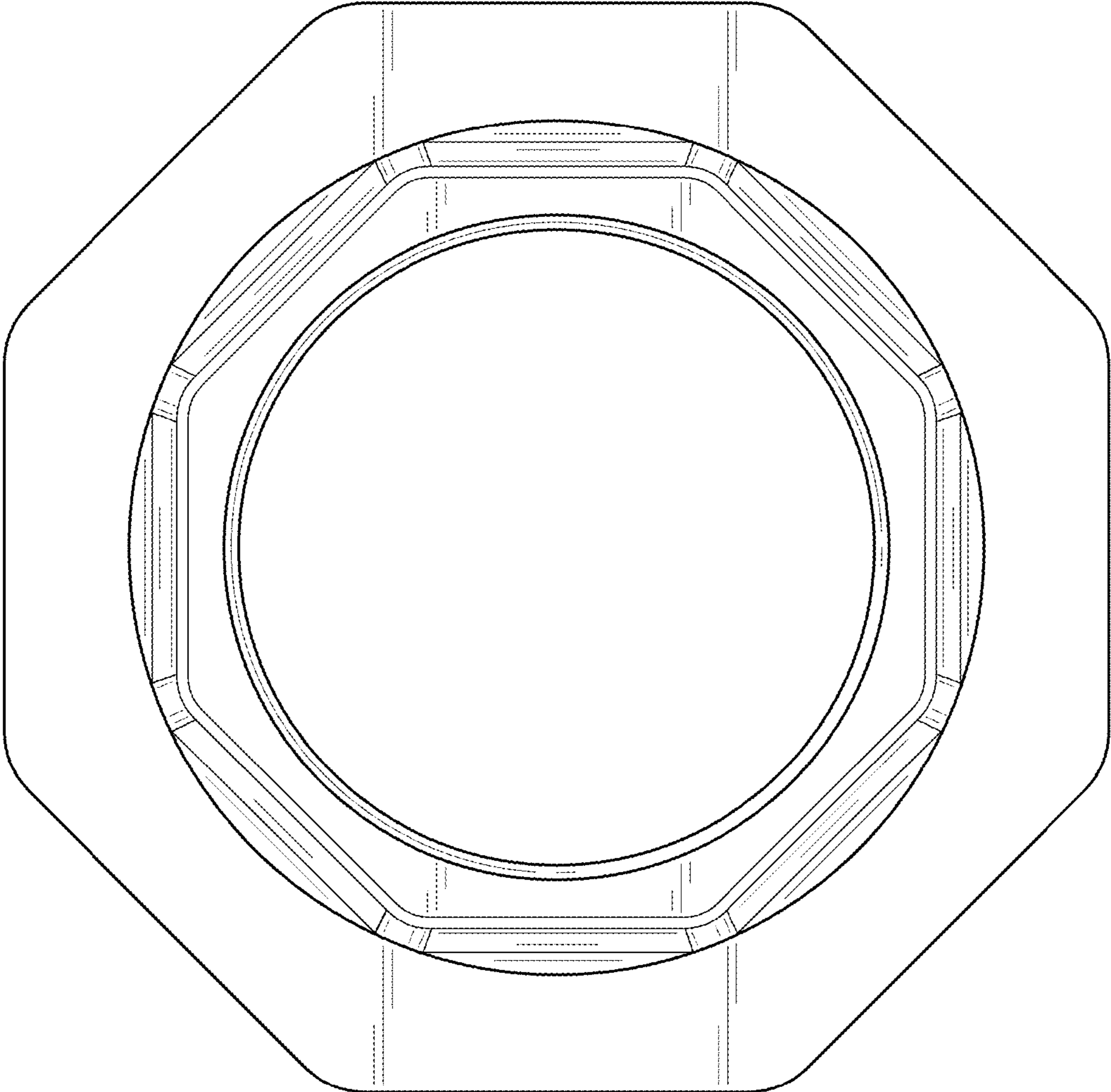


FIG. 5

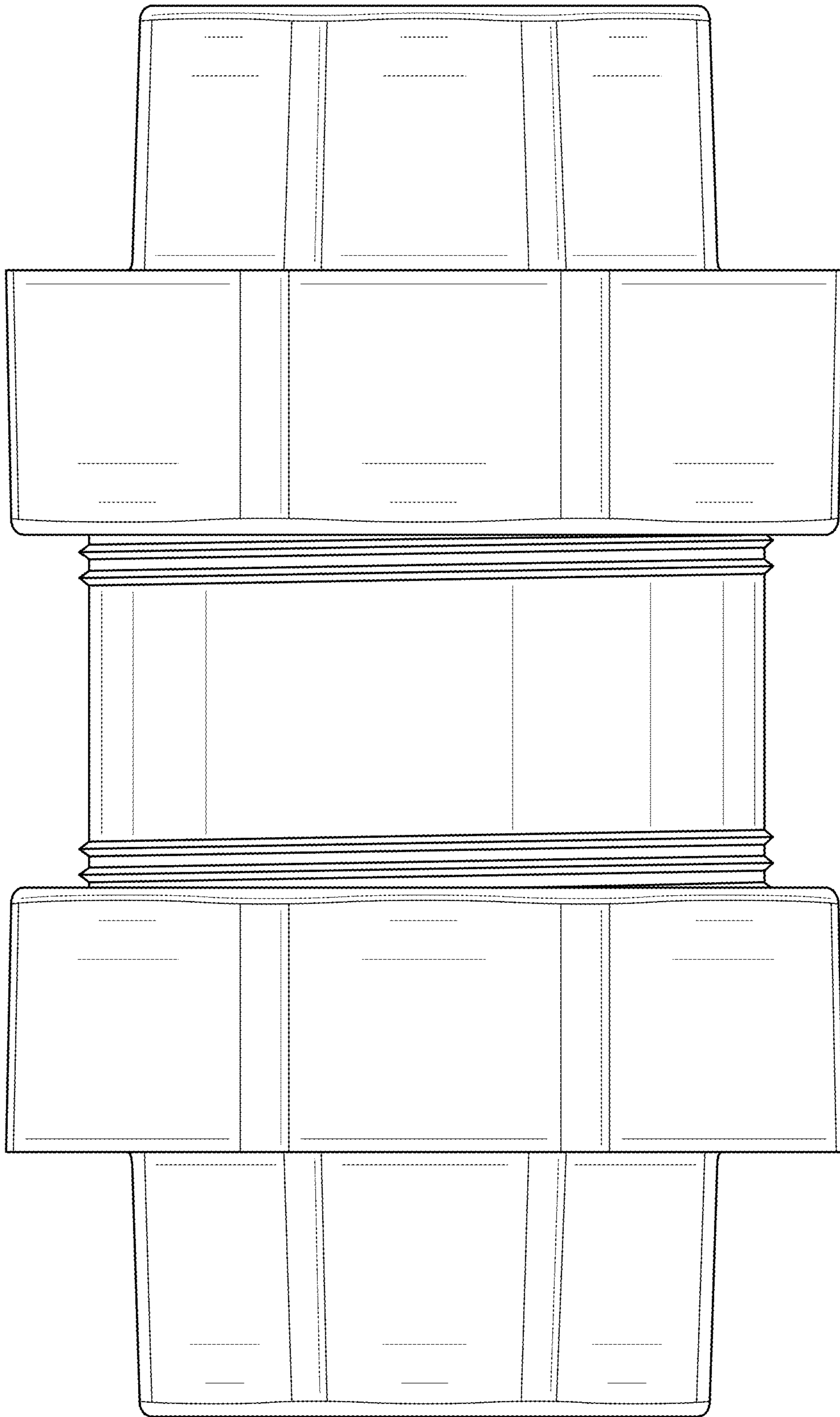


FIG. 6

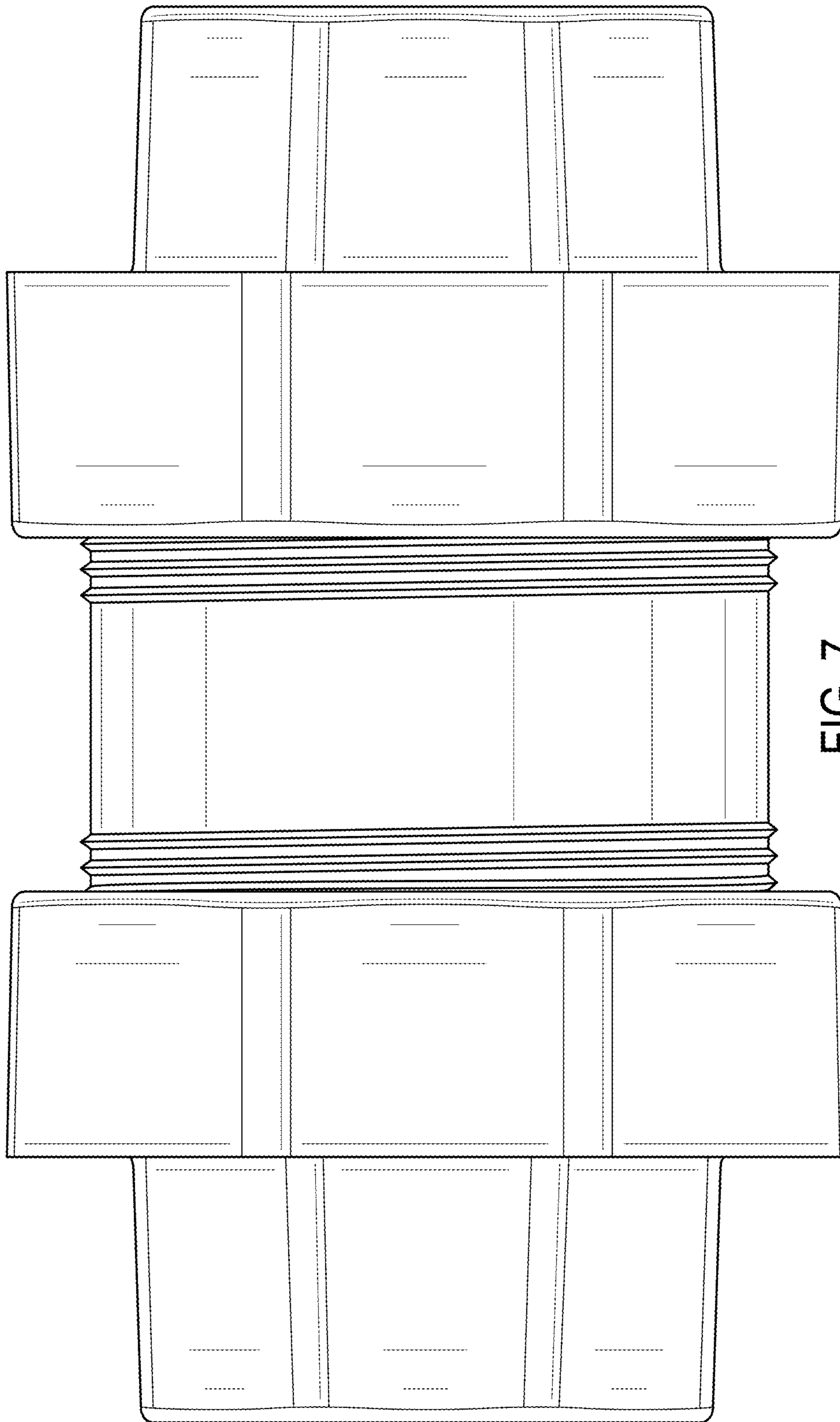


FIG. 7