



US00D772381S

(12) **United States Design Patent**
Chen et al.

(10) **Patent No.:** **US D772,381 S**

(45) **Date of Patent:** **** Nov. 22, 2016**

(54) **SHOWER HEAD FACE**

(71) Applicants: **Yun Chen**, Germantown, MD (US);
Hui Chen, Germantown, MD (US)

(72) Inventors: **Yun Chen**, Germantown, MD (US);
Hui Chen, Germantown, MD (US)

(**) Term: **15 Years**

(21) Appl. No.: **29/542,968**

(22) Filed: **Oct. 20, 2015**

(51) **LOC (10) Cl.** **23-01**

(52) **U.S. Cl.**
USPC **D23/229**

(58) **Field of Classification Search**
USPC D23/213, 223, 226, 229, 230; 4/615,
4/526
CPC B05B 1/18; B05B 1/00; B05B 9/01;
E03C 1/06; A47K 3/28
See application file for complete search history.

(56) **References Cited**

U.S. PATENT DOCUMENTS

D514,197 S * 1/2006 Gilbert D23/213
D531,261 S * 10/2006 Tse D23/213

D531,262 S * 10/2006 Tse D23/213
D555,769 S * 11/2007 Lee D23/229
D678,469 S * 3/2013 Zhadanov D23/229
D681,781 S * 5/2013 Cutler D23/229

* cited by examiner

Primary Examiner — Robin V Webster

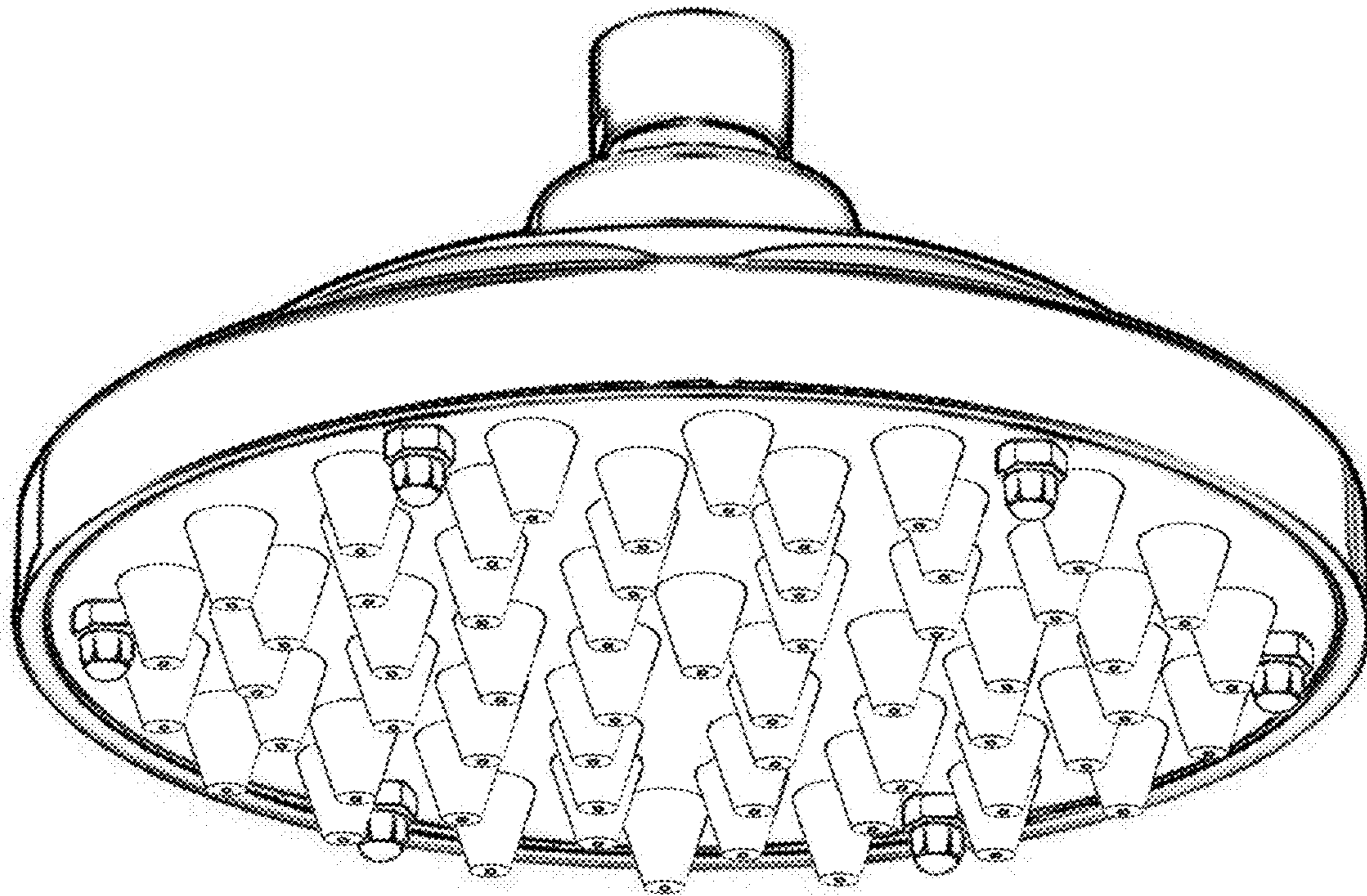
(57) **CLAIM**

The ornamental design for a shower head face, as shown and described.

DESCRIPTION

FIG. 1 is a front perspective view of a shower head face showing our design;
FIG. 2 is a right side elevational view thereof;
FIG. 3 is a left side elevational view thereof;
FIG. 4 is a top plan view thereof;
FIG. 5 is a front elevational view thereof;
FIG. 6 is a bottom plan view thereof; and,
FIG. 7 is a rear elevational view thereof.

1 Claim, 4 Drawing Sheets



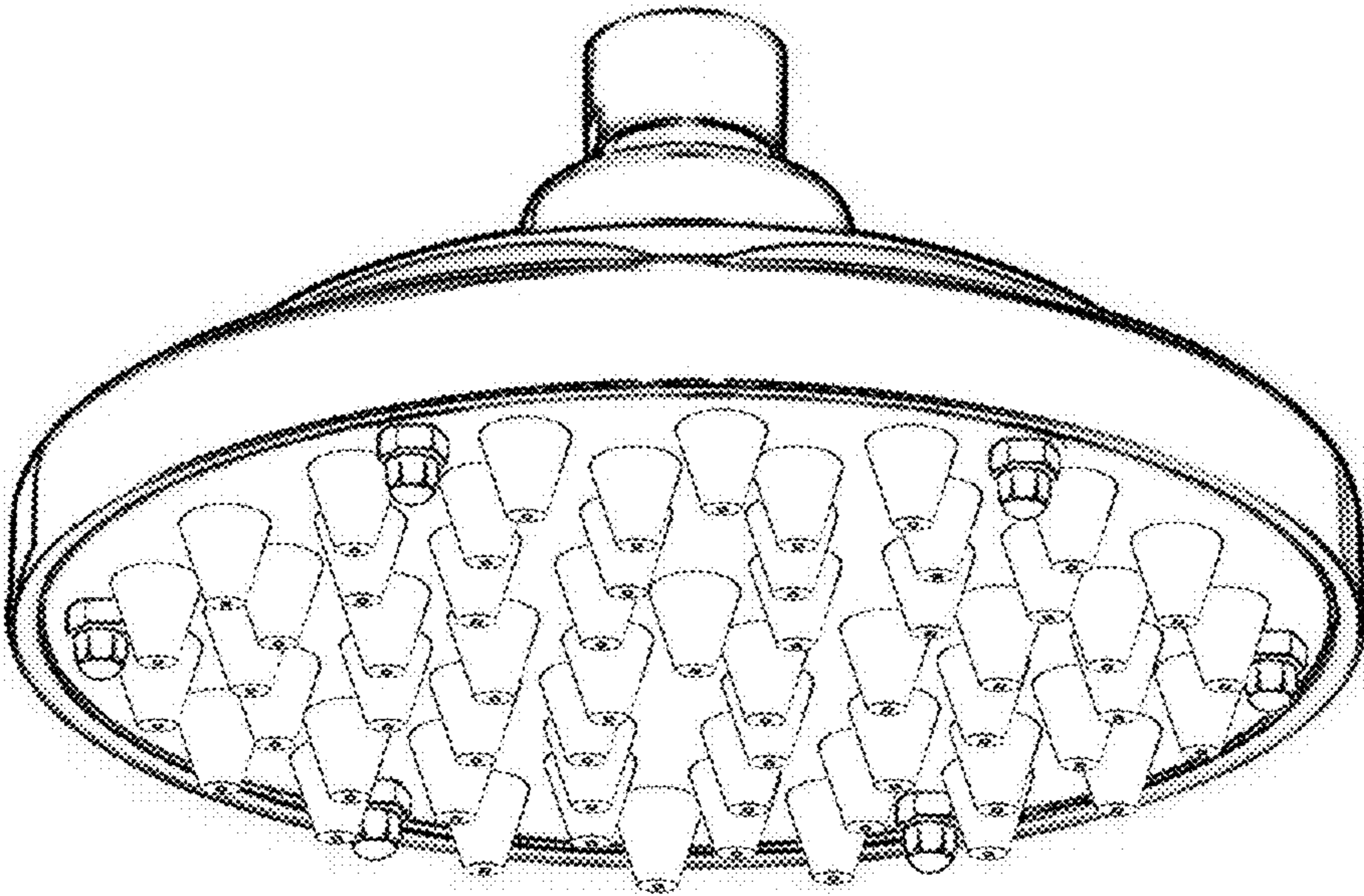


FIG.1

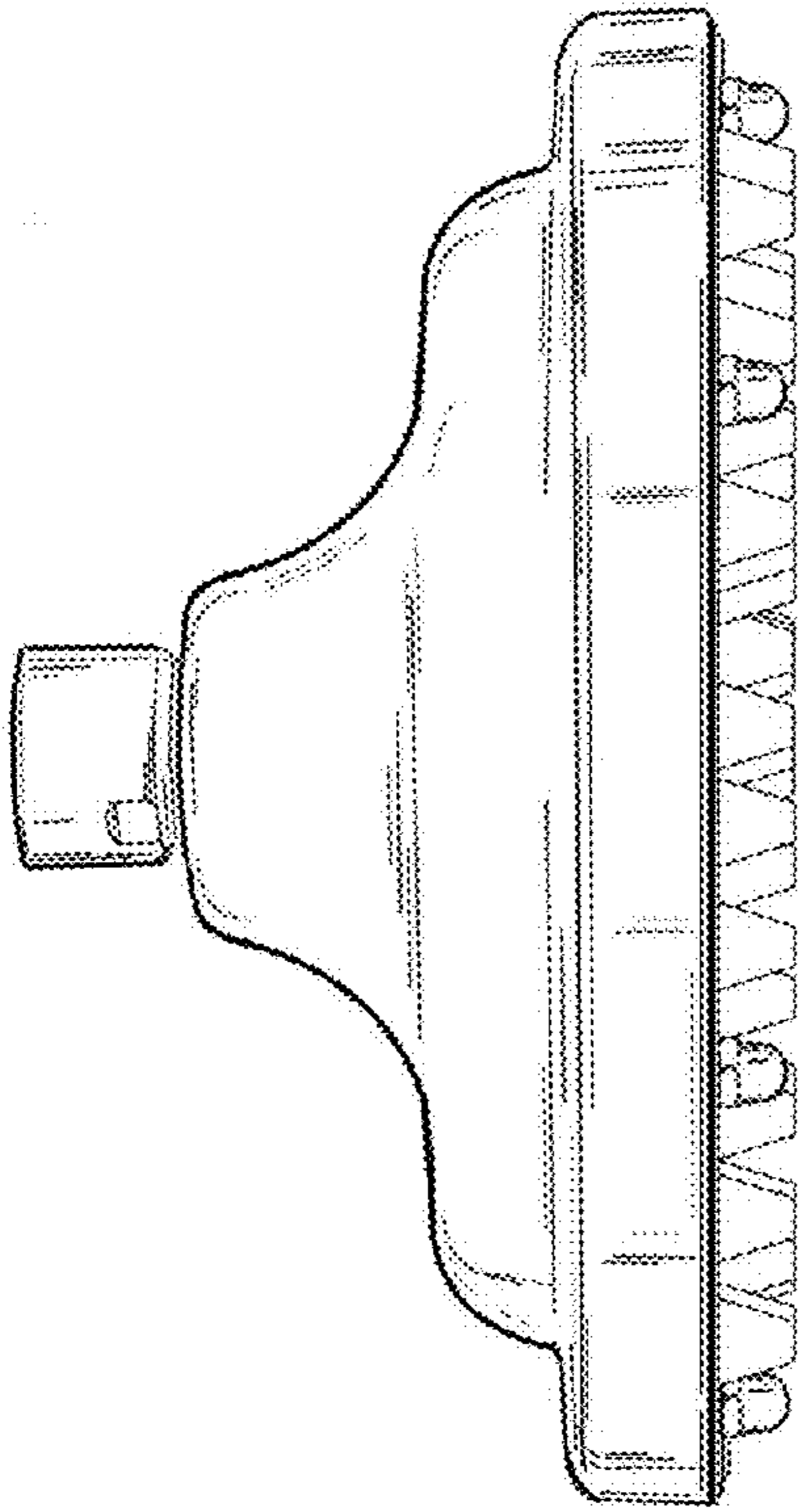


FIG. 2

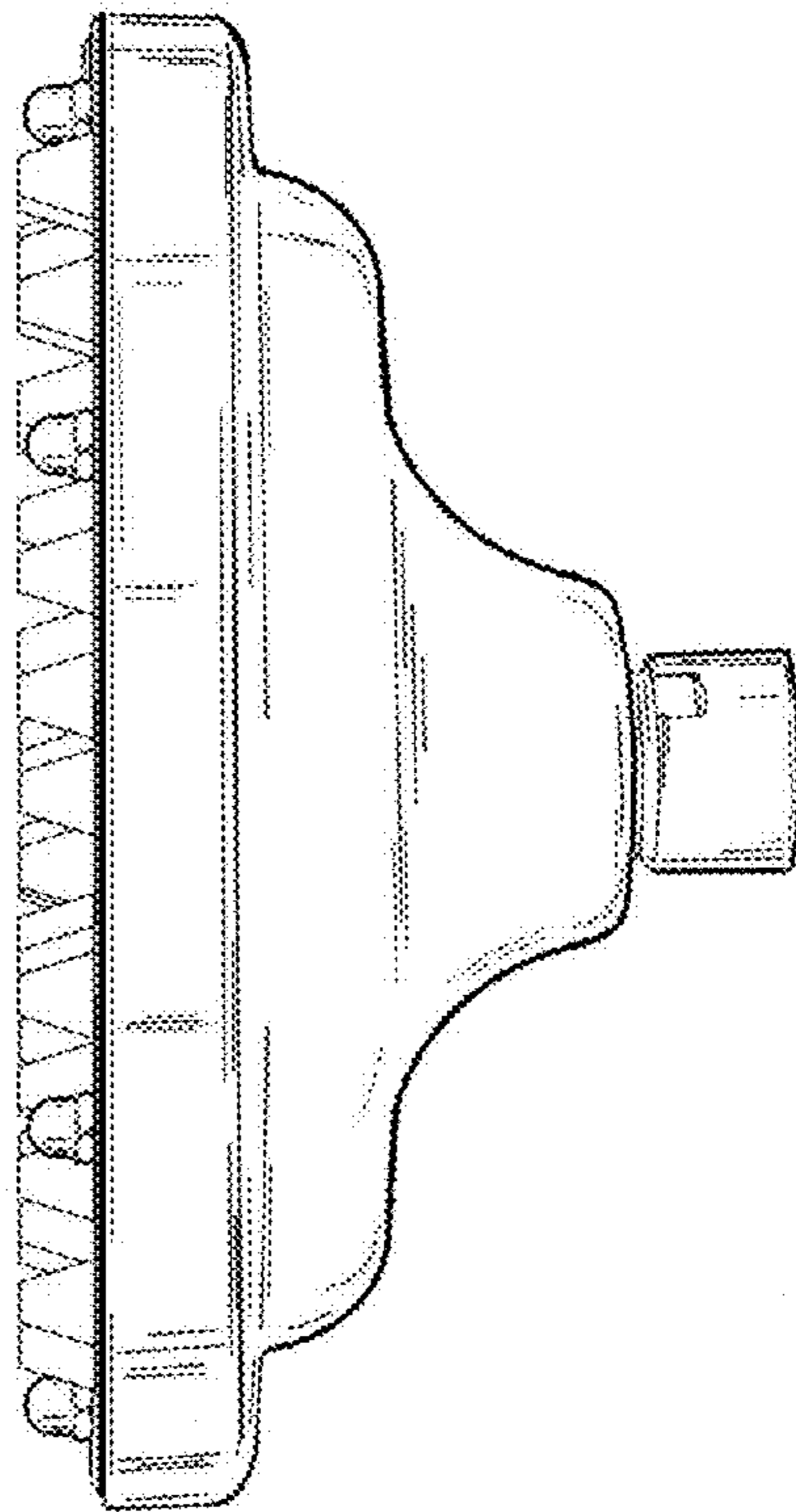


FIG. 3

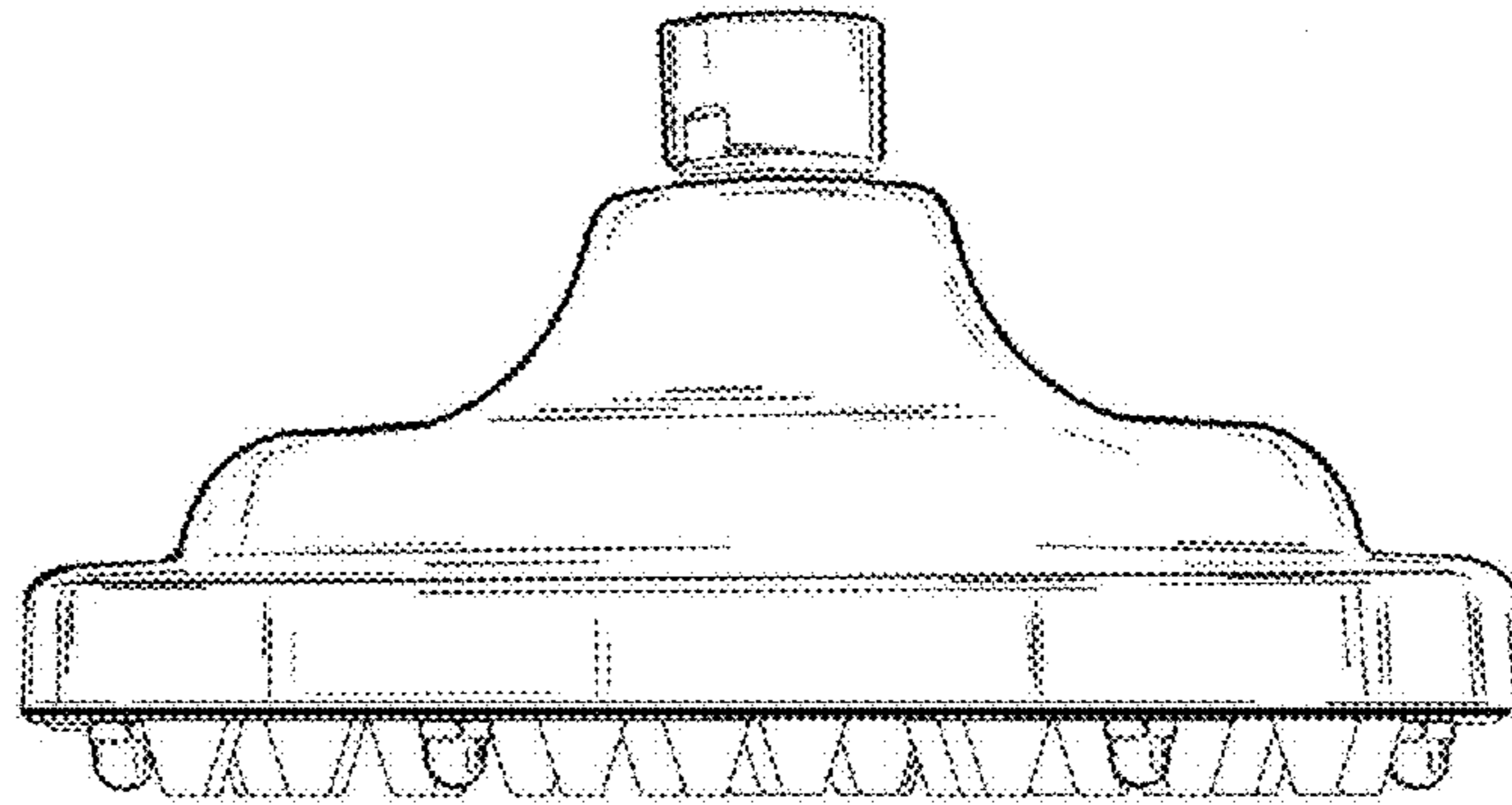


FIG. 4

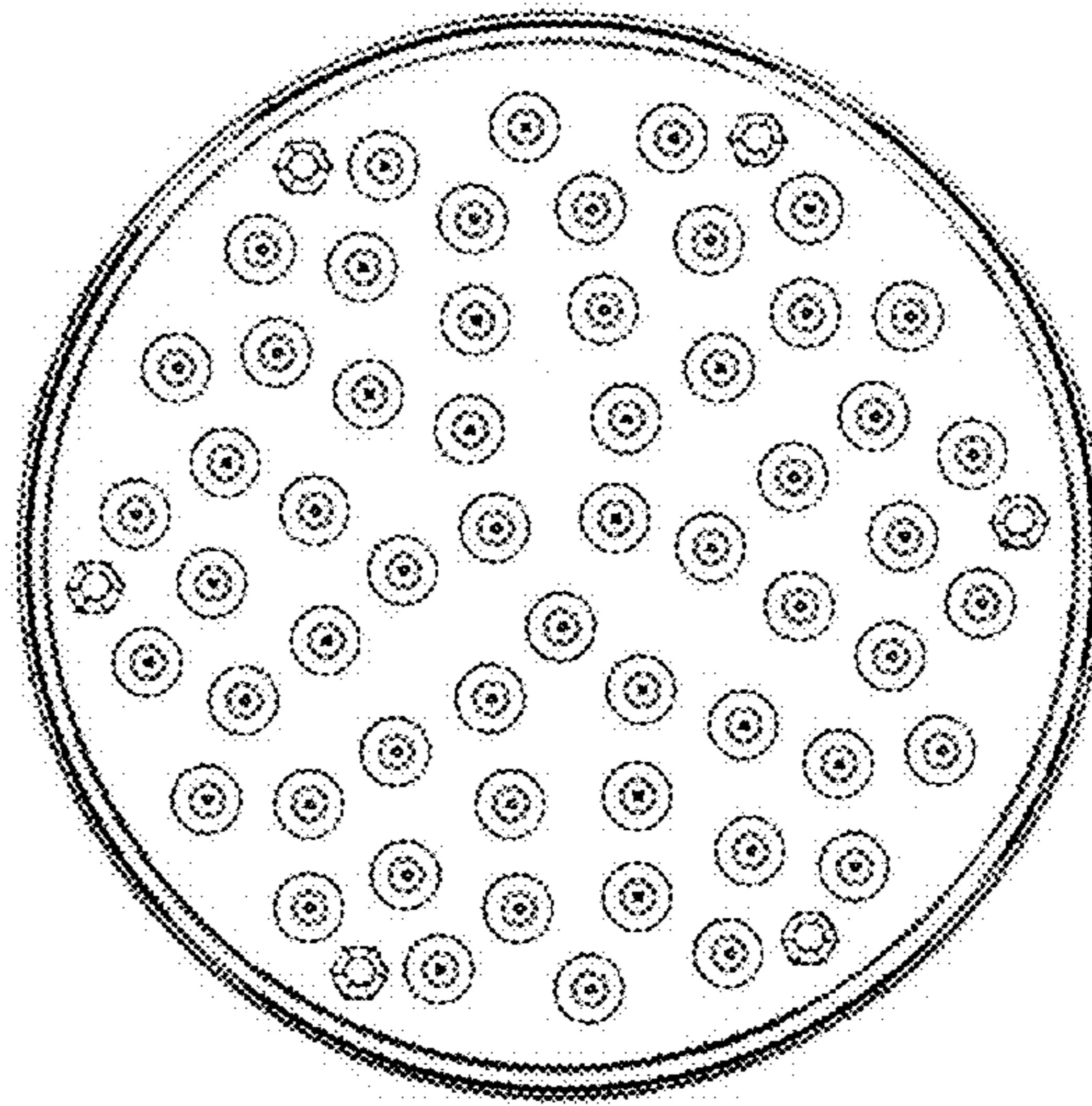


FIG. 5

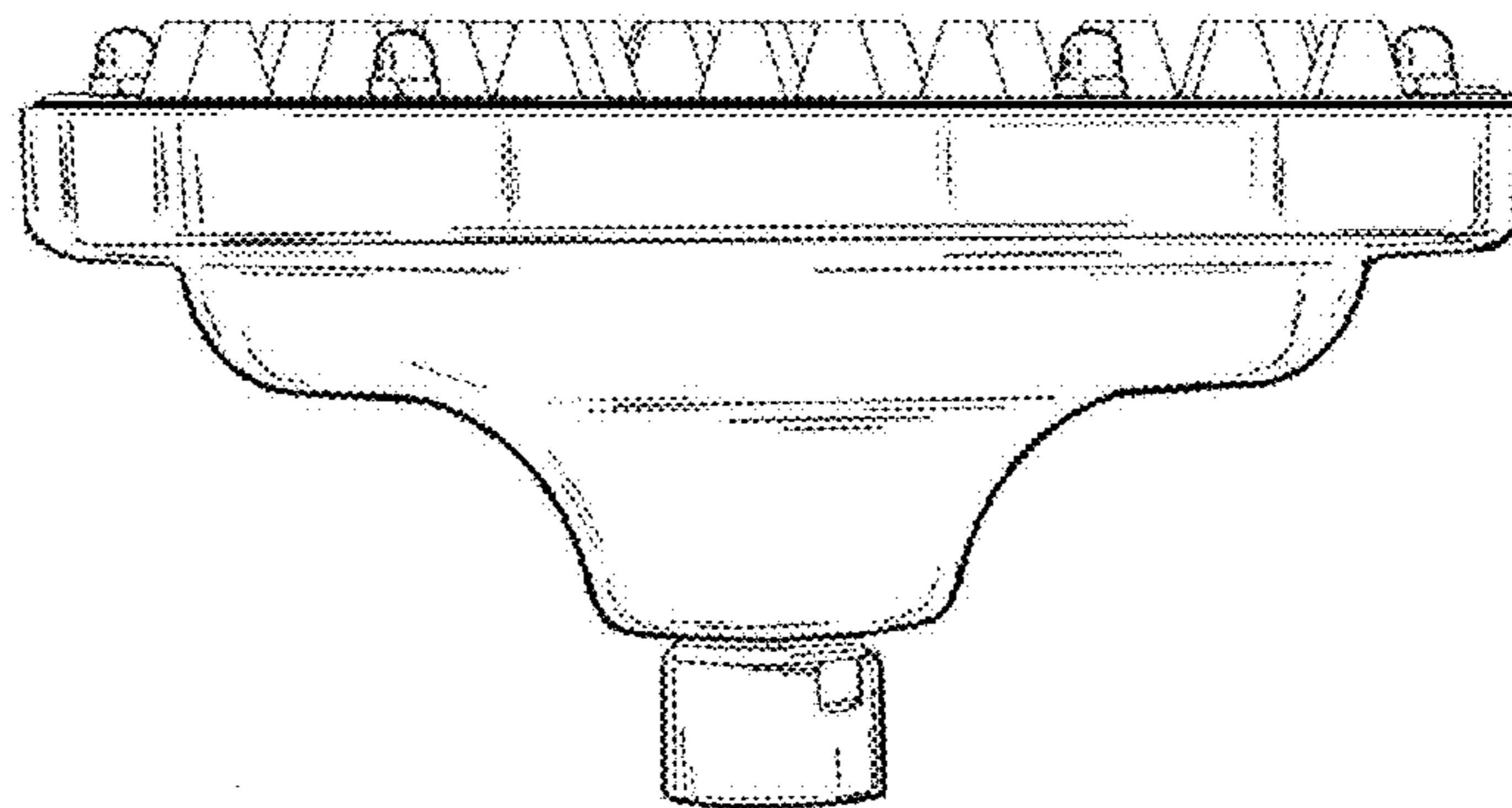


FIG. 6

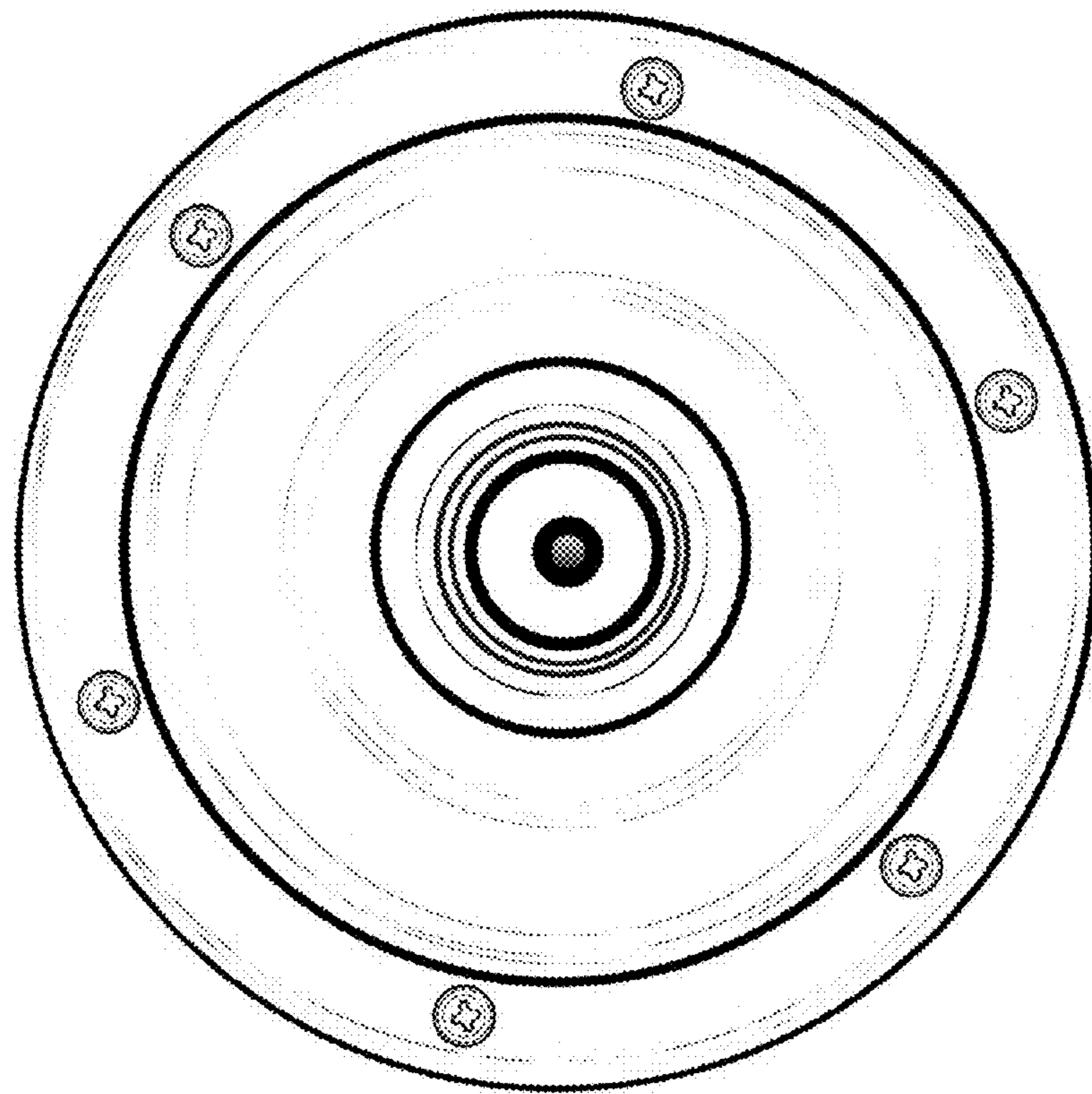


FIG.7