



US00D772380S

(12) **United States Design Patent**  
**Fontaine**

(10) **Patent No.:** **US D772,380 S**

(45) **Date of Patent:** **\*\* Nov. 22, 2016**

(54) **HOSE END SPRAYER**

(71) Applicant: **CHAPIN MANUFACTURING, INC.**,  
Batavia, NY (US)

(72) Inventor: **James R. Fontaine**, Marilla, NY (US)

(73) Assignee: **CHAPIN MANUFACTURING, INC.**,  
Batavia, NY (US)

(\*\*) Term: **15 Years**

(21) Appl. No.: **29/536,021**

(22) Filed: **Aug. 12, 2015**

(51) **LOC (10) Cl.** ..... **23-01**

(52) **U.S. Cl.**  
USPC ..... **D23/225**

(58) **Field of Classification Search**  
USPC ..... D23/213, 202, 225; 239/302, 308, 310,  
239/332-3  
CPC .. B05B 7/2408; B05B 7/2421; B05B 9/0861  
See application file for complete search history.

(56) **References Cited**

**U.S. PATENT DOCUMENTS**

2,200,675	A *	5/1940	Northcutt	.....	B05B 7/2408 137/264
3,042,310	A *	7/1962	Franke	.....	B05B 7/2408 239/142
D206,008	S *	10/1966	Stork	.....	D23/225
3,880,356	A *	4/1975	Chandler	.....	B05B 9/0833 222/5
D296,813	S	7/1988	Ellison		
D305,452	S *	1/1990	Morgan	.....	D23/225
D331,095	S *	11/1992	Steinberg	.....	D23/225
5,226,600	A *	7/1993	Frank	.....	B05B 1/3046 137/854
5,307,994	A *	5/1994	Hieronymus	.....	B05B 7/2408 137/587
6,367,663	B1	4/2002	Condon et al.		
7,703,704	B2 *	4/2010	Gohring	.....	B05B 7/2408 220/4.07

8,308,083	B2 *	11/2012	Woodgate	.....	B05B 1/3046 239/296
D692,531	S *	10/2013	Li	.....	D23/225
D697,583	S *	1/2014	Schmon	.....	D23/225
D709,988	S *	7/2014	Ford	.....	D23/213
8,789,770	B2 *	7/2014	Johnson	.....	B05B 7/02 239/526
8,814,062	B2 *	8/2014	Lin	.....	B05B 3/06 239/251
8,844,840	B2 *	9/2014	Lawrence	.....	B05B 7/2408 220/212

**OTHER PUBLICATIONS**

ahapin International, Inc., Professional All Purpose Sprayer with Metering Dial, Model G362, May 2015.  
Chapin International, Inc., Select 'N Spray No Pre-Mix Sprayer, Model G499, May 2015.  
Chapin International, Inc., Fertilizing Feeder, Model G405, May 2015.  
Chapin International, Inc., Sprayer Catalog, p. 10, 2014.

\* cited by examiner

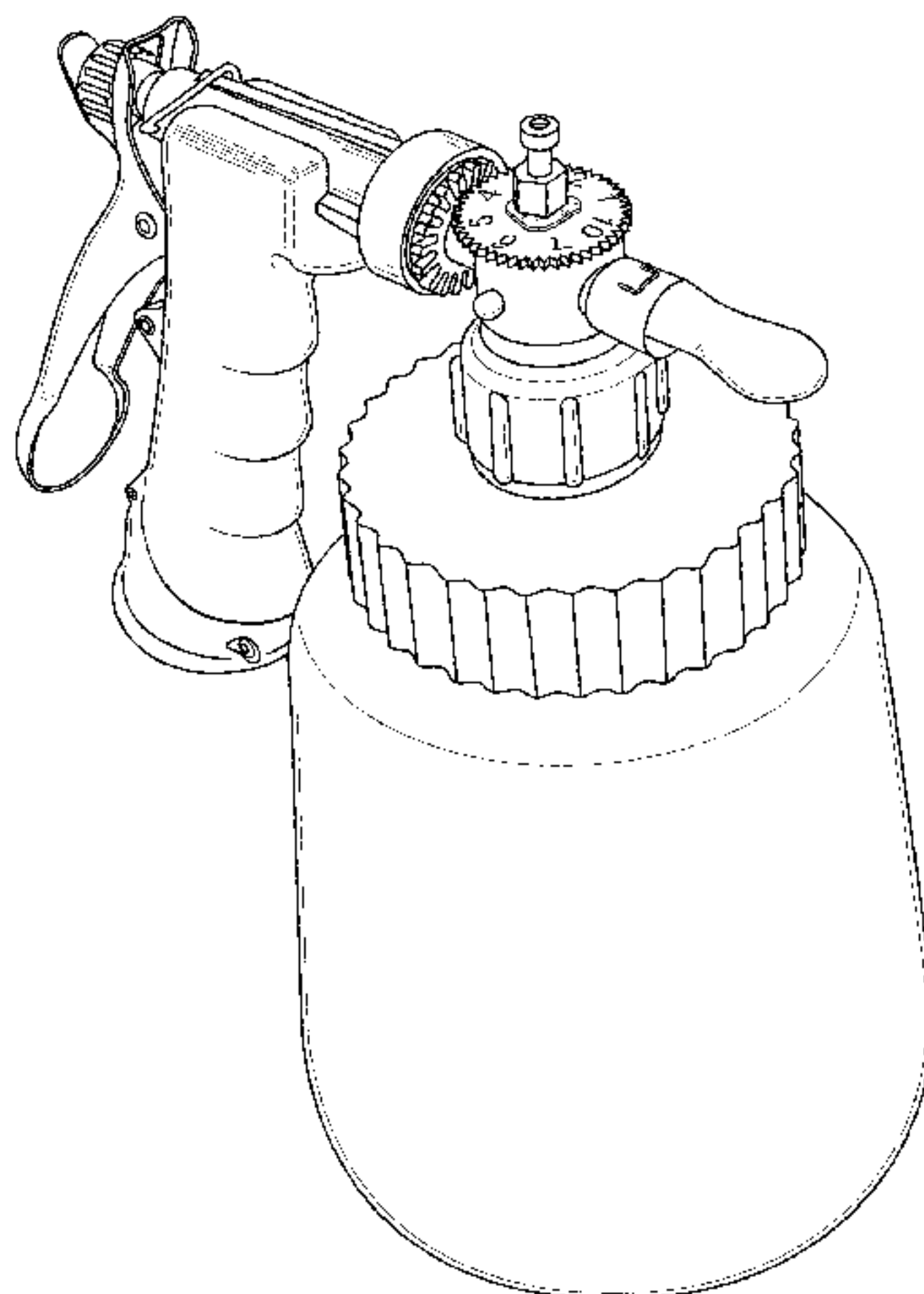
*Primary Examiner* — Robin V Webster  
(74) *Attorney, Agent, or Firm* — Kenneth J. Lukacher  
Law Group

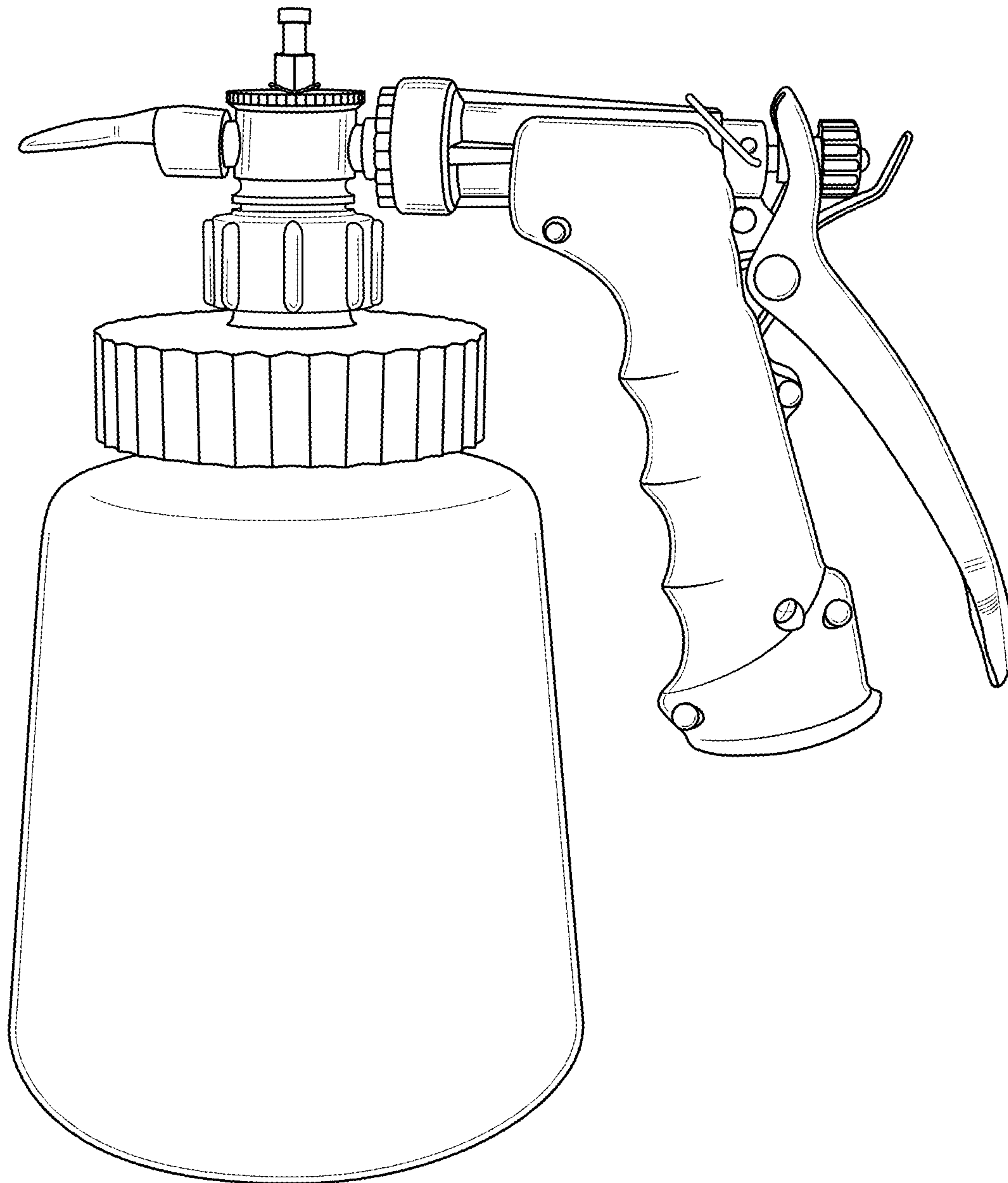
(57) **CLAIM**  
The ornamental design for a hose end sprayer, as shown and described.

**DESCRIPTION**

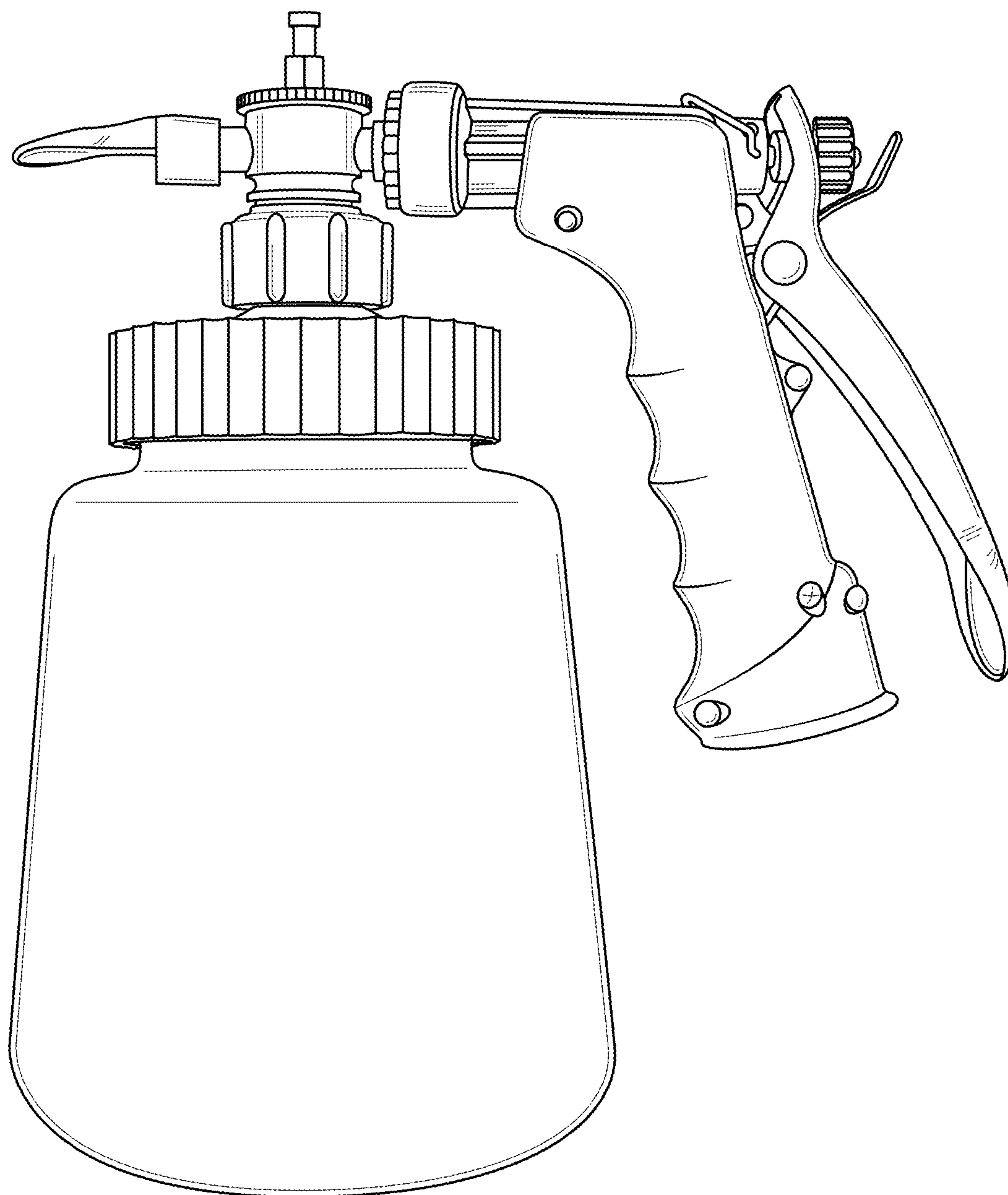
FIG. 1 is a perspective view looking downwardly from the left side of a hose end sprayer in accordance with my design; FIG. 2 is a left side view thereof, the right side view thereof being a mirror image of the left side view; FIG. 3 is a front view thereof; FIG. 4 is a perspective view looking downwardly from the rear view thereof; FIG. 5 is a top view thereof; FIG. 6 is a bottom view thereof; FIG. 7 is a perspective view looking downwardly from the right side of the front thereof; and, FIG. 8 is a perspective view looking downwardly from the right side of the rear thereof.

**1 Claim, 8 Drawing Sheets**





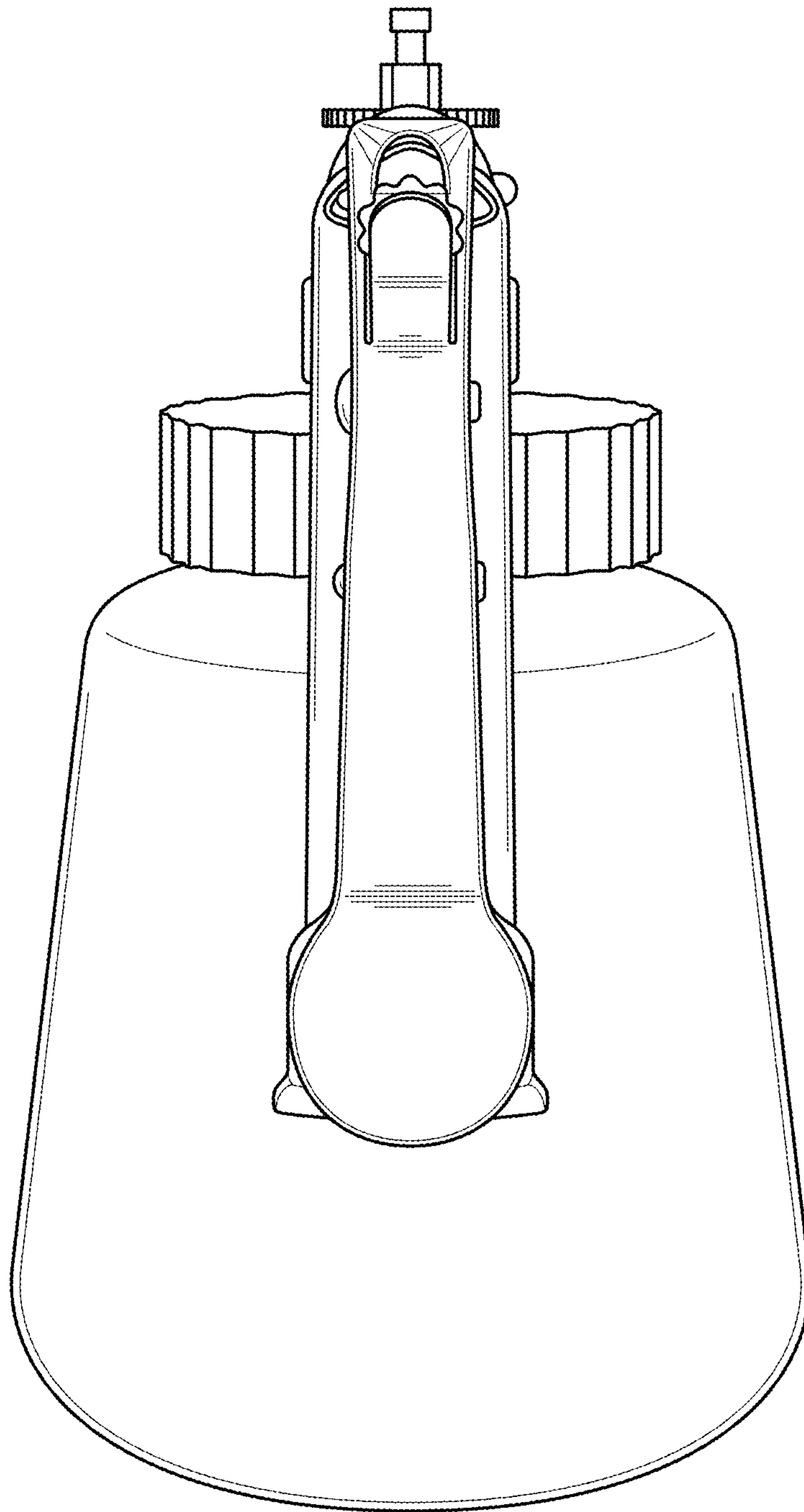
**FIG. 1**



**FIG. 2**

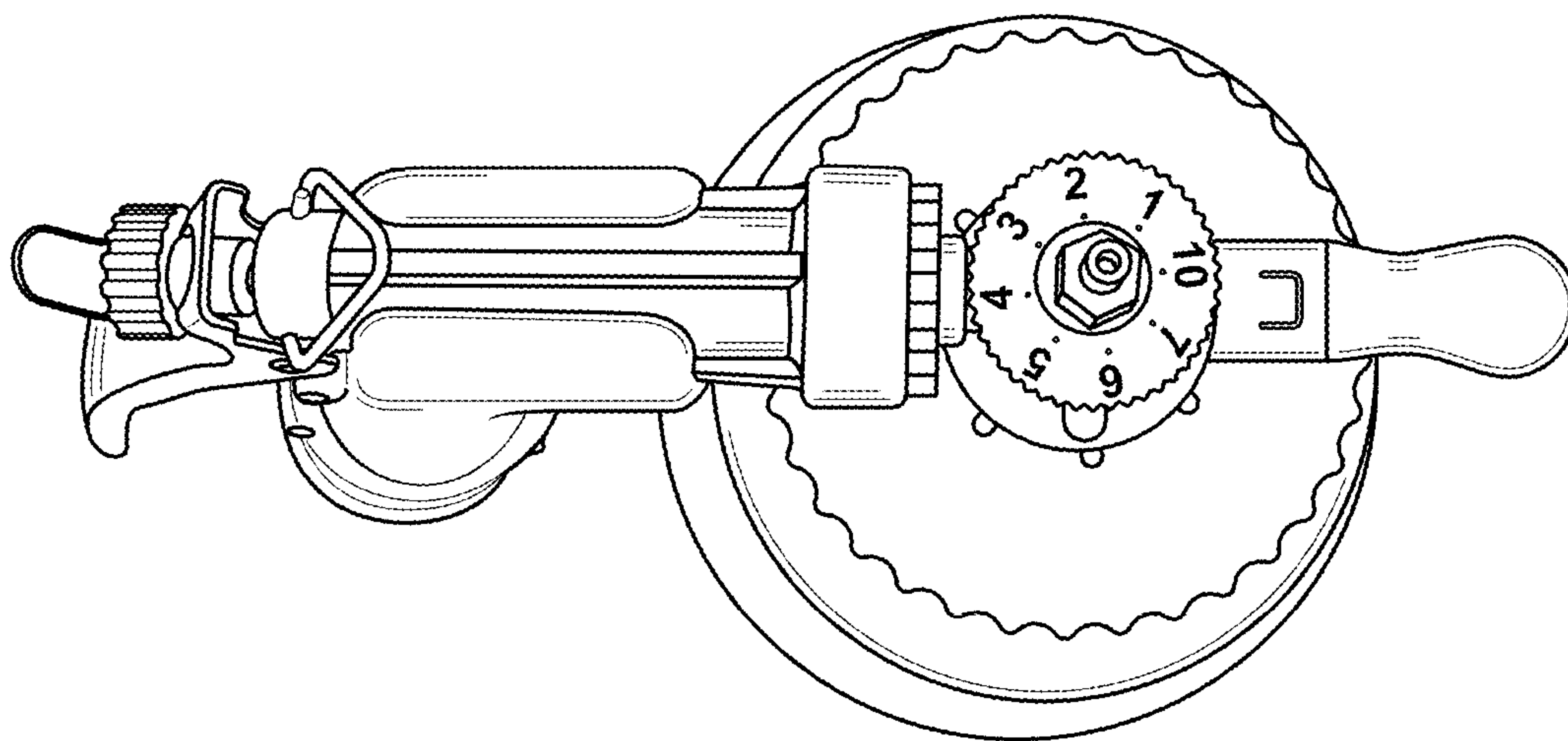


**FIG. 3**

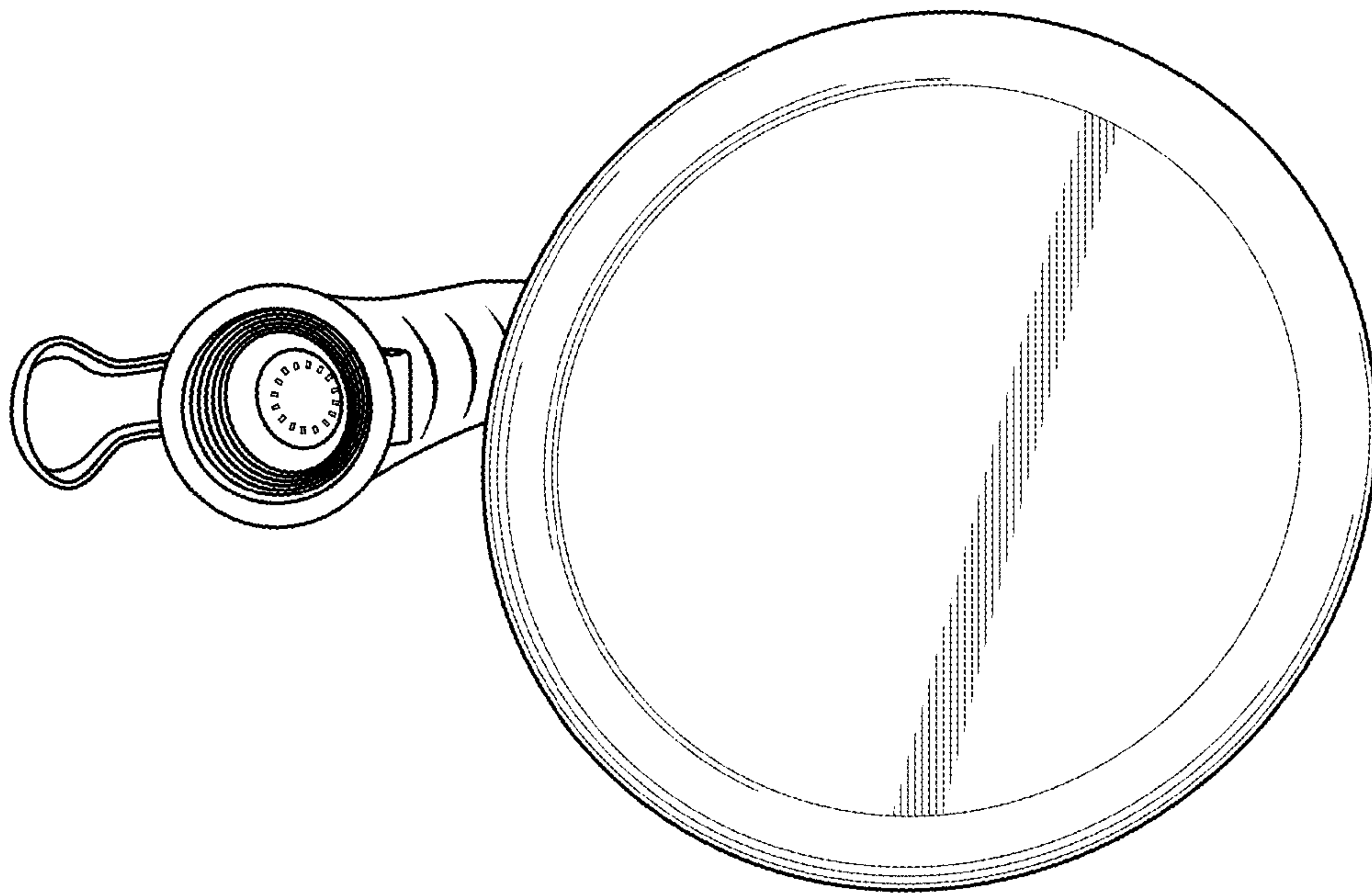


**FIG. 4**

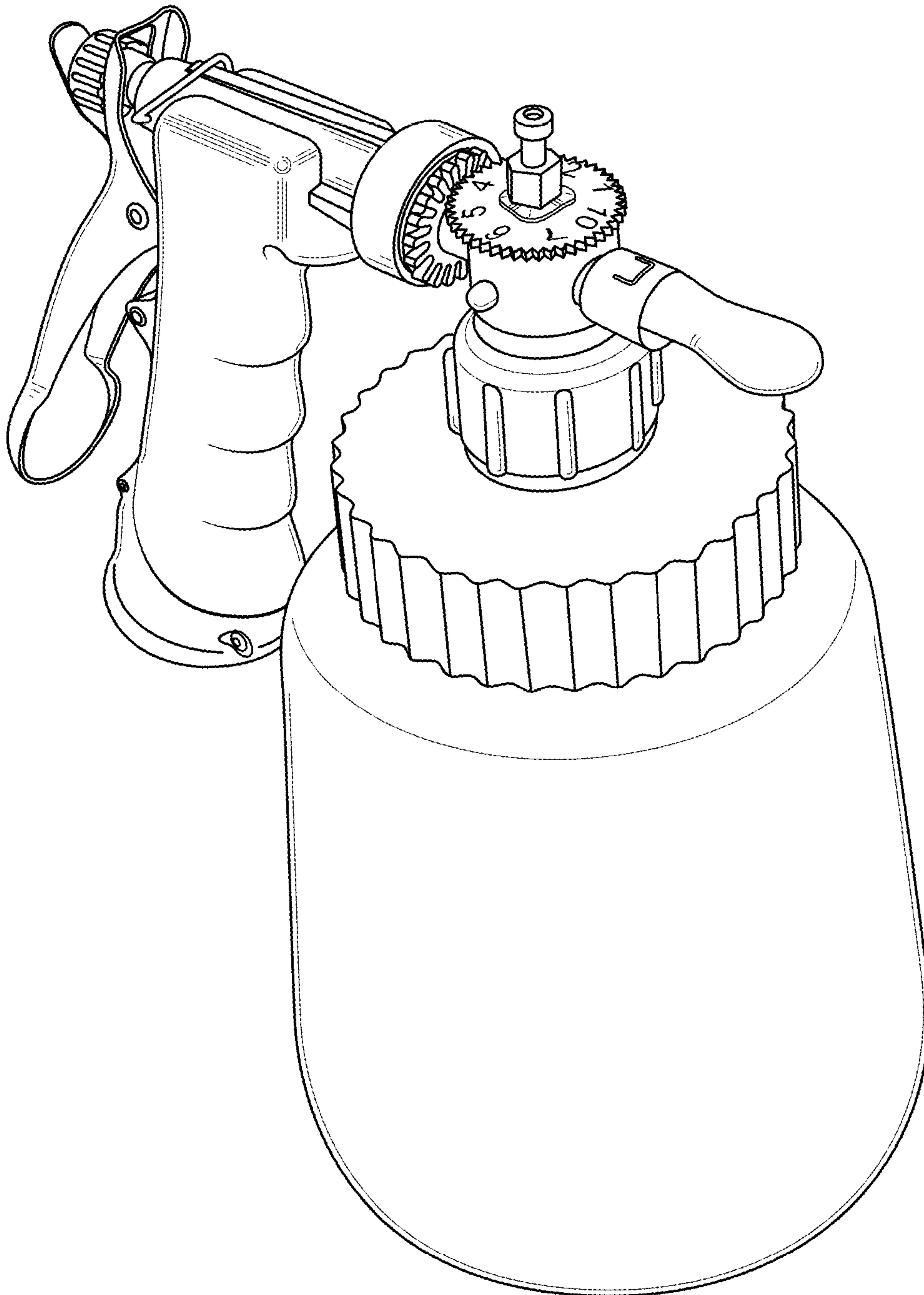




**FIG. 5**

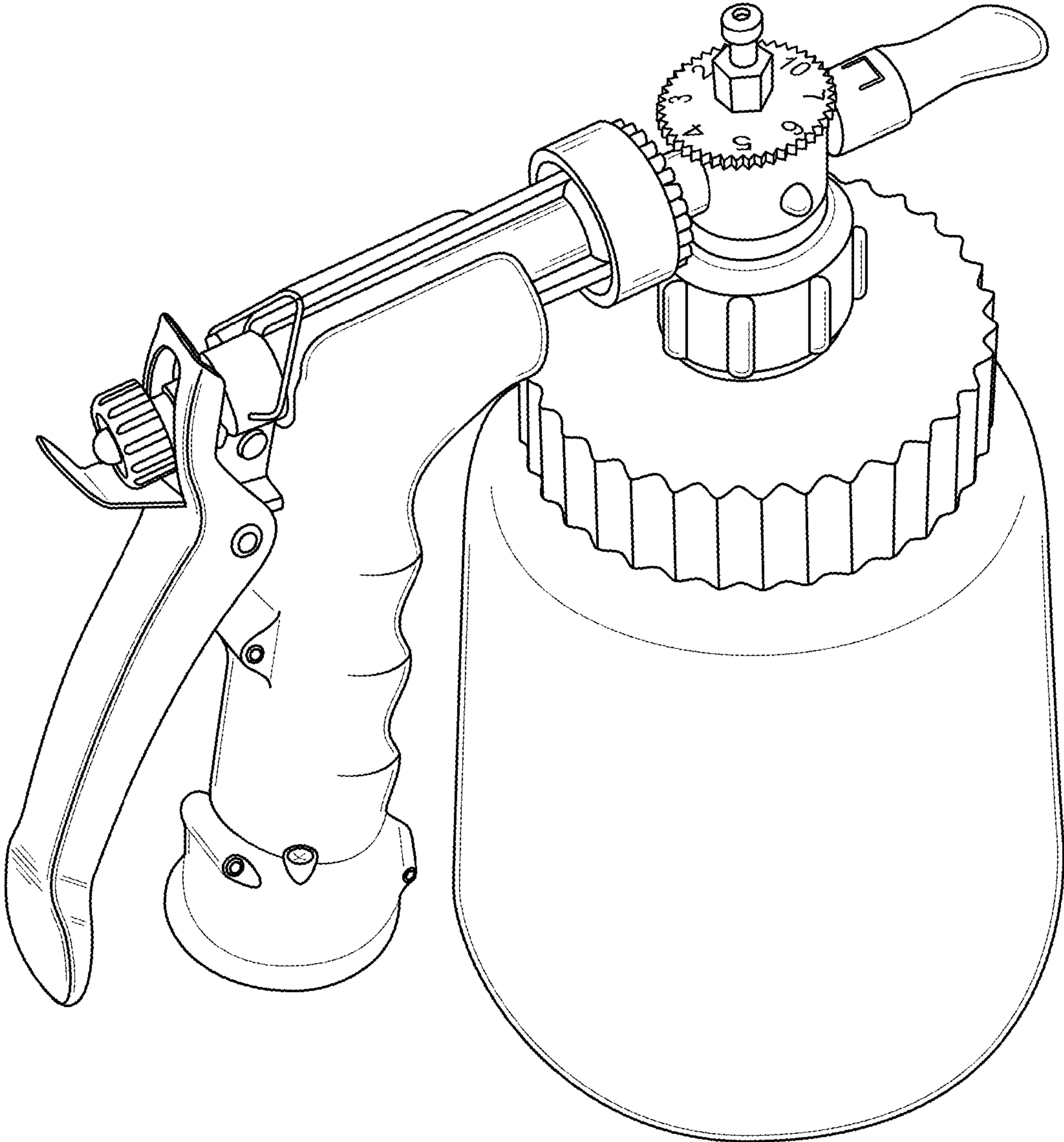


**FIG. 6**



**FIG. 7**





**FIG. 8**