



US00D772377S

(12) **United States Design Patent** (10) **Patent No.:** **US D772,377 S**
Gerhards et al. (45) **Date of Patent:** **** Nov. 22, 2016**

(54) **TOILET RIM BLOCKS**
(71) Applicant: **HENKEL AG & CO. KGAA**,
Düsseldorf (DE)
(72) Inventors: **Katja Gerhards**, Düsseldorf (DE);
Bodo Warden, Mönchengladbach (DE)
(73) Assignee: **Henkel AG & Co. KGaA**, Duesseldorf
(DE)
(**) Term: **15 Years**
(21) Appl. No.: **35/500,124**
(22) Filed: **Jun. 11, 2015**
(80) **Hague Agreement Data**
Int. Filing Date: **Jun. 11, 2015**
Int. Reg. No.: **DM/087341**
Int. Reg. Date: **Jun. 11, 2015**
Int. Reg. Pub. Date: **Sep. 11, 2015**

(51) **LOC (10) Cl.** **23-01**
(52) **U.S. Cl.**
USPC **D23/208**
(58) **Field of Classification Search**
USPC D23/208, 355-369; 261/DIG. 17,
261/DIG. 42, DIG. 65, DIG. 88, DIG. 89;
239/34, 44, 53, 55, 56, 326; 392/386,
392/390, 392, 394, 395; D21/484, 499,
D21/503-505
CPC A61L 9/00; A61L 9/02; A61L 9/03;
A61L 9/032; A61L 9/035; A61L 9/04;
A61L 9/12; A61L 9/22
See application file for complete search history.

(56) **References Cited**
U.S. PATENT DOCUMENTS

D212,420 S * 10/1968 Wilson D23/368
D212,753 S * 11/1968 Tughan D23/369

D506,805 S * 6/2005 Nguyen D23/208
D507,628 S * 7/2005 McLellan D23/208
D508,106 S * 8/2005 Nguyen D23/208
D512,480 S * 12/2005 Nguyen D23/208
D520,103 S * 5/2006 Johnson D23/208
D523,923 S * 6/2006 Nguyen D23/208
D548,305 S * 8/2007 King D23/208
D556,854 S * 12/2007 Cheung D23/208
D613,368 S * 4/2010 Padain D23/208
D655,778 S * 3/2012 Muhlhausen D23/208
D656,575 S * 3/2012 Muhlhausen D23/208
D656,576 S * 3/2012 Muhlhausen D23/208
D659,793 S * 5/2012 Muhlhausen D23/208
D679,778 S * 4/2013 Gerhards D23/208
D689,167 S * 9/2013 Gerhards D23/208
D720,427 S * 12/2014 Wang D23/208
D720,428 S * 12/2014 Wang D23/208
D720,830 S * 1/2015 Wang D23/208
D748,222 S * 1/2016 Gerhards D23/208
D751,683 S * 3/2016 Furner D23/368
2012/0047640 A1 * 3/2012 Warkotsch E03D 9/032
4/223

* cited by examiner

Primary Examiner — Keli L Hill

(74) *Attorney, Agent, or Firm* — P. Scott Smith

(57) **CLAIM**

The ornamental design for toilet rim blocks, as shown and described.

DESCRIPTION

1. Toilet Rim Block

FIG. 1.1 is a front perspective view of toilet rim blocks, embodying our new design;

FIG. 1.2 is a front elevation view thereof;

FIG. 1.3 is a rear elevation view thereof;

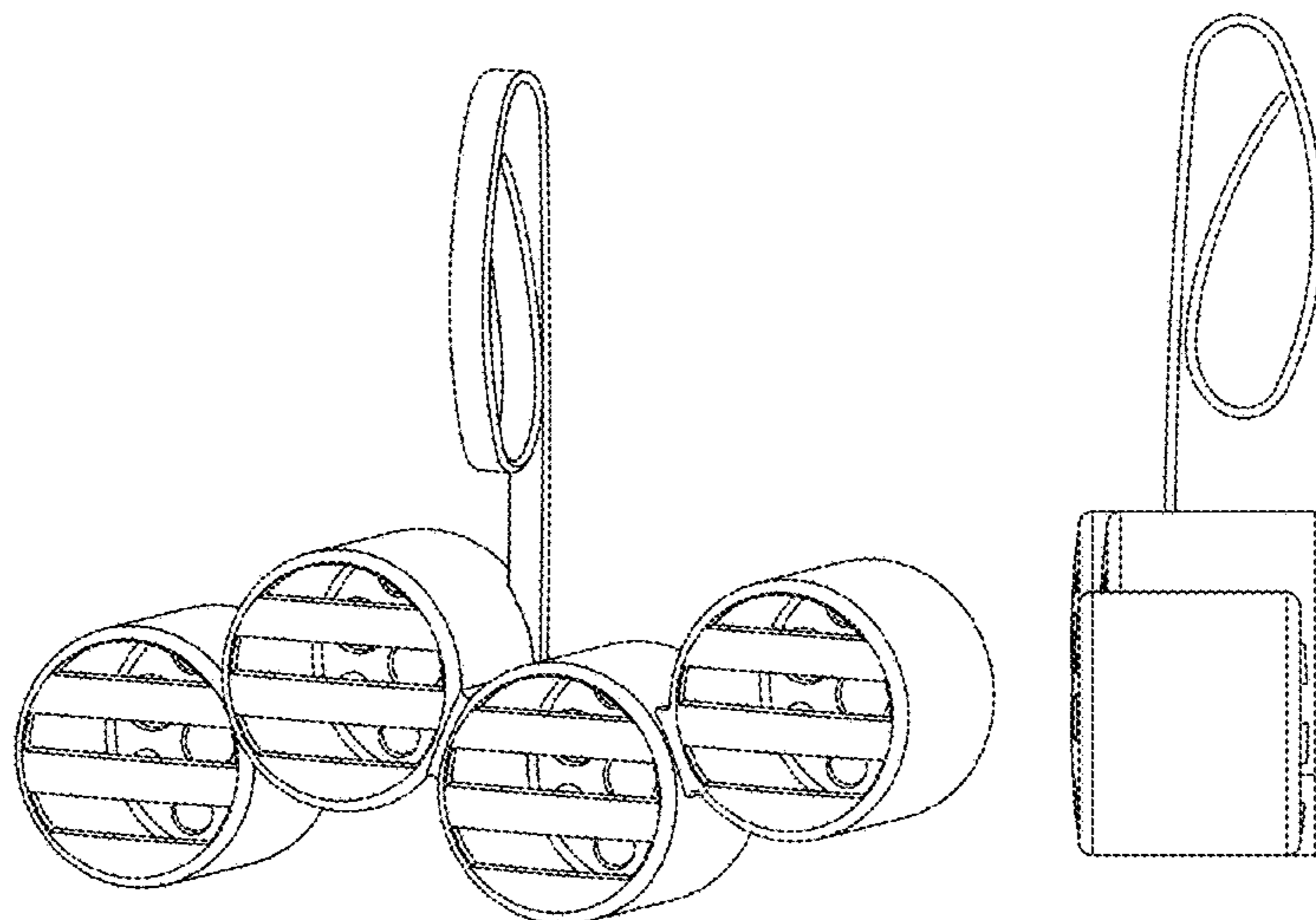
FIG. 1.4 is a side elevation view thereof;

FIG. 1.5 is an opposite side elevation view thereof;

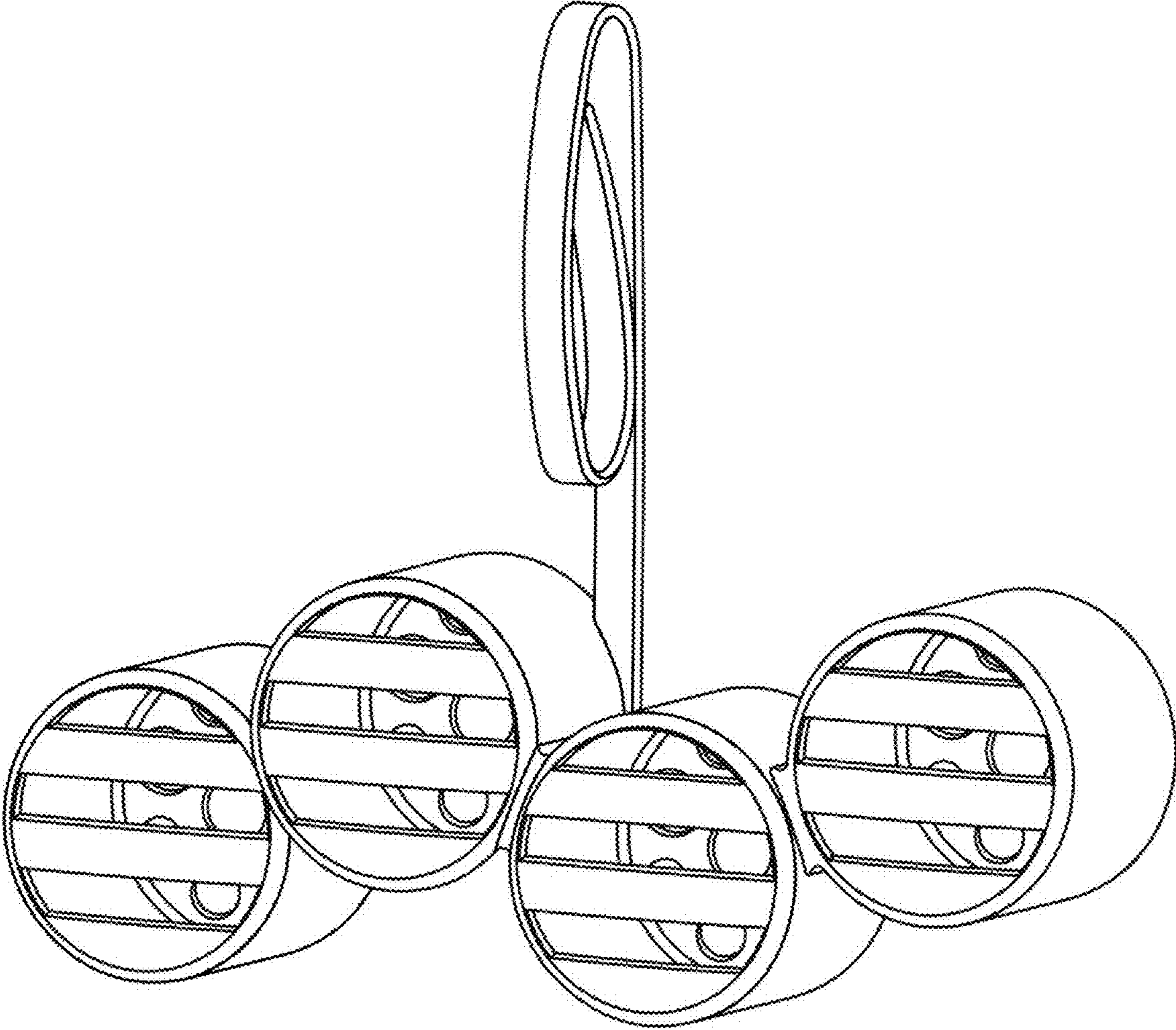
FIG. 1.6 is a top plan view thereof; and

FIG. 1.7 is a bottom plan view thereof.

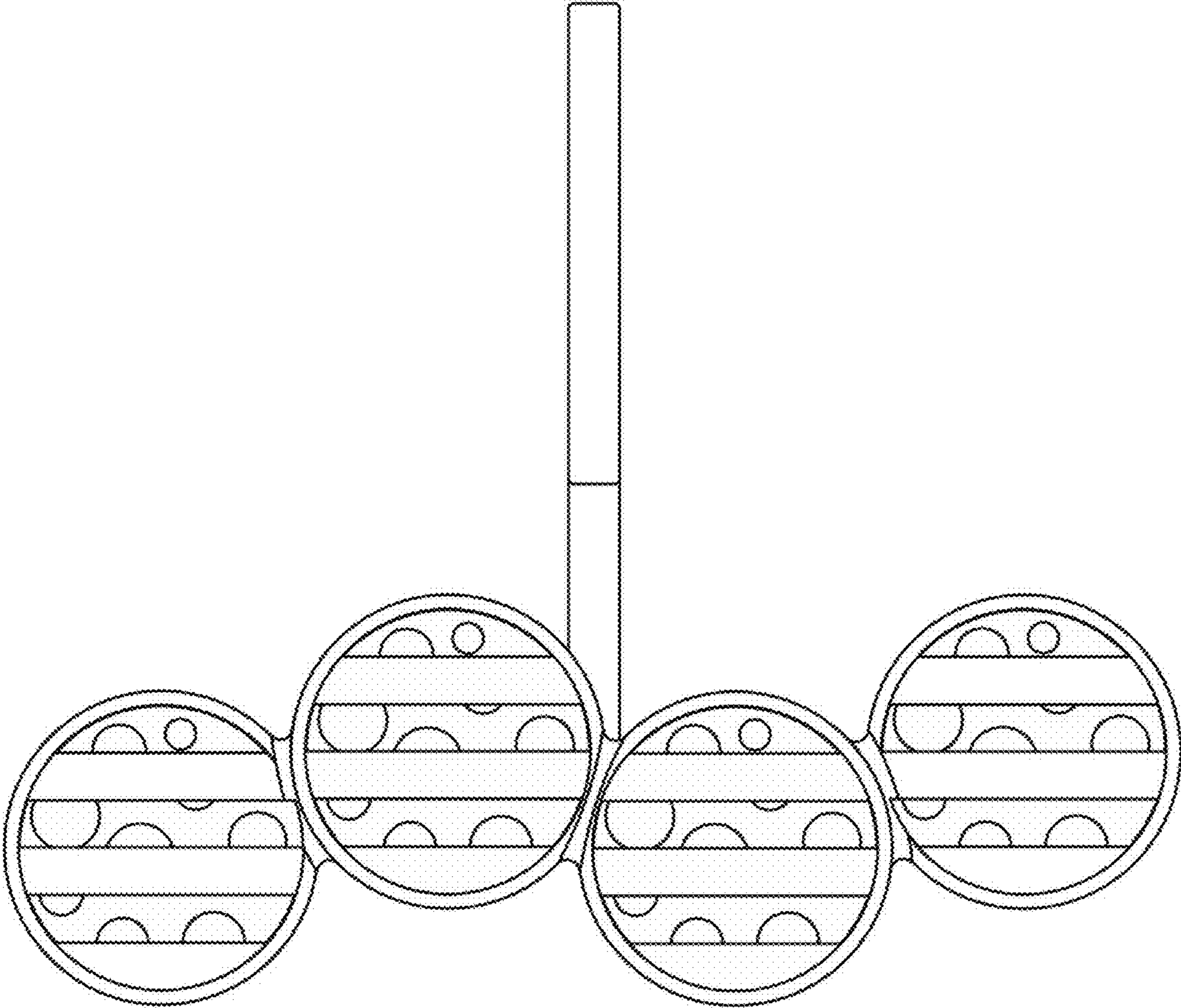
1 Claim, 7 Drawing Sheets



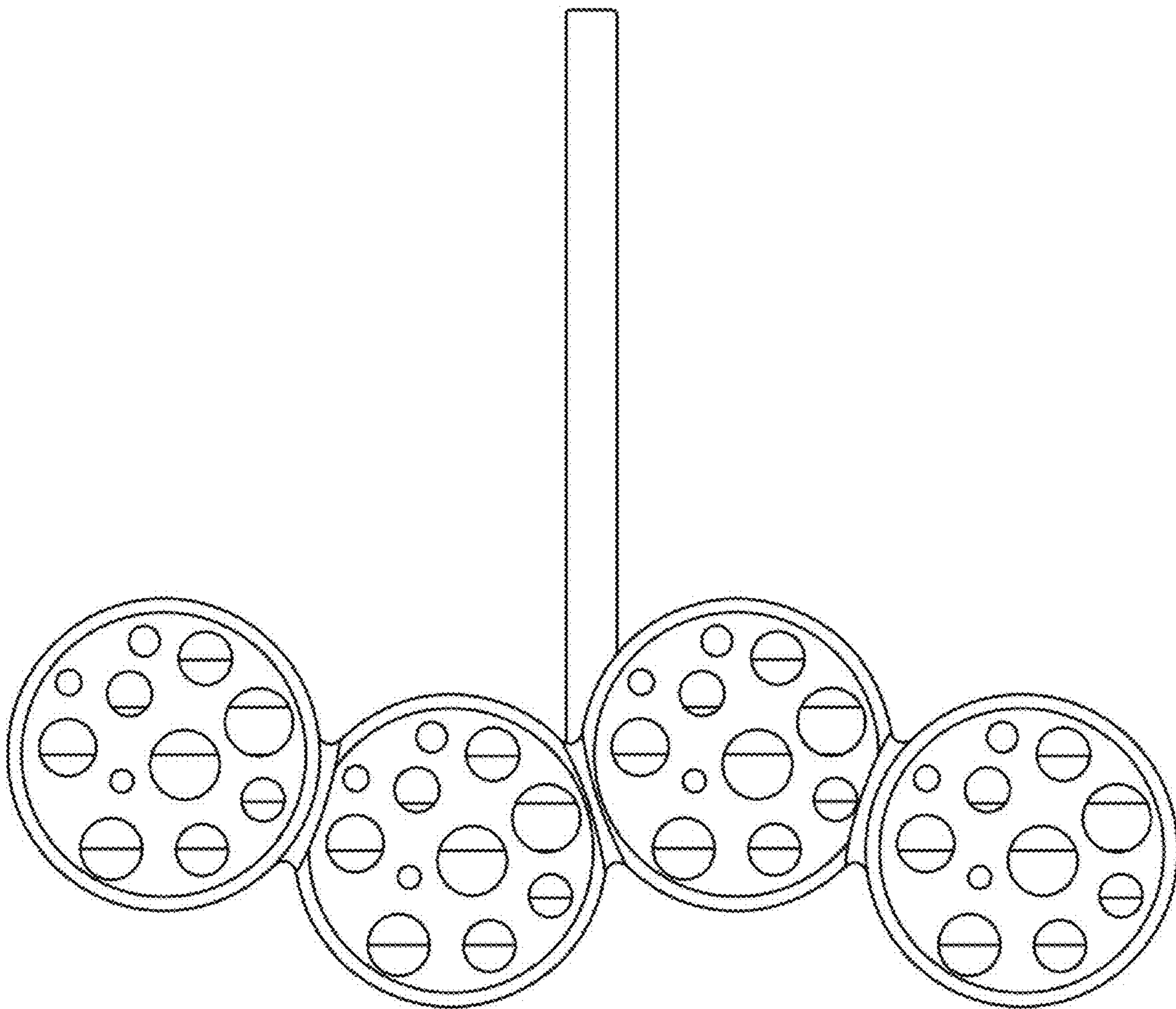
1.1



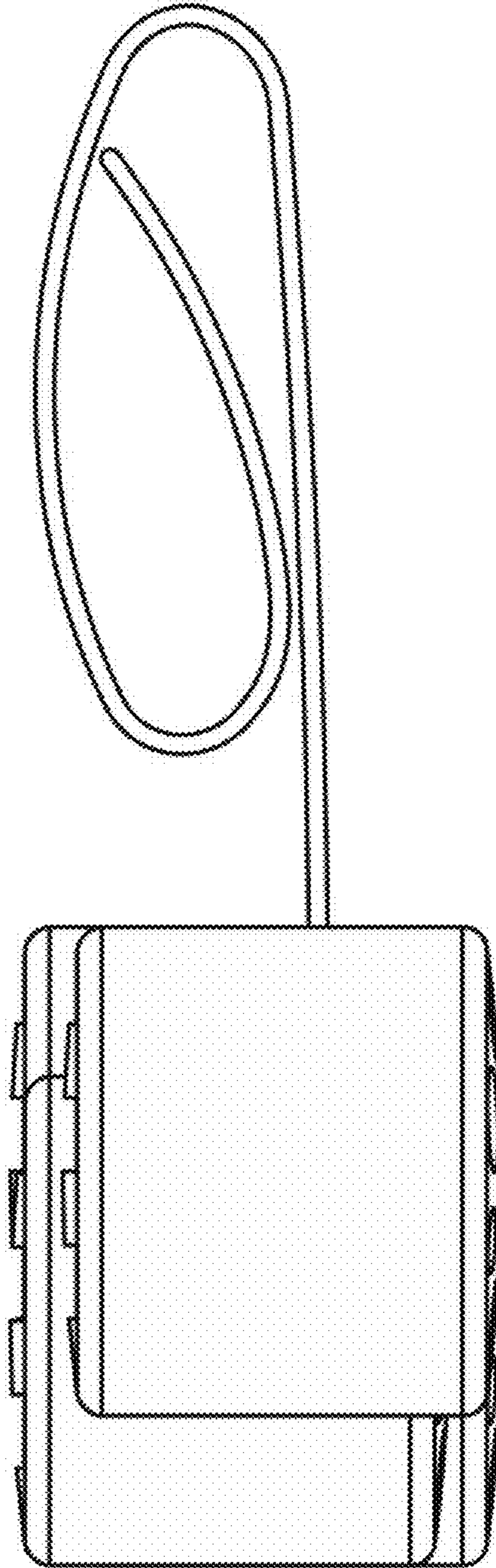
1.2



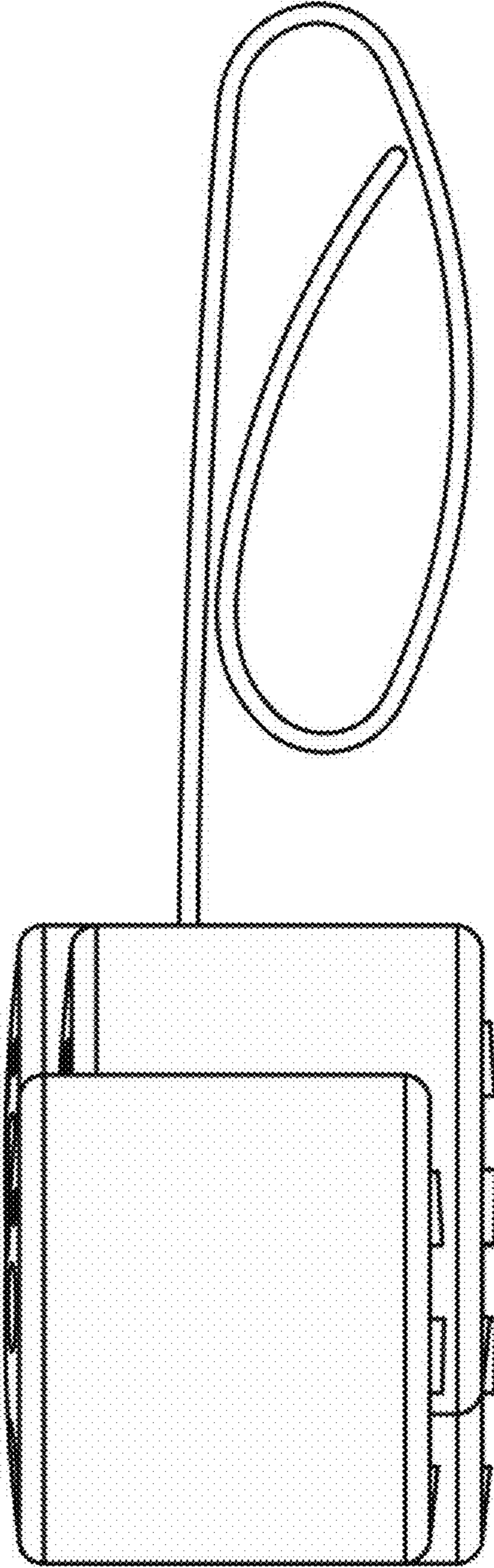
1.3



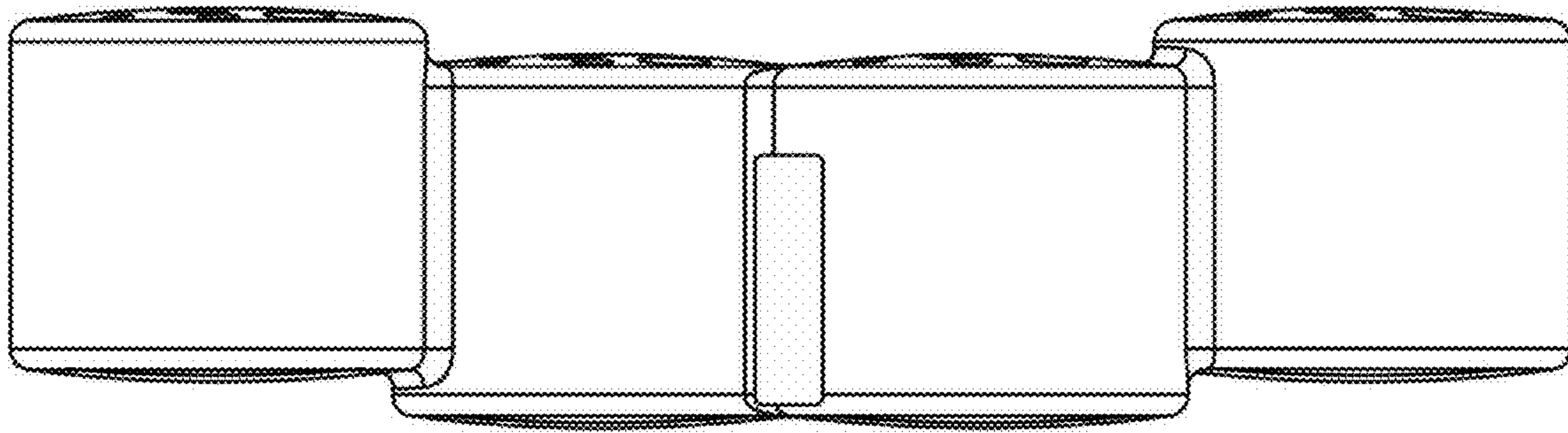
1.4



1.5



1.6



1.7

