



US00D772376S

(12) **United States Design Patent**  
**Gerhards et al.**

(10) **Patent No.:** **US D772,376 S**

(45) **Date of Patent:** **\*\* Nov. 22, 2016**

(54) **TOILET RIM BLOCKS**  
(71) Applicant: **HENKEL AG & CO. KGAA**,  
Düsseldorf (DE)  
(72) Inventors: **Katja Gerhards**, Düsseldorf (DE);  
**Bodo Warden**, Mönchengladbach (DE)  
(73) Assignee: **Henkel AG & Co. KGaA**, Duesseldorf  
(DE)  
(\*\*) Term: **15 Years**  
(21) Appl. No.: **35/500,084**  
(22) Filed: **May 19, 2015**  
(80) **Hague Agreement Data**  
Int. Filing Date: **May 19, 2015**  
Int. Reg. No.: **DM/087100**  
Int. Reg. Date: **May 19, 2015**  
Int. Reg. Pub. Date: **Aug. 14, 2015**

(51) **LOC (10) Cl.** ..... **23-01**  
(52) **U.S. Cl.**  
USPC ..... **D23/208**  
(58) **Field of Classification Search**  
USPC ..... D23/208, 355-369; 261/DIG. 17,  
261/DIG. 42, DIG. 65, DIG. 88, DIG. 89;  
239/34, 44, 53, 55, 56, 326; 392/386,  
392/390, 392, 394, 395; D21/484, 499,  
D21/503-505  
CPC ..... A61L 9/00; A61L 9/02; A61L 9/03;  
A61L 9/032; A61L 9/035; A61L 9/037;  
A61L 9/04; A61L 9/12; A61L 9/22  
See application file for complete search history.

(56) **References Cited**  
U.S. PATENT DOCUMENTS

D212,420 S \* 10/1968 Wilson ..... D23/368  
D212,753 S \* 11/1968 Tughan ..... D23/369

D506,805 S \* 6/2005 Nguyen ..... D23/208  
D507,628 S \* 7/2005 McLellan ..... D23/208  
D508,106 S \* 8/2005 Nguyen ..... D23/208  
D512,480 S \* 12/2005 Nguyen ..... D23/208  
D520,103 S \* 5/2006 Johnson ..... D23/208  
D523,923 S \* 6/2006 Nguyen ..... D23/208  
D548,305 S \* 8/2007 King ..... D23/208  
D556,854 S \* 12/2007 Cheung ..... D23/208  
D613,368 S \* 4/2010 Padain ..... D23/208  
D655,778 S \* 3/2012 Muhlhausen ..... D23/208  
D656,575 S \* 3/2012 Muhlhausen ..... D23/208  
D656,576 S \* 3/2012 Muhlhausen ..... D23/208  
D659,793 S \* 5/2012 Muhlhausen ..... D23/208  
D679,778 S \* 4/2013 Gerhards ..... D23/208  
D689,167 S \* 9/2013 Gerhards ..... D23/208  
D720,427 S \* 12/2014 Wang ..... D23/208  
D720,428 S \* 12/2014 Wang ..... D23/208  
D720,830 S \* 1/2015 Wang ..... D23/208  
D748,222 S \* 1/2016 Gerhards ..... D23/208  
D751,683 S \* 3/2016 Furner ..... D23/368  
2012/0047640 A1 \* 3/2012 Warkotsch ..... E03D 9/032  
4/223

\* cited by examiner

*Primary Examiner* — Keli L Hill

(74) *Attorney, Agent, or Firm* — P. Scott Smith

(57) **CLAIM**

The ornamental design for toilet rim blocks, as shown and described.

**DESCRIPTION**

**1. Toilet Rim Blocks**

FIG. 1.1 is a front perspective view of toilet rim blocks, embodying our new design;

FIG. 1.2 is a front elevation view thereof;

FIG. 1.3 is a rear elevation view thereof;

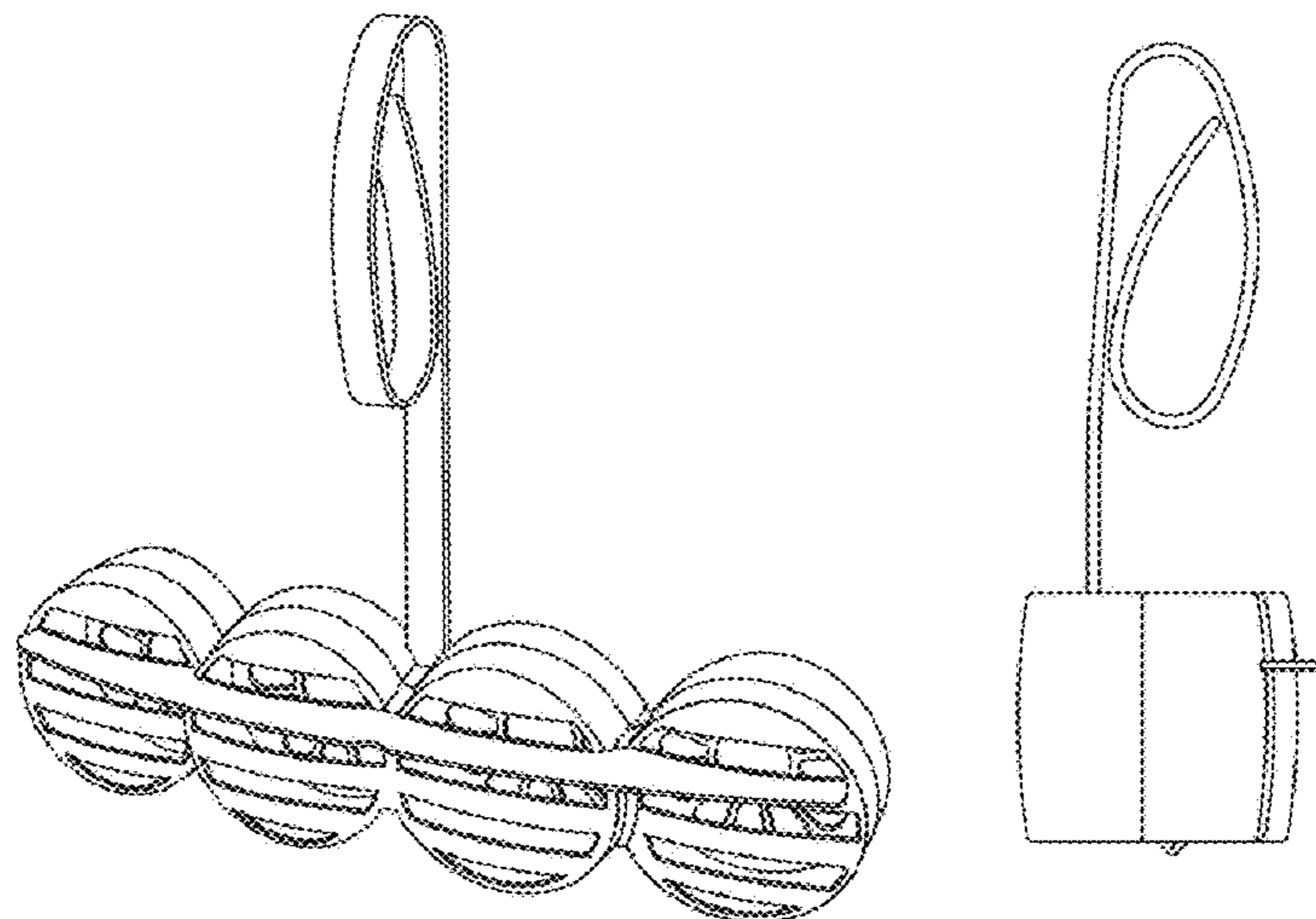
FIG. 1.4 is a side elevation view thereof;

FIG. 1.5 is an opposite side elevation view thereof;

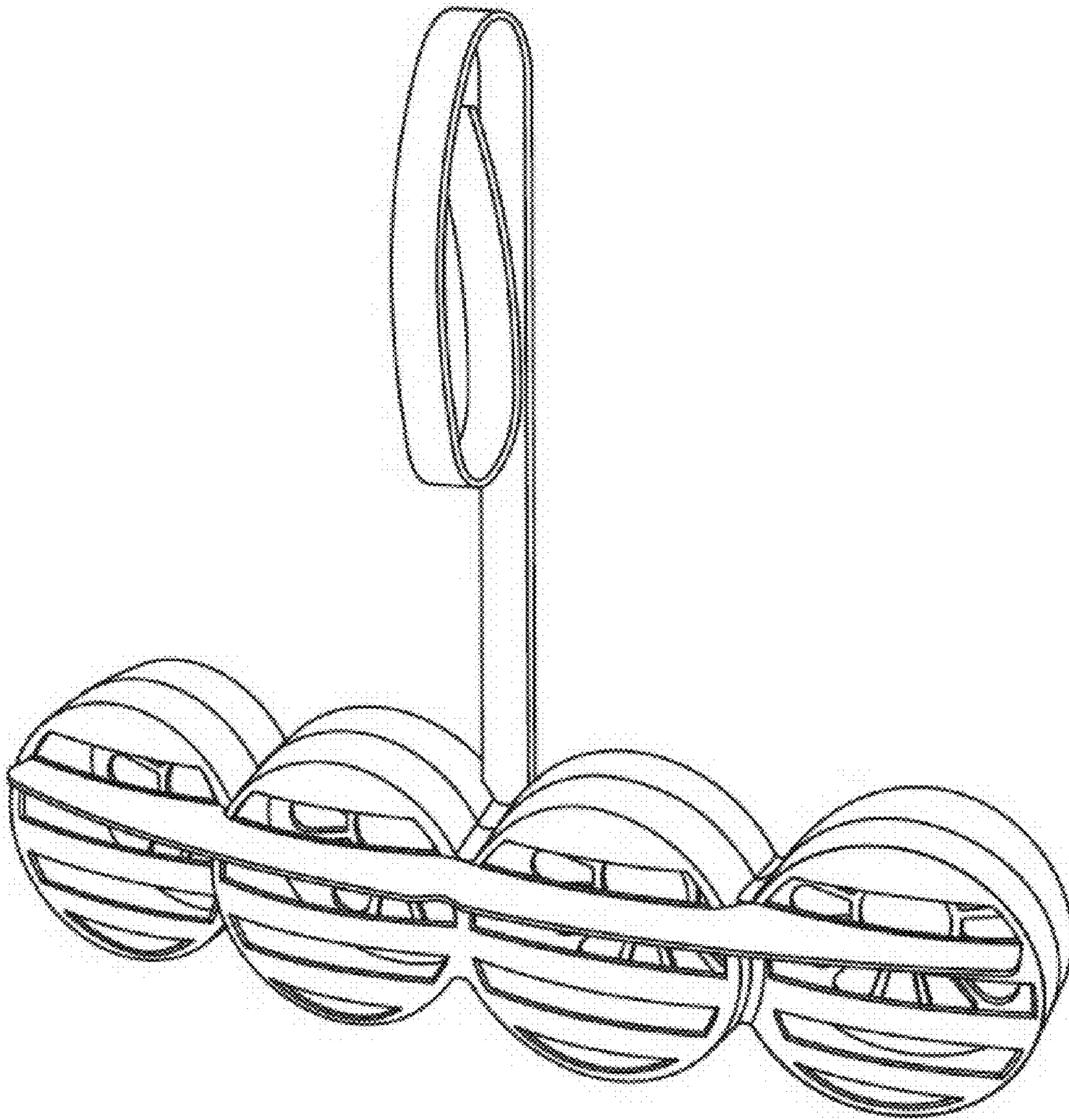
FIG. 1.6 is a top plan view thereof; and

FIG. 1.7 is a bottom plan view thereof.

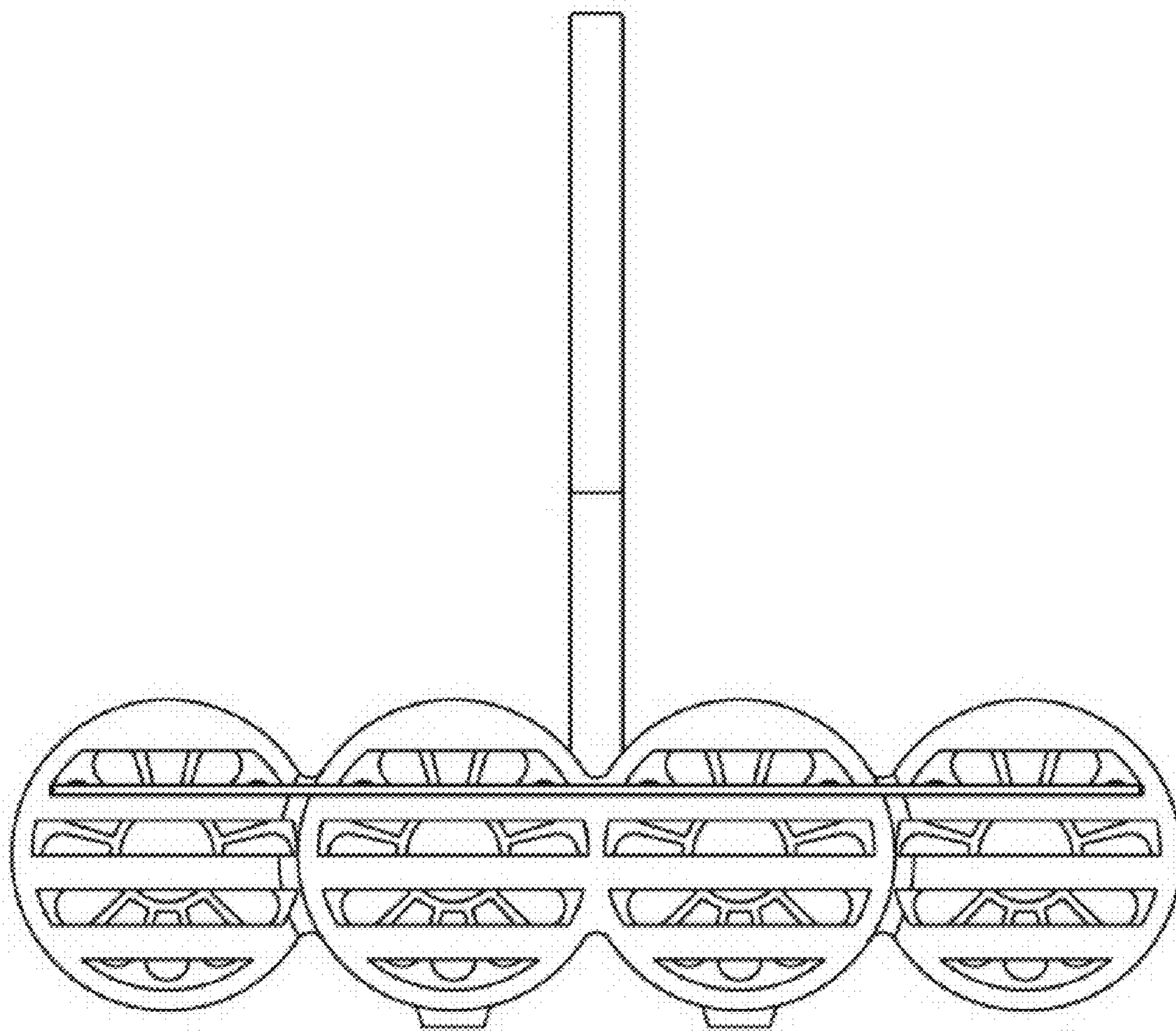
**1 Claim, 7 Drawing Sheets**



1.1

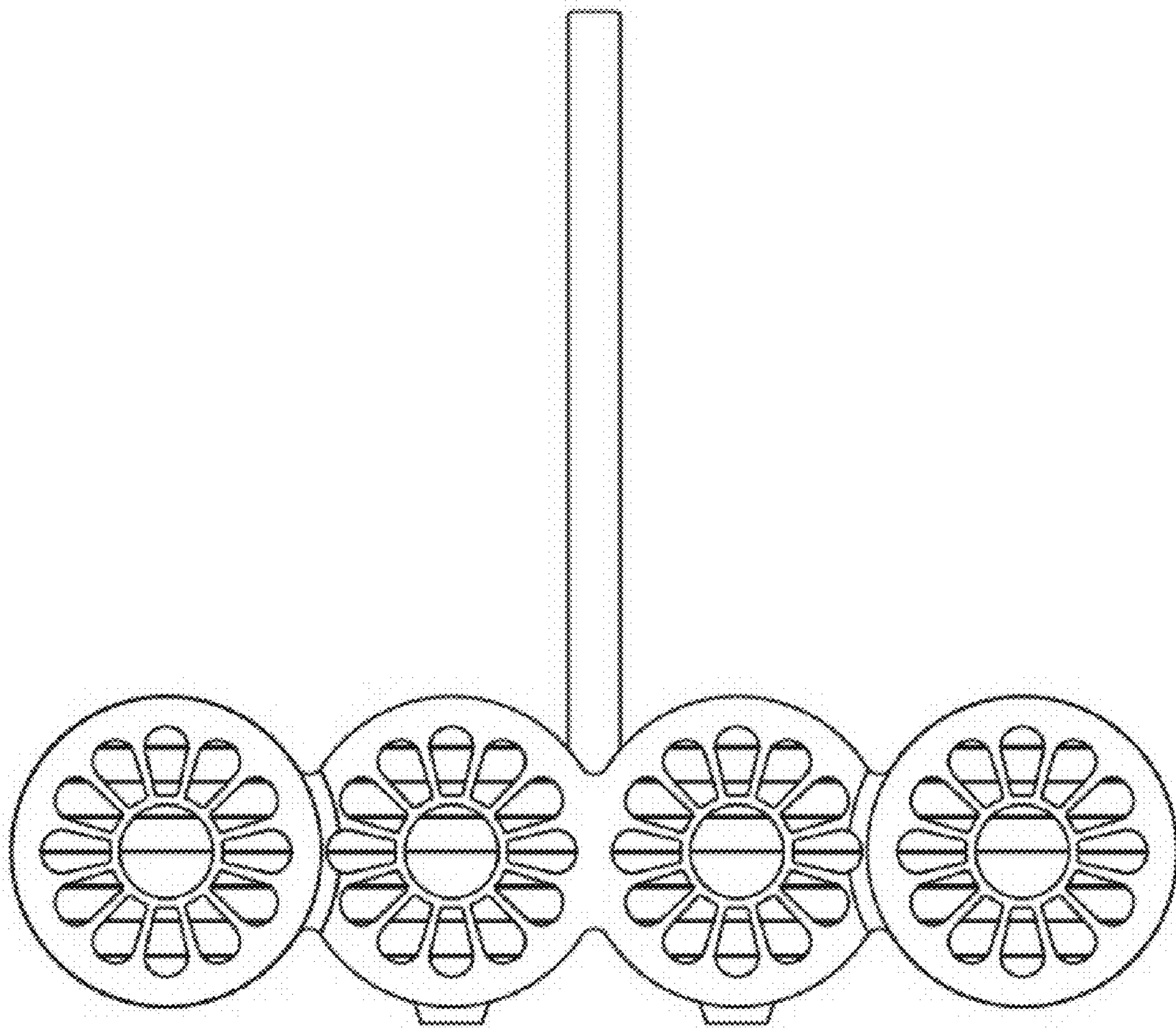


1.2

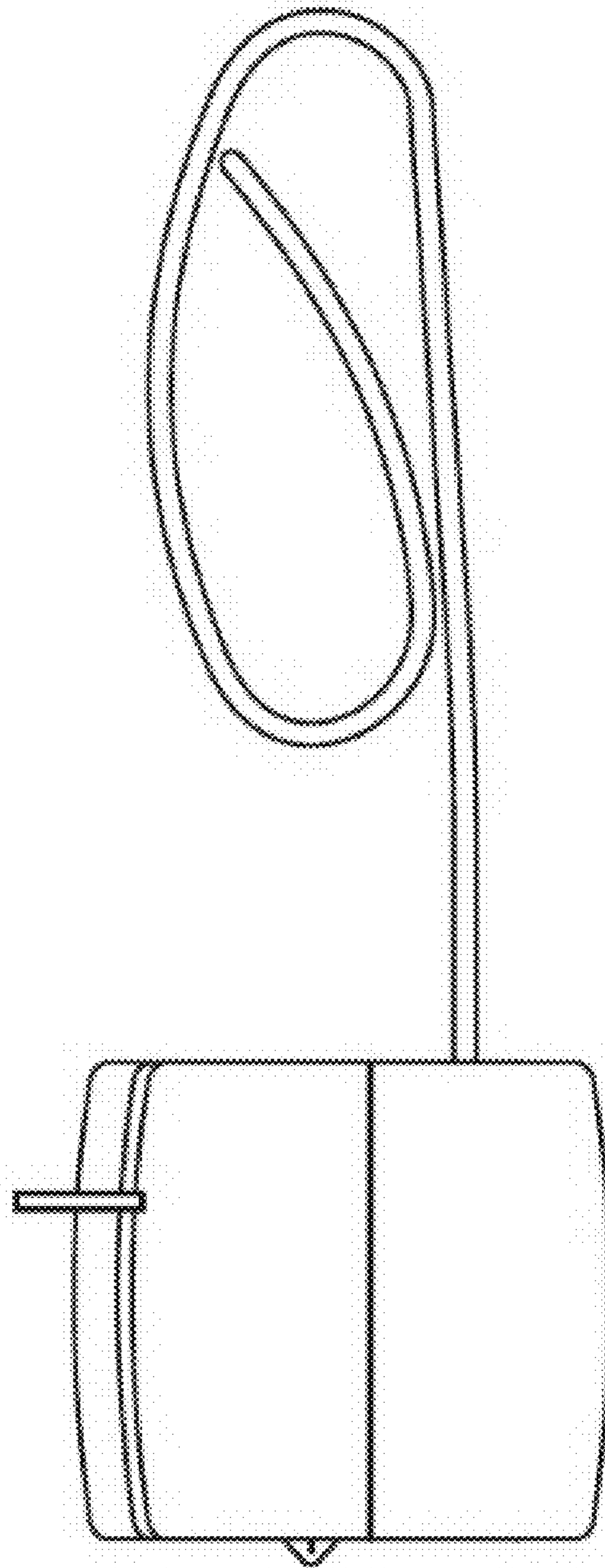




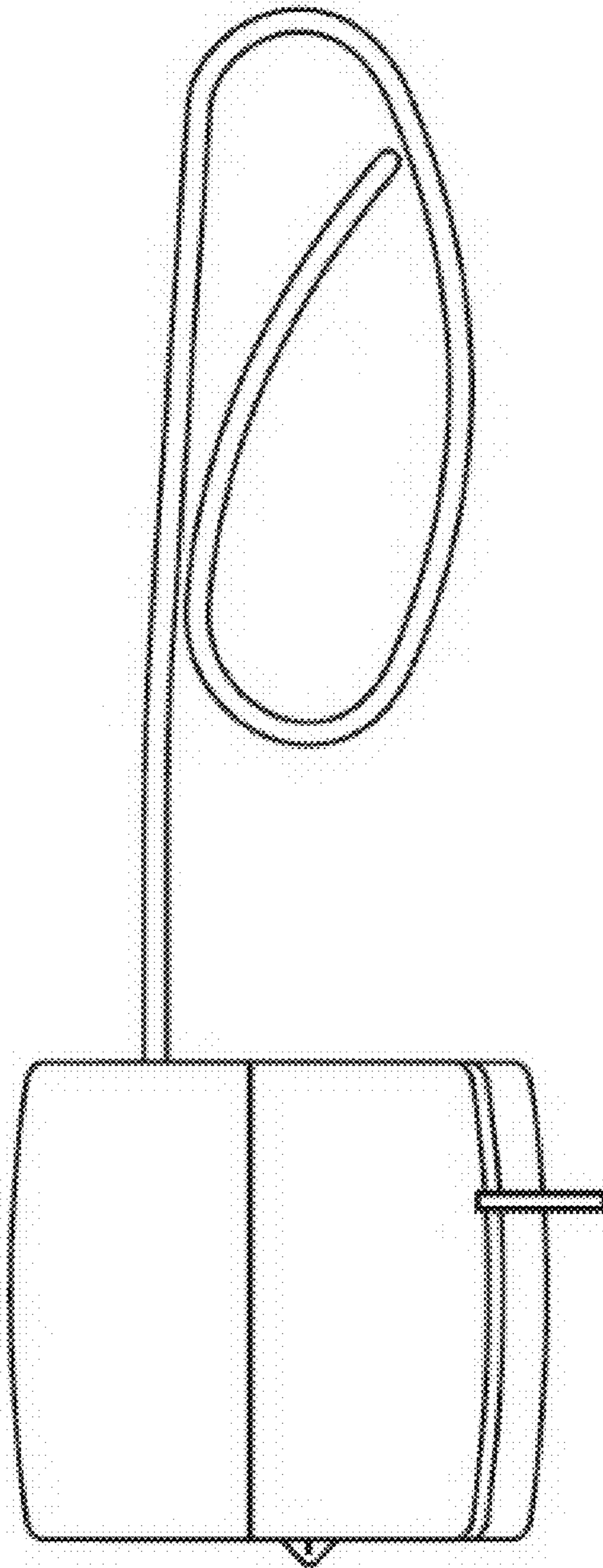
**1.3**



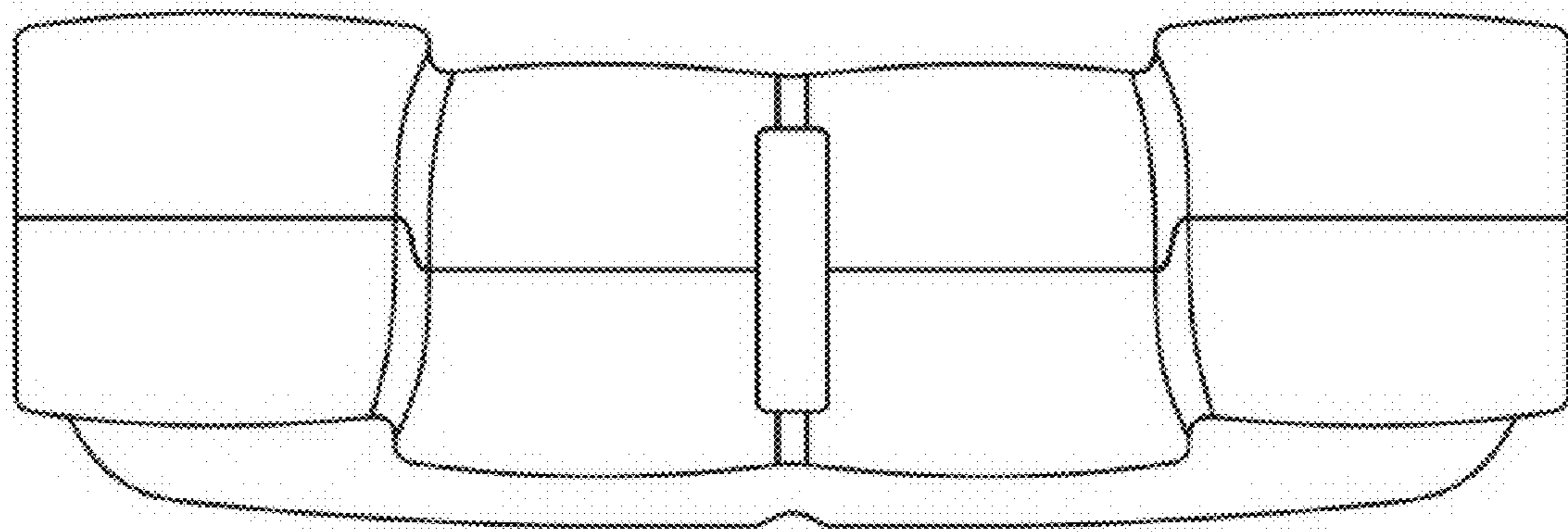
**1.4**



1.5



**1.6**



**1.7**

