



US00D772374S

(12) **United States Design Patent** (10) **Patent No.:** **US D772,374 S**
Bruining (45) **Date of Patent:** **** *Nov. 22, 2016**

(54) **DISPENSER**
(71) Applicant: **Reckitt Benckiser LLC**, Parsippany, NJ (US)
(72) Inventor: **Sebastiaan Bruining**, Eindhoven (NL)
(73) Assignee: **Reckitt Benckiser LLC**, Parsippany, NJ (US)

5,997,409 A * 12/1999 Mattson 473/244
D421,471 S * 3/2000 Moldovan D21/744
D436,638 S * 1/2001 Carrier D21/744
D532,844 S * 11/2006 Rollinson D21/736
D532,845 S * 11/2006 Rollinson D21/736
D574,908 S * 8/2008 Hettinger et al. D21/743
D582,497 S * 12/2008 Rollinson D21/744
D590,461 S * 4/2009 Kim et al. D21/743
D591,807 S * 5/2009 Rollinson D21/744
D621,458 S * 8/2010 Serrano et al. D21/736

* cited by examiner

(*) Notice: This patent is subject to a terminal disclaimer.

Primary Examiner — Robin V Webster

(**) Term: **15 Years**

(74) Attorney, Agent, or Firm — Norris McLaughlin & Marcus PA

(21) Appl. No.: **29/531,501**

(22) Filed: **Jun. 26, 2015**

(57) **CLAIM**

(30) **Foreign Application Priority Data**

The ornamental design for a dispenser, as shown and described.

Jan. 6, 2015 (EM) 002608588

(51) **LOC (10) Cl.** **23-01**

DESCRIPTION

(52) **U.S. Cl.**

USPC **D23/208**

(58) **Field of Classification Search**

USPC D23/207, 208, 209; 4/223, 225.1, 4/227.1, 231

CPC E03D 9/032; E03D 9/037; E03D 9/038
See application file for complete search history.

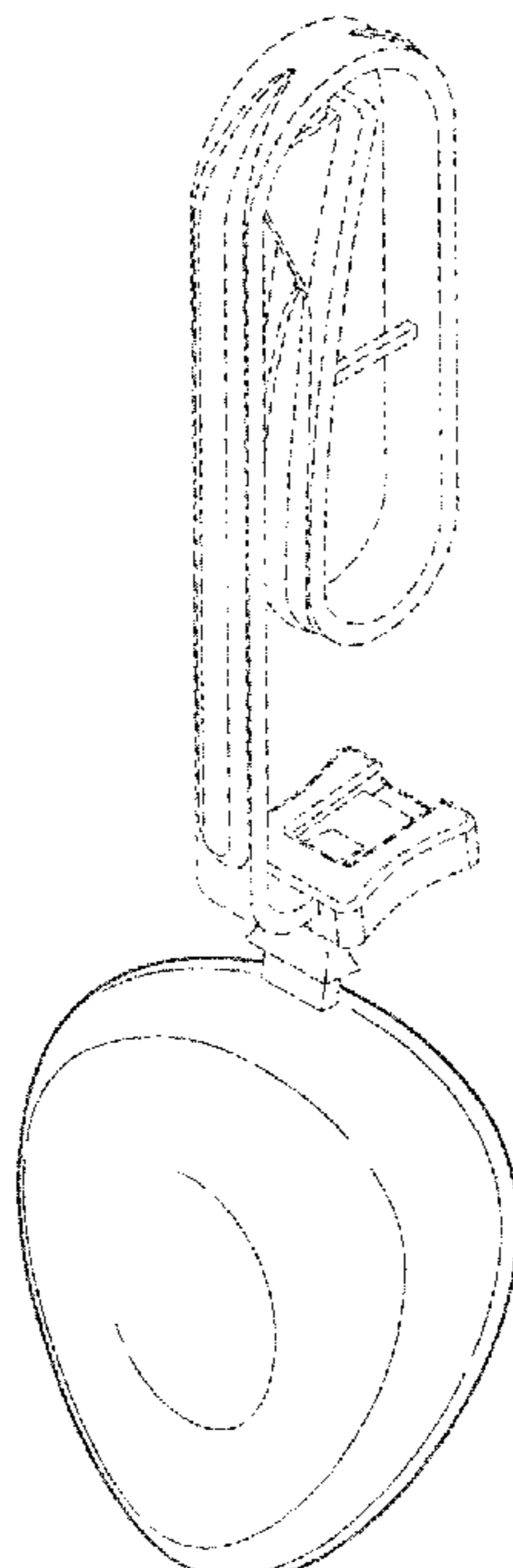
FIG. 1 is a perspective view of front the dispenser;
FIG. 2 is a plan view of the front of the dispenser;
FIG. 3 is plan view of the back of the dispenser;
FIG. 4 is a plan view of a side of the dispenser;
FIG. 5 is a plan view of a further side of the dispenser;
FIG. 6 is a plan view of the top of the dispenser; and,
FIG. 7 is a plan view of the bottom of the dispenser.
The broken line showing of a hanger is included for the purpose of illustrating and forms no part of the claimed design.

(56) **References Cited**

U.S. PATENT DOCUMENTS

4,741,535 A * 5/1988 Leonhardt 473/252
D323,867 S * 2/1992 Rizzotto D21/740

1 Claim, 3 Drawing Sheets



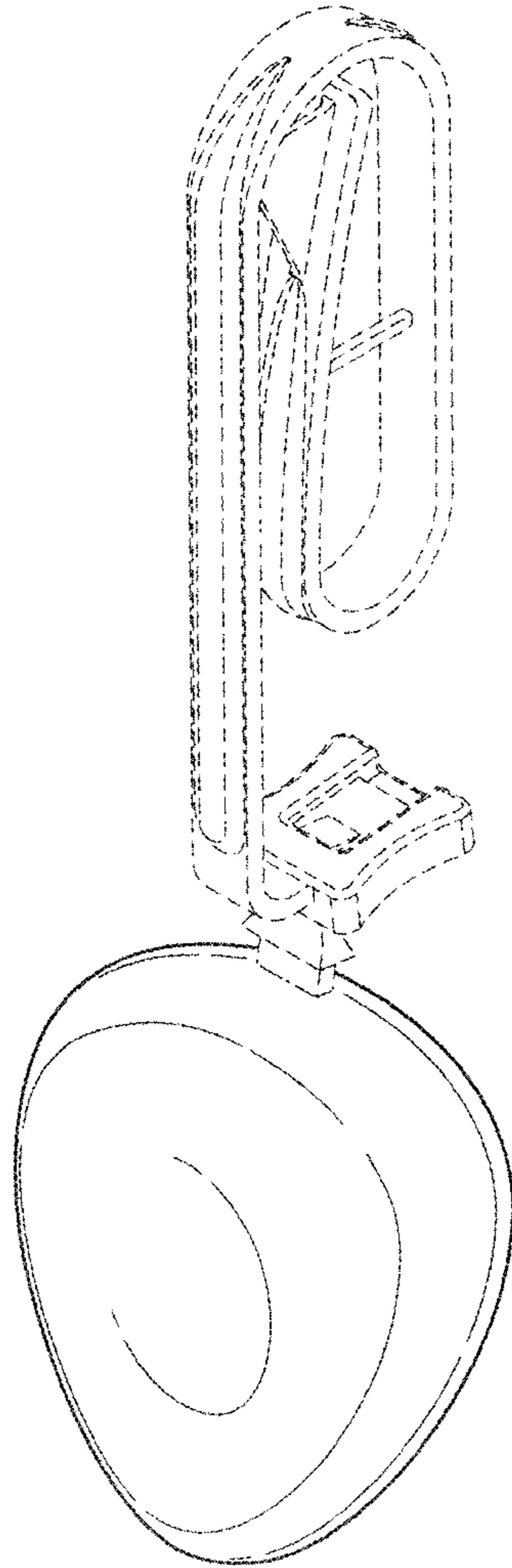


Fig. 1

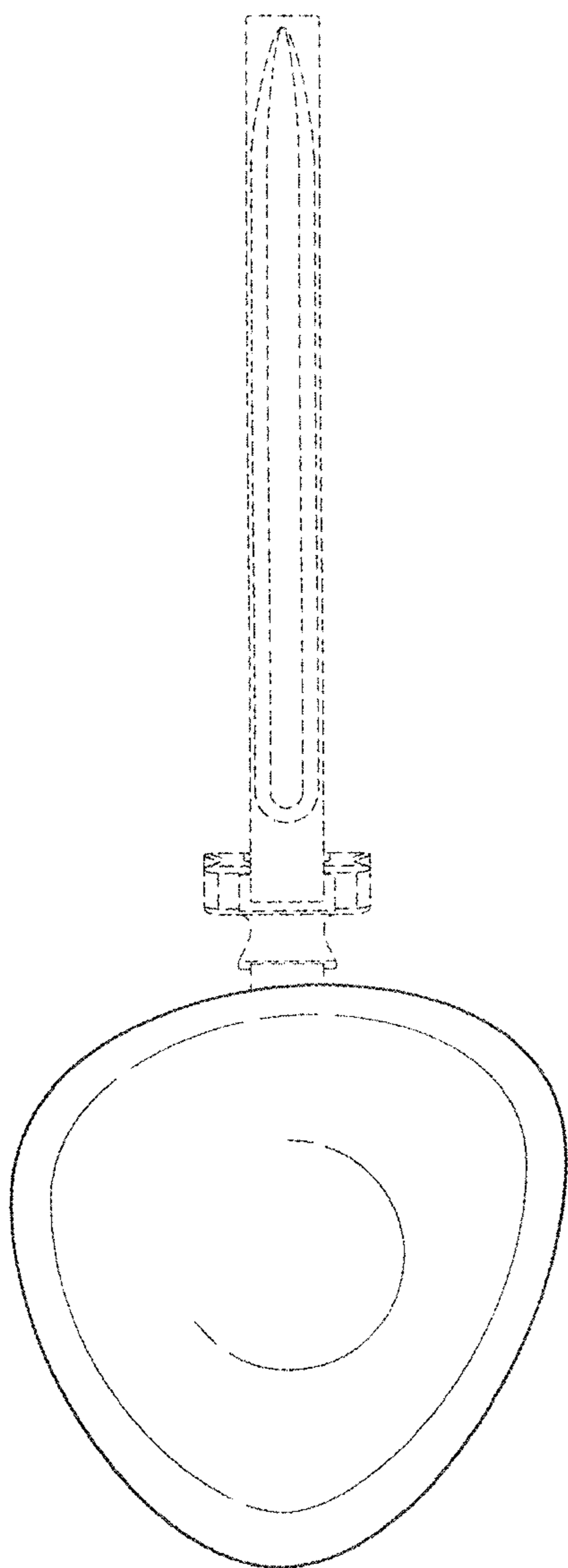


Fig. 2

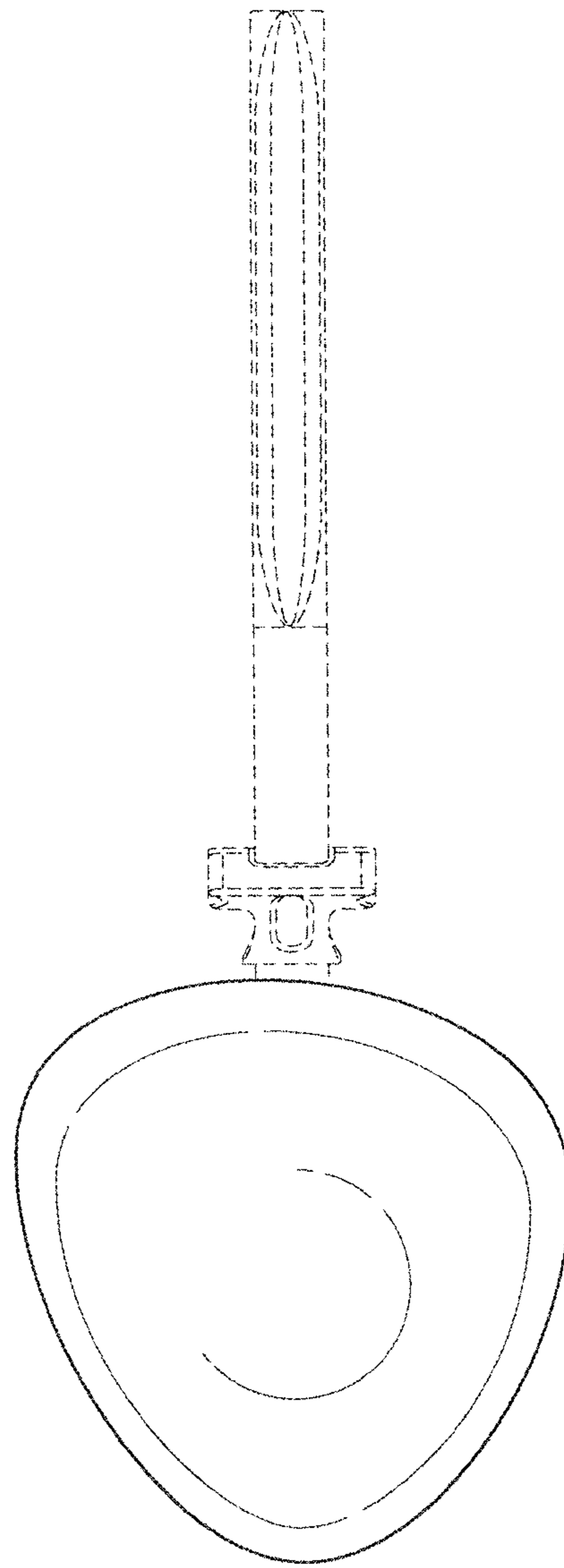


Fig. 3

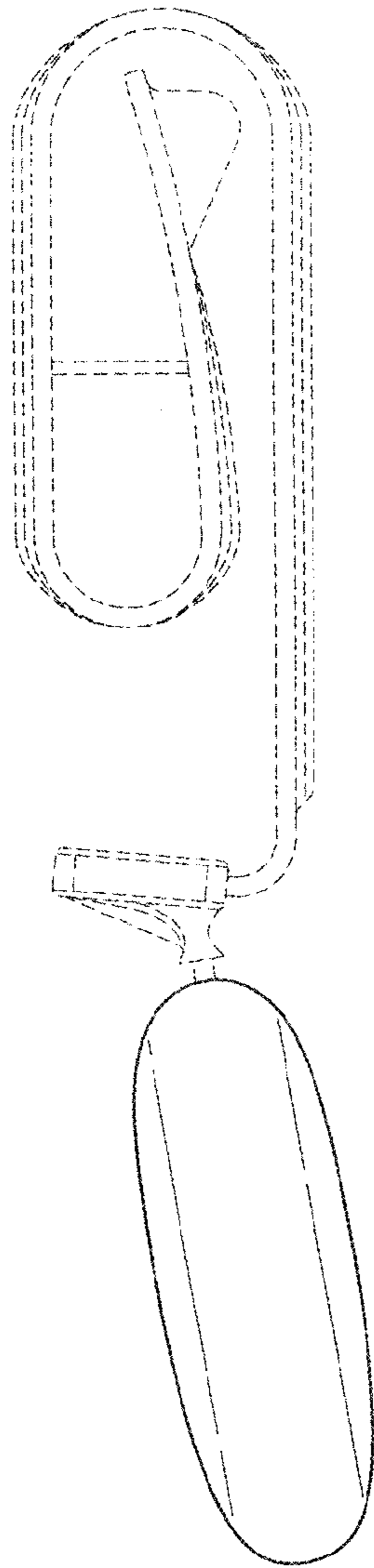


Fig. 4

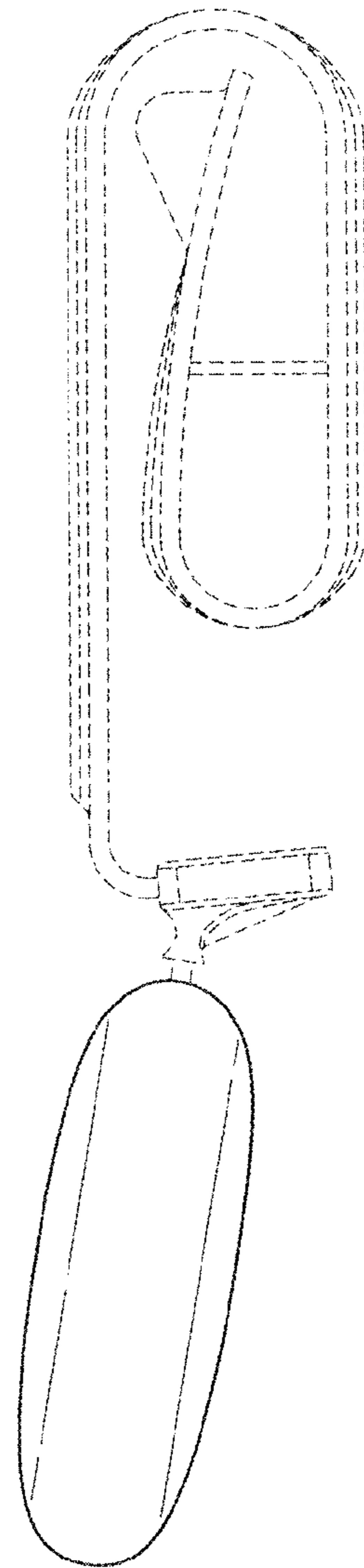


Fig. 5

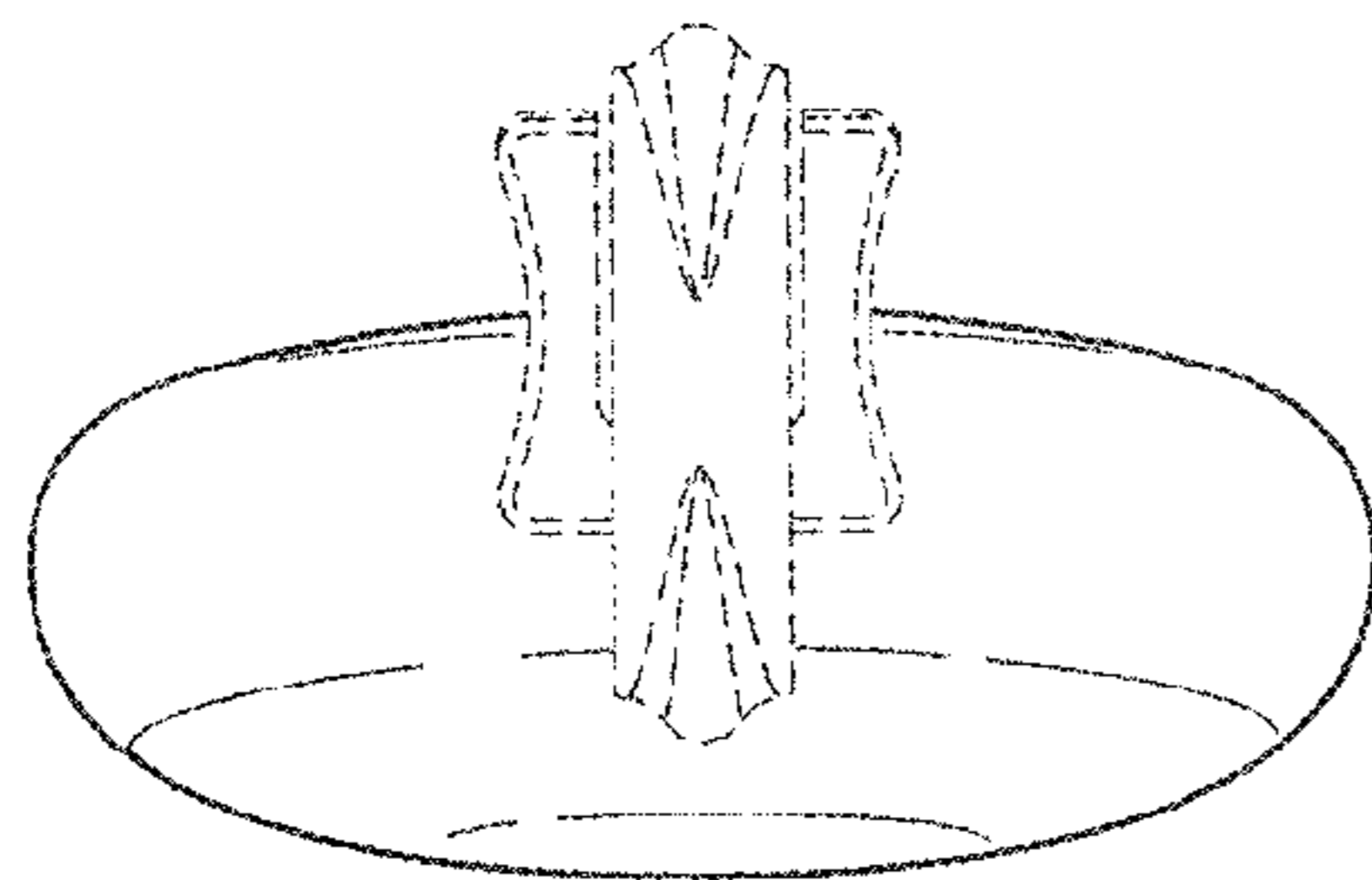


Fig. 6

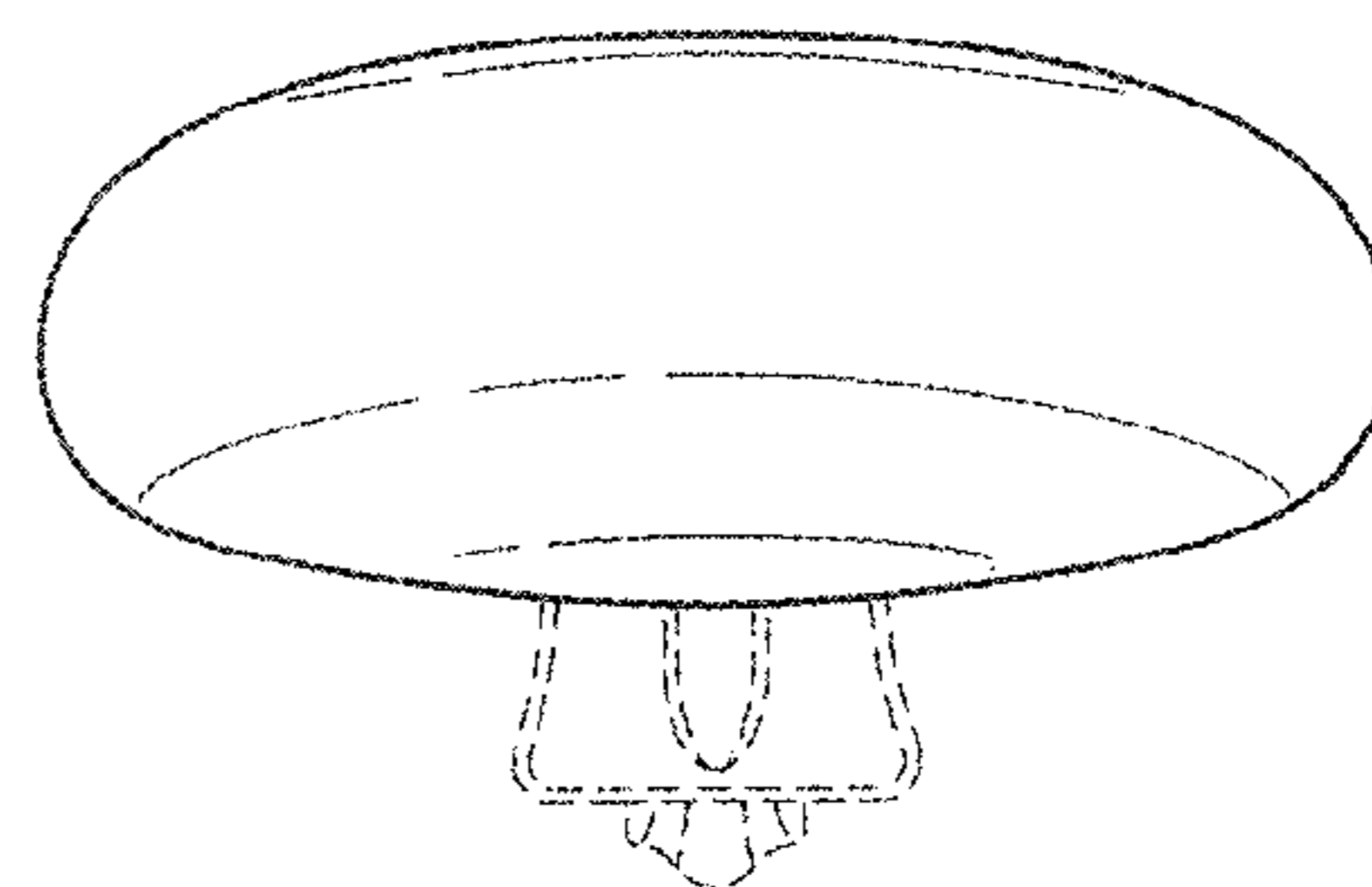


Fig. 7