



US00D772370S

(12) **United States Design Patent** (10) **Patent No.:** **US D772,370 S**
Nago (45) **Date of Patent:** **** Nov. 22, 2016**

(54) **FISHING REEL PORTION**

(71) Applicant: **Shimano Inc.**, Sakai, Osaka (JP)

(72) Inventor: **Akira Nago**, Osaka (JP)

(73) Assignee: **Shimano Inc.**, Osaka (JP)

(**) Term: **15 Years**

(21) Appl. No.: **29/527,980**

(22) Filed: **May 22, 2015**

(30) **Foreign Application Priority Data**

Dec. 4, 2014 (JP) 2014-027150

(51) **LOC (10) Cl.** **22-05**

(52) **U.S. Cl.**
USPC **D22/141**

(58) **Field of Classification Search**
USPC D22/137-141; 43/24, 25.2, 26, 42.1,
43/42.35

CPC A01K 97/06; A01K 89/01
See application file for complete search history.

(56) **References Cited**

U.S. PATENT DOCUMENTS

D273,220 S * 3/1984 Iinuma D22/141
D294,855 S * 3/1988 Iinuma D22/141

(Continued)

Primary Examiner — Catheri Oliver-Garcia

(74) *Attorney, Agent, or Firm* — Global IP Counselors

(57) **CLAIM**

The ornamental design for fishing reel portion, as shown and described.

DESCRIPTION

FIG. 1 is a perspective view of a fishing reel that includes a fishing reel portion while the spool is in the retracted position in accordance with my new design;

FIG. 2 is a first side elevational view of the fishing reel illustrated in FIG. 1 with the fishing reel portion;

FIG. 3 is a second side elevational view, which is the opposite side from FIG. 2, of the fishing reel illustrated in FIG. 1 with the fishing reel portion;

FIG. 4 is a top plan view of the fishing reel illustrated in FIG. 1 with the fishing reel portion;

FIG. 5 is a bottom plan view of the fishing reel illustrated in FIG. 1 with the fishing reel portion completely hidden from sight;

FIG. 6 is a first end elevational view of the fishing reel illustrated in FIG. 1 with the fishing reel portion completely hidden from sight;

FIG. 7 is a second end elevational view of the fishing reel illustrated in FIG. 1 with the fishing reel portion;

FIG. 8 is a side elevational view, similar to FIG. 2, of the fishing reel illustrated in FIG. 1, but with the rotor rotated ninety degrees such that the fishing reel portion is rotated ninety degrees with respect to FIG. 2;

FIG. 9 is another side elevational view, similar to FIG. 8, of the fishing reel illustrated in FIG. 1, but with the spool moved to the extended position with respect to FIG. 2;

FIG. 10 is a partial elevational view of a portion of the fishing reel illustrated in FIG. 1, with the spool in the retracted position ;

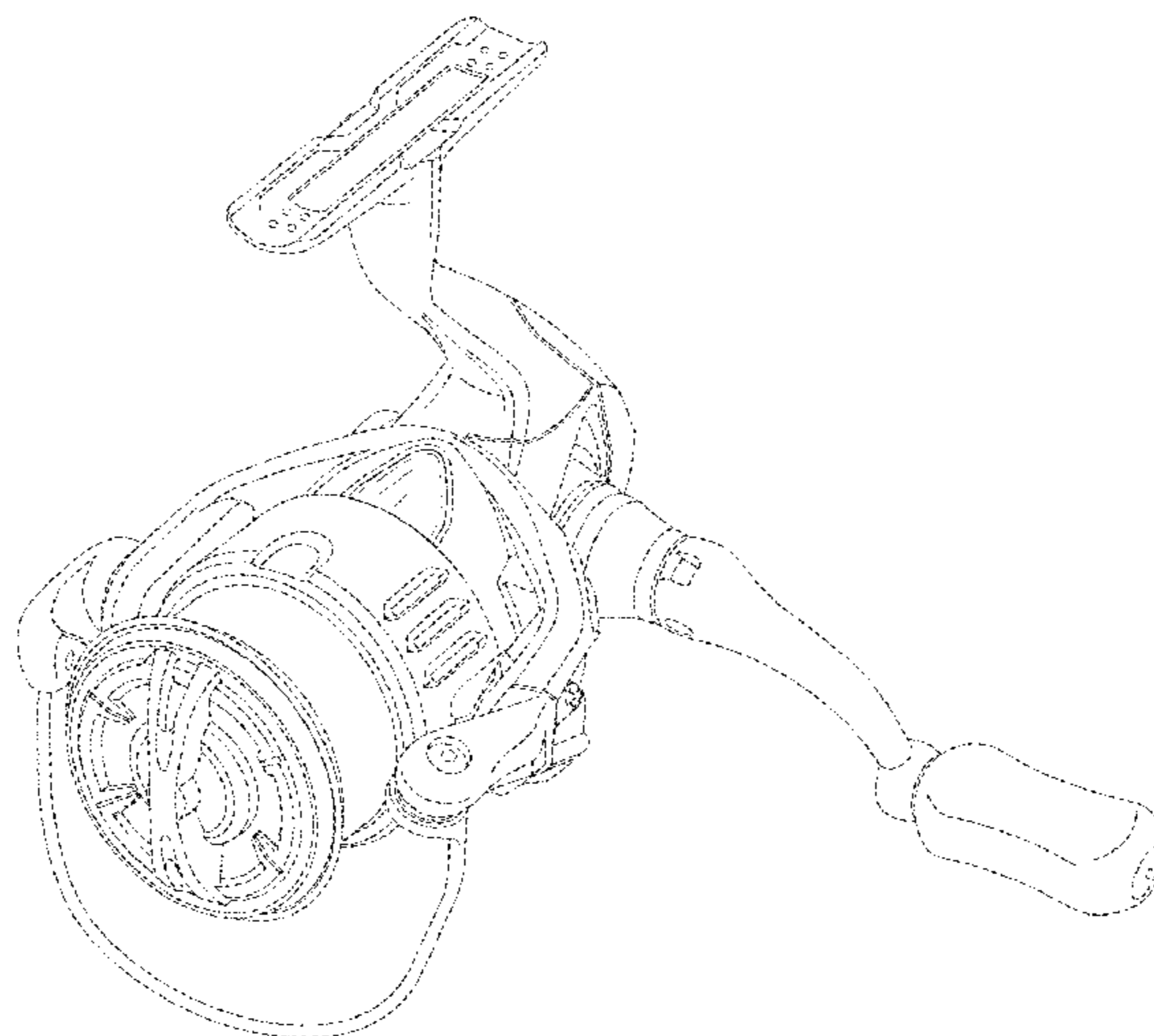
FIG. 11 is a partial elevational view of a portion of the fishing reel illustrated in FIG. 1, but with the spool moved to the extended position with respect to FIG. 2; and,

FIG. 12 is a cross sectional view of the rotor of the fishing reel as along section line 12-12 of FIG. 11.

In the drawings, the broken line illustration of the environmental structure (the remaining structure of the fishing reel) in the drawings is not part of the claimed design. The broken line portion of the fishing reel spool does not form part of the claimed design.

The sectional view is provided to clarify the exact contour or configuration of the exterior surface of the fishing reel portion, and no attempt is made to illustrate features of internal construction.

1 Claim, 8 Drawing Sheets



(56)

References Cited

U.S. PATENT DOCUMENTS

D685,055 S 6/2013 Deguchi
D716,413 S 10/2014 Hosono
D723,655 S 3/2015 Deguchi et al.

D627,417 S 11/2010 Nago

D661,370 S * 6/2012 Zock D22/141 * cited by examiner

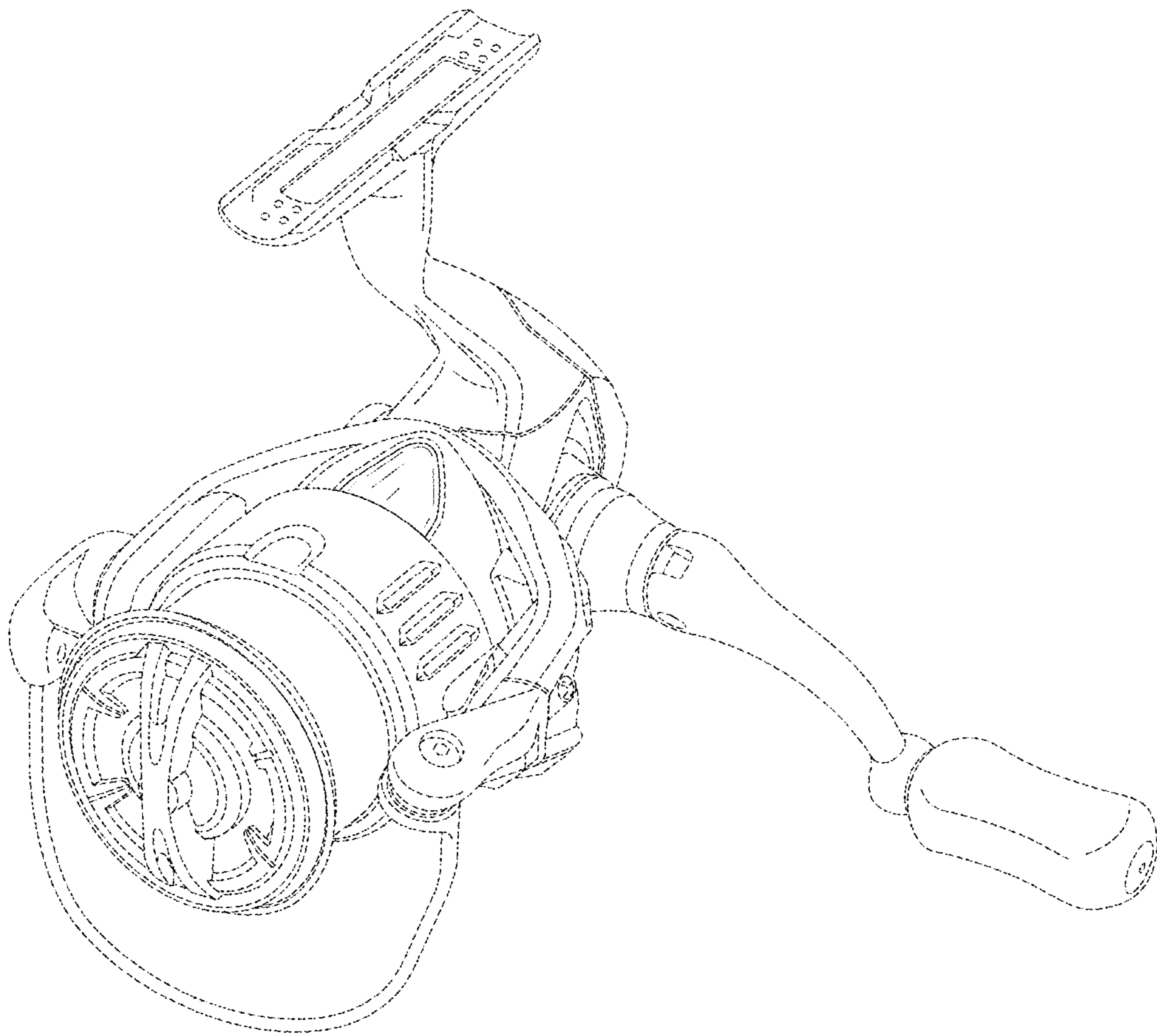


FIG. 1

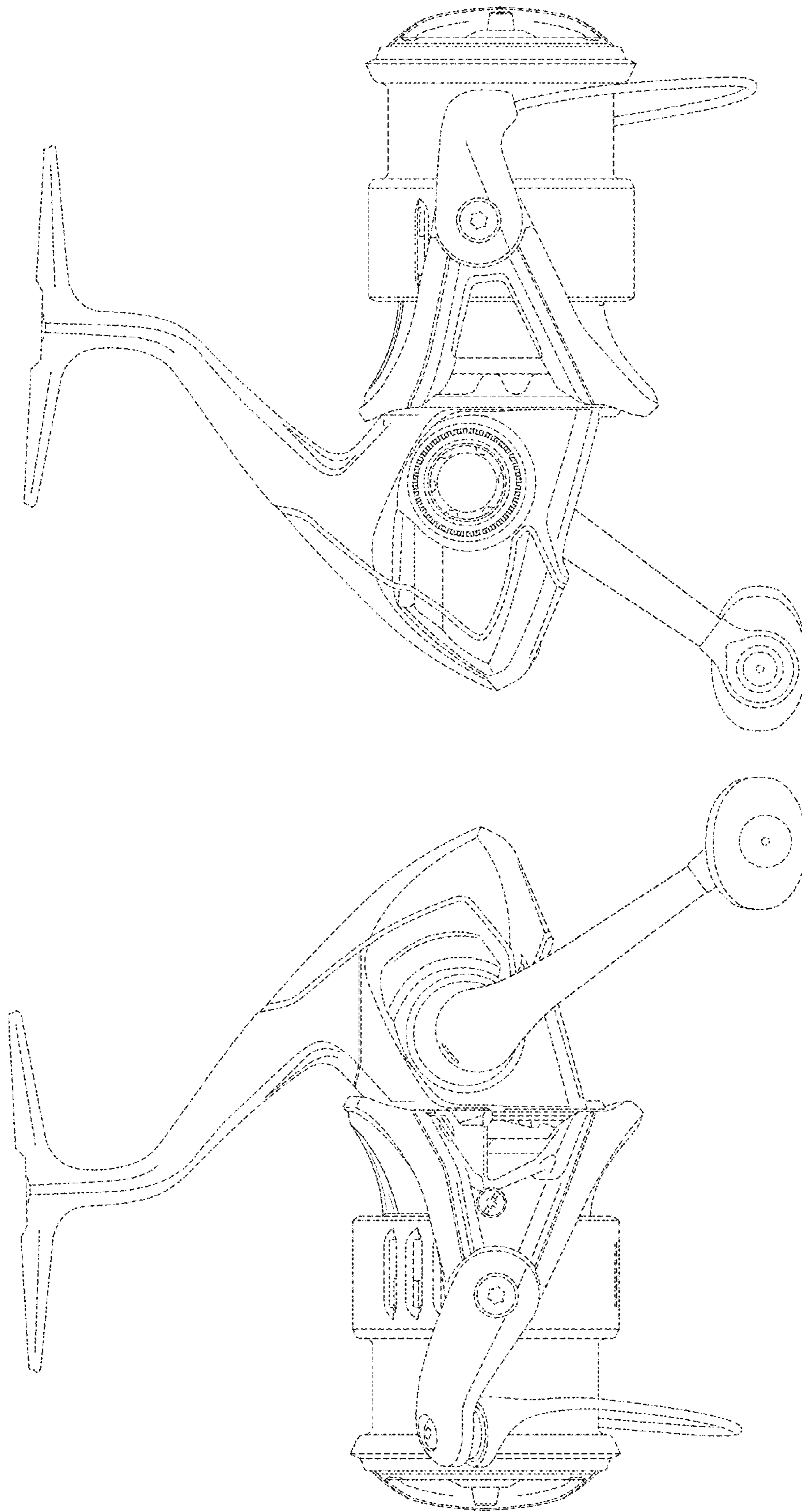


FIG. 3

FIG. 2

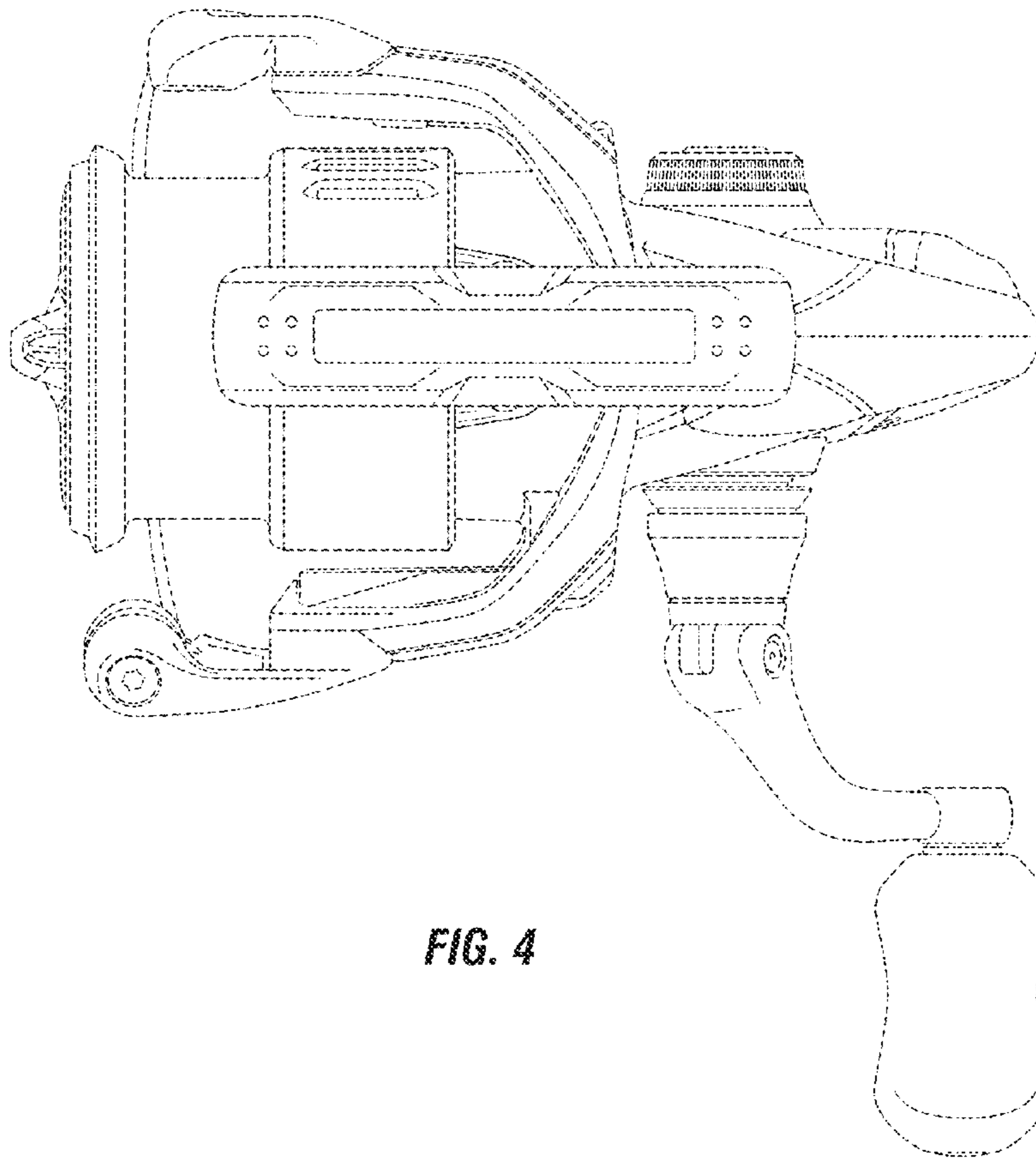


FIG. 4

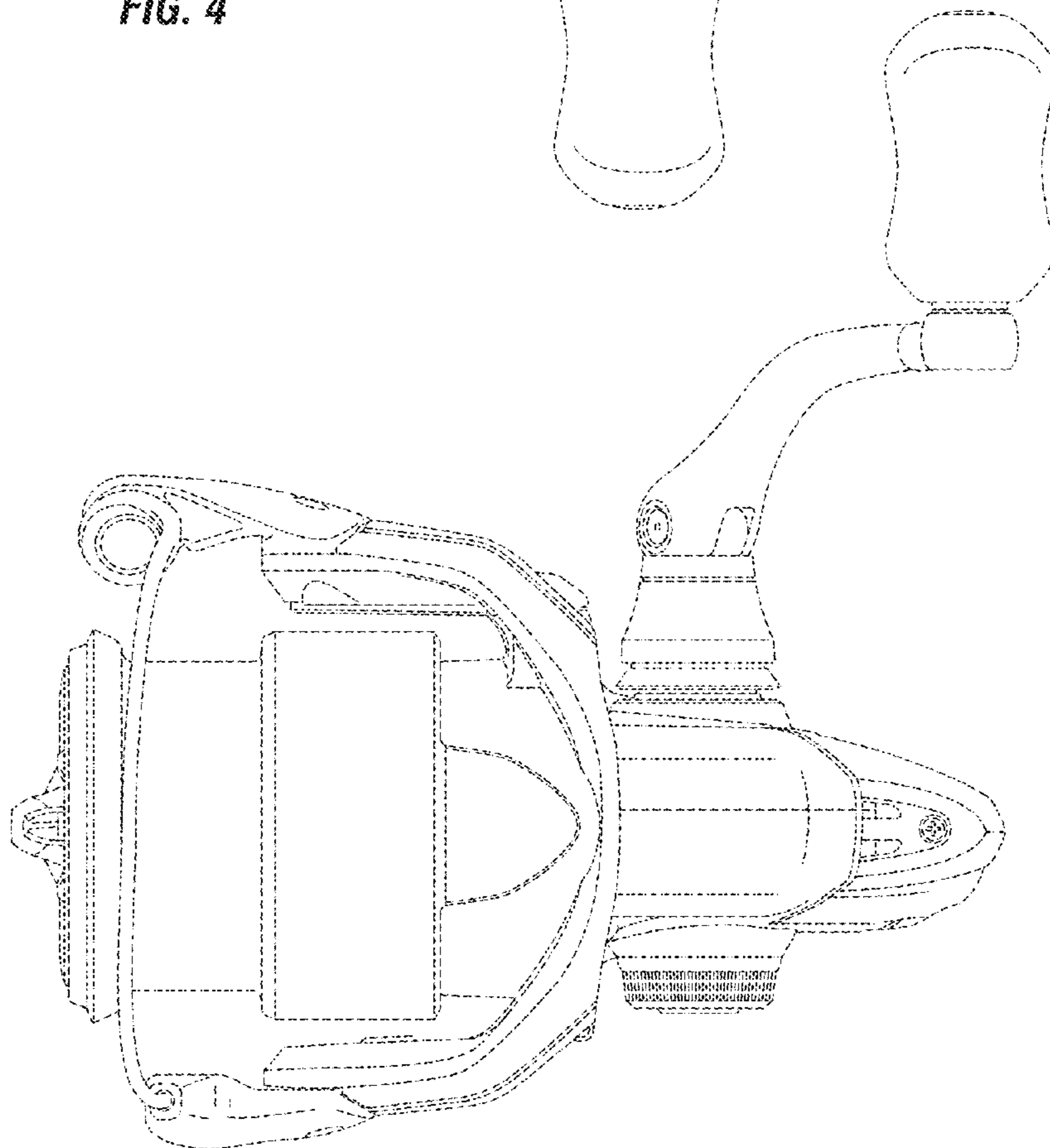


FIG. 5

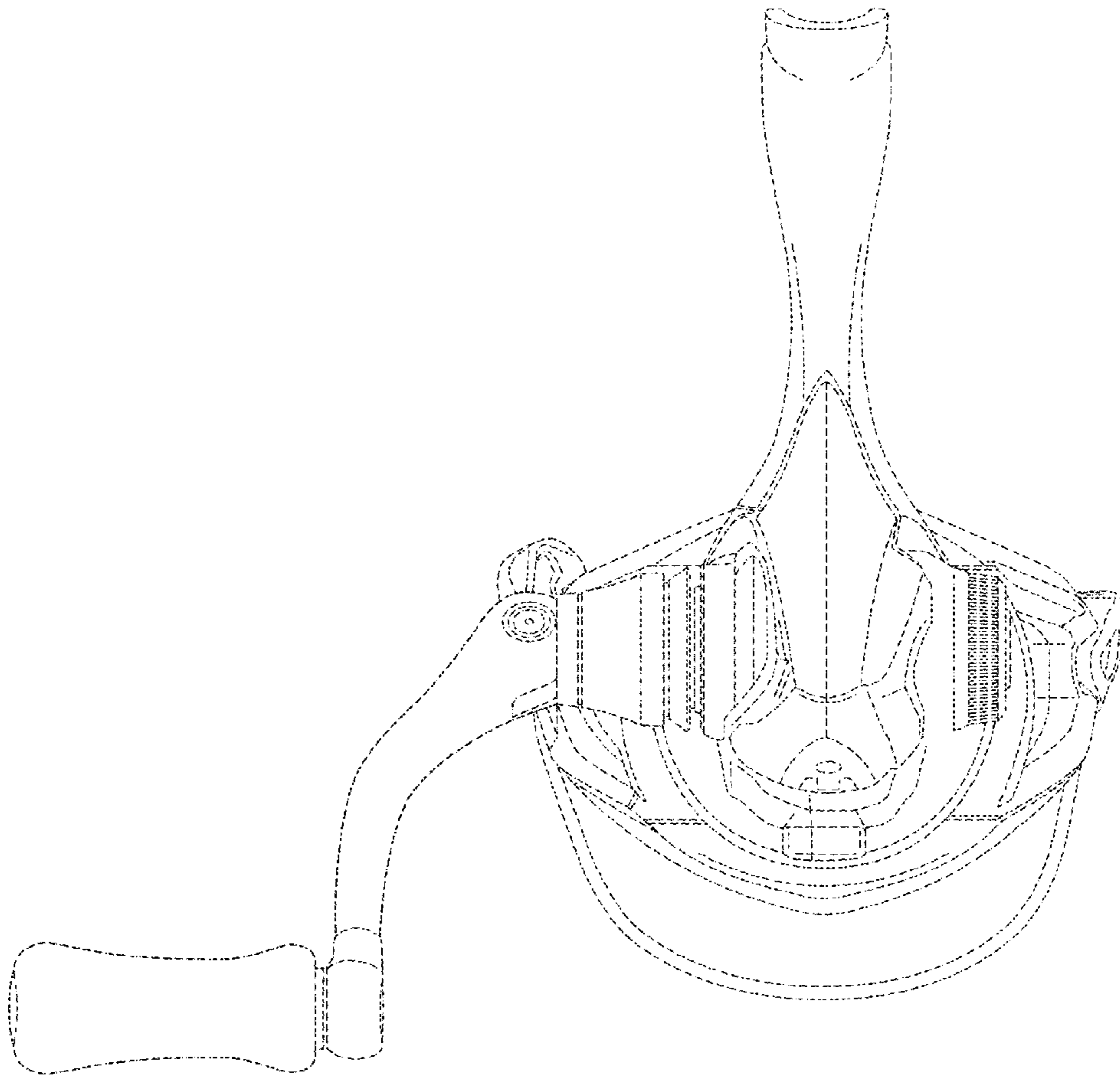


FIG. 6

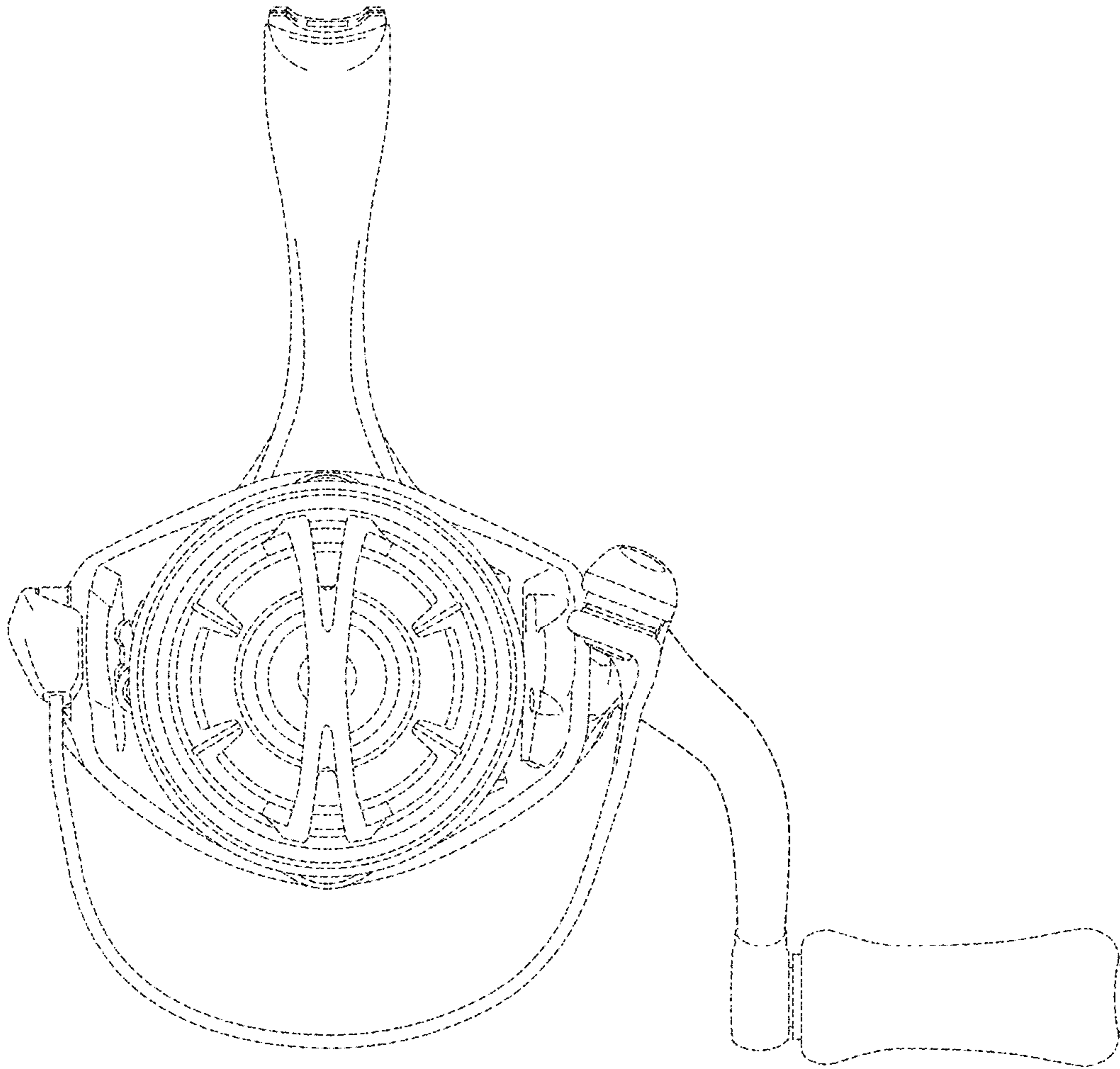


FIG. 7

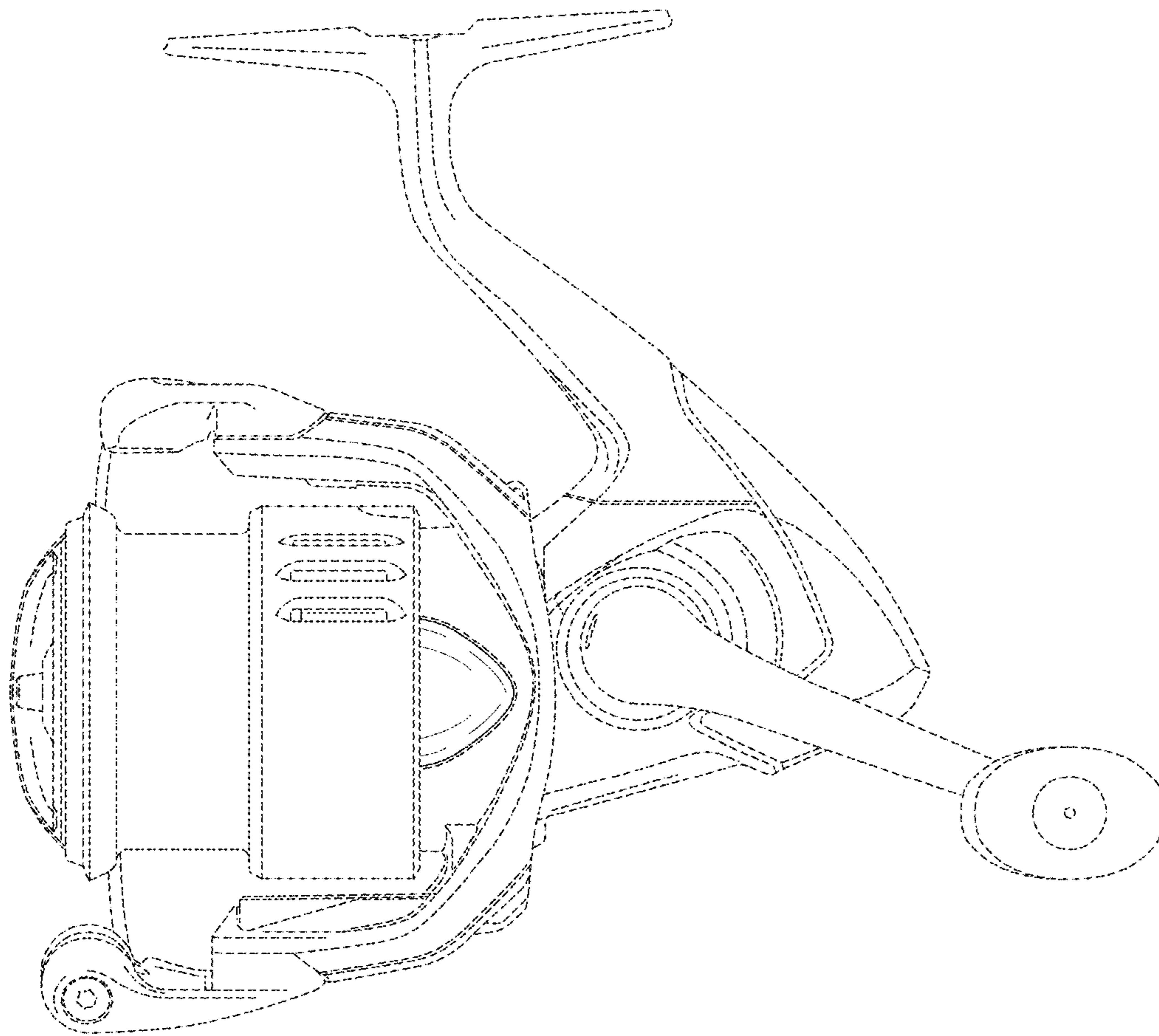


FIG. 8

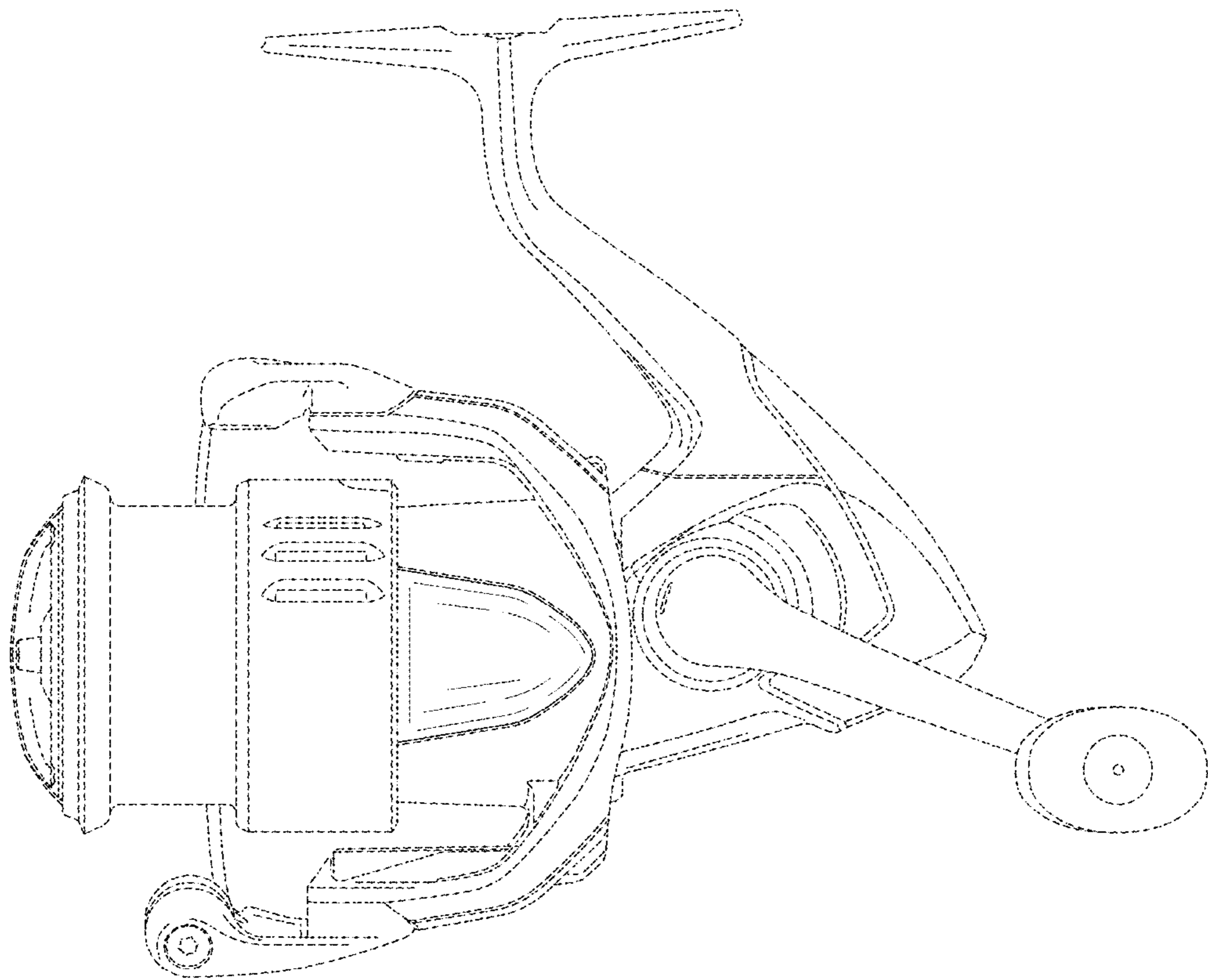


FIG. 9

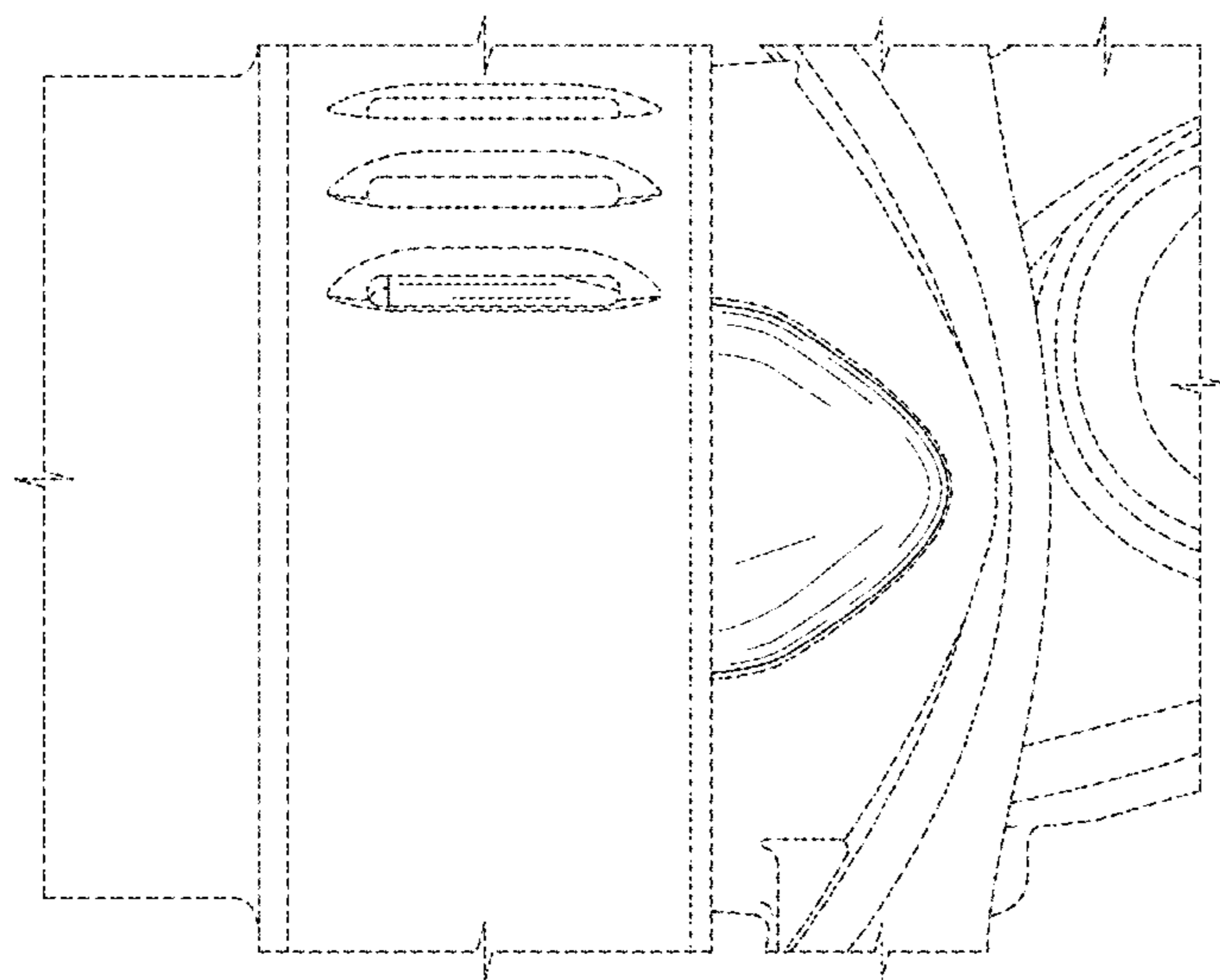


FIG. 10

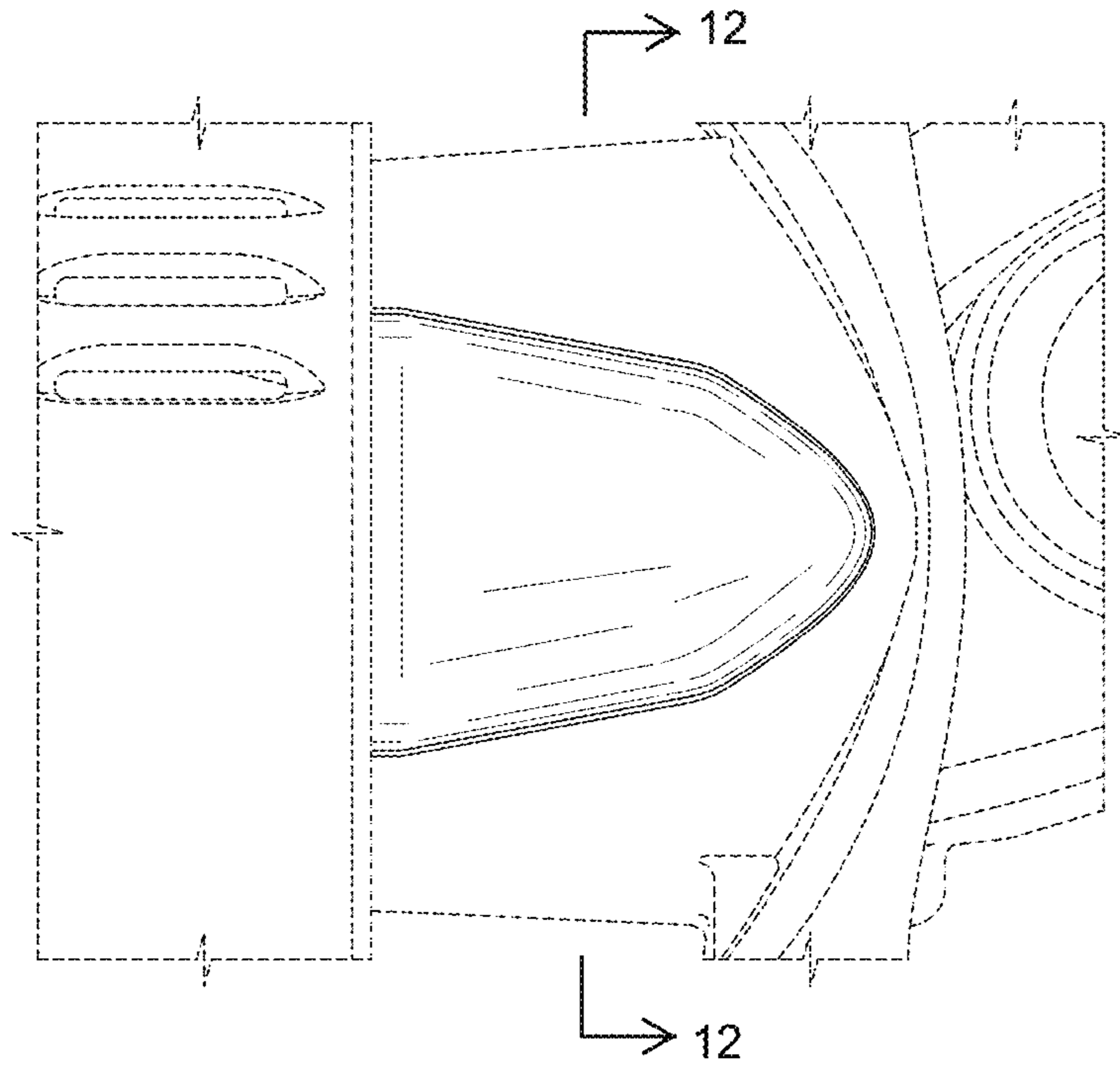


FIG. 11

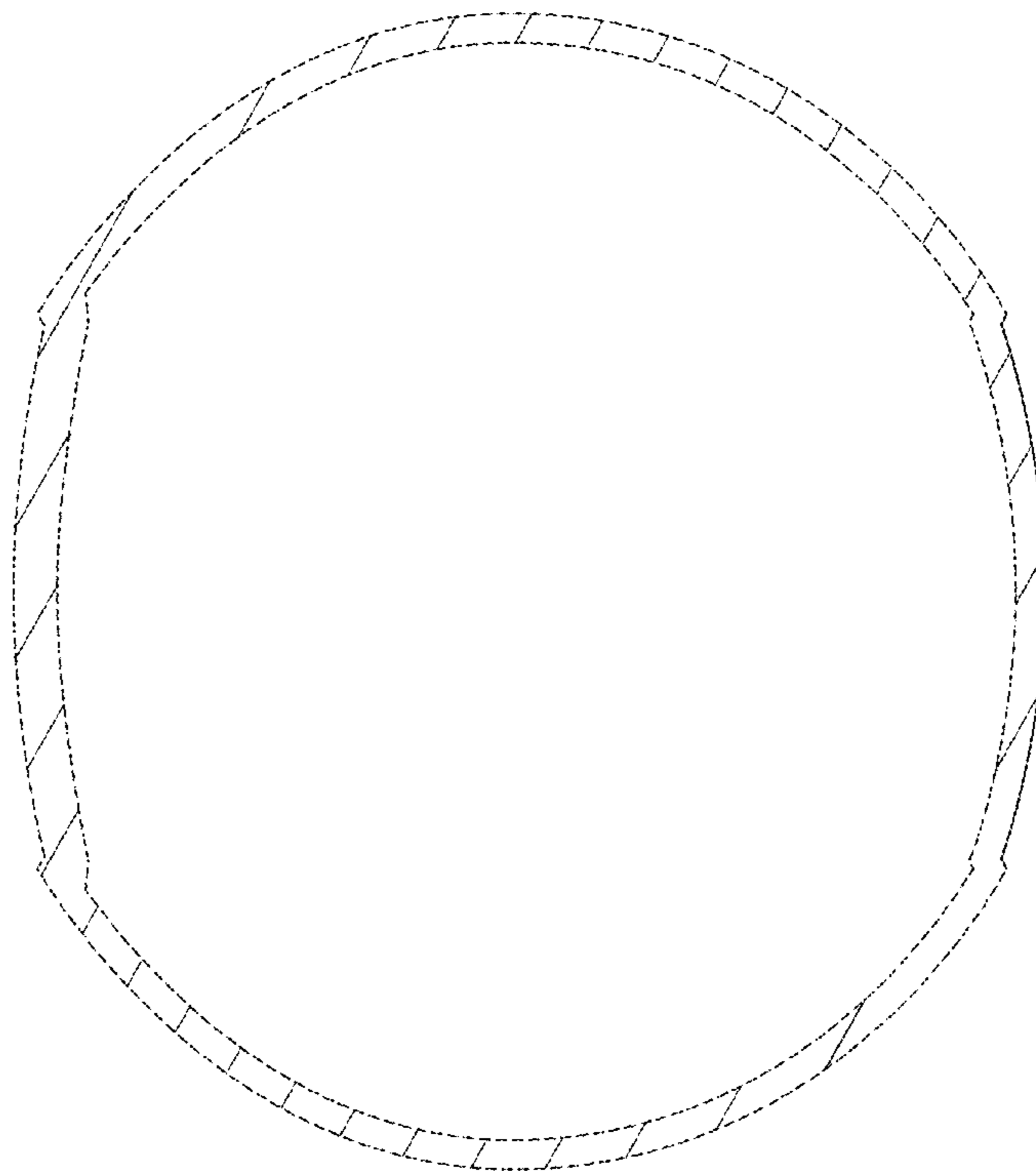


FIG. 12