



US00D772369S

(12) **United States Design Patent**
Geissele

(10) **Patent No.:** **US D772,369 S**

(45) **Date of Patent:** **** Nov. 22, 2016**

(54) **FIREARM CHARGING HANDLE**

8,820,210 B2 9/2014 Melville
8,960,066 B2 2/2015 Gomez
D726,860 S * 4/2015 Underwood D22/108

(Continued)

(71) Applicant: **WHG Properties, LLC**, North Wales,
PA (US)

(72) Inventor: **William H. Geissele**, Lower Gwynedd,
PA (US)

(73) Assignee: **WHG Properties, LLC**, North Wales,
PA (US)

(**) Term: **15 Years**

(21) Appl. No.: **29/532,114**

(22) Filed: **Jul. 1, 2015**

(51) **LOC (10) Cl.** **22-01**

(52) **U.S. Cl.**

USPC **D22/108**

(58) **Field of Classification Search**

USPC D22/108, 199; D21/572-575; 42/51,
42/71.01, 72, 75.01, 75, 2, 90, 94, 111,
42/125, 134, 136, 139; 89/40.06, 41.19,
89/37.04, 33.04, 191.01, 200-204;
124/66, 67, 72, 74

CPC F41A 3/72; F41A 3/26; F41A 7/00;
F41A 7/02; F41A 9/38; F41A 3/18

See application file for complete search history.

(56) **References Cited**

U.S. PATENT DOCUMENTS

7,240,600	B1	7/2007	Bordson
7,832,322	B1	11/2010	Hoel
7,861,635	B1	1/2011	Hoel
7,900,546	B2	3/2011	Bordson
8,104,393	B2	1/2012	Kincel
8,261,649	B2	9/2012	Fitzpatrick
8,336,436	B2	12/2012	Kincel
8,356,537	B2	1/2013	Kincel
D694,354	S	11/2013	Underwood
D705,384	S	5/2014	Underwood

OTHER PUBLICATIONS

Primary Arms.com, Geissele Super Charging Handle, publication date unknown, [site visited Aug. 2, 2016], Available on the Internet URL<<http://www.primaryarms.com/05-313s/p/05-313s/>>.*

(Continued)

Primary Examiner — Susan Bennett Hattan

Assistant Examiner — S. Bryan Reinholdt, Jr.

(74) *Attorney, Agent, or Firm* — Merchant & Gould, P.C.

(57) **CLAIM**

The ornamental design for a firearm charging handle, as shown and described.

DESCRIPTION

FIG. 1 is a bottom, front, right side perspective view of a further alternative embodiment of a firearm charging handle according to the present disclosure;

FIG. 2 is a bottom, front, right side perspective view of a rear portion of the embodiment of FIG. 1;

FIG. 3 is a top view of a rear portion of the embodiment of FIG. 1;

FIG. 4 is a bottom view of a rear portion of the embodiment of FIG. 1;

FIG. 5 is a right side view of a rear portion of the embodiment of FIG. 1;

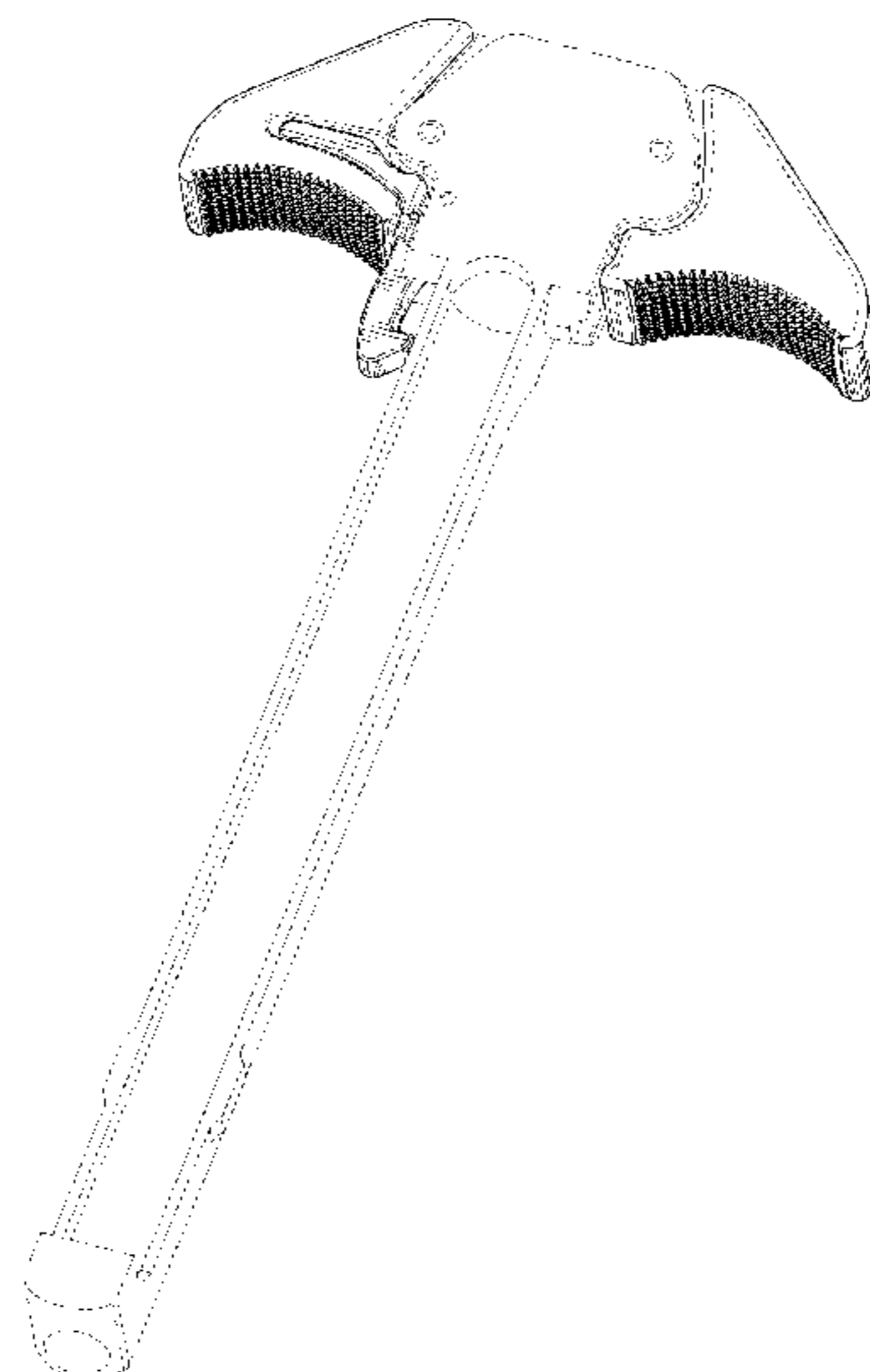
FIG. 6 is a left side view of a rear portion of the embodiment of FIG. 1;

FIG. 7 is a rear view of a rear portion of the embodiment of FIG. 1; and,

FIG. 8 is a front view of a rear portion of the embodiment of FIG. 1.

The broken lines in the Figures illustrate portions of the firearm charging handle that form no part of the claimed design.

1 Claim, 4 Drawing Sheets



(56)

References Cited

U.S. PATENT DOCUMENTS

D738,452 S * 9/2015 Underwood D22/108
D749,687 S * 2/2016 Warensford D22/108

OTHER PUBLICATIONS

MidwayUSA, Geissele Super Ambidextrous Charging Handle Assembly AR-15 Aluminum, publication date unknown, [site vis-

ited Aug. 2, 2016], Available on the Internet URL:<<http://www.midwayusa.com/product/2539201280/geissele-super-ambidextrous-charging-handle-assembly-ar-15-aluminum>>.*

Highjack86, Rainier Arms Avalanche Ambi Charging Handle—Preview/Initial Impressions (Jul. 16, 2015).

ar15news.com available at <http://www.ar15news.com/2015/05/16/sneak-peek-rainier-arms-avalanche-ambi-charging-handle/> (May 22, 2015).

* cited by examiner

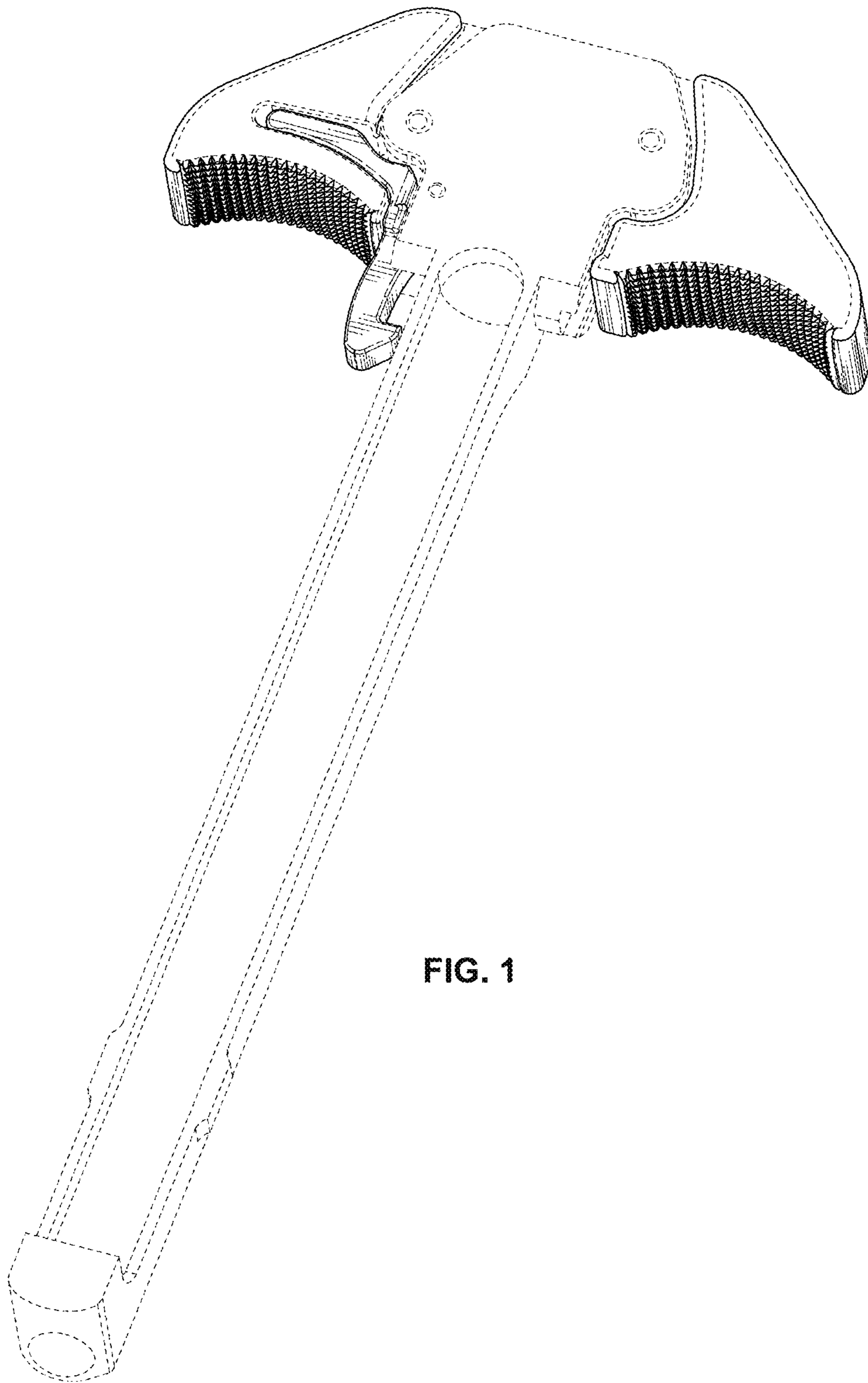


FIG. 1

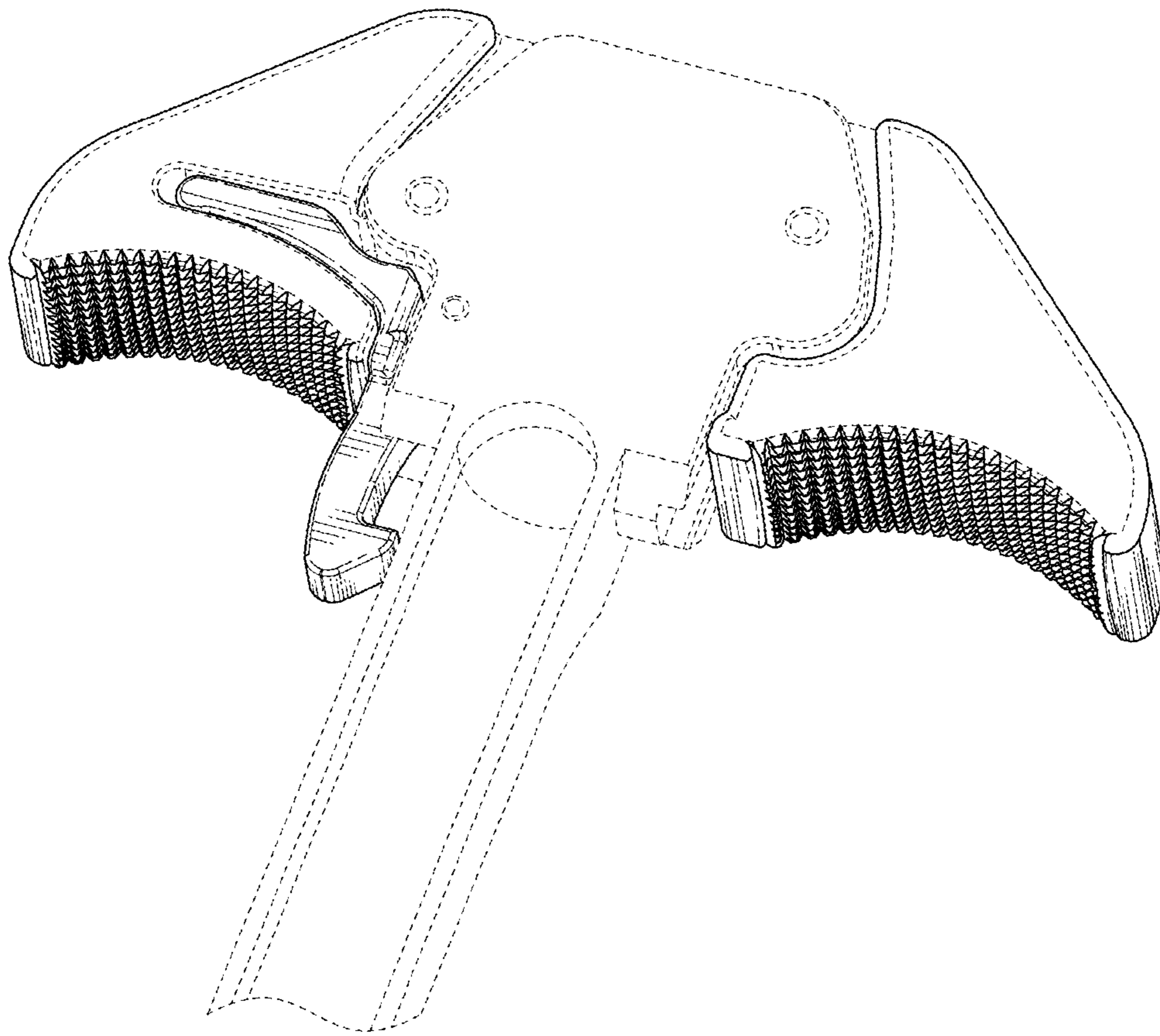


FIG. 2

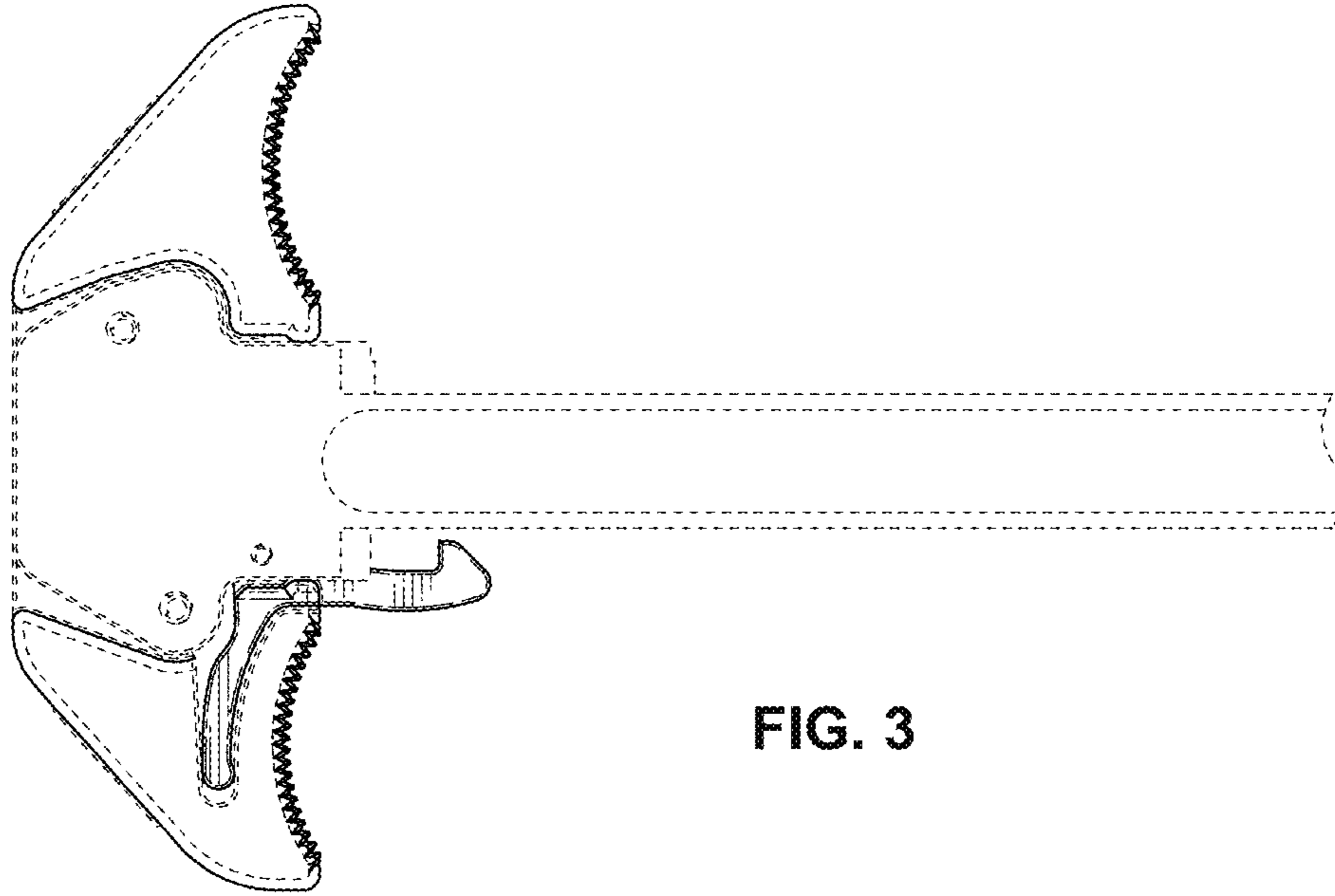


FIG. 3

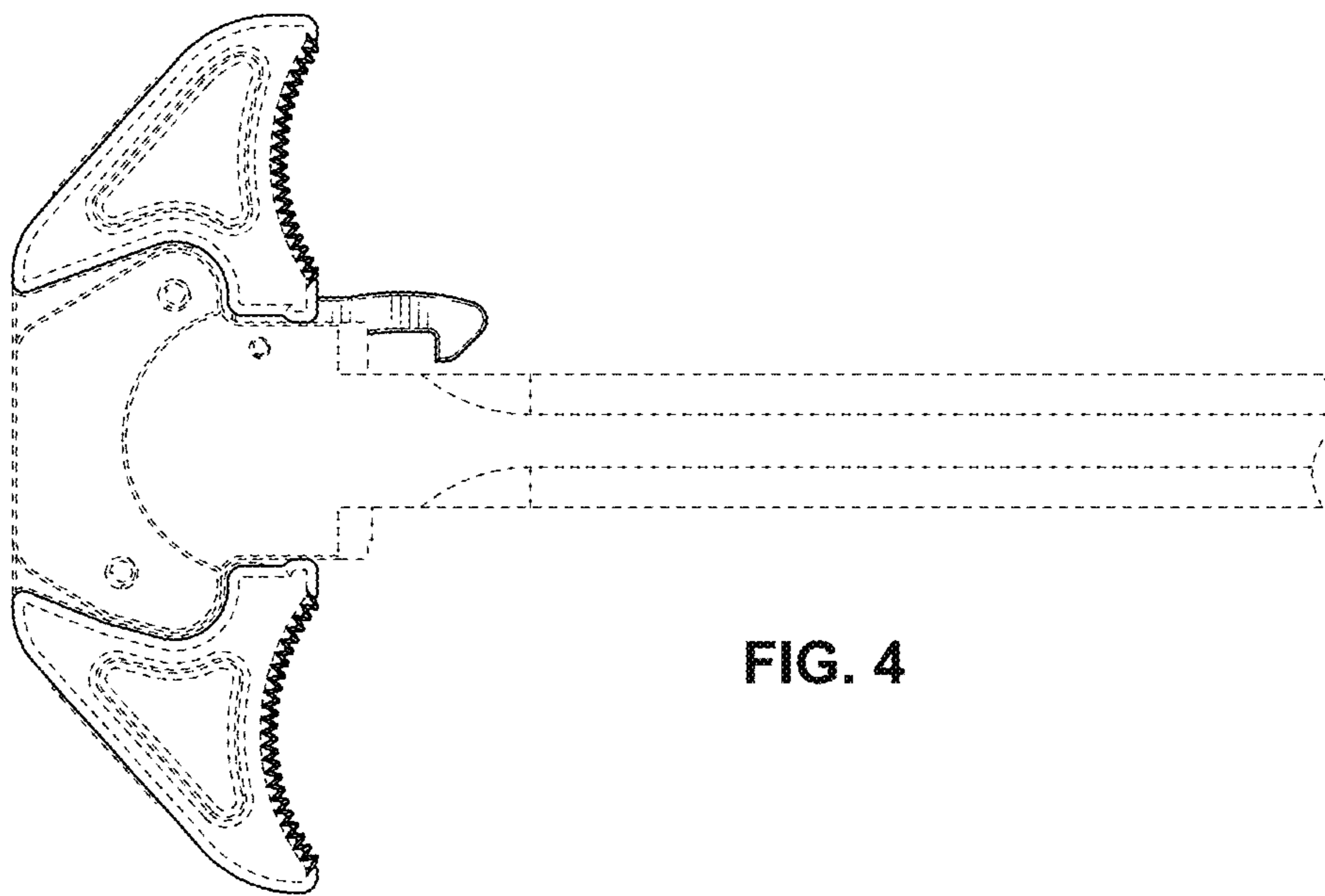


FIG. 4

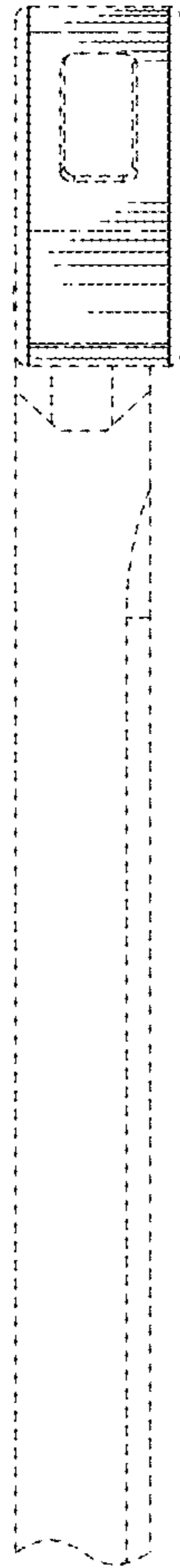


FIG. 5

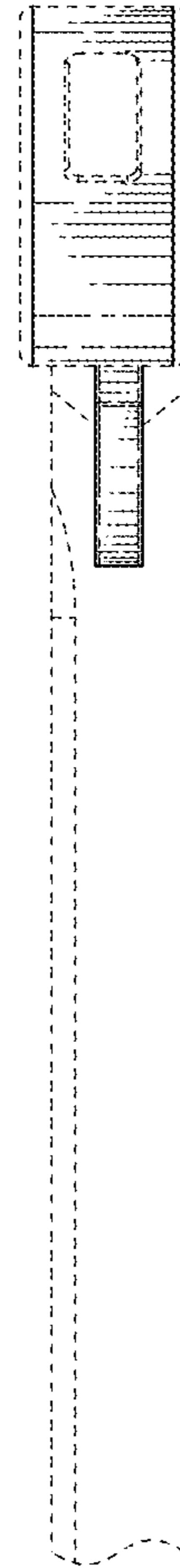


FIG. 6

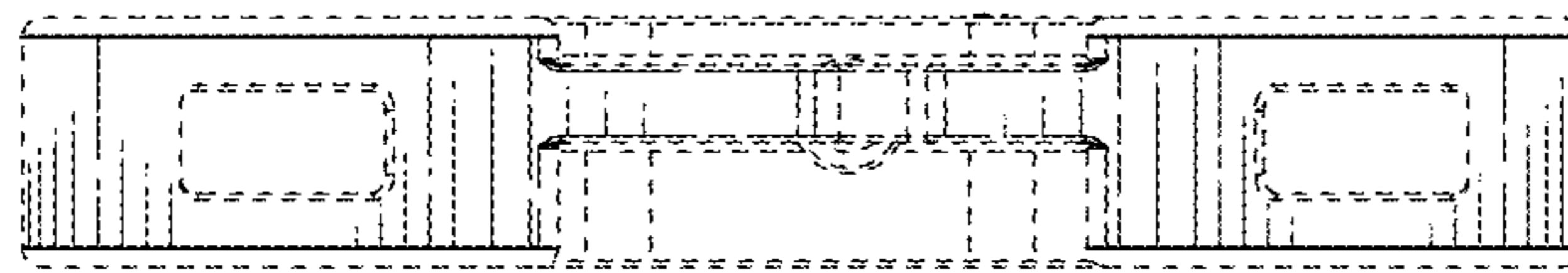


FIG. 7

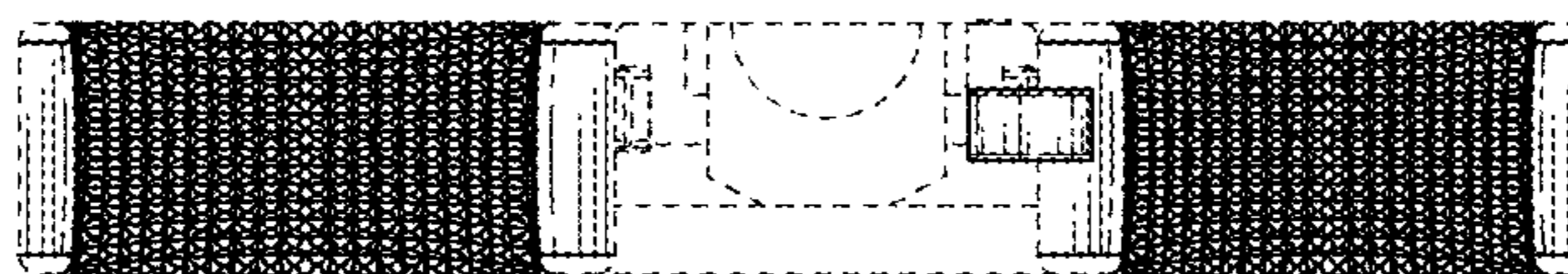


FIG. 8