



US00D772368S

(12) **United States Design Patent** (10) **Patent No.:** **US D772,368 S**
Evans (45) **Date of Patent:** **** Nov. 22, 2016**

(54) **MAGAZINE RETENTION DEVICE**

(71) Applicant: **Scott Evans**, Jacksonville, NC (US)

(72) Inventor: **Scott Evans**, Jacksonville, NC (US)

(**) Term: **15 Years**

(21) Appl. No.: **29/530,604**

(22) Filed: **Jun. 18, 2015**

(51) **LOC (10) Cl.** **22-01**

(52) **U.S. Cl.**
USPC **D22/108**

(58) **Field of Classification Search**
USPC D22/108, 199; D21/572–573;
124/66–67, 74; 42/51, 71.01, 75.01,
42/75.02, 90, 94; 362/110; 89/40.06,
89/37.04, 33.04, 191.01
CPC F41A 9/61; F41A 9/62; F41A 9/63;
F41A 9/64; F41A 9/65; F41A 9/68; F41A
9/69; F41A 9/73; F41A 9/74; F41A 9/75;
F41A 9/79; F41A 9/86
See application file for complete search history.

(56) **References Cited**

U.S. PATENT DOCUMENTS

D688,766 S * 8/2013 Fitzpatrick D22/108
2011/0107645 A1 * 5/2011 Faifer F41A 9/63
42/90
2016/0003598 A1 * 1/2016 Gadams F42B 39/02
206/3
2016/0100678 A1 * 4/2016 Evans A45F 5/00
224/231

OTHER PUBLICATIONS

G-Code, Scorpion and Single D3 Rifle Mag Belt Loop, Wayback Machine date Jun. 17, 2015, [site visited Jul. 10, 2016], Available

on the Internet URL:<<http://web.archive.org/web/20150617233317/http://www.tacticalholsters.com/product/Scorpion/GCA92.html>>.*
SouthDeltaGearLab—YouTube, G Code Scorpion, Mar. 1, 2015, [site visited Jul. 20, 2016], Available on the Internet URL:<<https://www.youtube.com/watch?v=Ir-x1y-usgE>>.*
Lefty—YouTube, G-Code Scorpion Mag Pouch, Jul. 26, 2015], Available on the Internet URL:<https://www.youtube.com/watch?v=Bu7cW_bUBD4>.*

* cited by examiner

Primary Examiner — Susan Bennett Hattan

Assistant Examiner — Bryan Reinholdt, Jr.

(74) *Attorney, Agent, or Firm* — Christina Chamberlain; Intellectual Property Consulting, LLC

(57) **CLAIM**

The ornamental design for a magazine retention device, as shown and described.

DESCRIPTION

FIG. 1 is a perspective view of a magazine retention device showing my new design.

FIG. 2 is a bottom perspective view of the magazine retention device in FIG. 1.

FIG. 3 is a front view of the magazine retention device in FIG. 1.

FIG. 4 is a rear view of the magazine retention device in FIG. 1.

FIG. 5 is a left side view of the magazine retention device in FIG. 1.

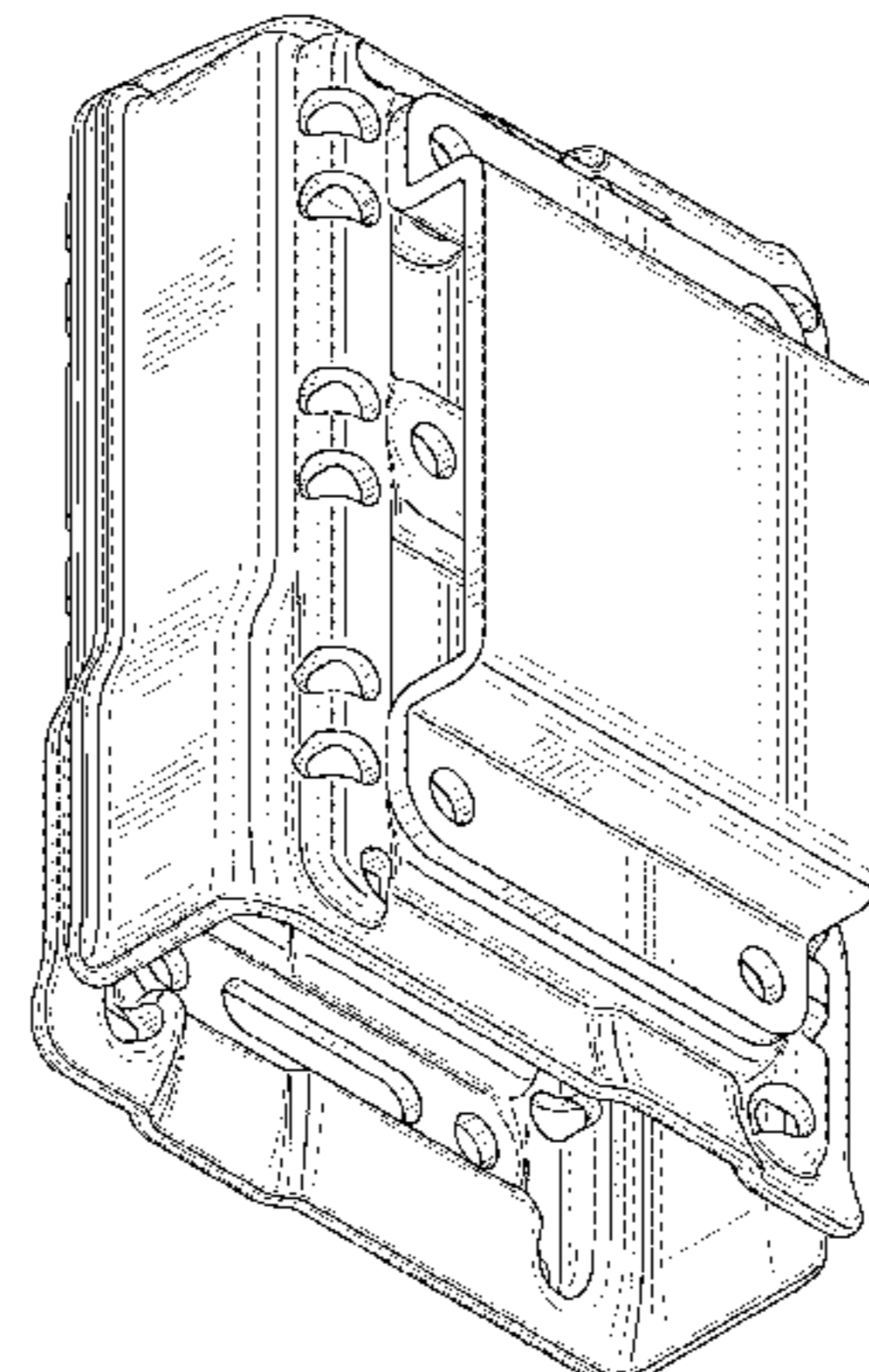
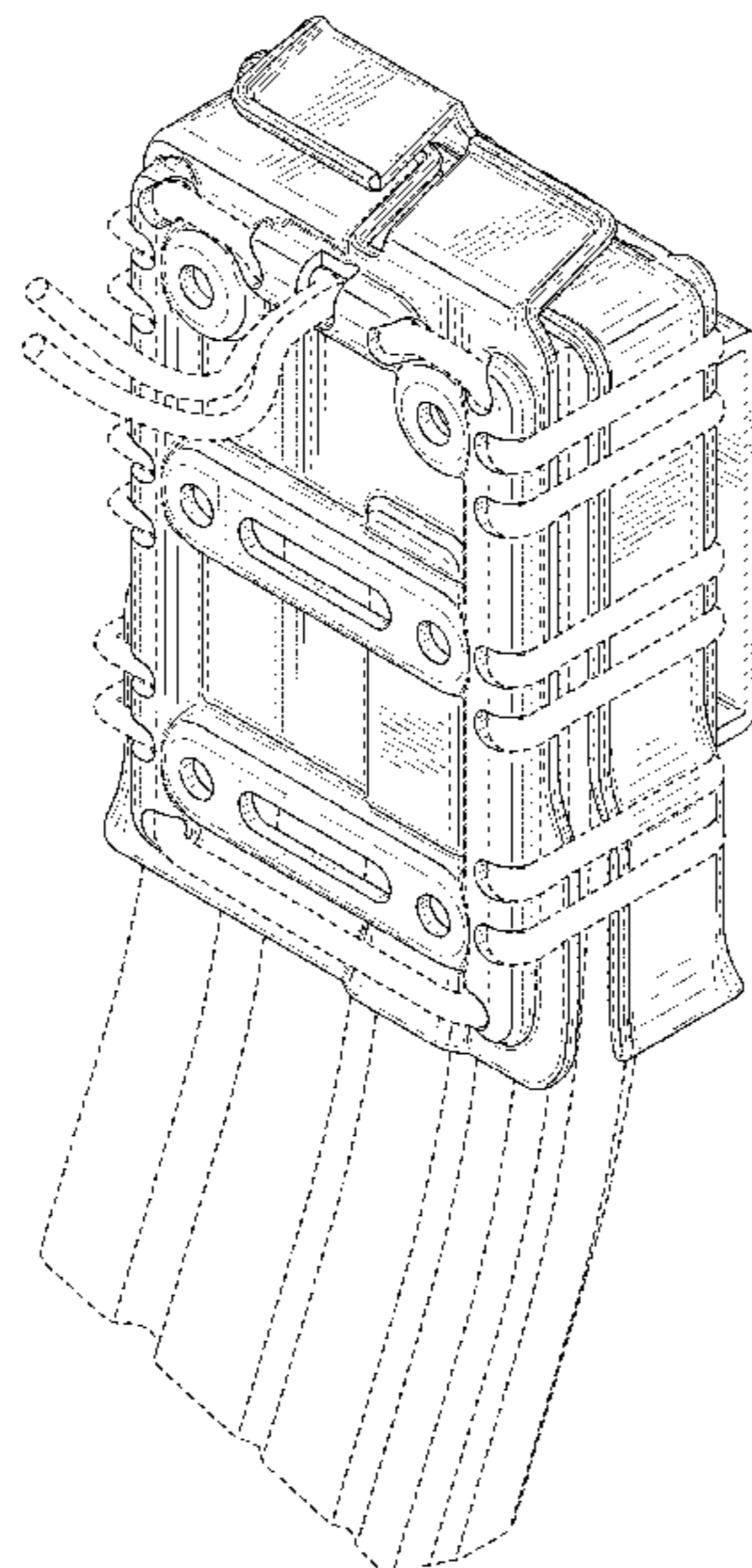
FIG. 6 is a right side view of the magazine retention device in FIG. 1.

FIG. 7 is a top view of the magazine retention device in FIG. 1; and,

FIG. 8 is a bottom view of the magazine retention device in FIG. 1.

The broken lines in FIG. 1 depict a magazine and retention straps that form no part of the claimed design.

1 Claim, 6 Drawing Sheets



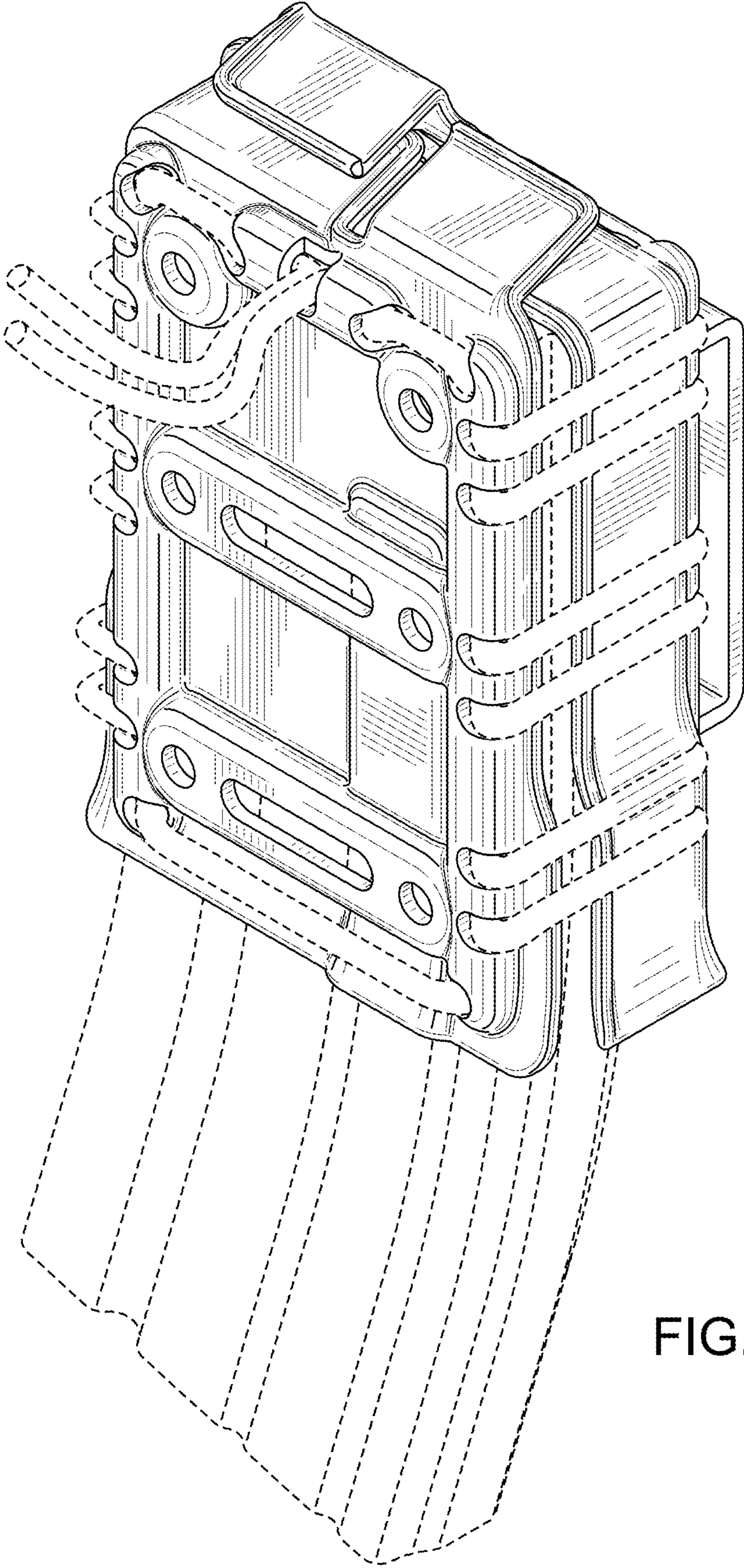


FIG. 1

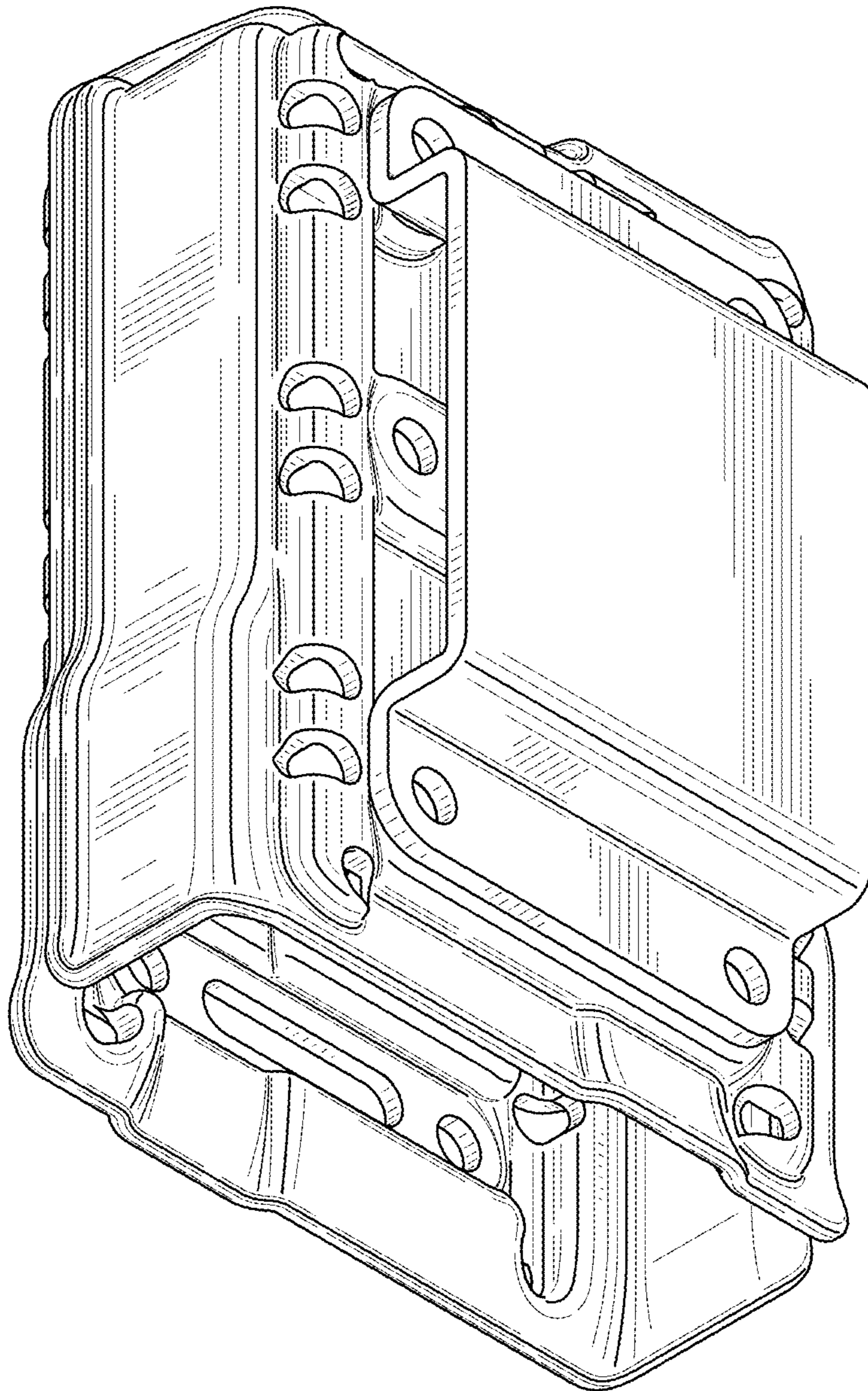


FIG. 2

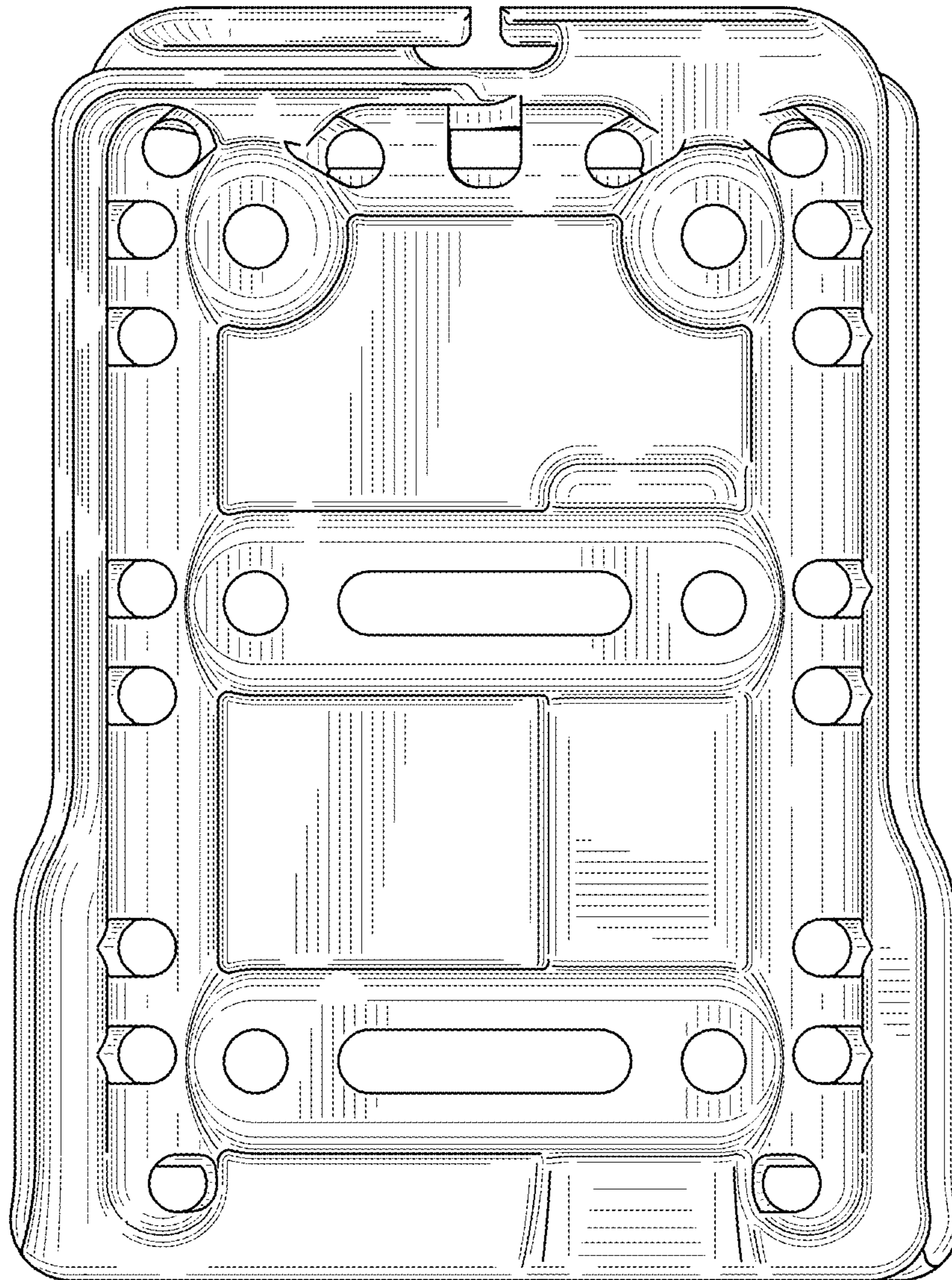


FIG. 3

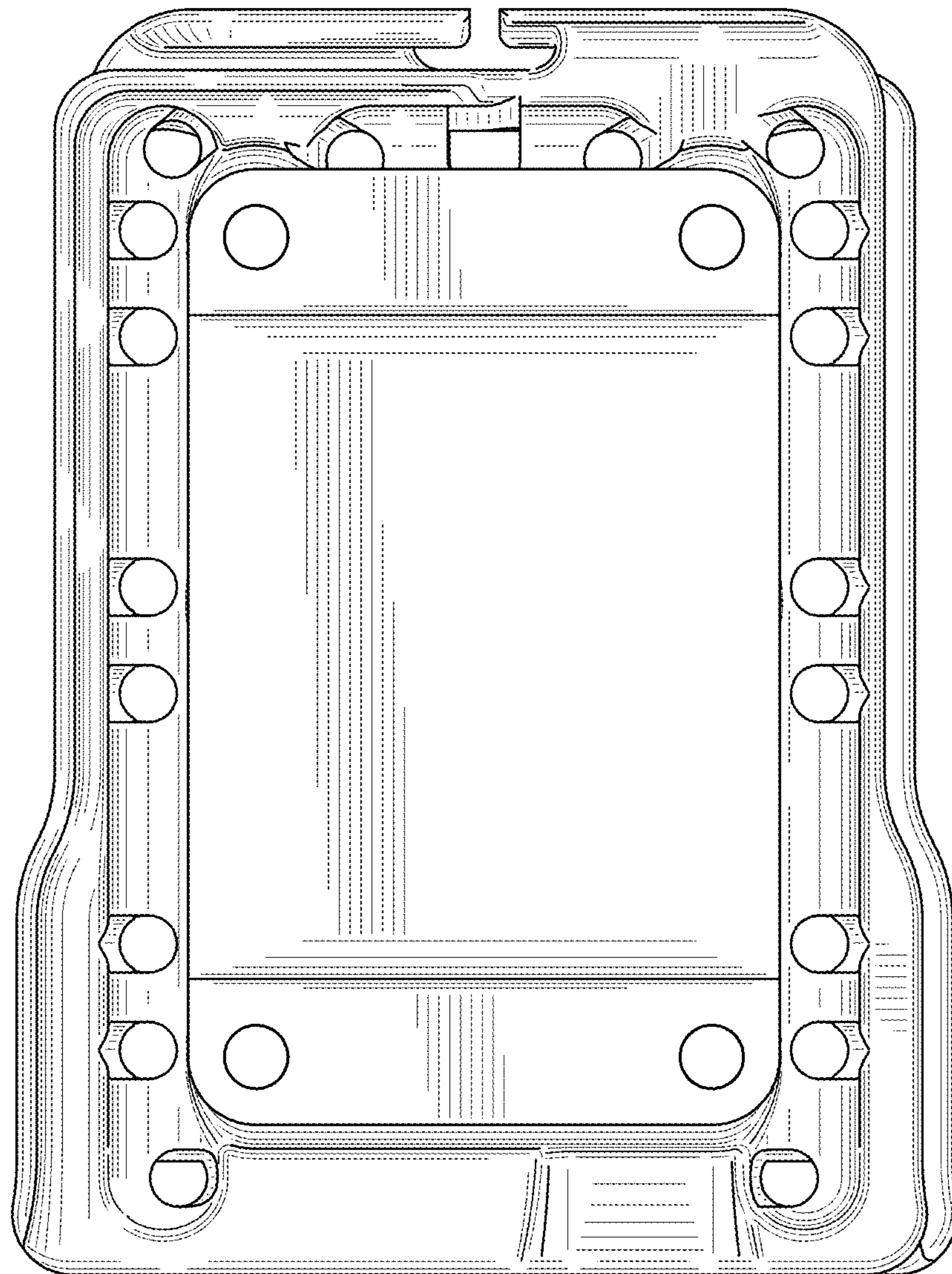


FIG. 4

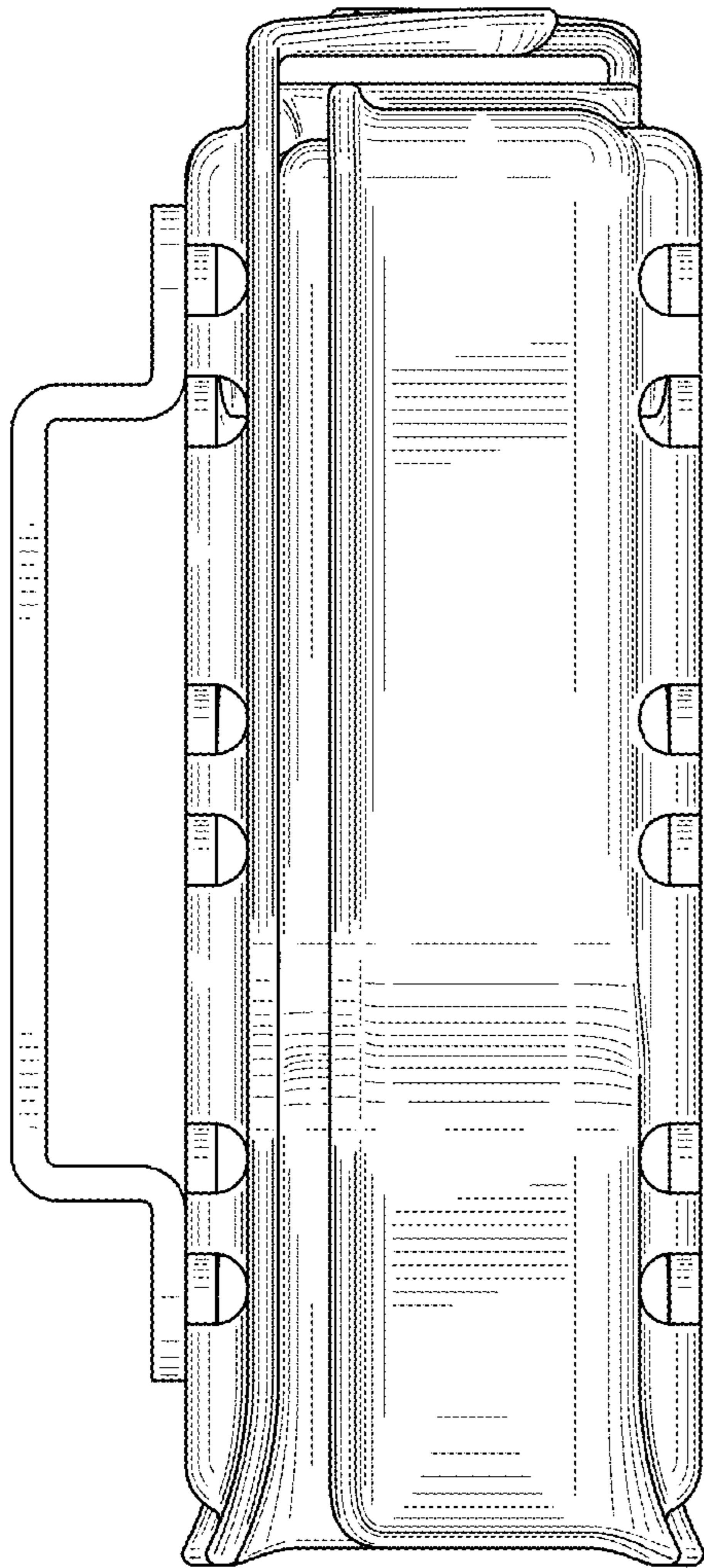


FIG. 5

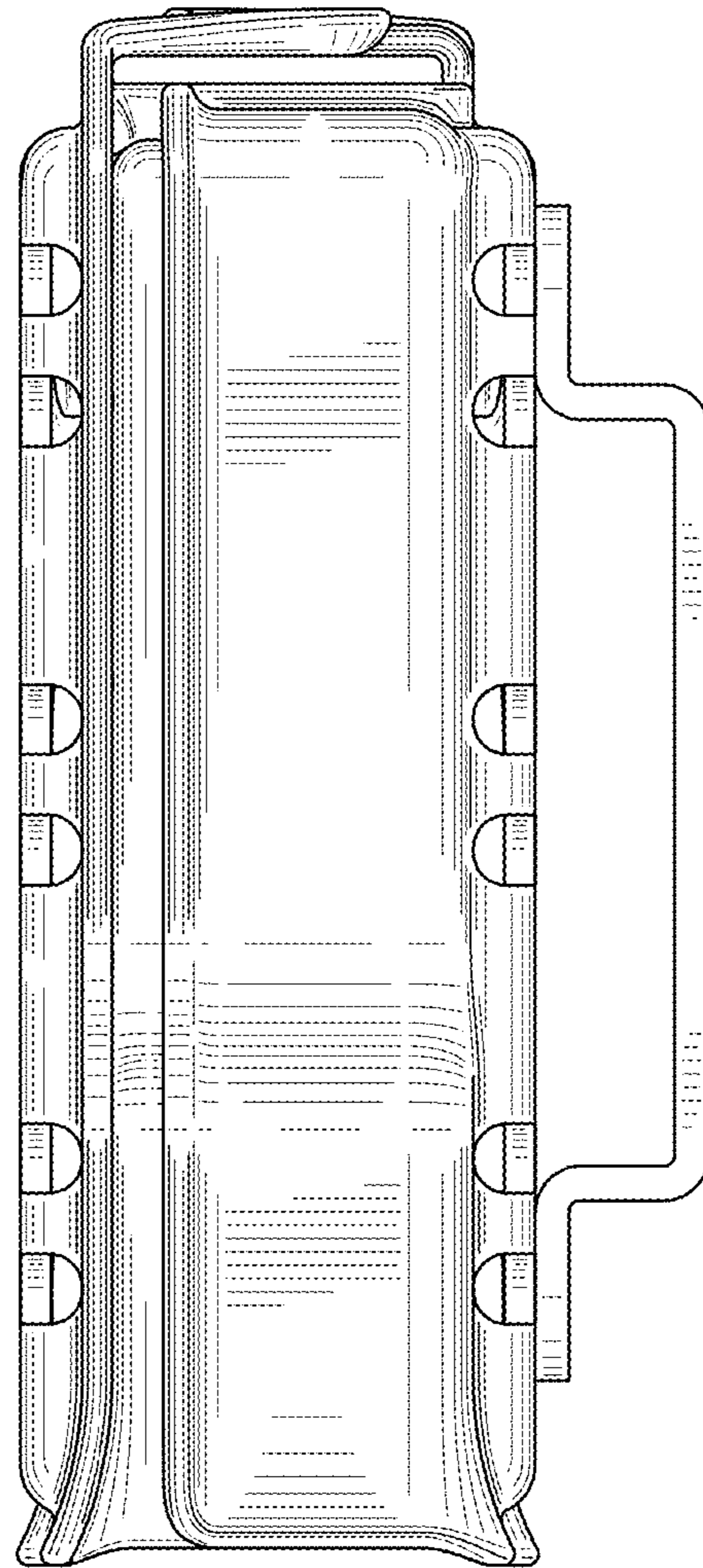


FIG. 6

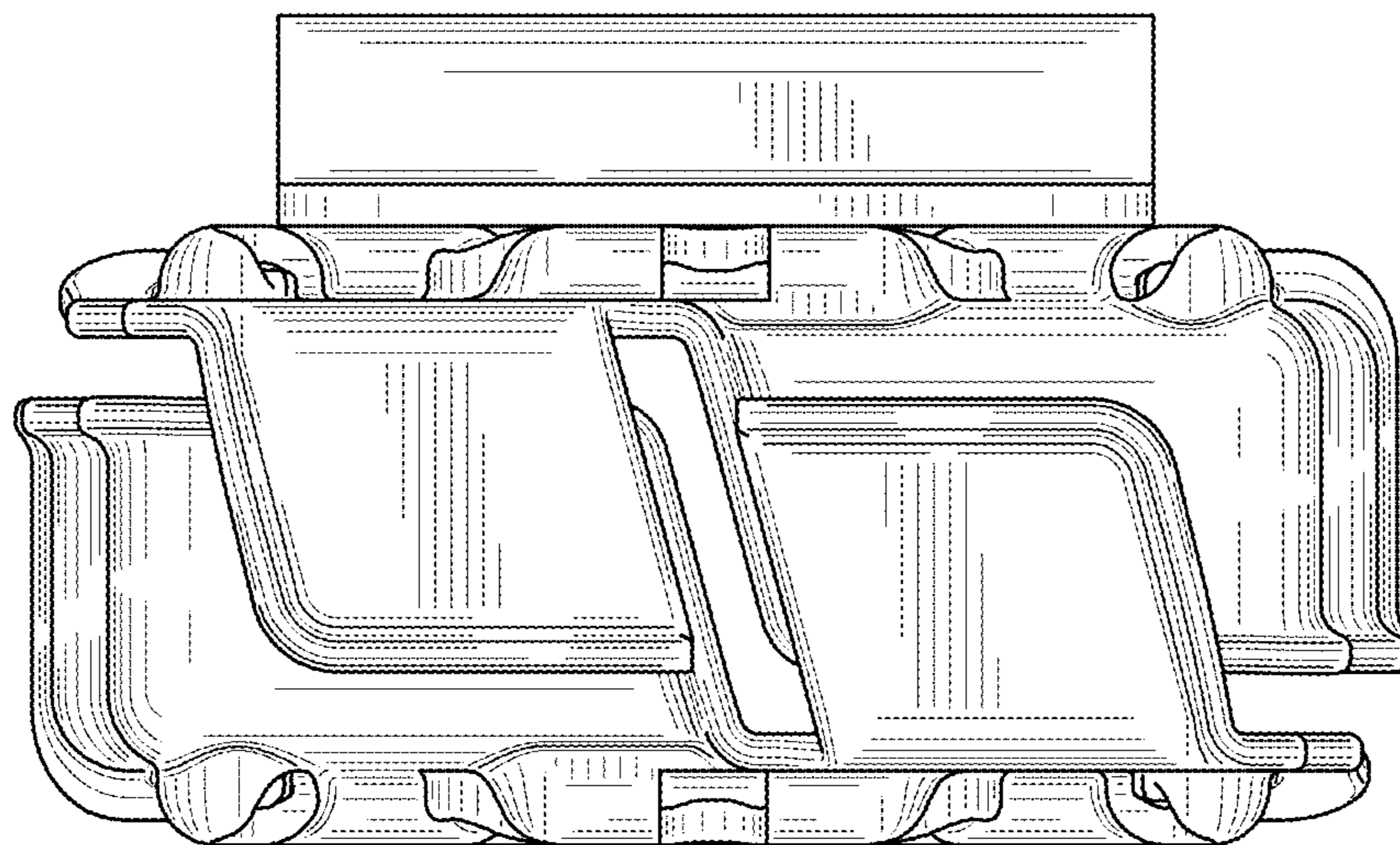


FIG. 7

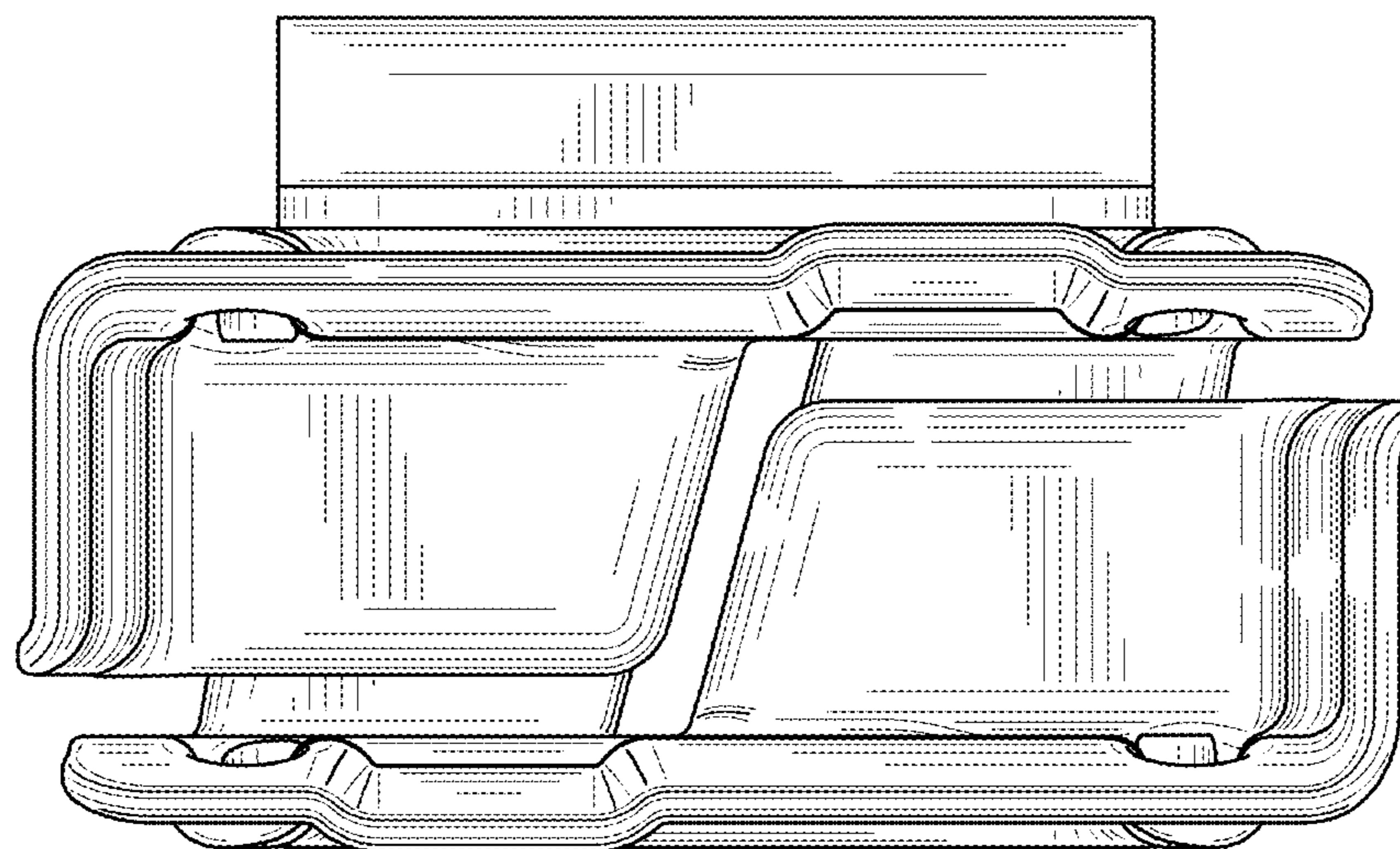


FIG. 8