



US00D772367S

(12) **United States Design Patent** (10) **Patent No.:** **US D772,367 S**
Wigant (45) **Date of Patent:** **** Nov. 22, 2016**

(54) **RECEIVER ADAPTER**

(71) Applicant: **Mark Wigant**, Madison Heights, MI (US)

(72) Inventor: **Mark Wigant**, Madison Heights, MI (US)

(**) Term: **14 Years**

(21) Appl. No.: **29/517,748**

(22) Filed: **Feb. 16, 2015**

(51) **LOC (10) Cl.** **22-01**

(52) **U.S. Cl.**
USPC **D22/108**

(58) **Field of Classification Search**
USPC D22/103, 108
CPC F41C 23/00; F41C 27/00; F41C 27/06;
F41C 23/10; F41C 23/14; F41C 23/16;
F41C 23/18; F41A 5/18; F41A 5/24; F41A
21/28

See application file for complete search history.

(56) **References Cited**

U.S. PATENT DOCUMENTS

6,374,528	B1 *	4/2002	Davis	F41C 23/00 42/71.01
8,769,855	B2 *	7/2014	Law	F41C 23/14 42/73
D726,277	S *	4/2015	Mayberry	D22/108
2009/0282718	A1 *	11/2009	Bartley	F41G 11/003 42/75.03
2012/0297656	A1 *	11/2012	Langevin	F41A 3/66 42/16
2015/0075051	A1 *	3/2015	Law	F41C 23/14 42/75.03
2015/0198394	A1 *	7/2015	Hochstrate	F41A 3/26 42/17
2015/0300774	A1 *	10/2015	Wheaton	F41C 23/12 42/72
2016/0047614	A1 *	2/2016	Larson, Jr.	F41A 5/28 89/191.01
2016/0061559	A1 *	3/2016	Wood	F41C 23/14 42/73

OTHER PUBLICATIONS

“AR (Comm/Mil Spec) Threaded Stock Adapter for PAP M92/M85”, 12 pgs. Retrieved from the Internet on Mar. 12, 2015: <URL:http://www.usmachinegun.com/proddetail.php?prod_PAP-SAAR>.

* cited by examiner

Primary Examiner — Michael A Pratt

(74) *Attorney, Agent, or Firm* — Mueting, Raasch & Gebhardt, P.A.

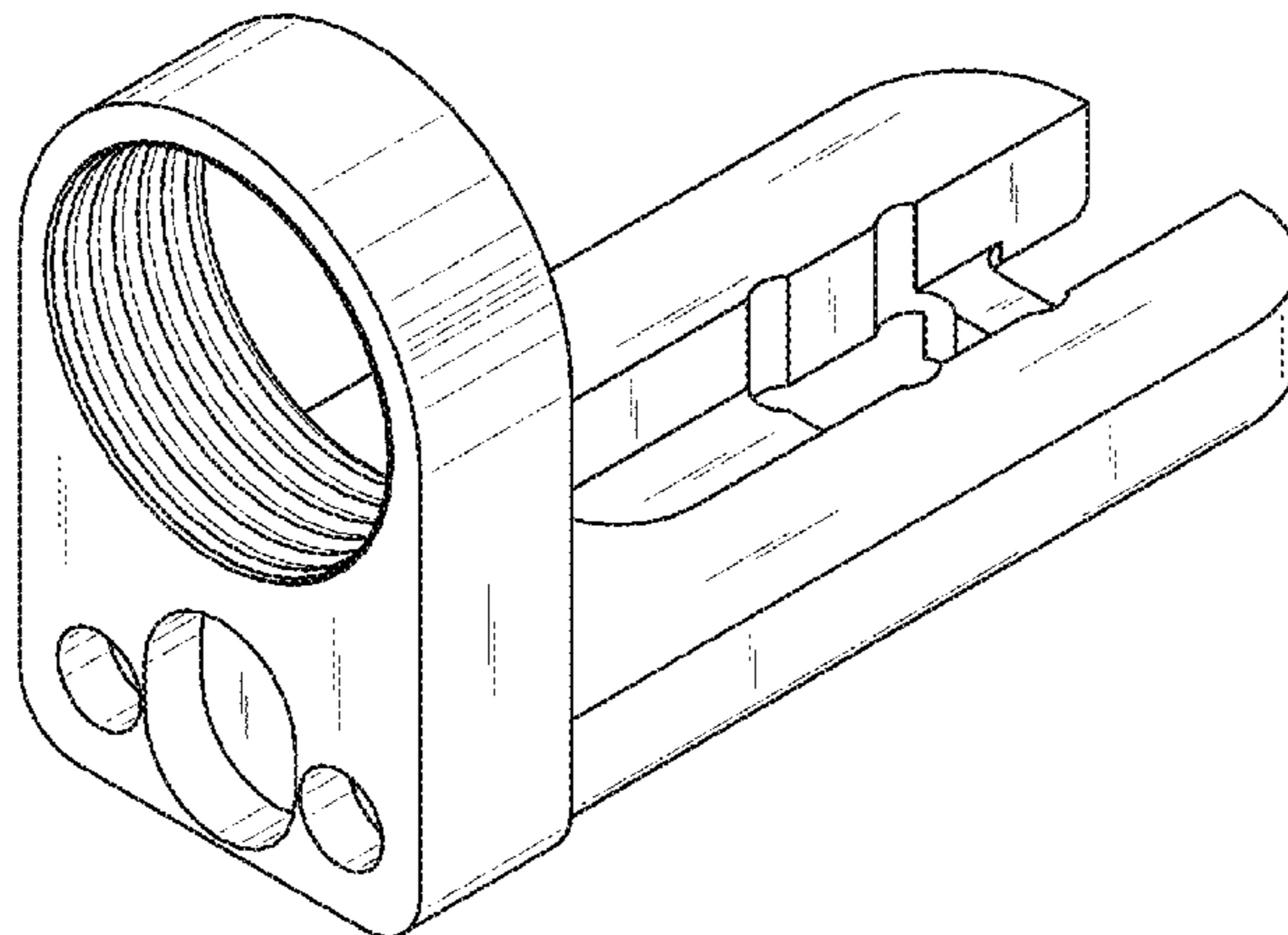
(57) **CLAIM**

The ornamental design for receiver adapter, as shown and described.

DESCRIPTION

FIG. 1 is a perspective view of one embodiment of a receiver adapter of the claimed design;
FIG. 2 is a rear view of the adapter of FIG. 1;
FIG. 3 is a front view of the adapter of FIG. 1;
FIG. 4 is a right side view of the adapter of FIG. 1;
FIG. 5 is a left side view of the adapter of FIG. 1;
FIG. 6 is a top view of the adapter of FIG. 1;
FIG. 7 is a bottom view of the adapter of FIG. 1;
FIG. 8 is a perspective view of another embodiment of a receiver adapter of the claimed design;
FIG. 9 is a rear view of the adapter of FIG. 8;
FIG. 10 is a front view of the adapter of FIG. 8;
FIG. 11 is a right side view of the adapter of FIG. 8;
FIG. 12 is a left side view of the adapter of FIG. 8;
FIG. 13 is a top view of the adapter of FIG. 8; and,
FIG. 14 is a bottom view of the adapter of FIG. 8.
Applicants reserve the right to convert any portion or all of any or all of the broken lines to solid lines so that the feature or features described by any of the converted lines forms a part of the claimed design.

1 Claim, 8 Drawing Sheets



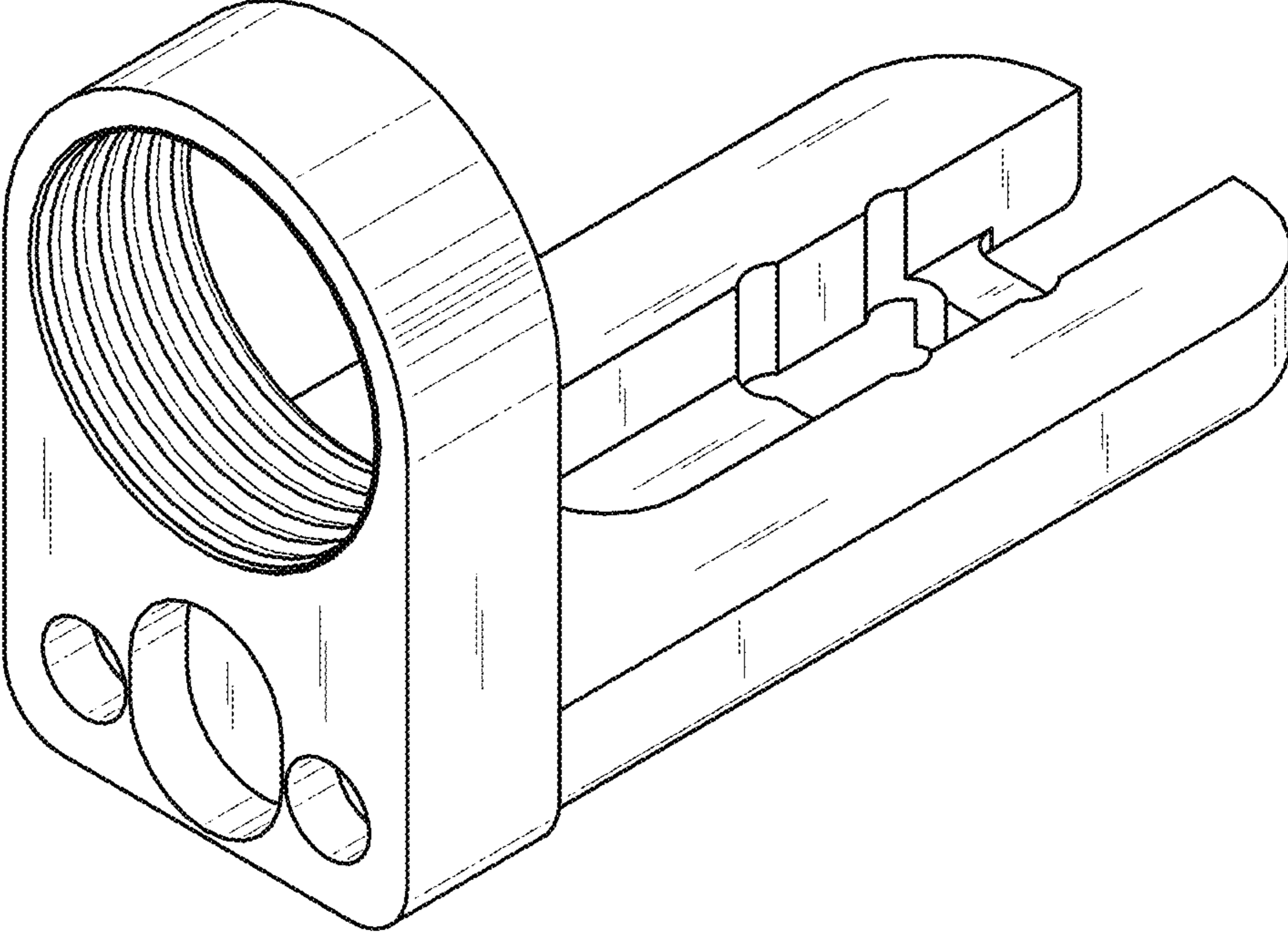


Fig. 1

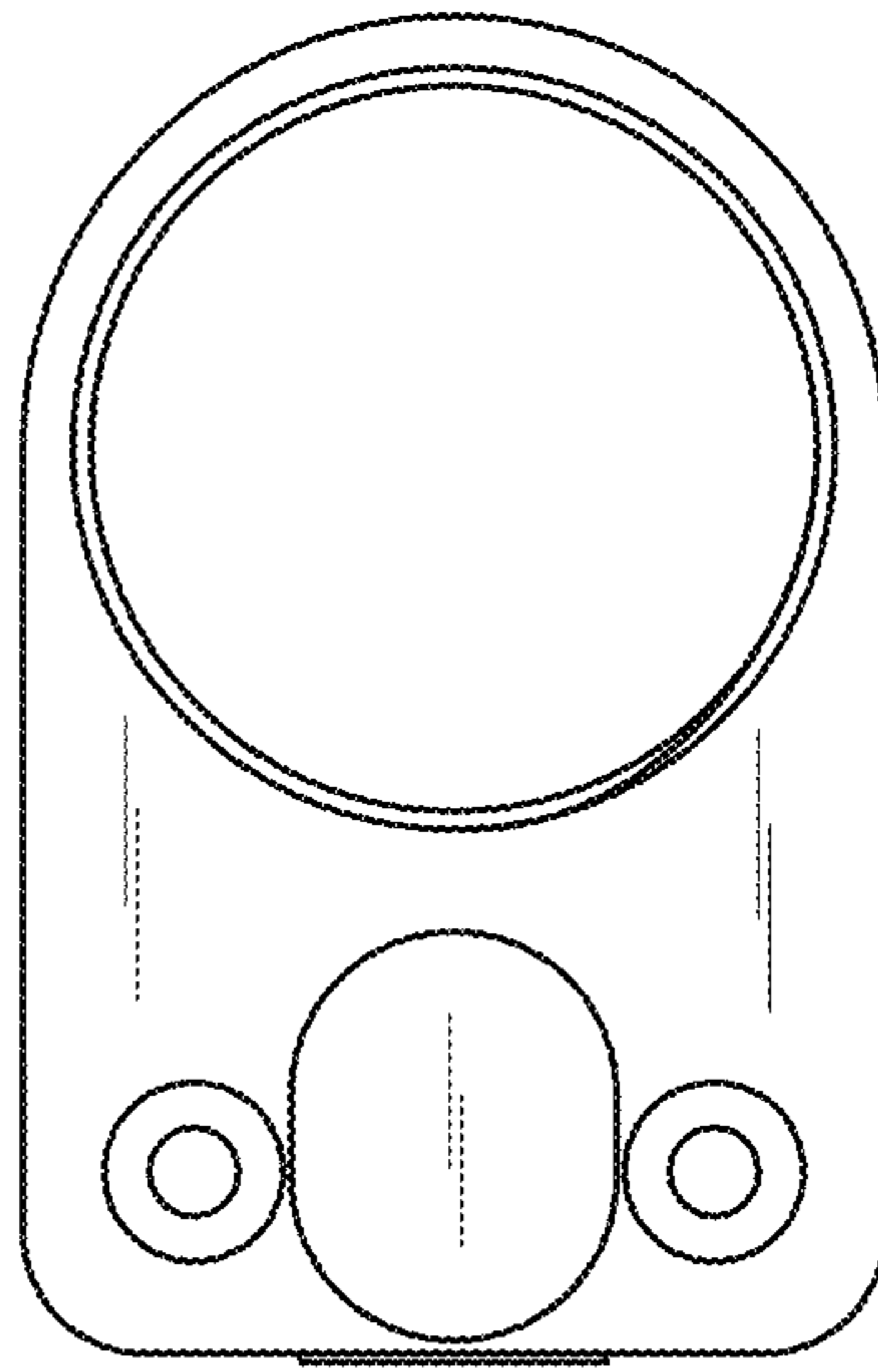


Fig. 2

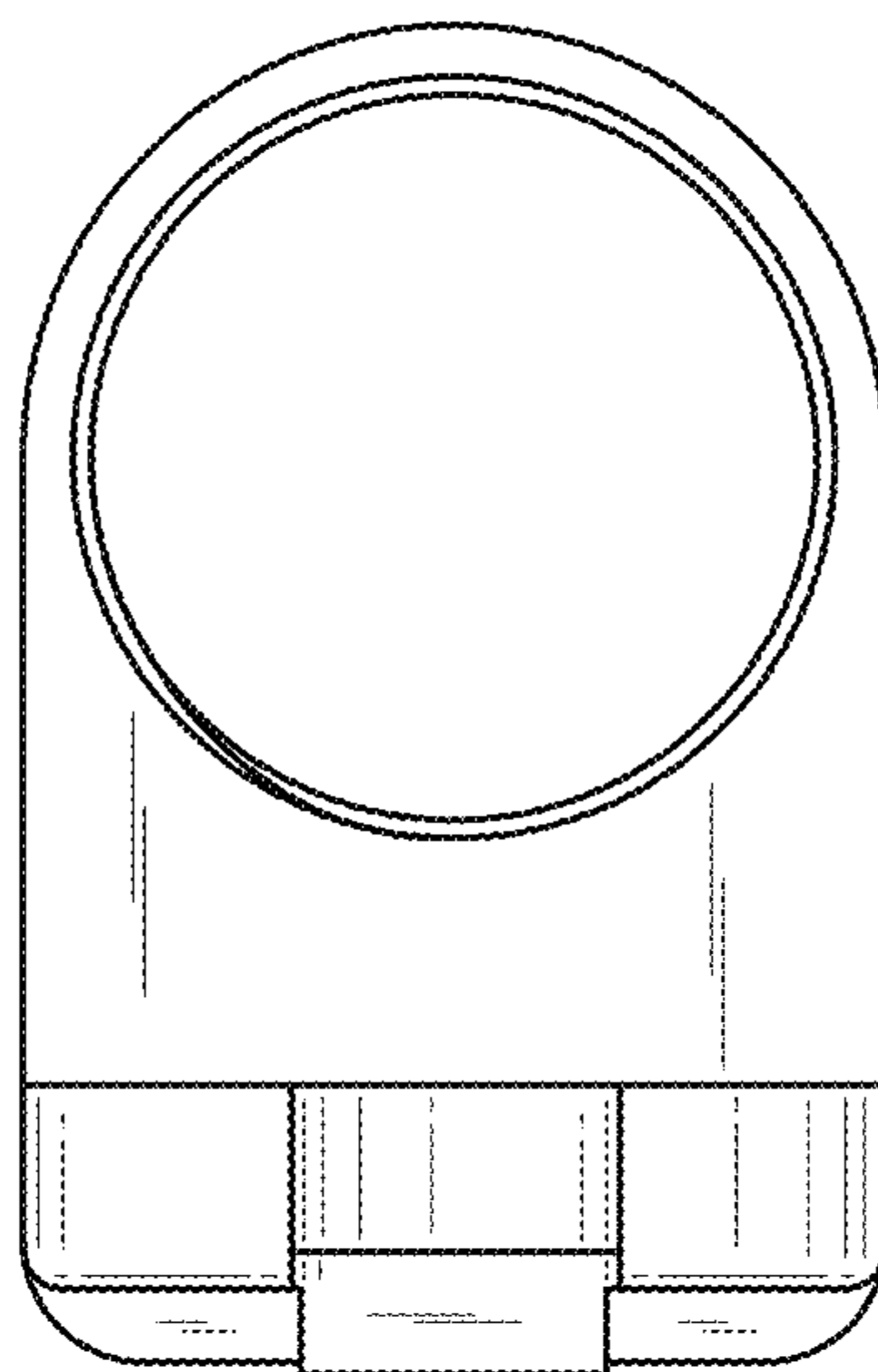


Fig. 3



Fig. 4

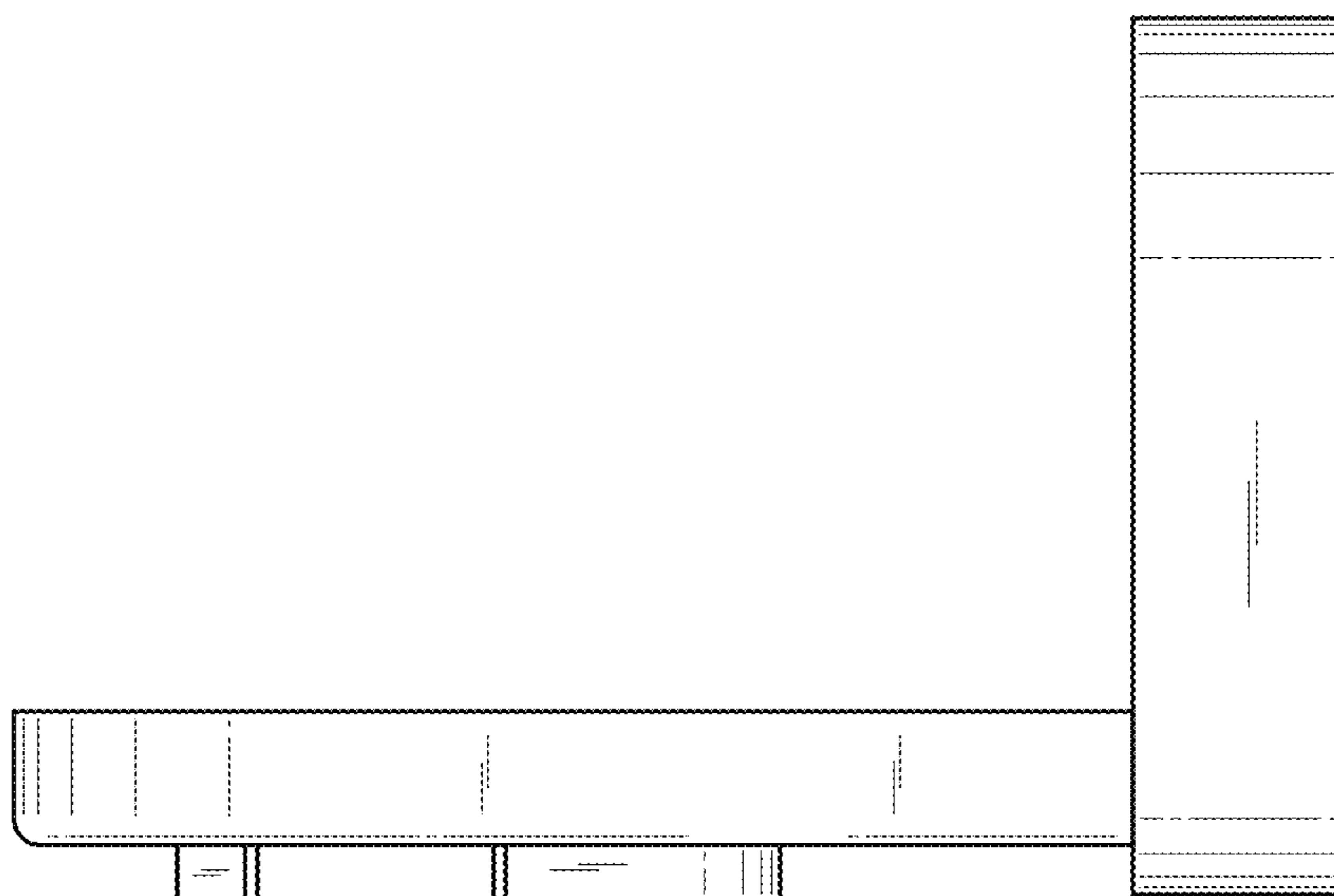


Fig. 5

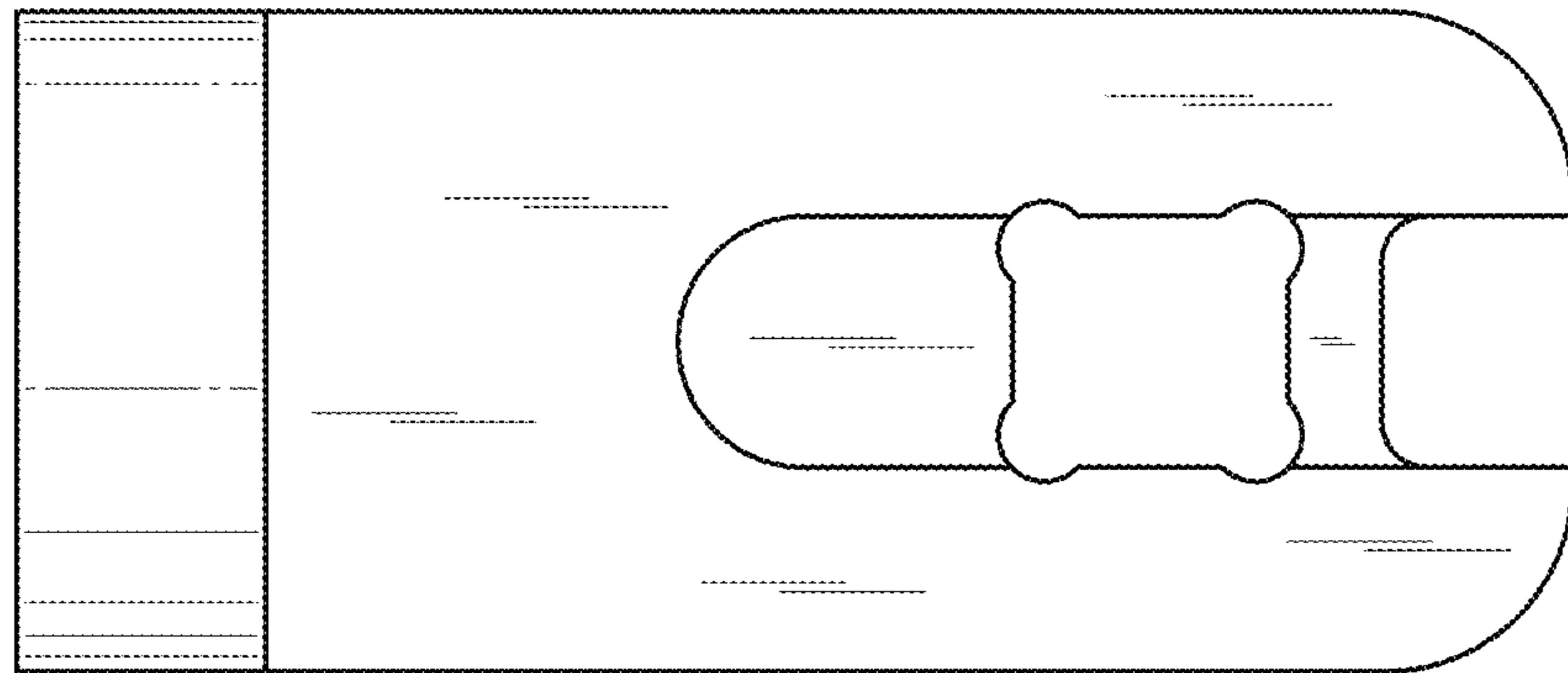


Fig. 6

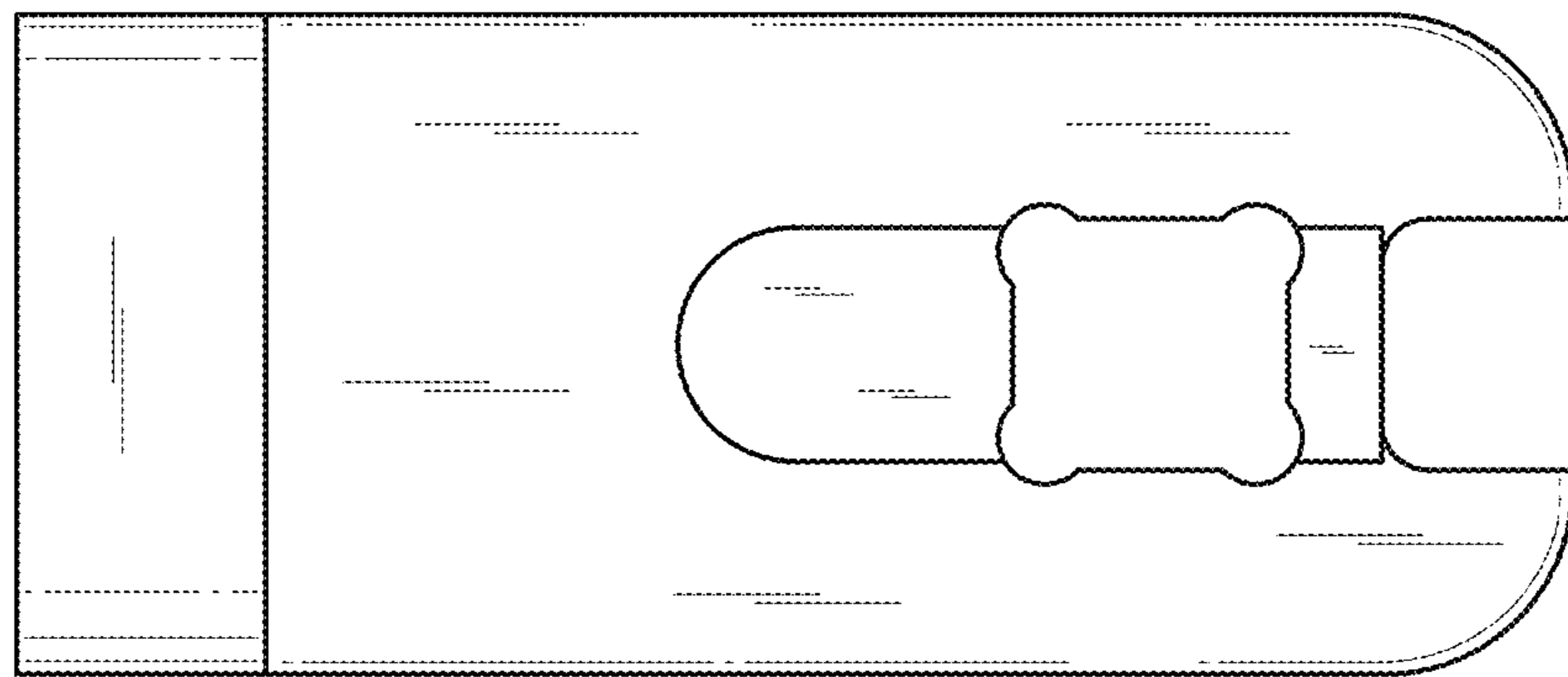


Fig. 7

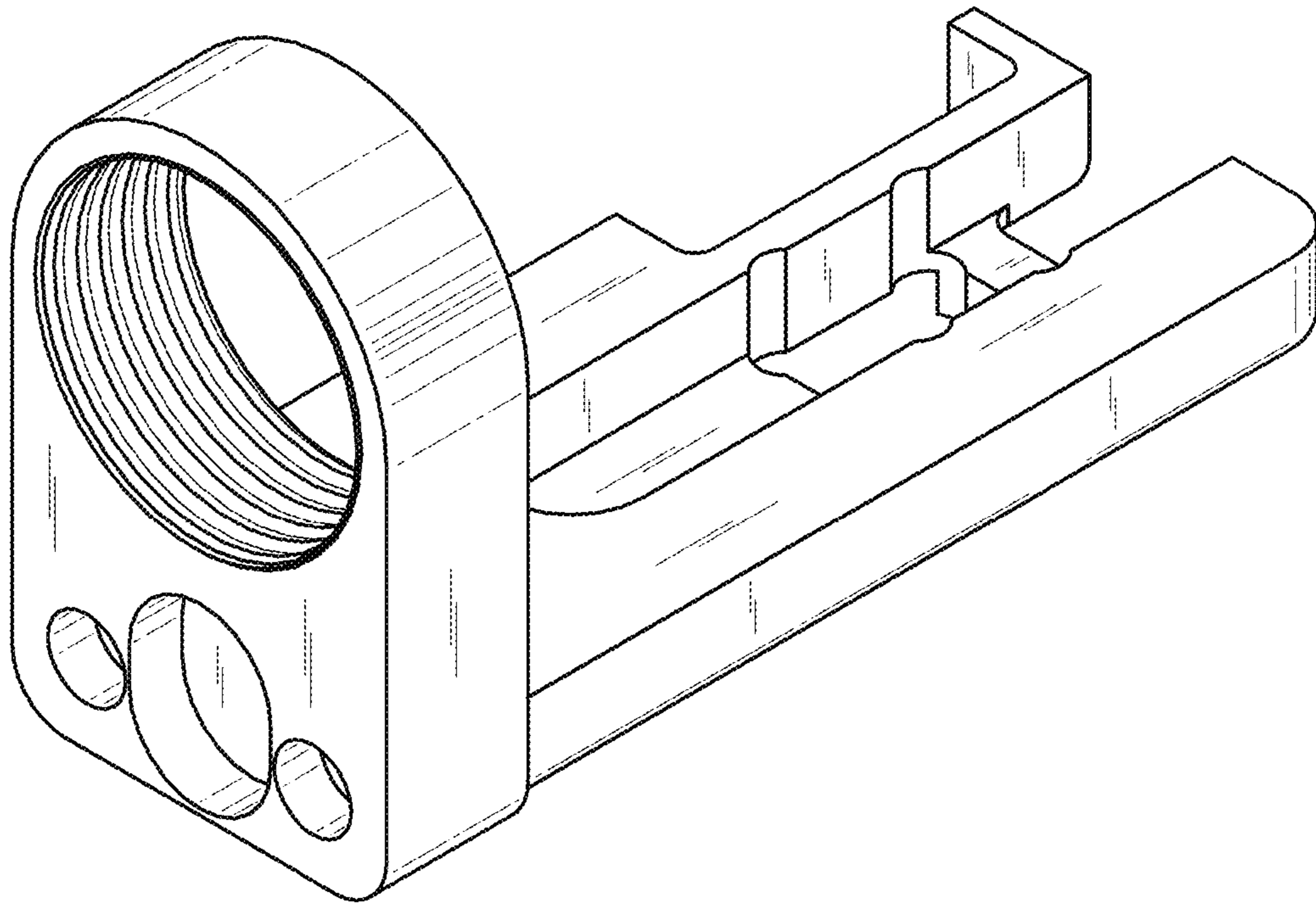


Fig. 8

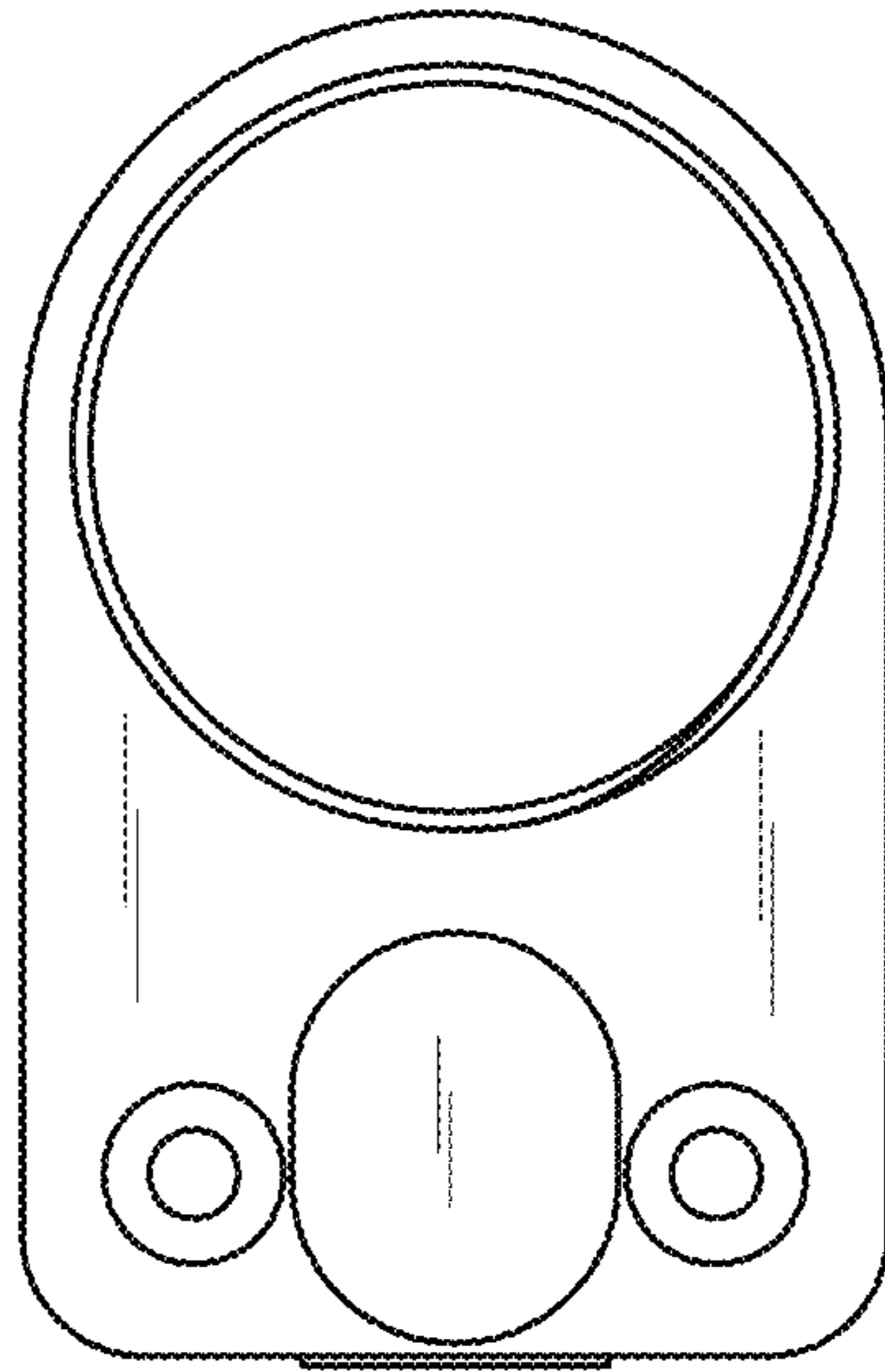


Fig. 9

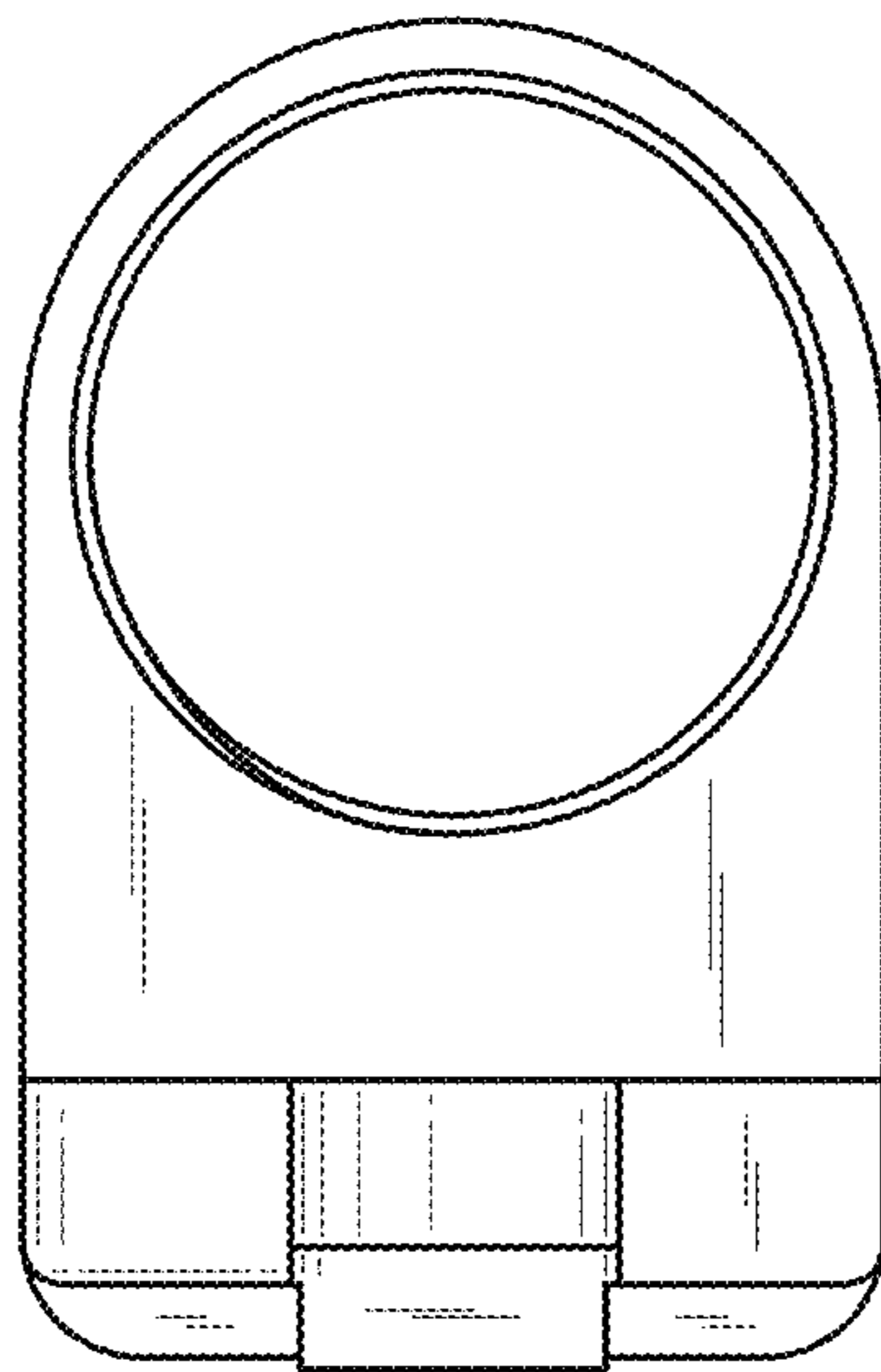


Fig. 10

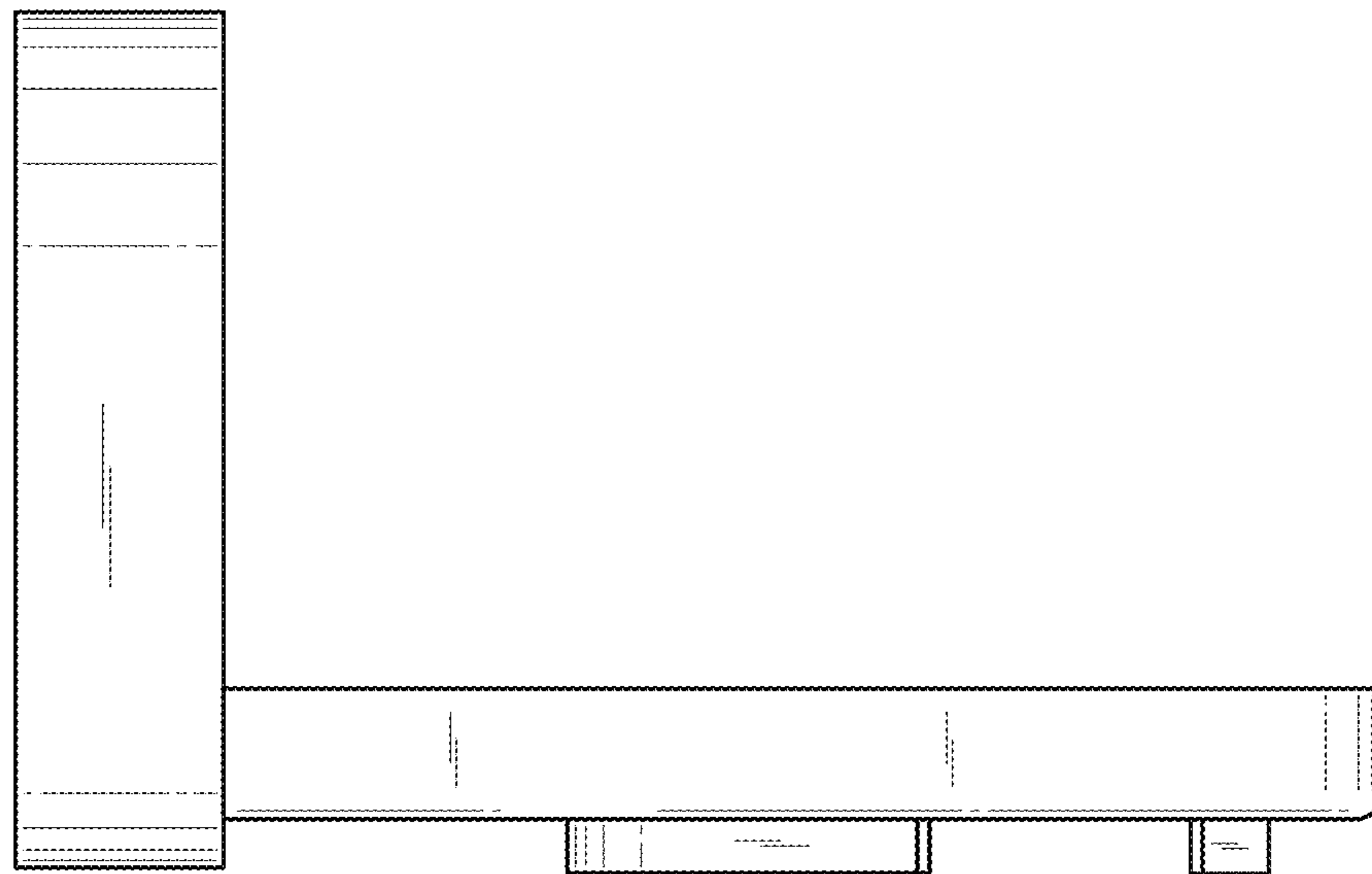


Fig. 11



Fig. 12

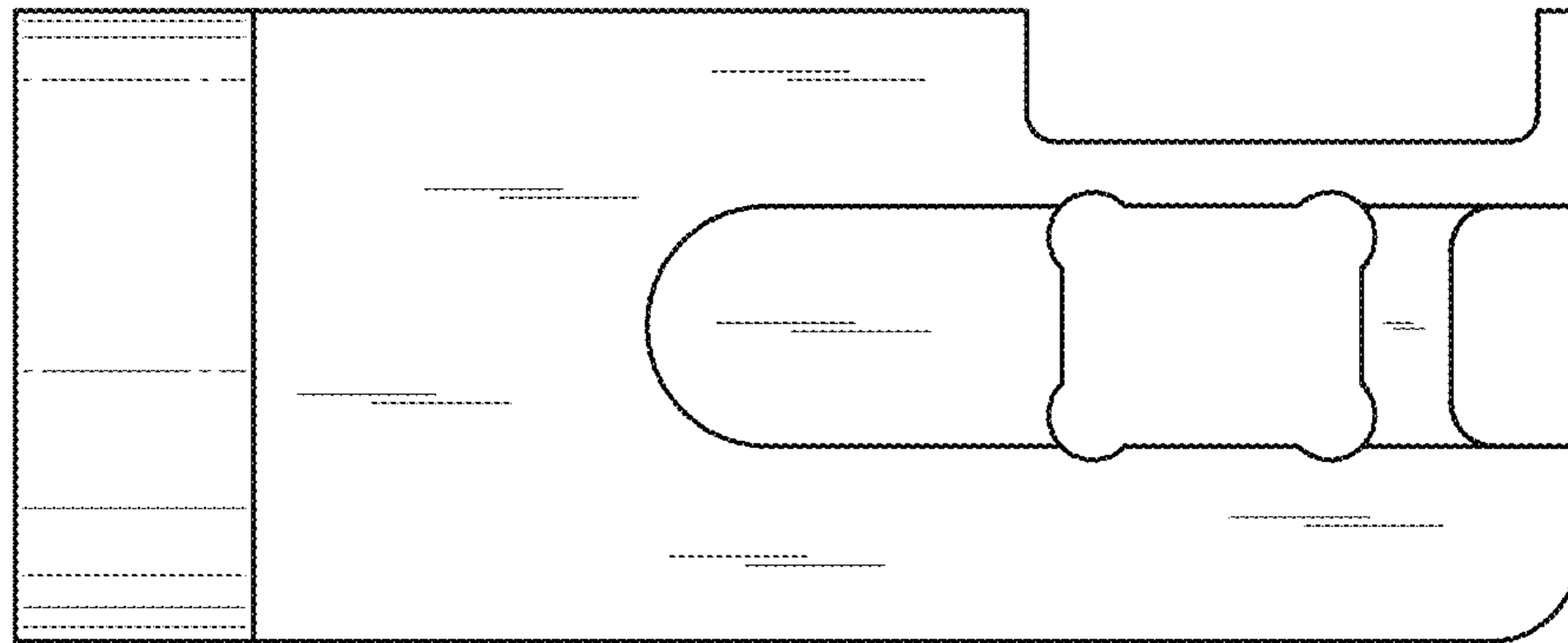


Fig. 13

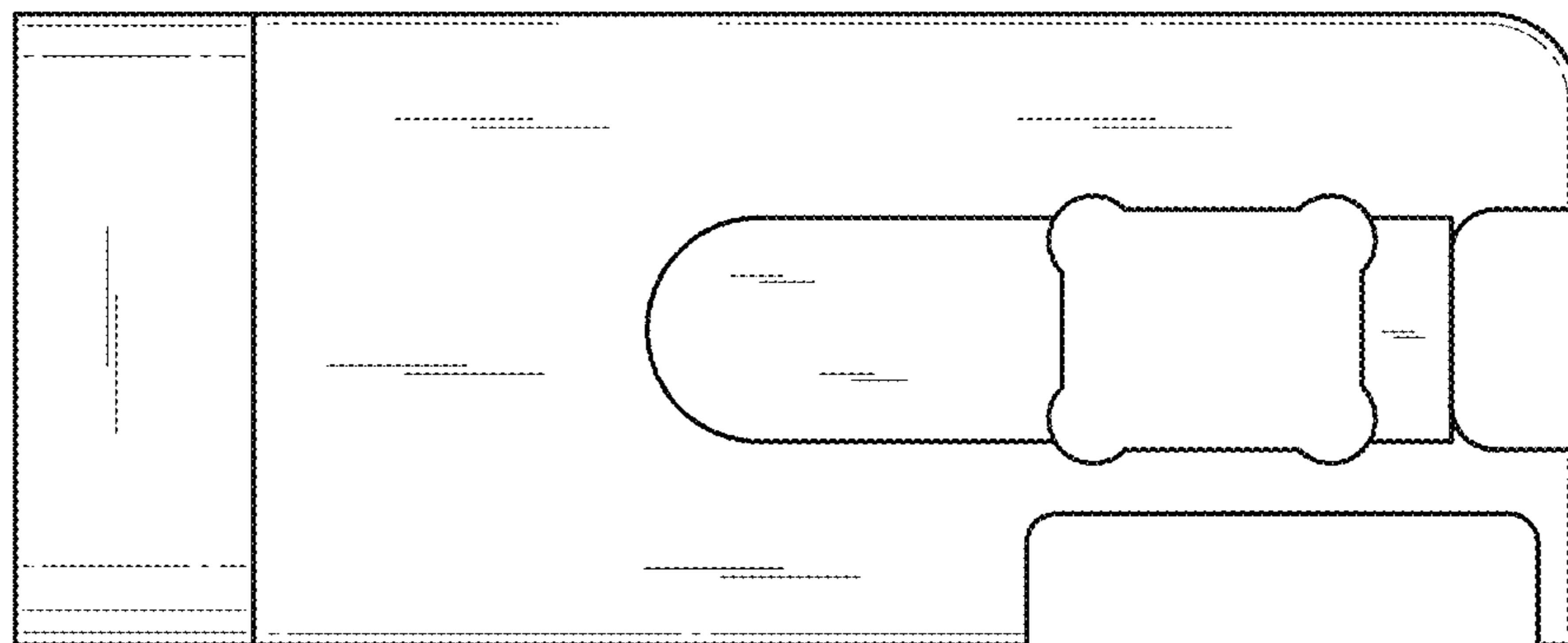


Fig. 14