



US00D772366S

(12) **United States Design Patent**
Purvis

(10) **Patent No.:** **US D772,366 S**

(45) **Date of Patent:** **** Nov. 22, 2016**

(54) **BOW SIGHT**

(71) Applicant: **Edward Purvis**, Somerset, KY (US)

(72) Inventor: **Edward Purvis**, Somerset, KY (US)

(**) Term: **14 Years**

(21) Appl. No.: **29/526,502**

(22) Filed: **May 11, 2015**

(51) **LOC (10) Cl.** **22-01**

(52) **U.S. Cl.**

USPC **D22/107**

(58) **Field of Classification Search**

USPC D22/107; D21/571, 575

CPC F41B 5/1403; F41B 5/10; F41B 5/14;

F41B 5/0031; F41B 5/00; F41B 5/1484;

F41B 5/1426; F16F 7/108

See application file for complete search history.

(56) **References Cited**

U.S. PATENT DOCUMENTS

7,543,390 B2 * 6/2009 Bach F41G 1/467
124/87

7,698,824 B2 * 4/2010 Wilson F41G 1/01
124/87

7,975,391 B1 * 7/2011 Gillingham F41G 1/467
124/87

7,997,261 B2 * 8/2011 Scaniffe F41G 1/44
124/86

2005/0138824 A1 * 6/2005 Afshari F41G 1/467
33/265

* cited by examiner

Primary Examiner — Michael A Pratt

(74) *Attorney, Agent, or Firm* — Vincent G. LoTempio;
Kloss, Stenger & LoTempio; David T. Stephenson

(57) **CLAIM**

The ornamental design for a bow sight, as shown and described.

DESCRIPTION

FIG. 1 is a perspective view of the bow sight showing my new design;

FIG. 2 is a top view thereof;

FIG. 3 is bottom view thereof;

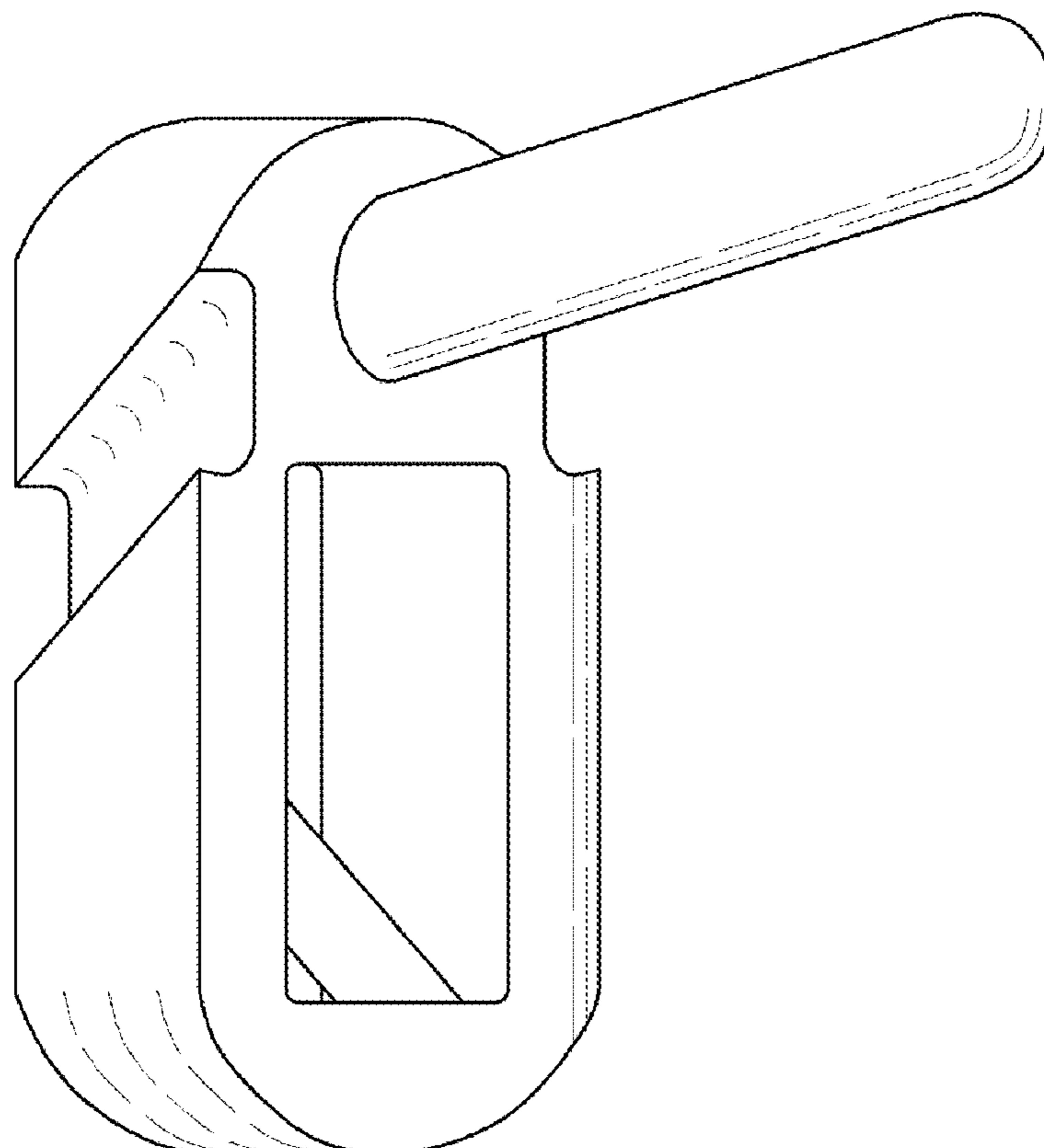
FIG. 4 is a back view thereof;

FIG. 5 is right side view thereof;

FIG. 6 is a side view thereof; and,

FIG. 7 is a front view thereof.

1 Claim, 4 Drawing Sheets



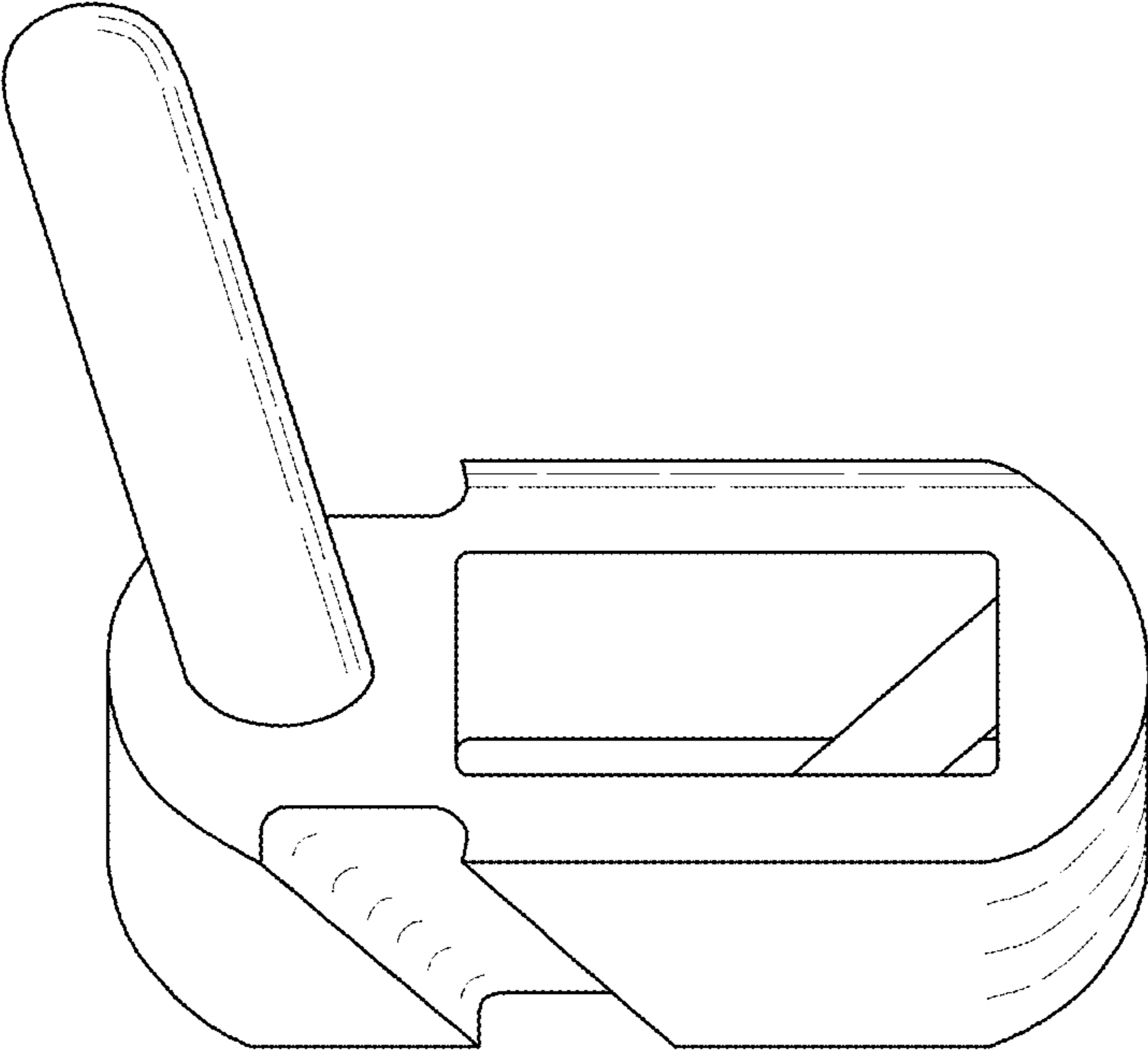


FIG. 1

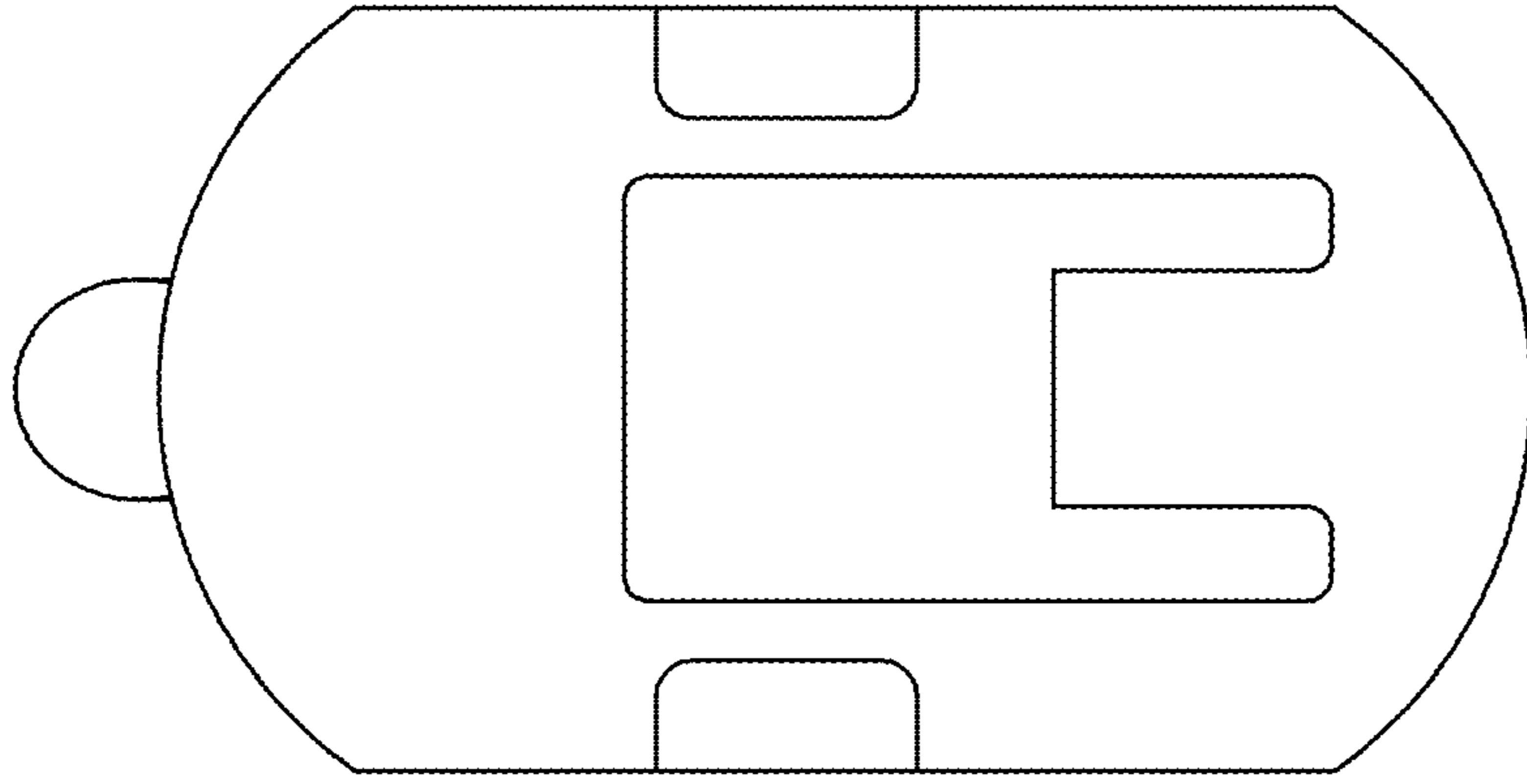


FIG. 3

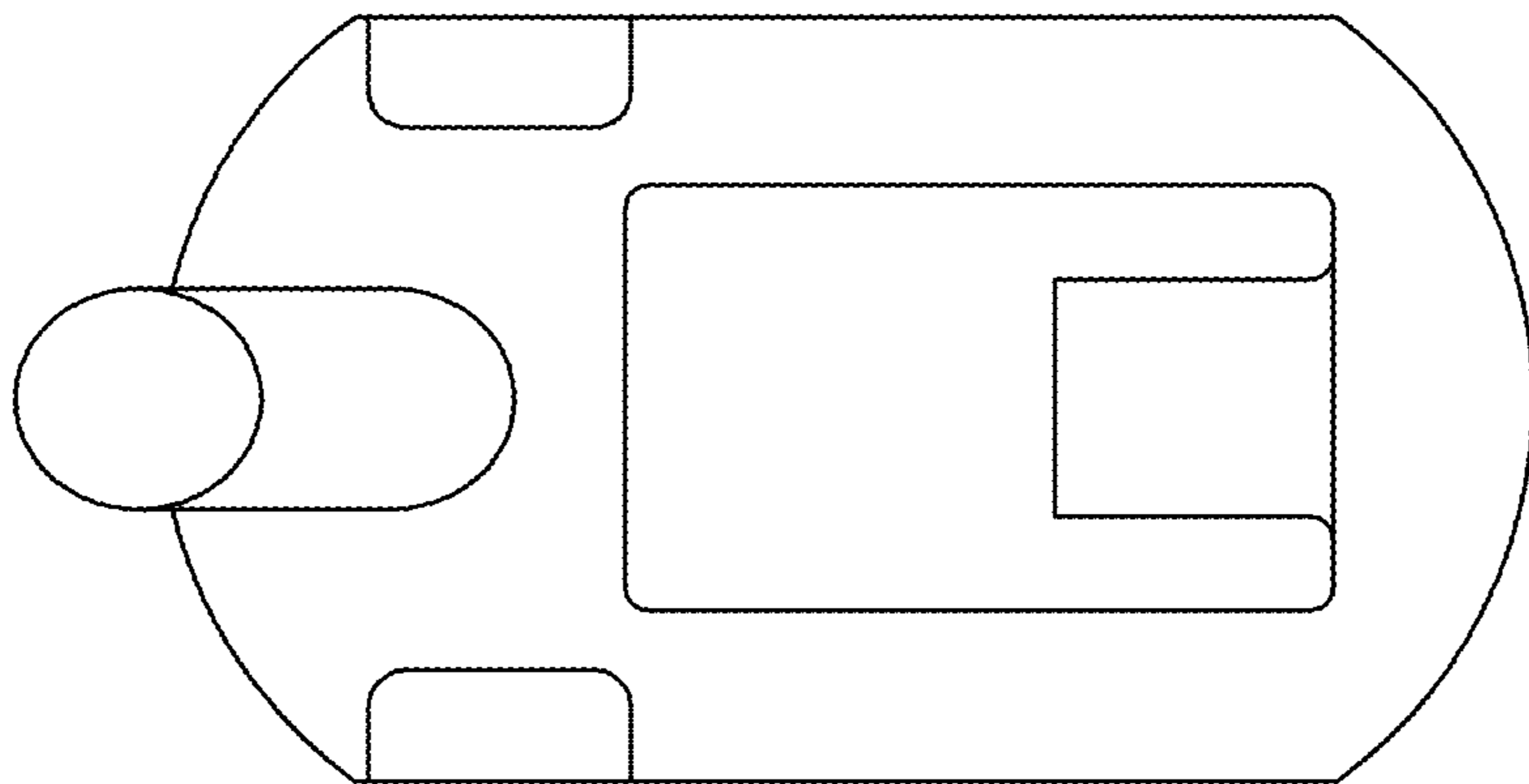


FIG. 2

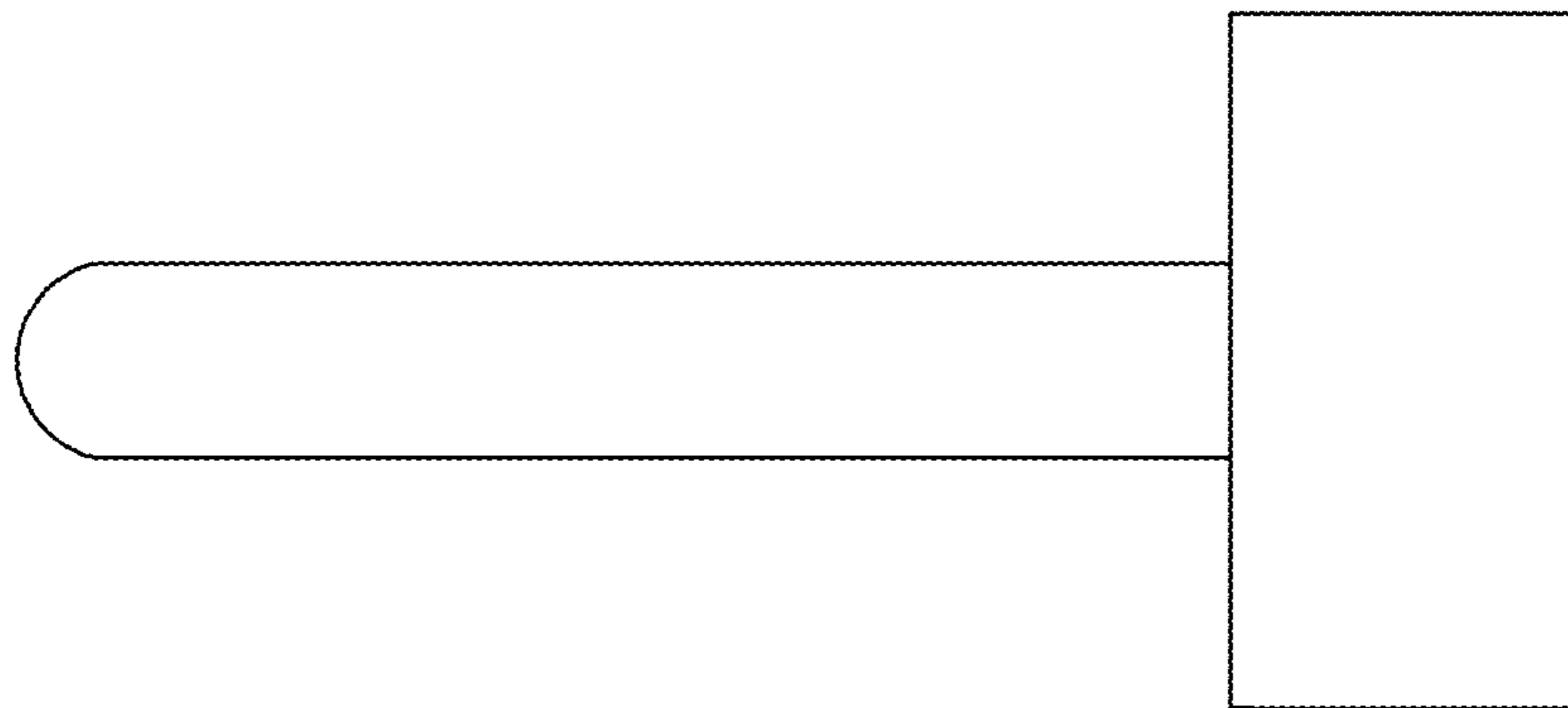


FIG. 4

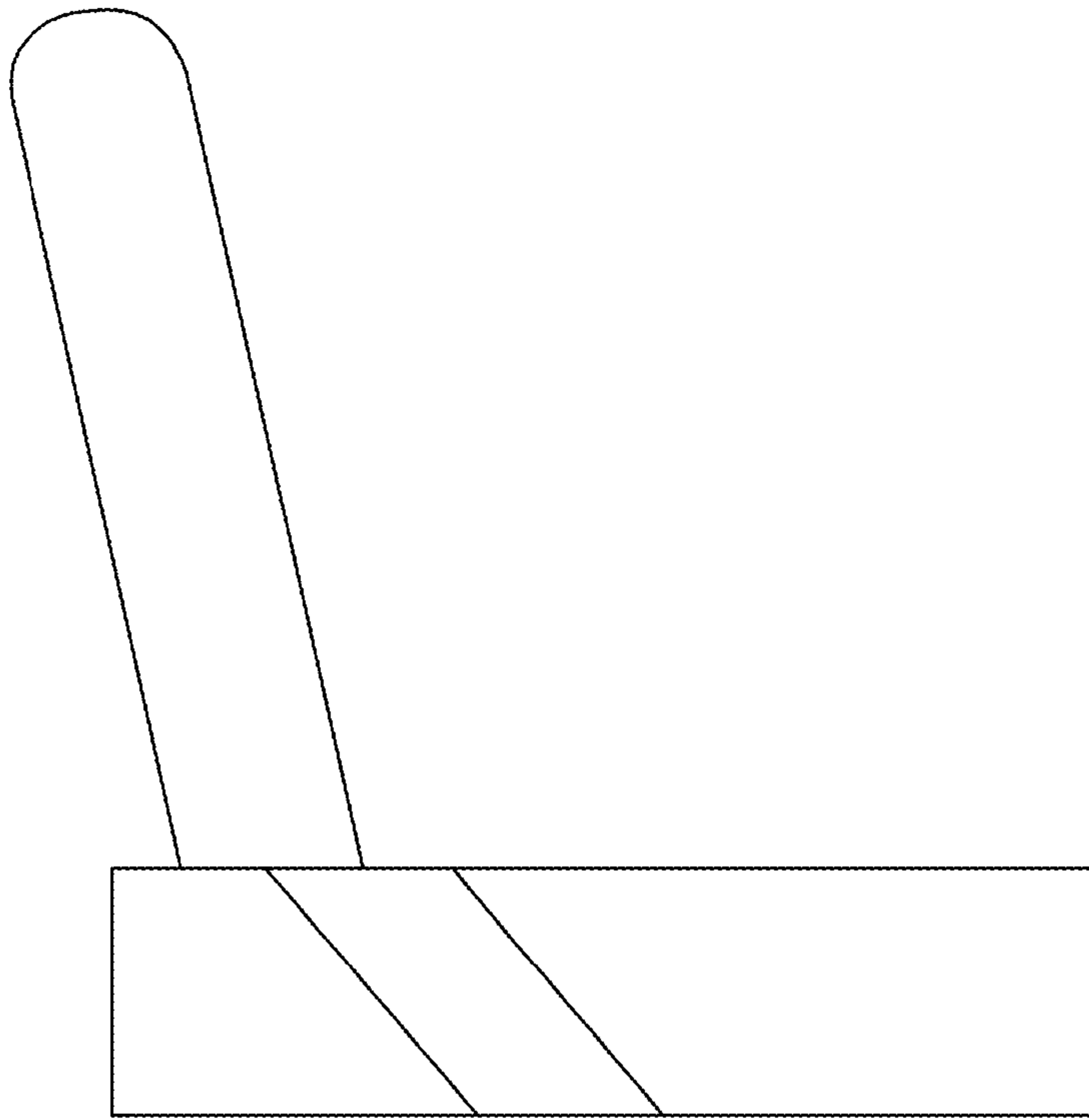


FIG. 5

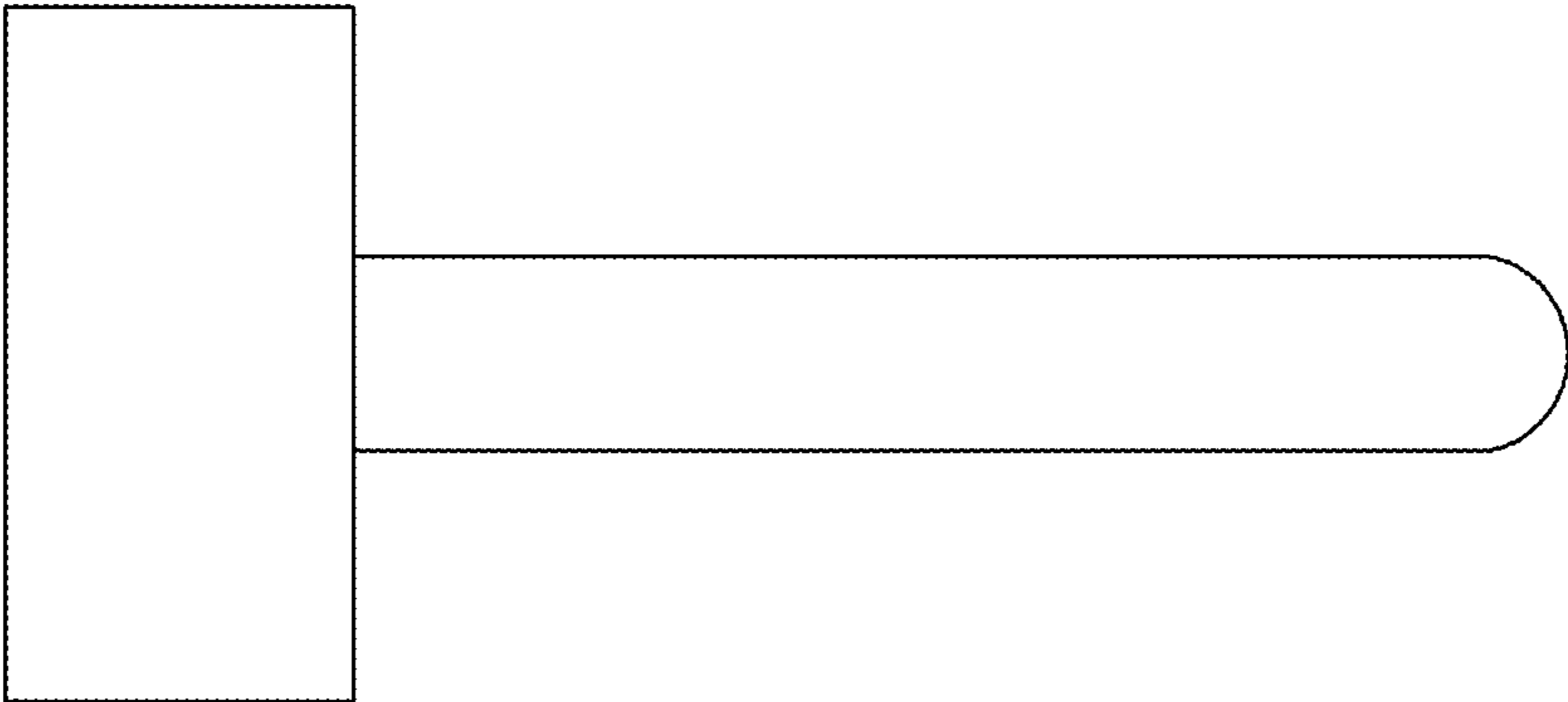


FIG. 7

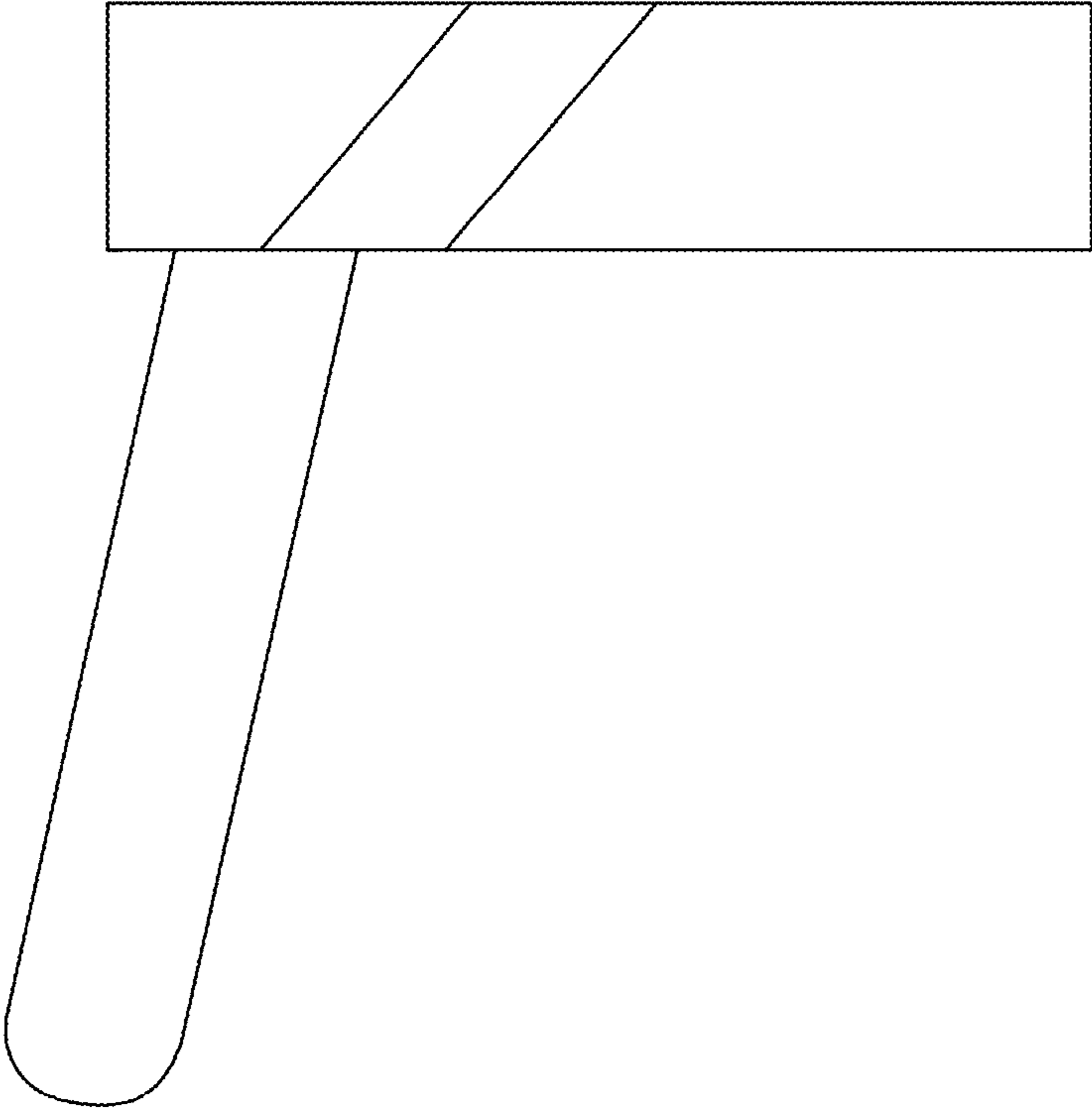


FIG. 6