



US00D772363S

(12) **United States Design Patent** (10) **Patent No.:** **US D772,363 S**
Stoesz (45) **Date of Patent:** **** Nov. 22, 2016**

(54) **WAVE POOL FOR CHILDREN**
(71) Applicant: **Robert Stoesz**, Cleburne, TX (US)
(72) Inventor: **Robert Stoesz**, Cleburne, TX (US)
(**) Term: **15 Years**
(21) Appl. No.: **29/535,470**
(22) Filed: **Aug. 6, 2015**
(51) **LOC (10) Cl.** **21-03**
(52) **U.S. Cl.**
USPC **D21/816**
(58) **Field of Classification Search**
USPC D21/815, 816; D25/2
CPC A63H 33/32; E04H 4/00-4/0062;
E04H 2004/0068
See application file for complete search history.

D245,542 S * 8/1977 Melcior D21/815
D267,430 S * 12/1982 Lee D21/815
4,515,360 A * 5/1985 Mariol A63H 33/32
217/62
D280,436 S * 9/1985 Mariol D21/815
D298,055 S * 10/1988 O'Brien D24/204
D321,923 S * 11/1991 Ross D21/815
D337,136 S * 7/1993 Murdough, Jr. D21/546
D352,986 S * 11/1994 Houry D21/816
D390,907 S * 2/1998 Aker D21/816

* cited by examiner

Primary Examiner — Mitchell Siegel
(74) *Attorney, Agent, or Firm* — Dunlap Bennett & Ludwig PLLC

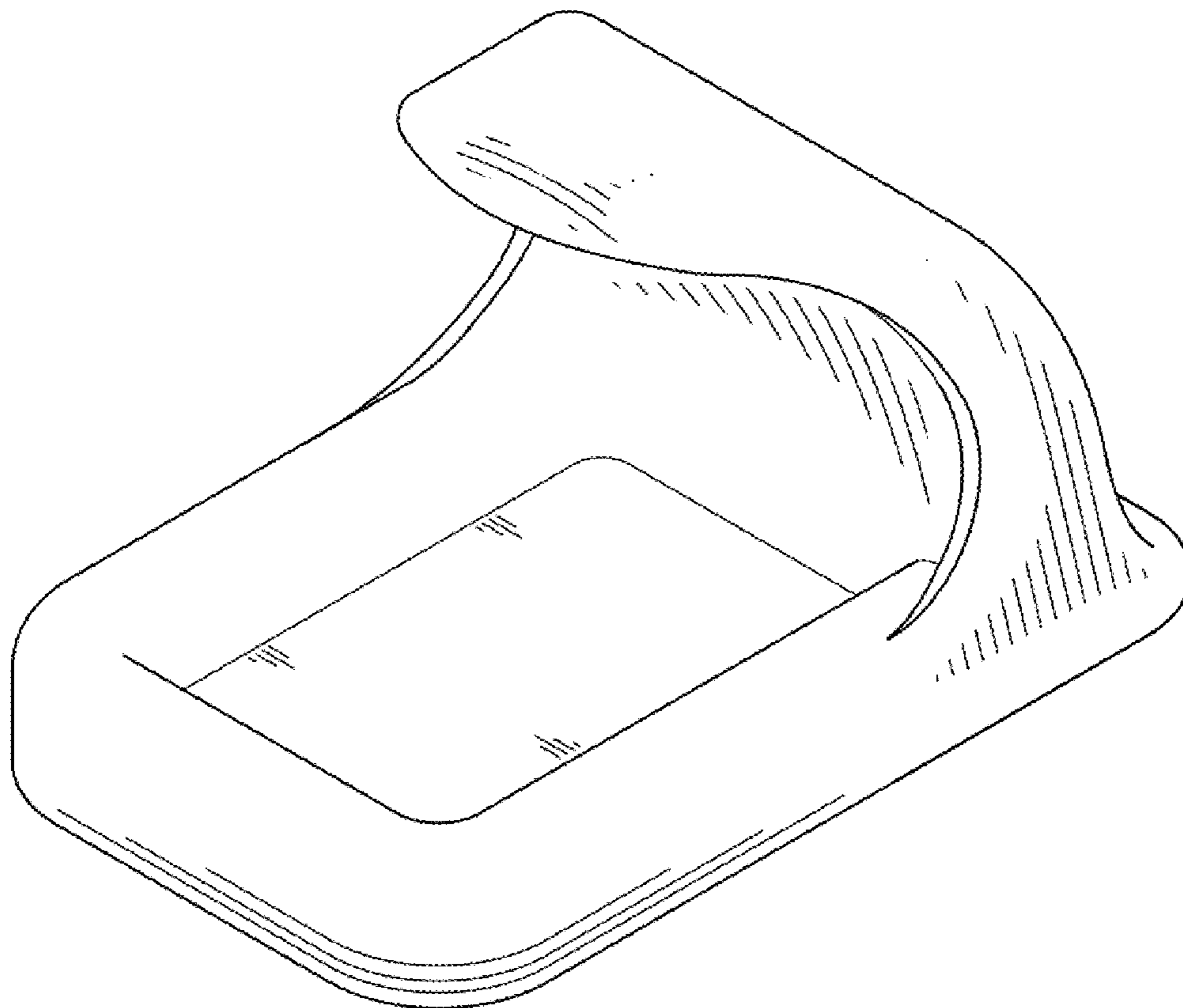
(57) **CLAIM**
The ornamental design for a wave pool for children, as shown and described.

DESCRIPTION

FIG. 1 is an isometric view of a wave pool for children;
FIG. 2 is a front elevation view thereof;
FIG. 3 is a rear elevation view being a mirror image thereof;
FIG. 4 is a left side elevation view thereof, the right side elevation view being a mirror image thereof;
FIG. 5 is a top plan view thereof; and,
FIG. 6 is a bottom plan view thereof.

1 Claim, 2 Drawing Sheets

(56) **References Cited**
U.S. PATENT DOCUMENTS
D203,753 S * 2/1966 Greenberg D12/301
D222,590 S * 11/1971 Chase D21/815
D227,683 S * 7/1973 Mitchko D21/815
D239,844 S * 5/1976 Chase D21/815
D245,541 S * 8/1977 Melchior D21/815



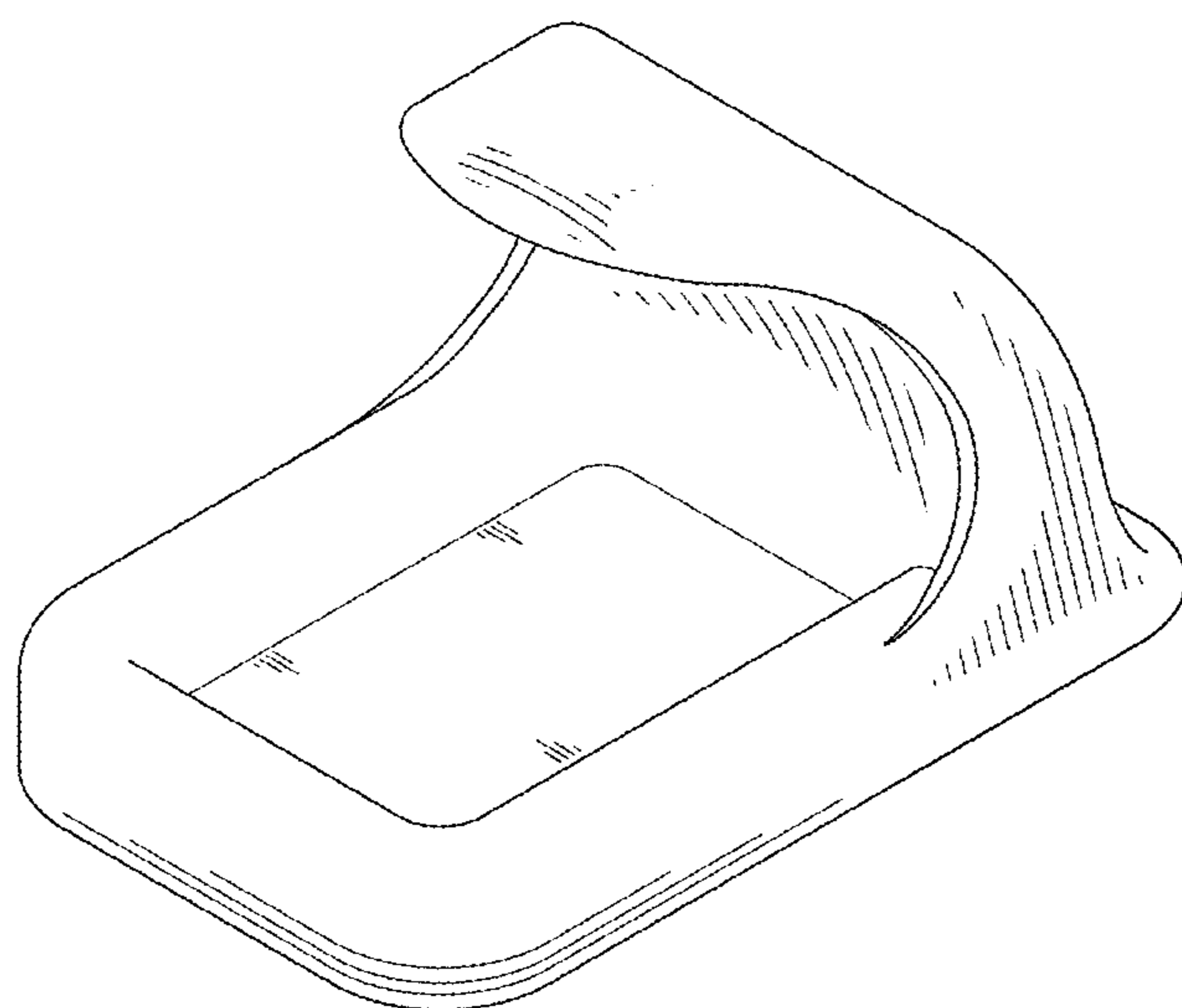


FIG. 1

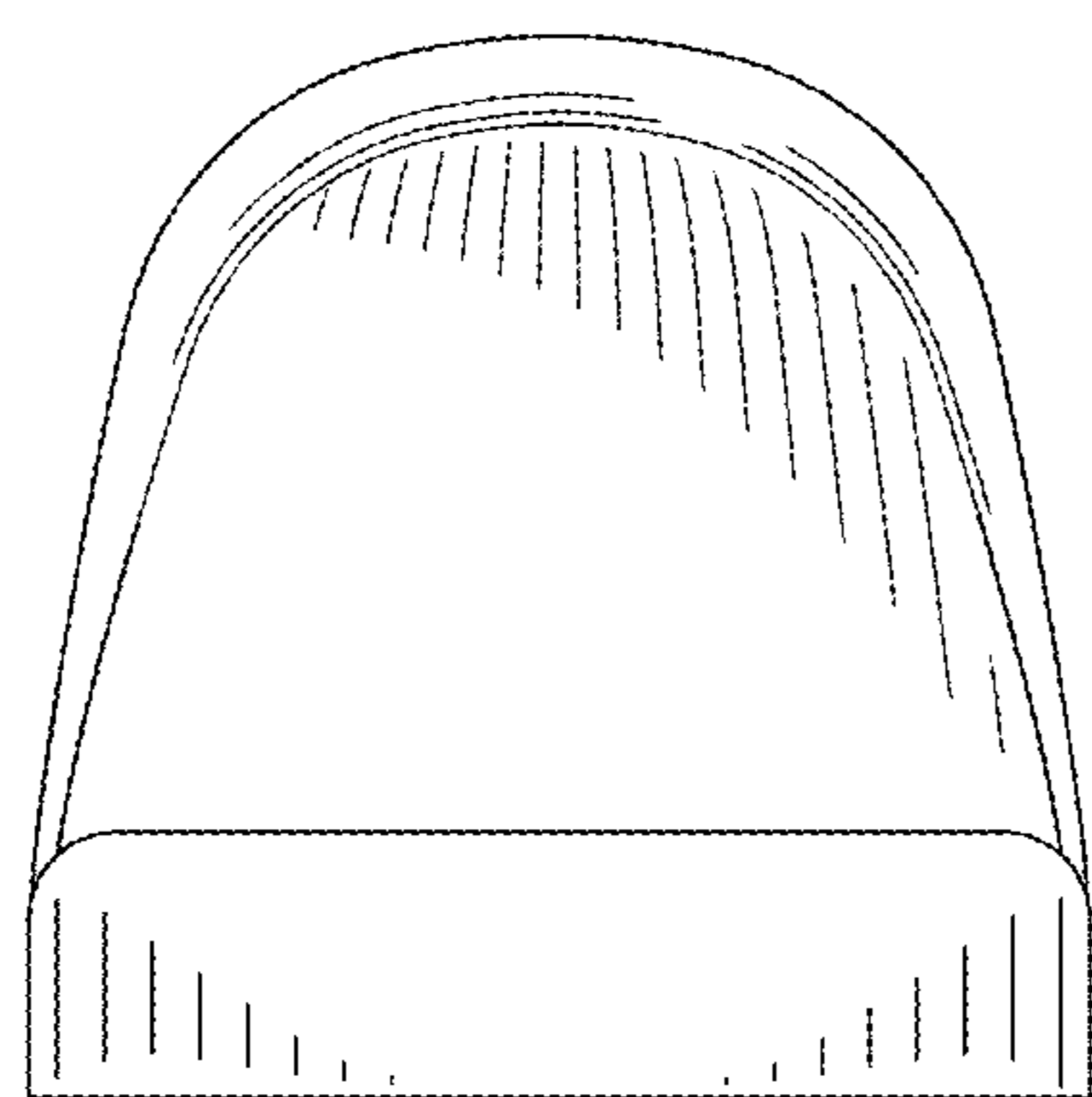


FIG. 2

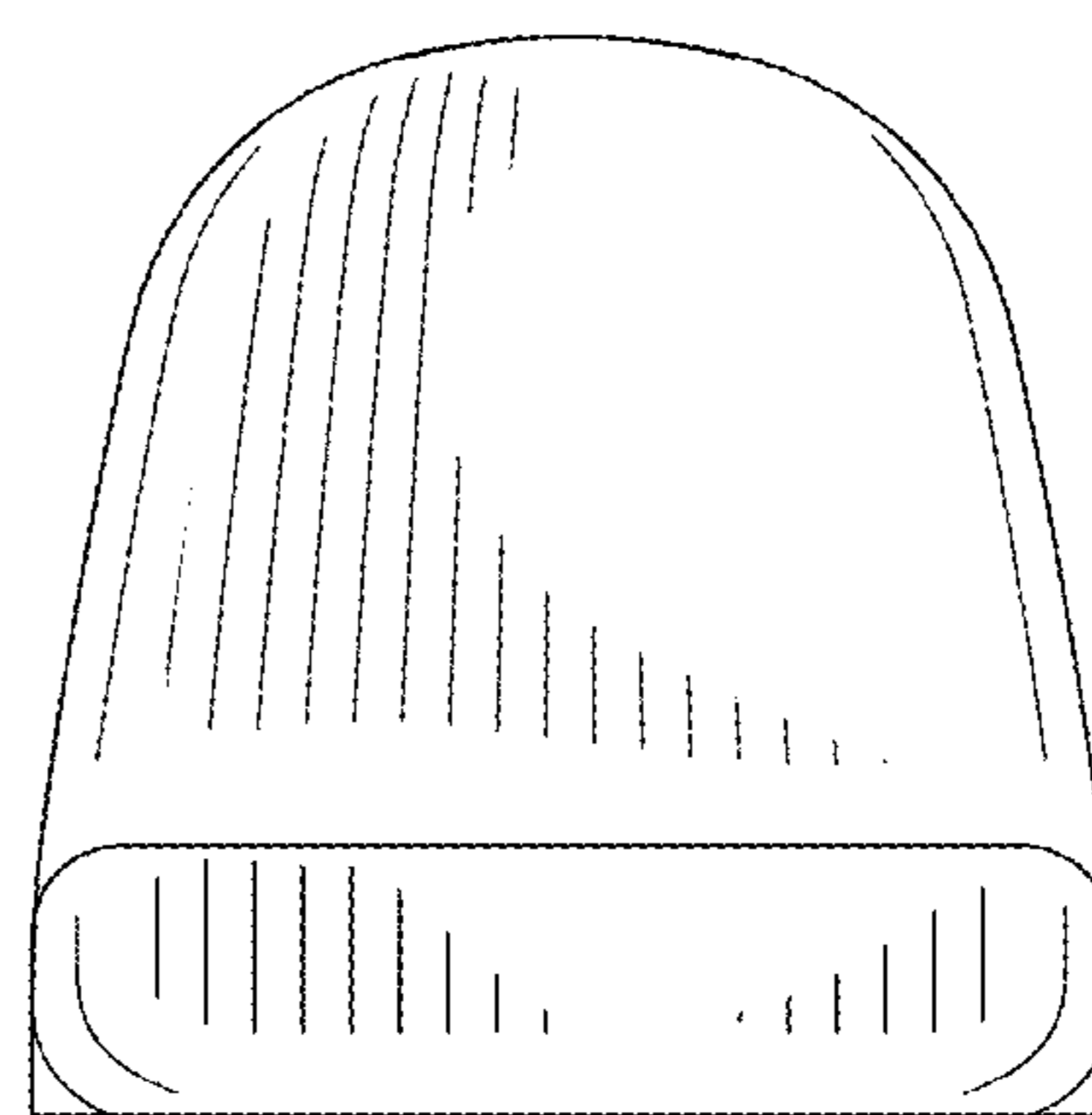


FIG. 3

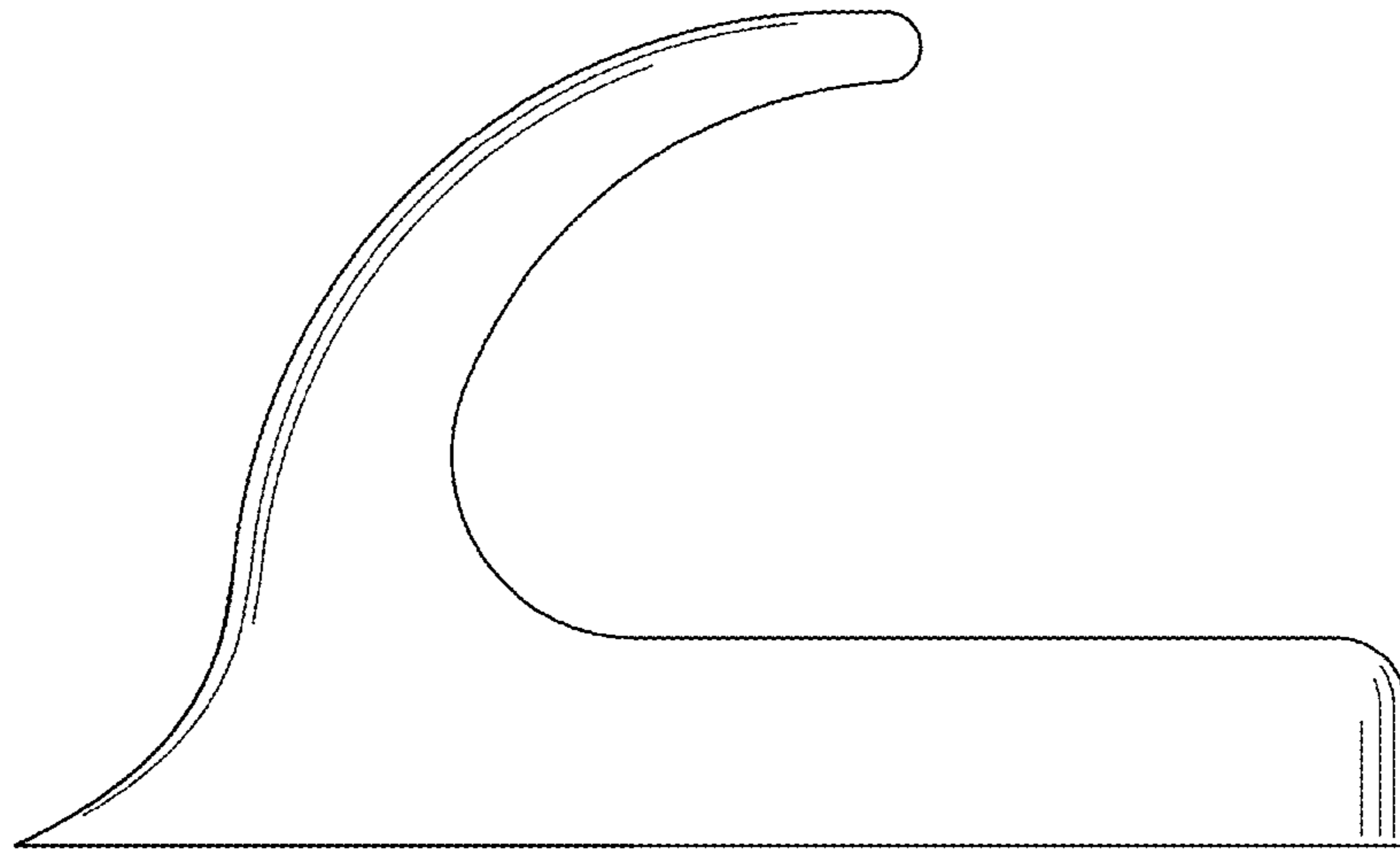


FIG. 4

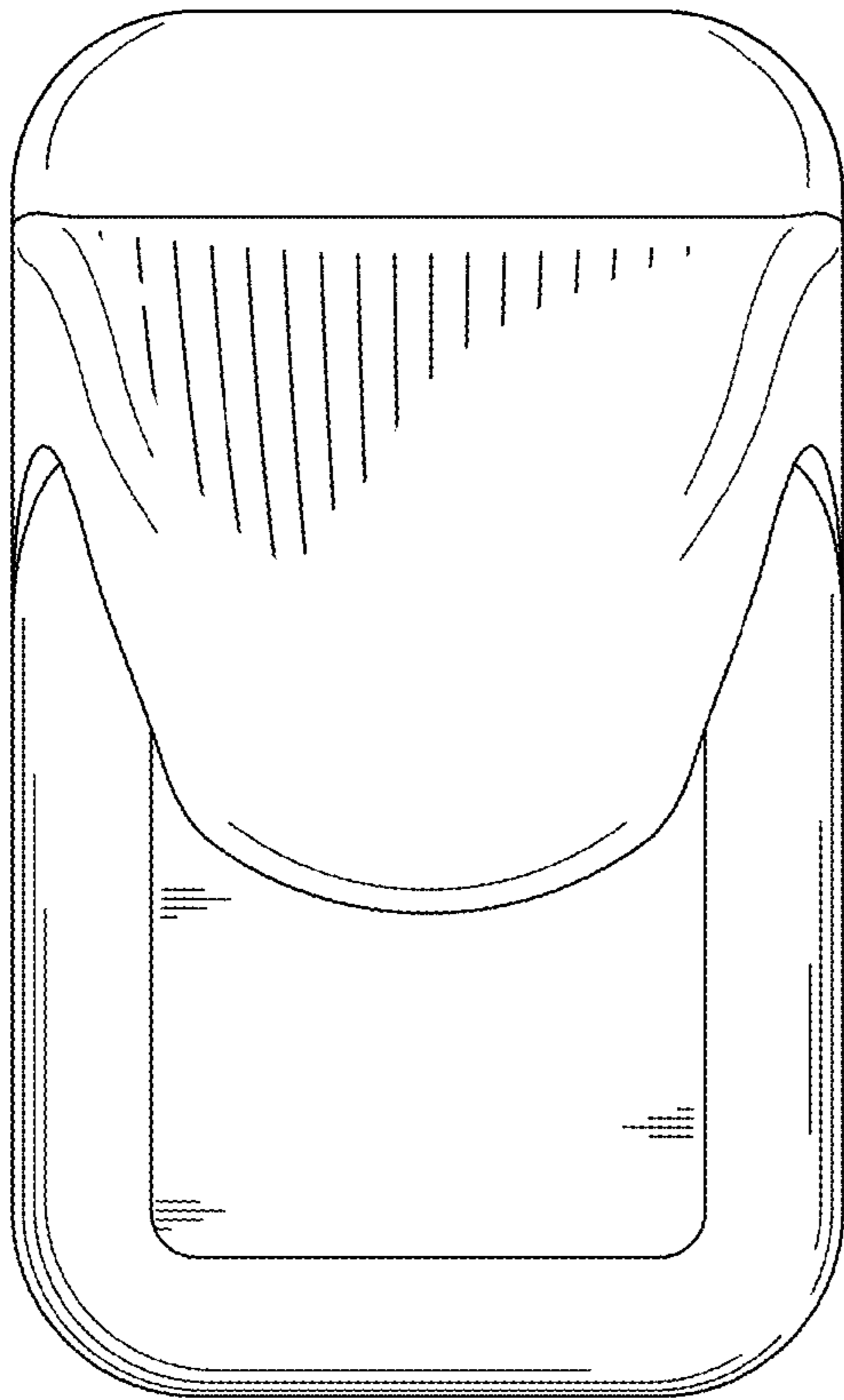


FIG. 5

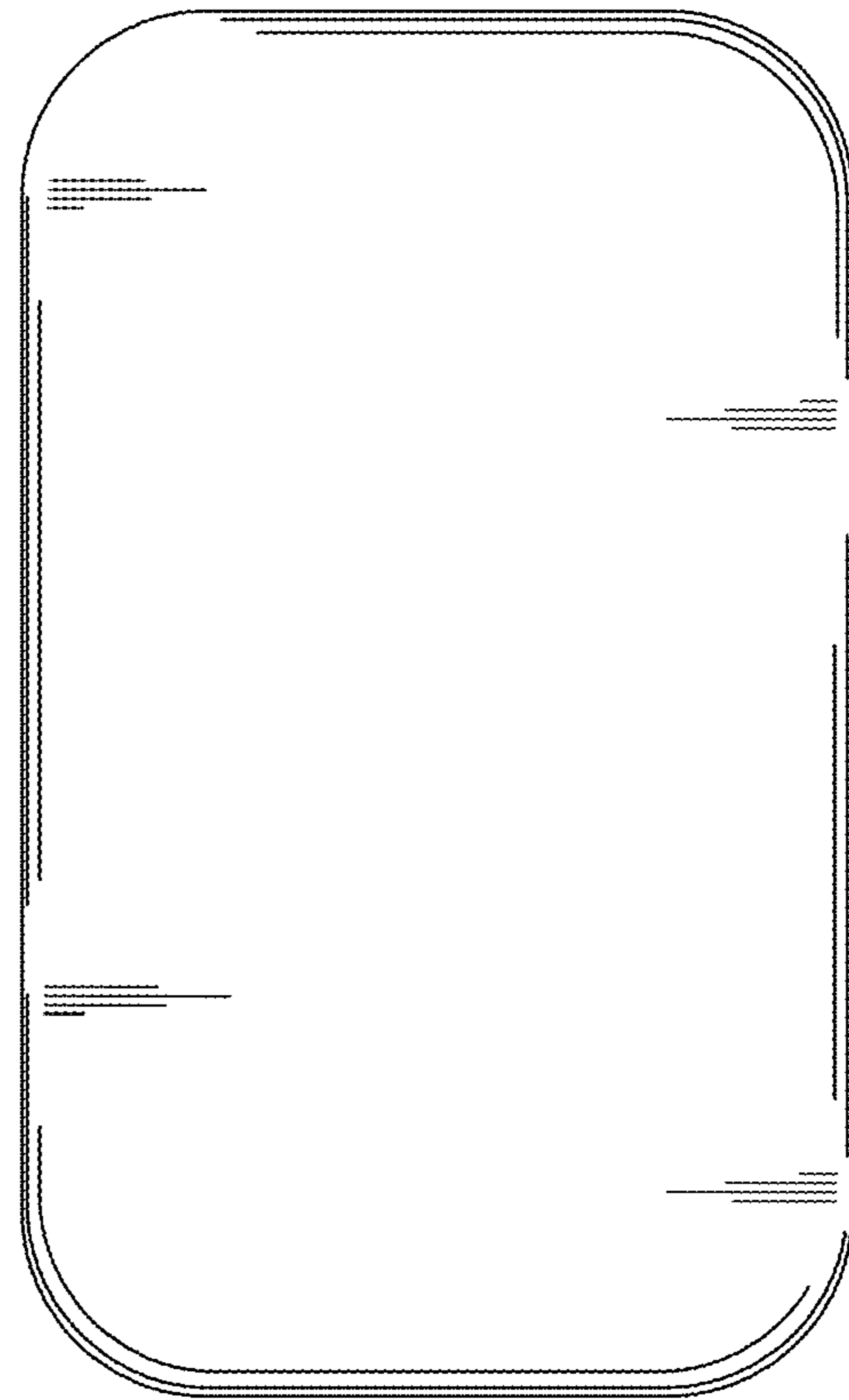


FIG. 6