

US00D772361S

(12) **United States Design Patent** (10) **Patent No.:** **US D772,361 S**  
**Giannatti et al.** (45) **Date of Patent:** **\*\* Nov. 22, 2016**

(54) **PUTTER GRIP**  
(71) Applicant: **Winston Products, LLC**, Cleveland, OH (US)  
(72) Inventors: **Nick D Giannatti**, Hudson, OH (US); **Ron F. Giannatti**, Highland Heights, OH (US); **Winston H. Breeden, III**, Chagrin Falls, OH (US); **Charles Eugene Spain**, Cameron, NC (US)  
(73) Assignee: **WINSTON PRODUCTS LLC**, Cleveland, OH (US)  
(\*\*) Term: **15 Years**  
(21) Appl. No.: **29/559,311**  
(22) Filed: **Mar. 26, 2016**  
(51) **LOC (10) Cl.** ..... **21-02**  
(52) **U.S. Cl.**  
USPC ..... **D21/756**  
(58) **Field of Classification Search**  
USPC ..... **D21/756-758**  
CPC ..... **A63B 60/06-60/34; A63B 53/14**  
See application file for complete search history.

5,575,724 A 11/1996 Hannon  
D377,070 S 12/1996 Gurrola  
5,588,921 A 12/1996 Parsick  
5,645,493 A 7/1997 Garcia  
D391,330 S 2/1998 Solheim  
5,779,559 A 7/1998 Eberle  
2,795,241 A 8/1998 Peshek  
5,795,241 A 8/1998 Peshek  
D408,066 S 4/1999 Gurrola  
5,947,838 A 9/1999 Tkacs  
5,993,327 A \* 11/1999 Terril ..... A63B 53/14  
473/297  
6,123,625 A 9/2000 Koblentz  
6,152,832 A 11/2000 Chandler, III  
D464,694 S 10/2002 Moore  
D477,645 S 7/2003 Vito  
6,626,768 B2 9/2003 Roelke  
D484,211 S 12/2003 Groelinger  
6,783,463 B2 8/2004 Zichmanis  
6,902,492 B1 6/2005 Strand  
D515,649 S \* 2/2006 Zichmanis ..... D21/756  
D516,653 S \* 3/2006 Gazeley ..... D21/756

(Continued)

*Primary Examiner* — Mitchell Siegel  
(74) *Attorney, Agent, or Firm* — Tucker Ellis, LLP; Evan Perry

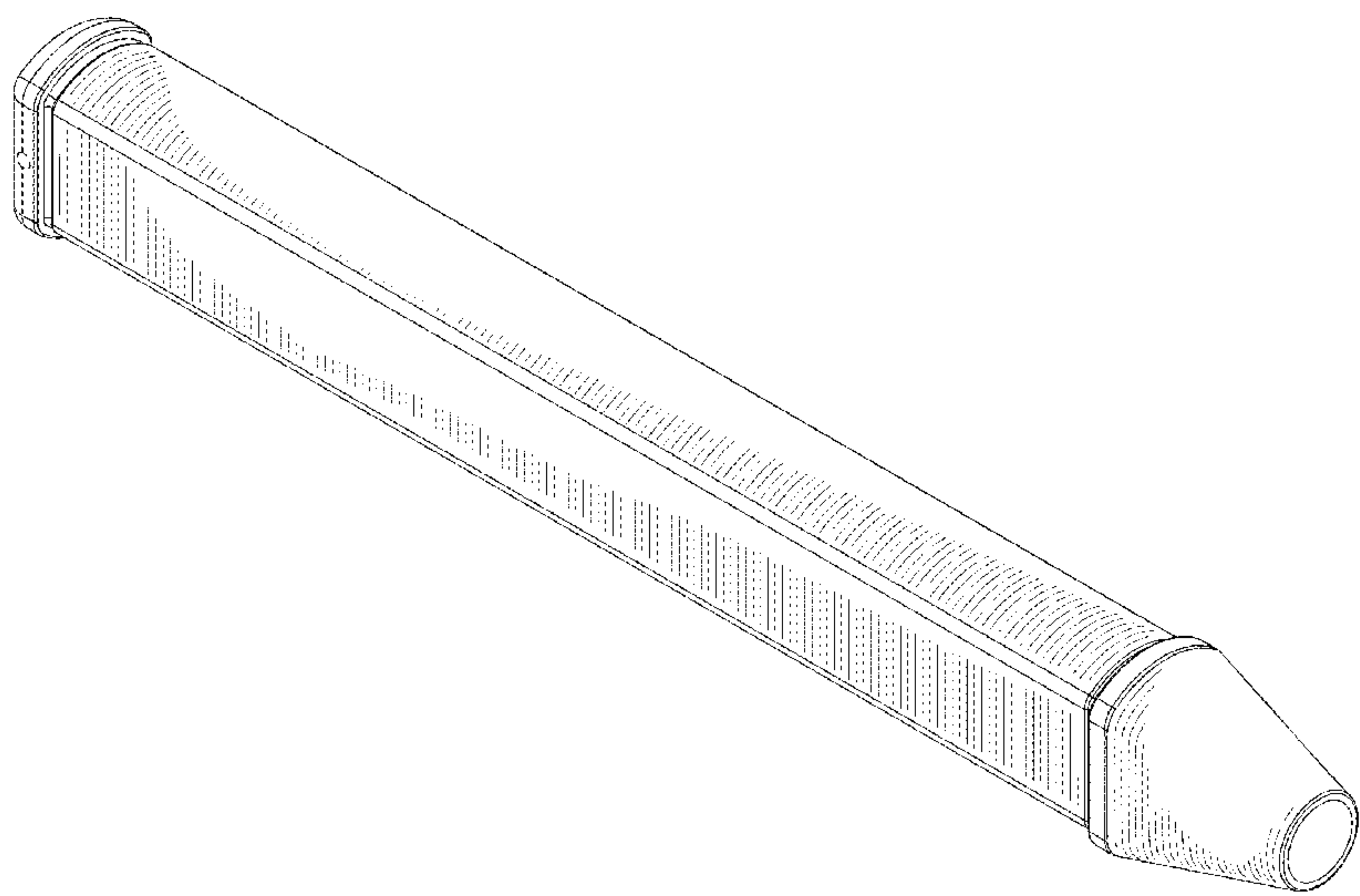
(57) **CLAIM**  
The ornamental design for a putter grip, as shown and described.

**DESCRIPTION**

FIG. 1 is a perspective view of a putter grip showing our new design.  
FIG. 2 is a right side view thereof.  
FIG. 3 is a left side view thereof.  
FIG. 4 is a top view thereof.  
FIG. 5 is a bottom view thereof.  
FIG. 6 is a back view thereof; and,  
FIG. 7 is a front view thereof.  
The broken lines shown herein are for illustrative purposes only and form no part of the claimed design.

**1 Claim, 4 Drawing Sheets**

(56) **References Cited**  
U.S. PATENT DOCUMENTS  
D196,268 S 9/1963 Lamb  
3,109,653 A 11/1963 Biggs  
4,179,125 A 12/1979 Cone  
4,215,860 A 8/1980 Nakamatsu  
4,537,403 A 8/1985 Farina  
4,679,791 A 7/1987 Hull  
5,026,062 A 6/1991 Freeberg  
5,133,555 A 7/1992 Bailey  
D345,192 S 3/1994 Solheim  
D355,011 S \* 1/1995 Subnick ..... D21/756  
5,398,930 A 3/1995 Gibson  
5,398,934 A 3/1995 Soong  
5,460,372 A 10/1995 Cook



(56)

References Cited

U.S. PATENT DOCUMENTS

D518,542 S	4/2006	Yen	
D529,971 S	10/2006	Rose	
D531,243 S	10/2006	Davis	
D532,472 S	11/2006	Schauffele	
D590,465 S	4/2009	Chen	
D602,106 S *	10/2009	Stellander .....	D21/756
D602,546 S *	10/2009	Lin .....	D21/756
D654,973 S *	2/2012	Marshall .....	D21/756
D664,225 S	7/2012	Lamkin	
D667,067 S	9/2012	Thompson	
D680,604 S	4/2013	Garsen	
D681,758 S	5/2013	Garsen	
D686,288 S *	7/2013	Threbank .....	D21/756
D703,779 S	4/2014	Budacsek	
D716,885 S	11/2014	Murphy, Jr.	
D717,894 S	11/2014	Dingman	
D728,717 S *	5/2015	Cokewell .....	D21/756
D733,237 S	6/2015	Serrano	
D738,973 S	9/2015	Dingman	
D754,807 S	4/2016	Delfortrie	
2007/0219015 A1	9/2007	Gazeley	
2012/0214610 A1	8/2012	Parsons	
2013/0130825 A1	5/2013	McLoughlin	

\* cited by examiner

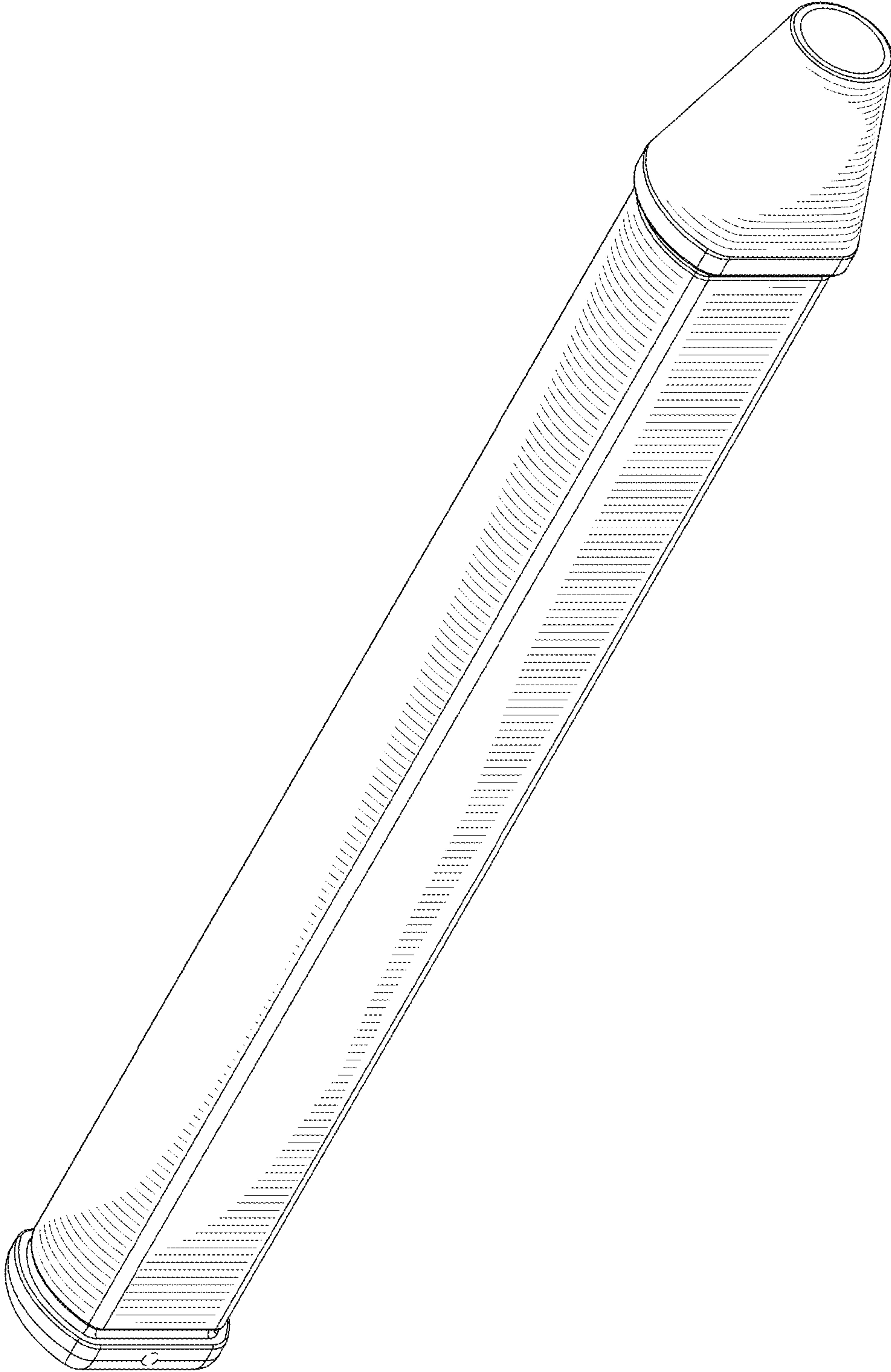


FIG. 1

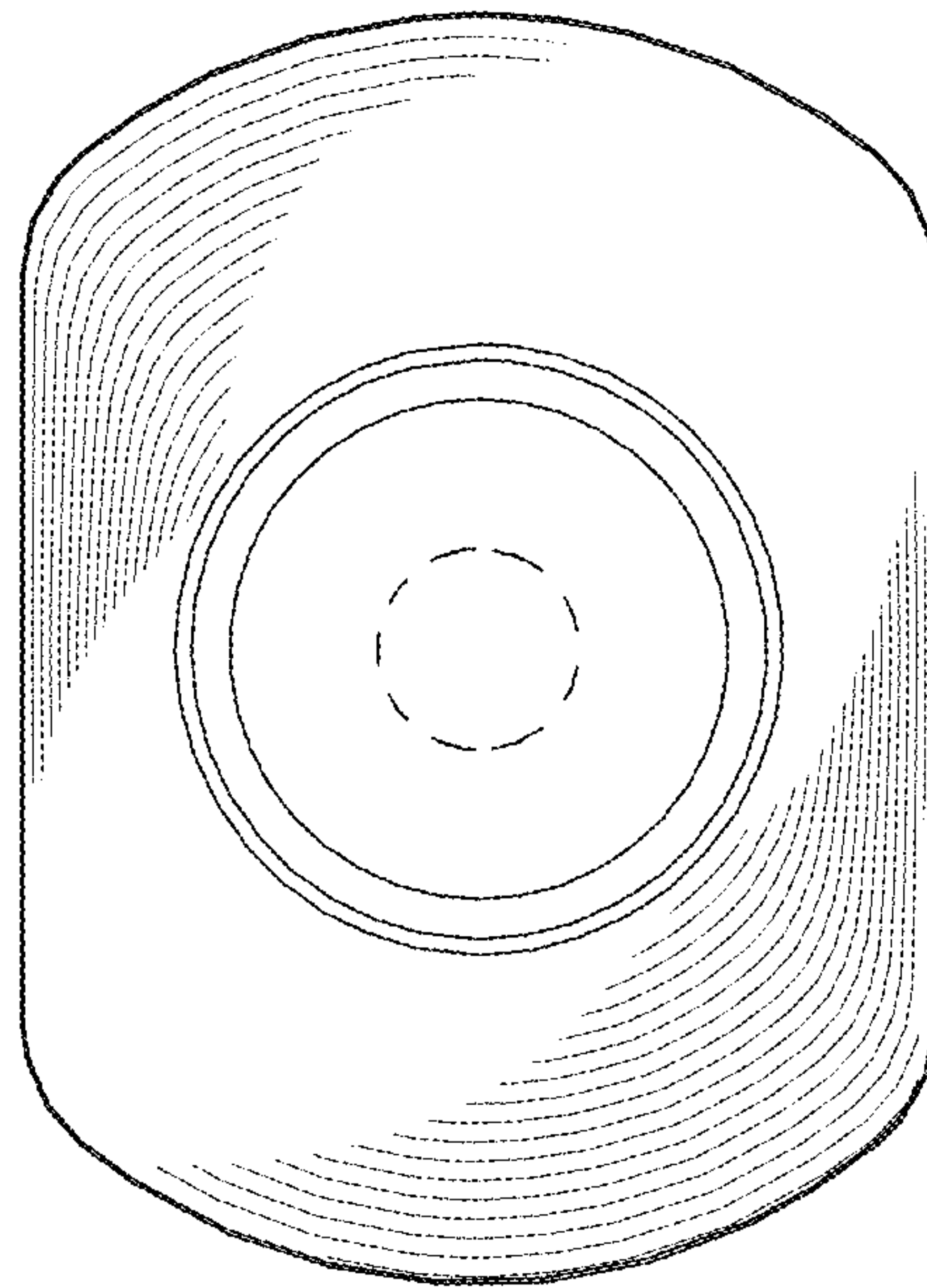


FIG. 2

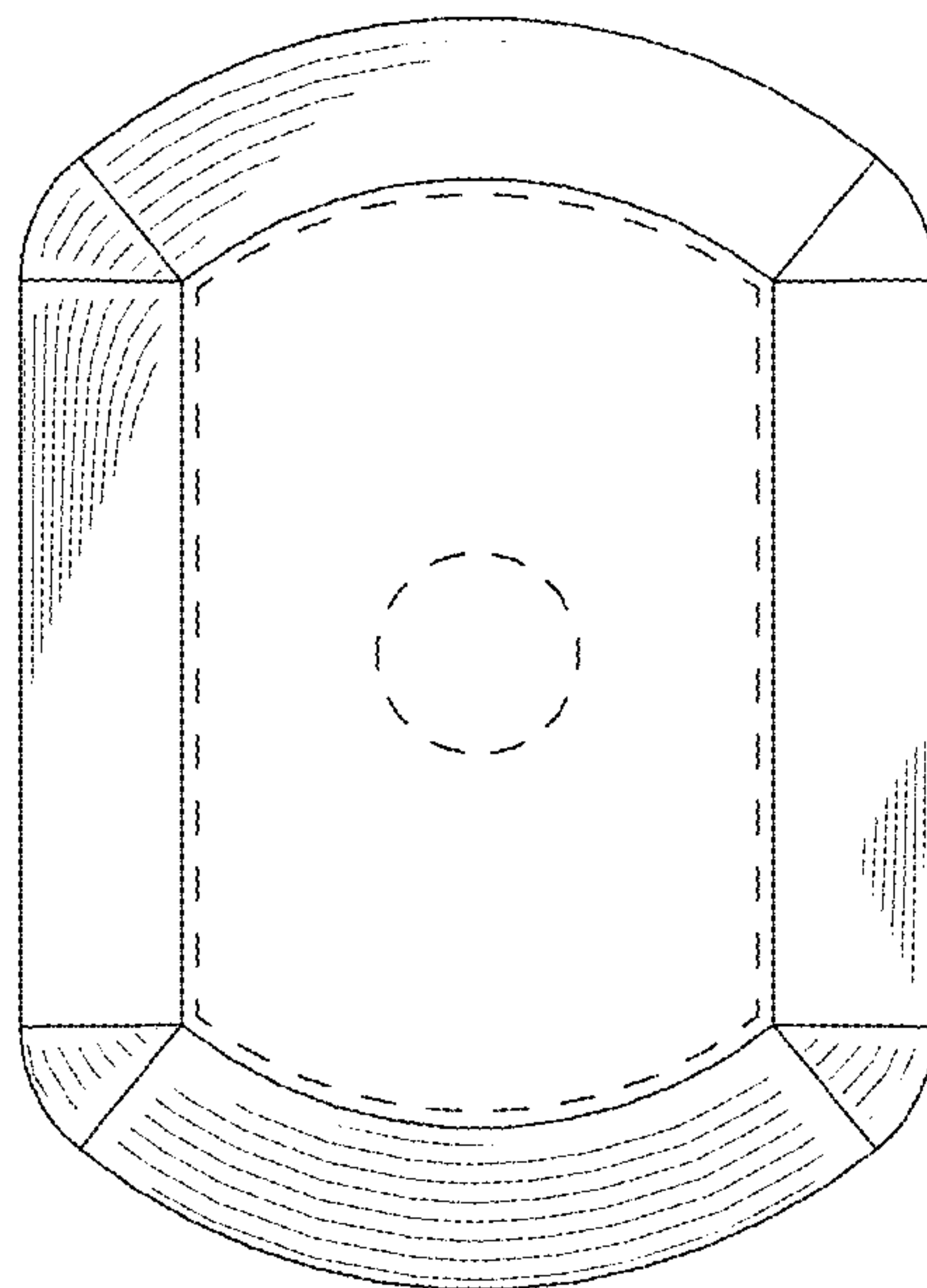


FIG. 3



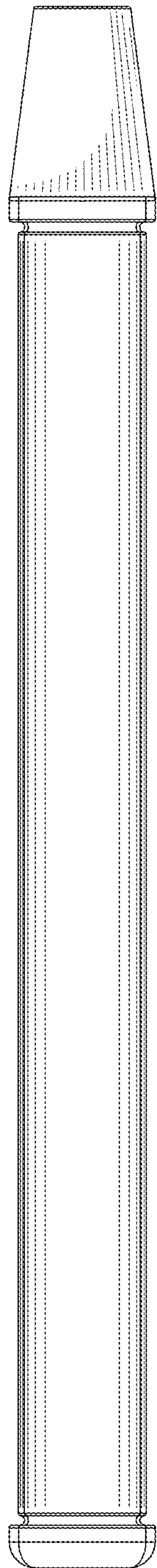


FIG. 4

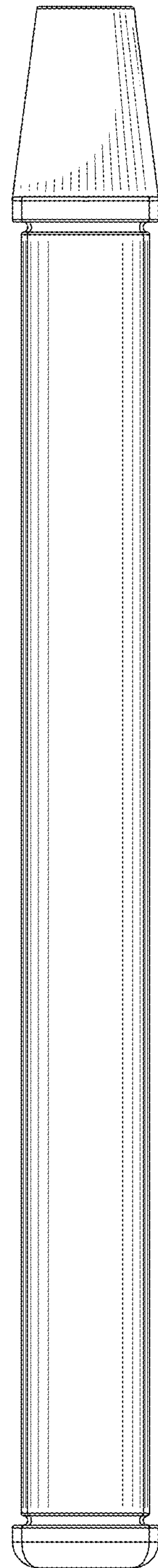


FIG. 5

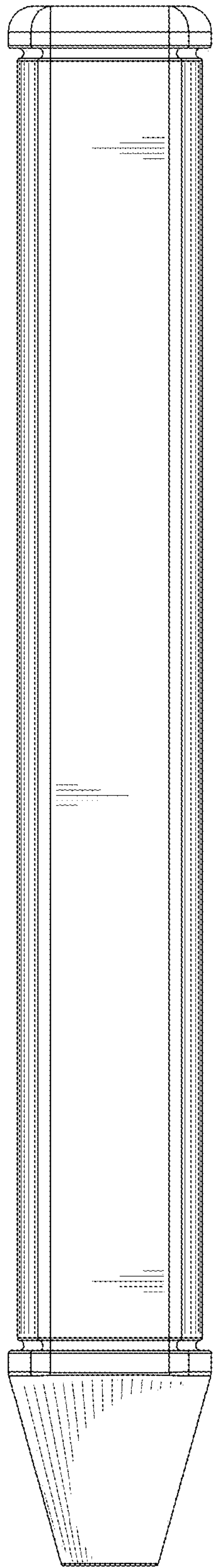


FIG. 6

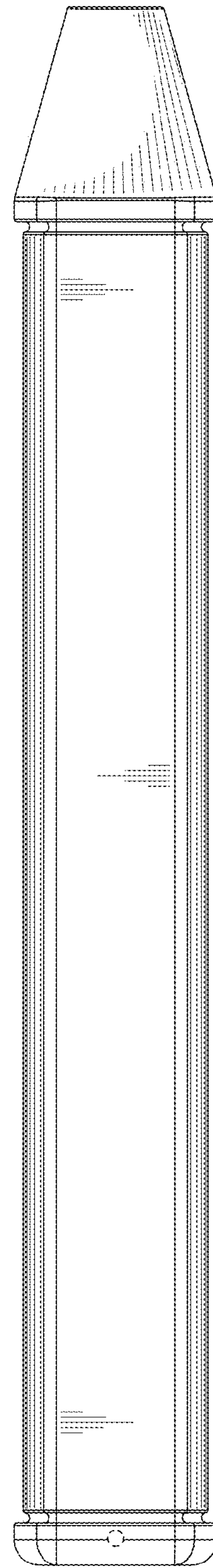


FIG. 7