



US00D772359S

(12) **United States Design Patent** (10) **Patent No.:** **US D772,359 S**
Westrom et al. (45) **Date of Patent:** **** Nov. 22, 2016**

(54) **SOCCER TEE**

(71) Applicants: **James Michael Westrom**, Colleyville, TX (US); **James Donn Hethcock, Jr.**, Colleyville, TX (US)

(72) Inventors: **James Michael Westrom**, Colleyville, TX (US); **James Donn Hethcock, Jr.**, Colleyville, TX (US)

(**) Term: **15 Years**

(21) Appl. No.: **29/538,692**

(22) Filed: **Sep. 7, 2015**

D208,711 S * 9/1967 Ward D21/717
4,181,311 A * 1/1980 Lawlor A63B 57/10
473/257
D261,789 S * 11/1981 Allen D21/716

(Continued)

FOREIGN PATENT DOCUMENTS

IE 84841 B3 * 5/2008
WO WO 2012019221 A1 * 2/2012 A63B 69/0075

Primary Examiner — Catherine Tuttle

(74) Attorney, Agent, or Firm — Jeffrey Roddy

(57) **CLAIM**

The ornamental design for a soccer tee, as shown and described.

DESCRIPTION

FIG. 1 is a top perspective view of a soccer tee showing our new design;
FIG. 2 is a bottom perspective view thereof;
FIG. 3 is a top plan view thereof;
FIG. 4 a side elevation view thereof;
FIG. 5 is a cross-sectional view taken along line 5-5 of FIG. 3;
FIG. 6 is front elevation thereof;
FIG. 7 is a bottom plan view thereof;
FIG. 8 is a cross-sectional view taken along line 8-8 of FIG. 7;
FIG. 9 is a top perspective view showing the base and unclaimed riser in an exploded state;
FIG. 10 is a top plan view of the base portion, shown separately for clarity of disclosure;
FIG. 11 is a side elevation view of FIG. 10;
FIG. 12 is a front elevation view view of FIG. 10;
FIG. 13 is a top plan view of the unclaimed riser portion thereof;
FIG. 14 is a side elevation view of FIG. 13; and,
FIG. 15 is a cross-sectional view taken along line 15-15 of FIG. 13.

The broken lines are included for the purpose of illustrating the portions of the soccer tee that form no part of the claimed design.

1 Claim, 7 Drawing Sheets

Related U.S. Application Data

(63) Continuation of application No. 29/512,624, filed on Dec. 21, 2014, now Pat. No. Des. 740,898.

(51) **LOC (10) Cl.** **21-02**

(52) **U.S. Cl.**
USPC **D21/717**

(58) **Field of Classification Search**

USPC D21/717-721, 789-796; 473/417, 420, 473/386-406

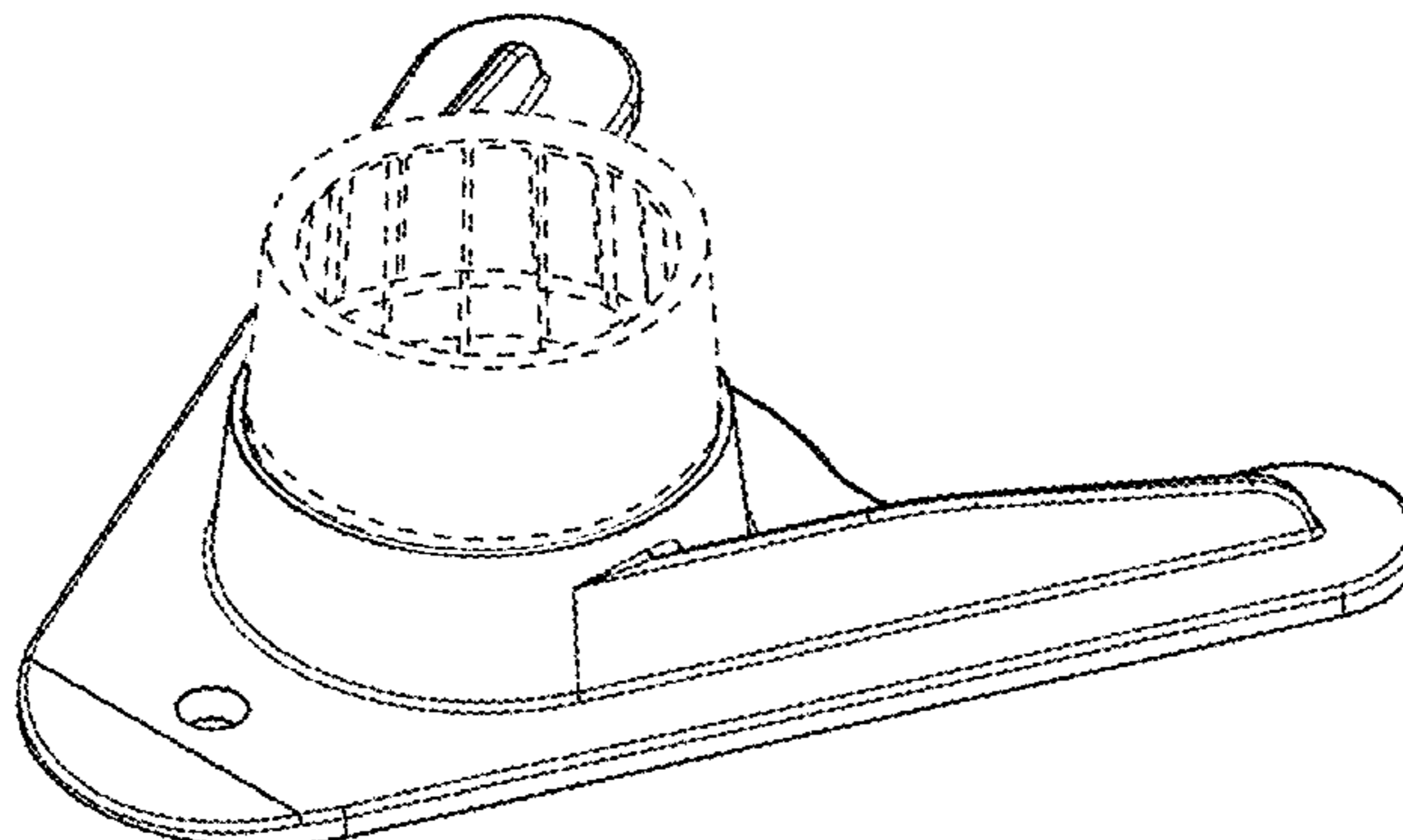
CPC A63B 57/00; A63B 57/005; A63B 57/0012; A63B 57/0018; A63B 57/0031; A63B 57/0075; A63B 2057/0025; A63B 47/00; A63B 47/002; A63B 69/00; A63B 69/002; A63B 69/0073; A63B 69/0075; A63B 69/0091; A63B 69/24; A63B 69/40; A63B 2243/0025; A63B 2243/0066; A63B 63/007

See application file for complete search history.

(56) **References Cited**

U.S. PATENT DOCUMENTS

D75,984 S * 8/1928 Reich D21/717
2,079,387 A * 5/1937 Sickmiller A63B 57/10
248/161
3,309,087 A * 3/1967 Cullity A63B 69/0075
473/420



(56)

References Cited

U.S. PATENT DOCUMENTS

4,720,095 A *	1/1988	Sowards	A63B 69/002	473/423	7,066,849 B2 *	6/2006	Budaj	A63B 23/04	473/419
5,037,113 A *	8/1991	Sowards	A63B 69/0091	473/423	7,172,521 B1 *	2/2007	Novis	A63B 69/002	473/422
D332,816 S *	1/1993	Tarver	D21/791		7,234,348 B2 *	6/2007	Spampinato	A63B 47/008	73/170.01
D382,929 S *	8/1997	DeBlieux	D21/717		7,775,912 B2 *	8/2010	Aguirre	A63B 69/002	473/423
6,475,108 B1 *	11/2002	Sarenana, Sr.	A63B 69/002	273/127 R	9,050,516 B2 *	6/2015	Holland	A63B 69/0075	
7,033,289 B2 *	4/2006	Sharrocks	A63B 69/002	473/422	2003/0228942 A1 *	12/2003	Hsieh	A63B 69/002	473/446
7,052,416 B2 *	5/2006	Chang	A63B 57/10	473/396	2012/0122634 A1 *	5/2012	Lee	A63B 69/0091	482/83
						2014/0266160 A1 *	9/2014	Coza	G01B 7/003	324/207.11

* cited by examiner

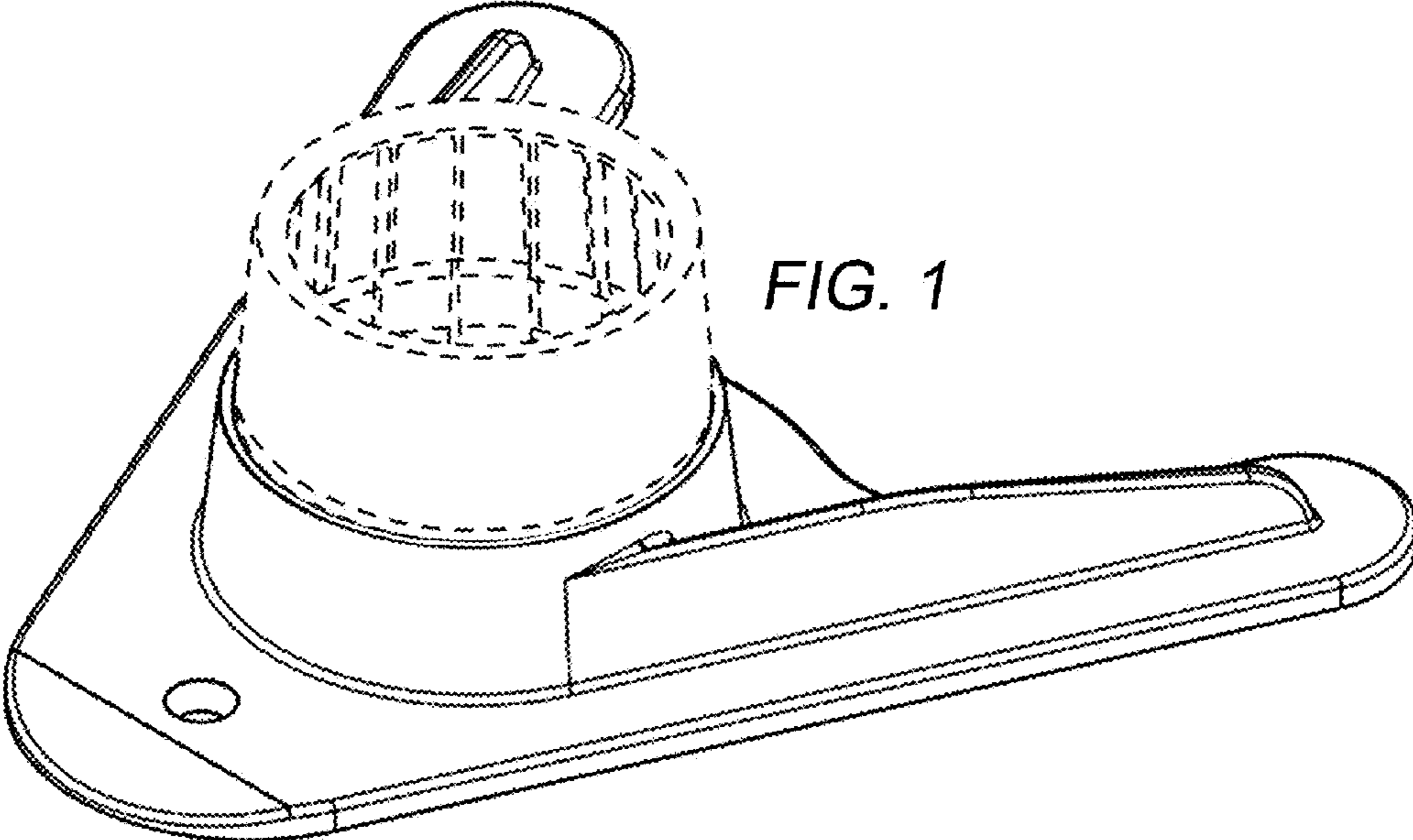


FIG. 1

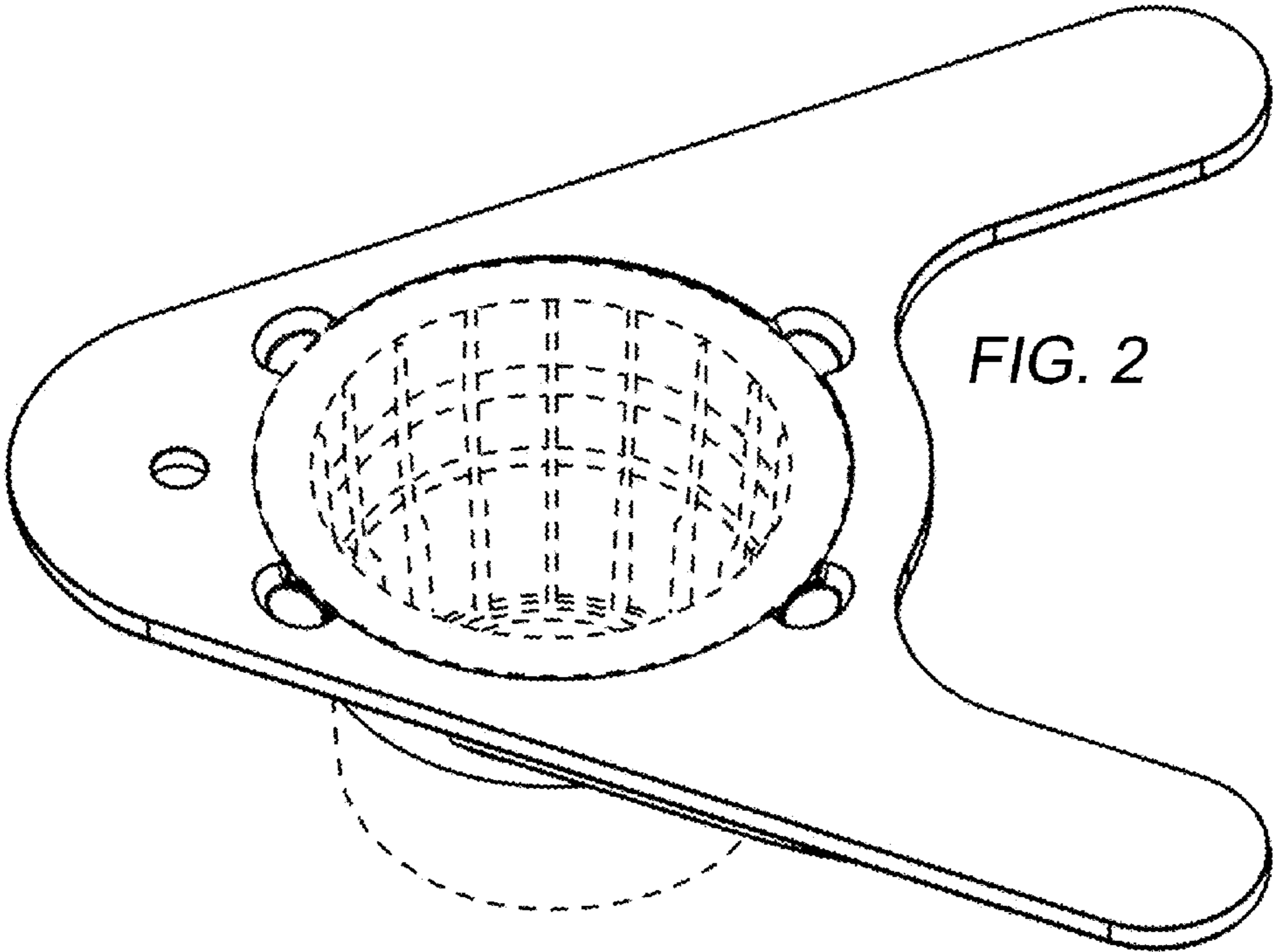
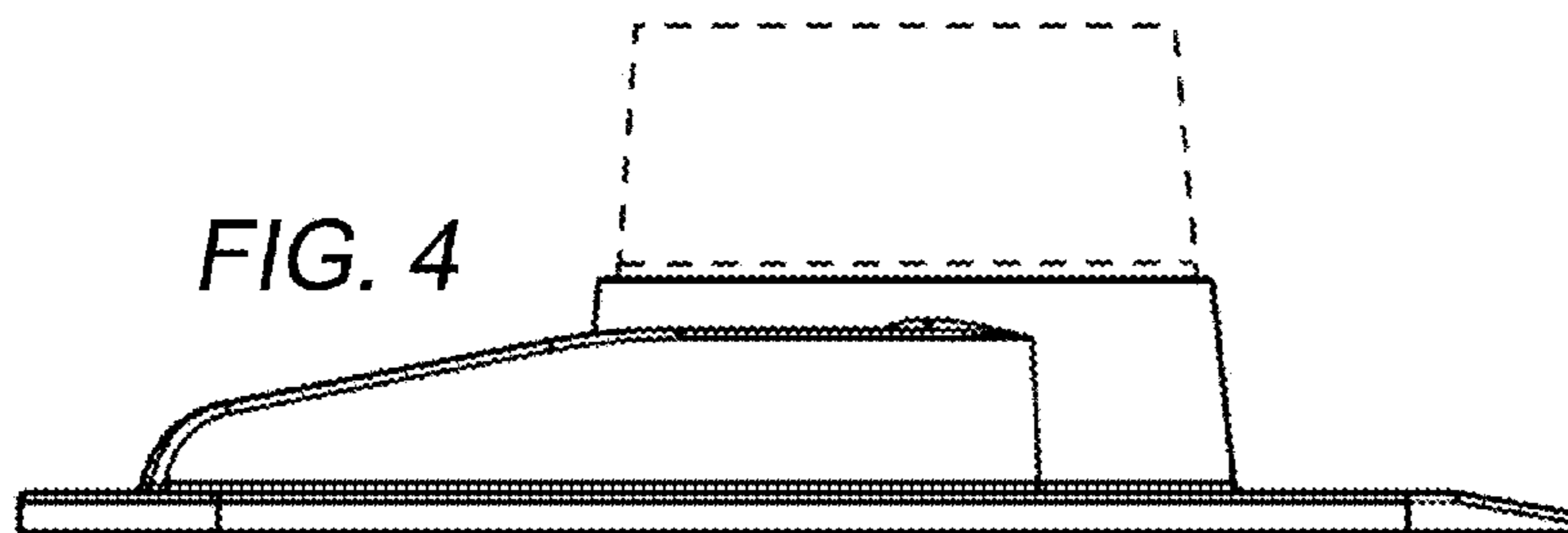
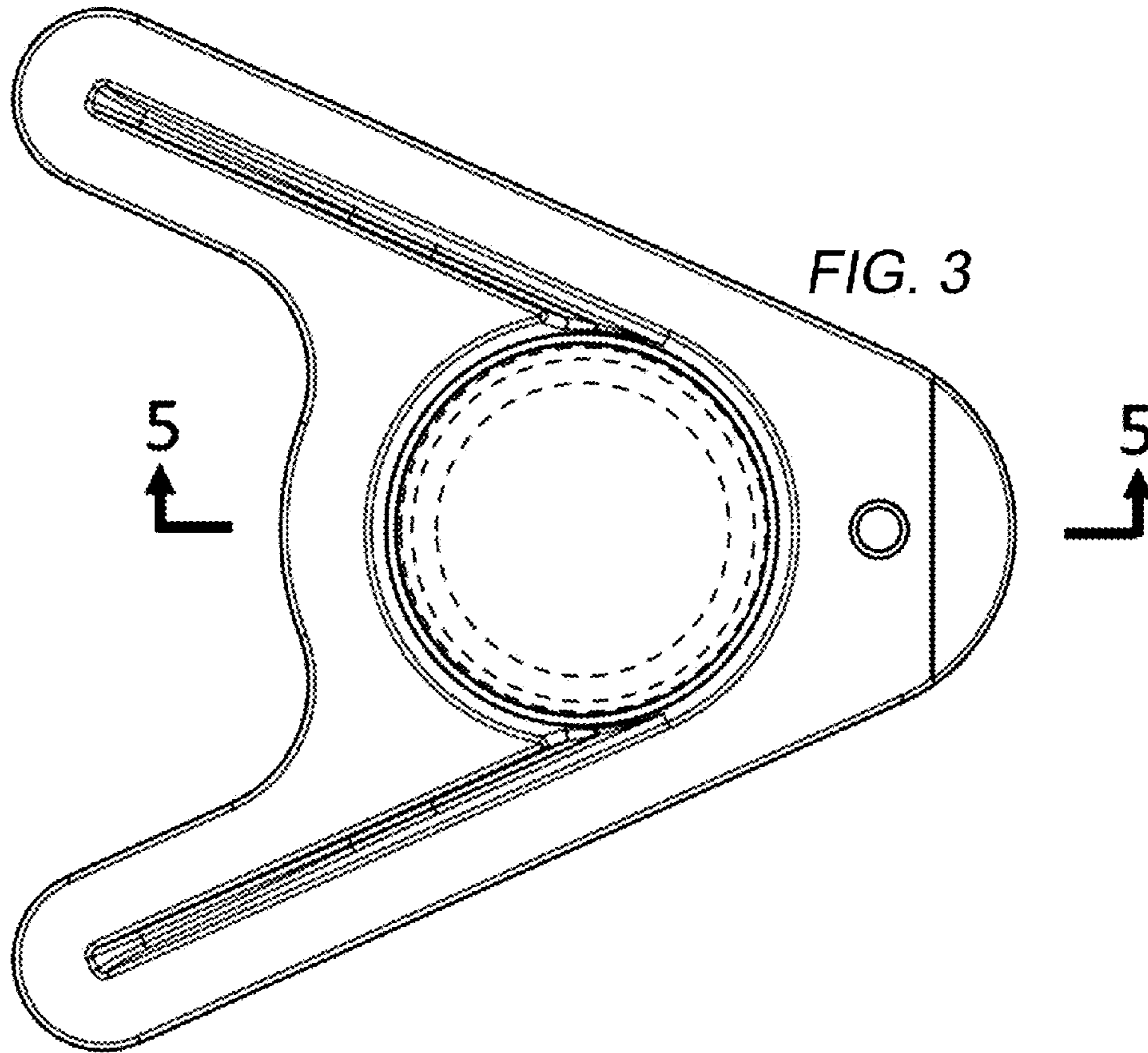


FIG. 2



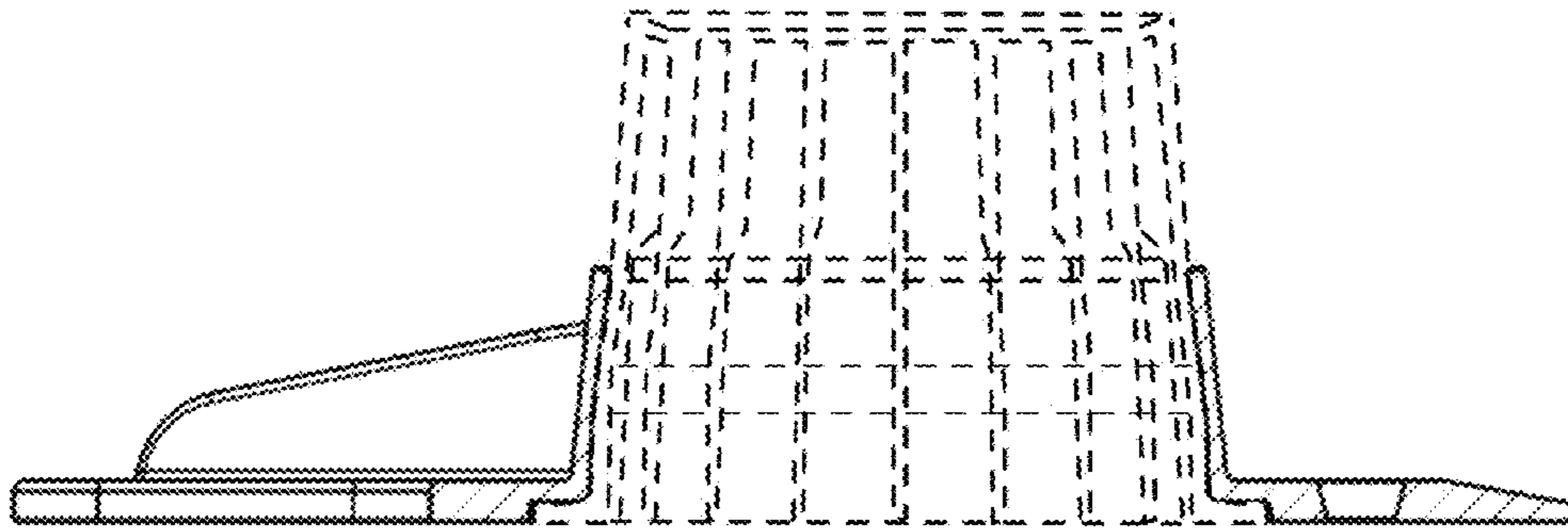


FIG. 5

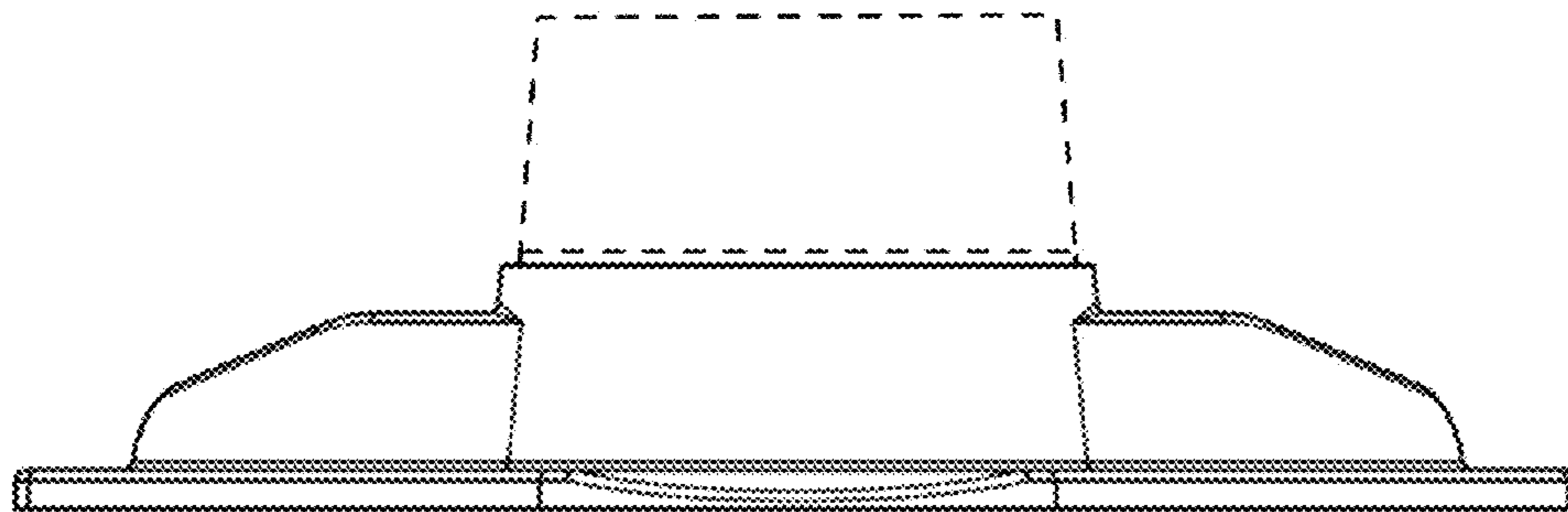


FIG. 6

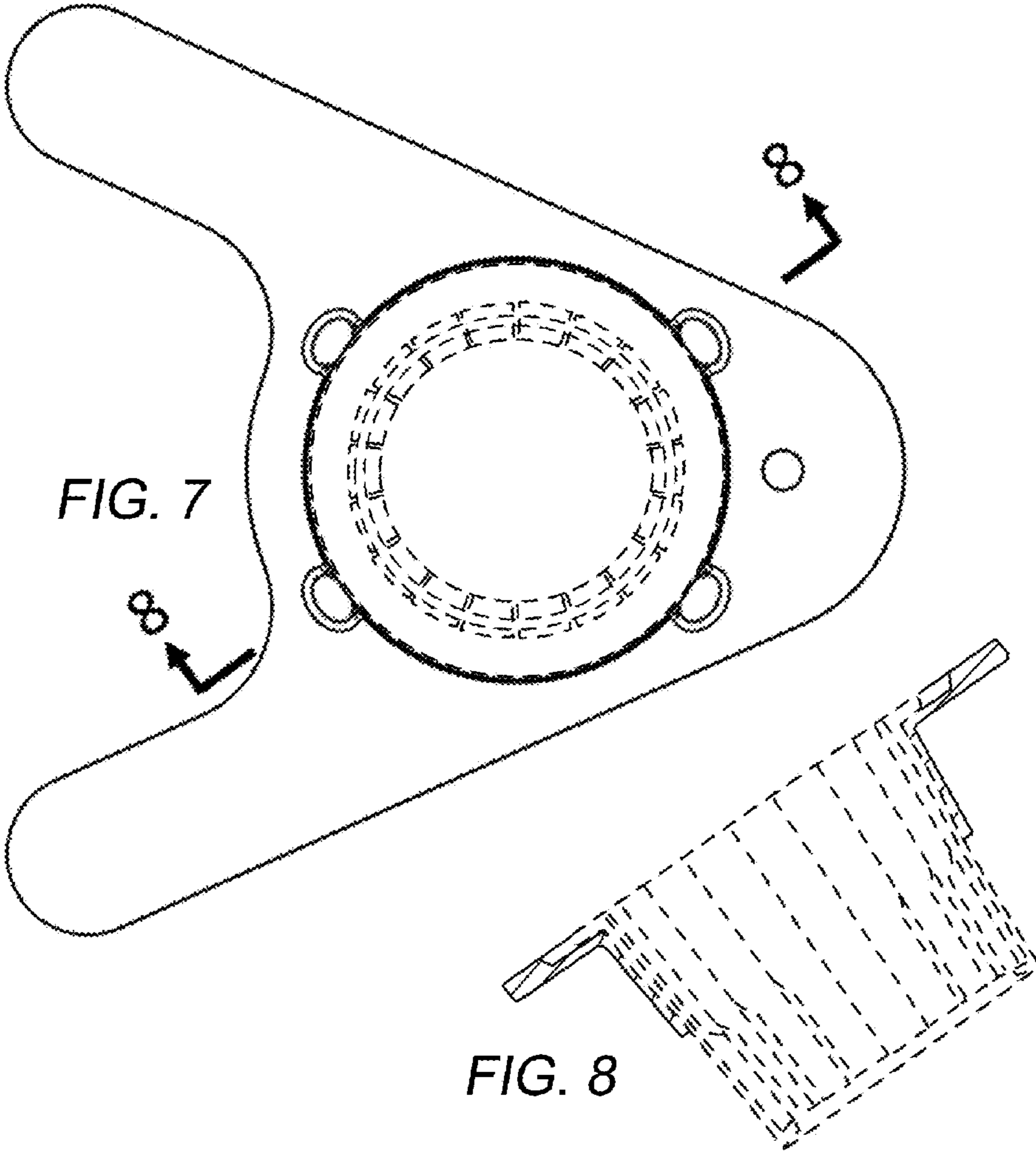


FIG. 7

FIG. 8

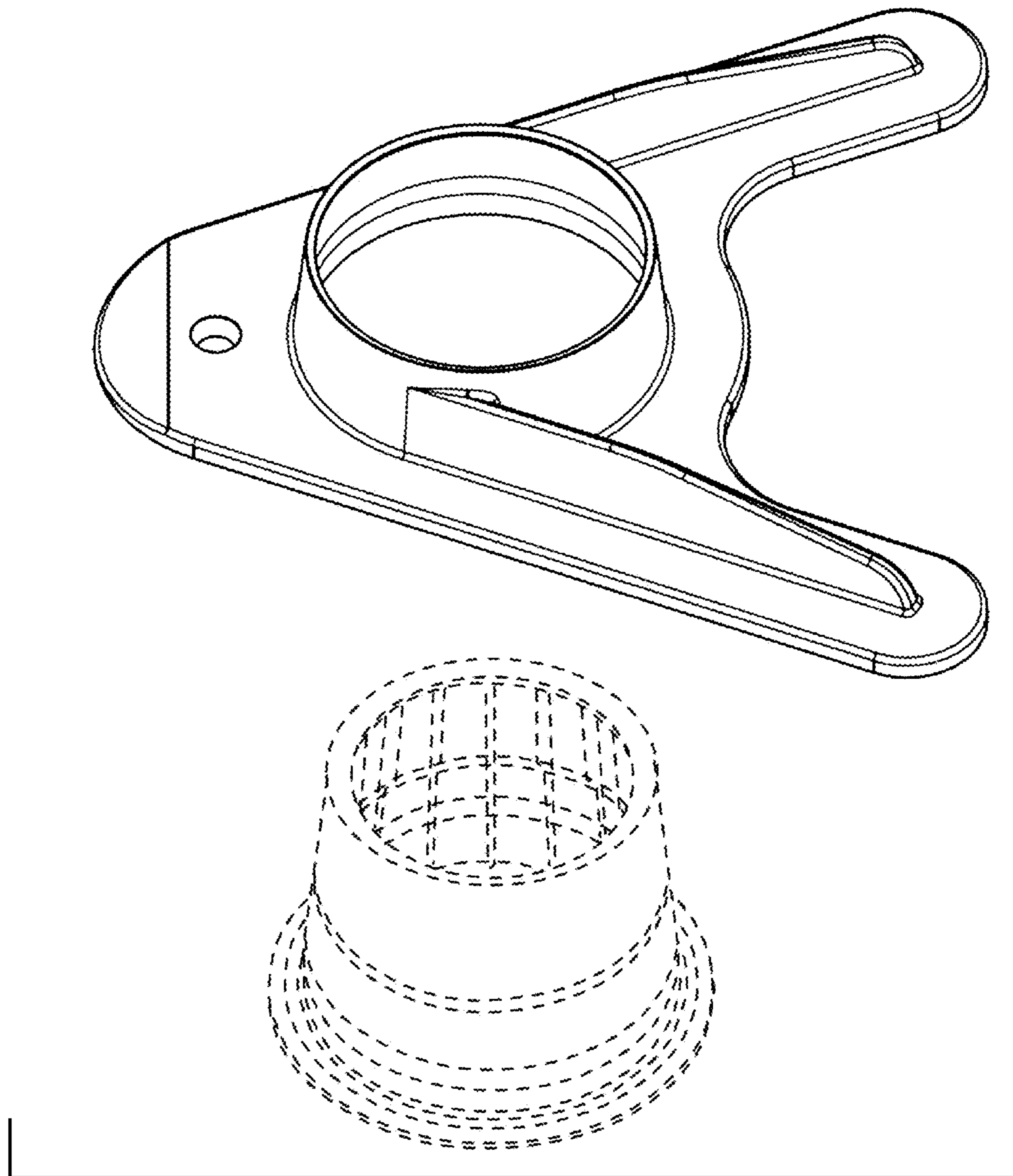


FIG. 9

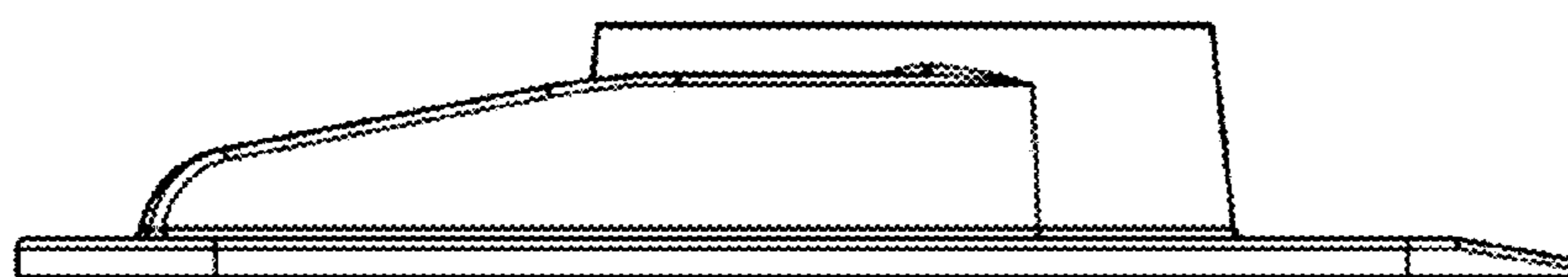
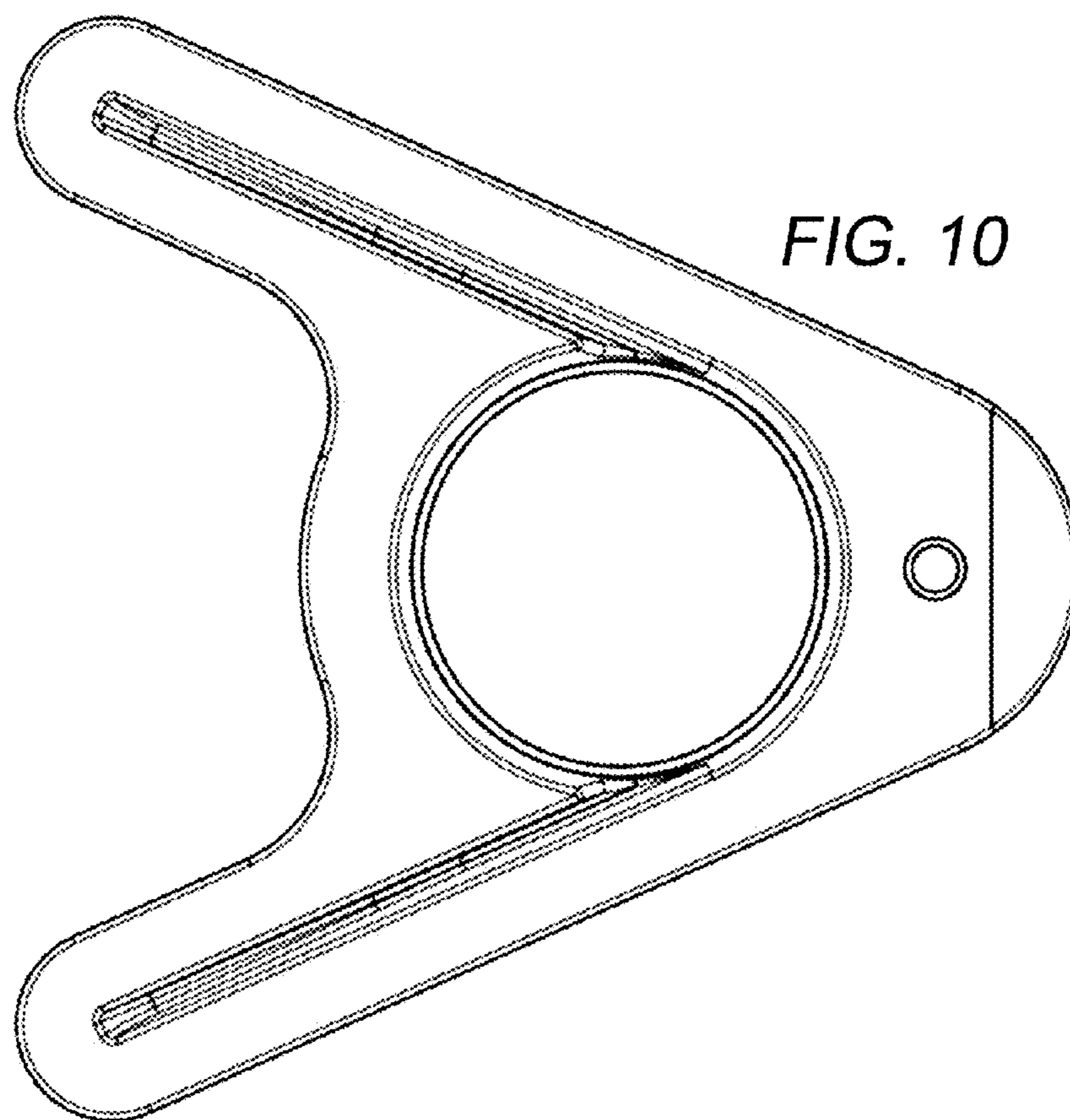


FIG. 11



FIG. 12

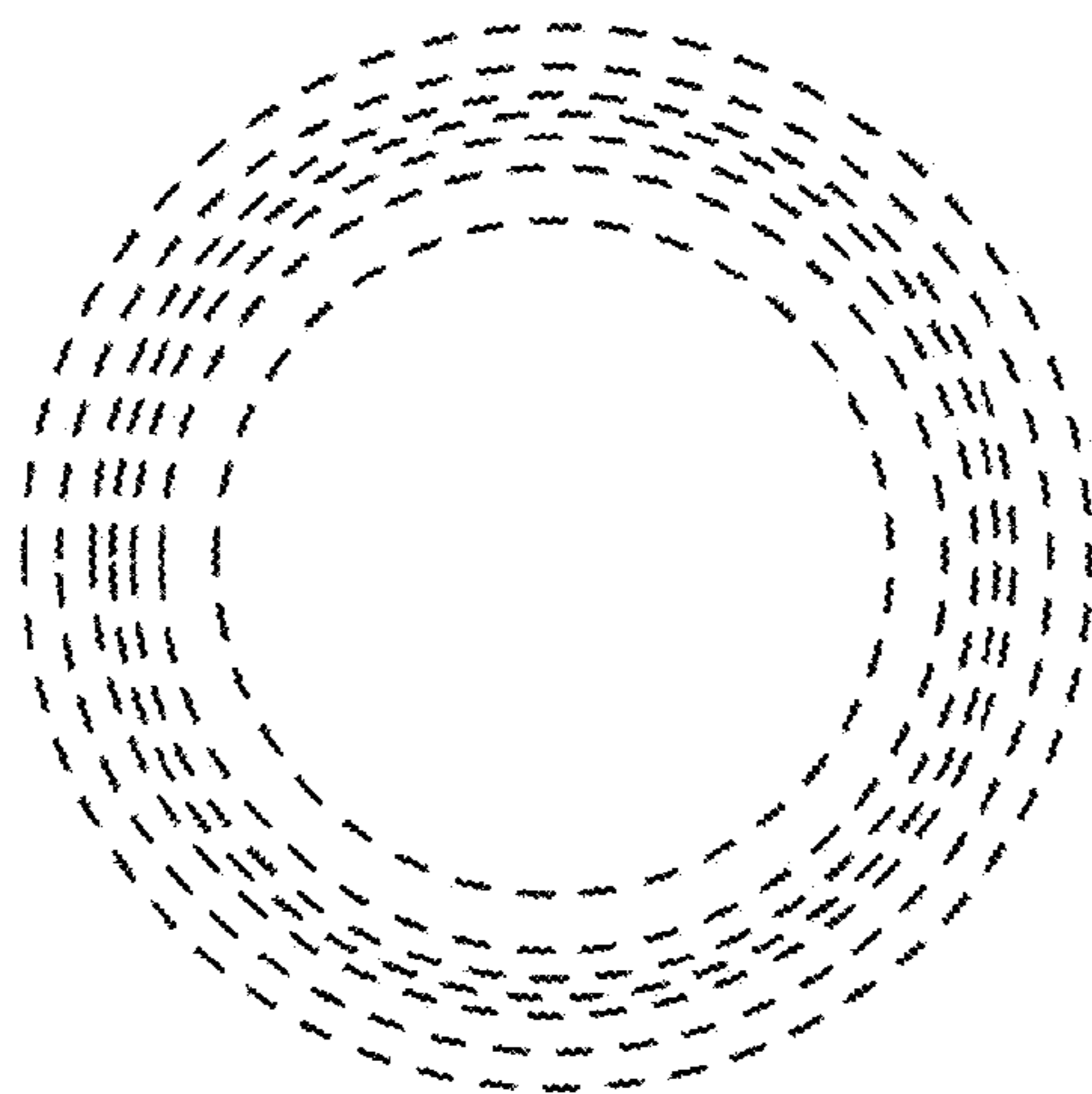


FIG. 13

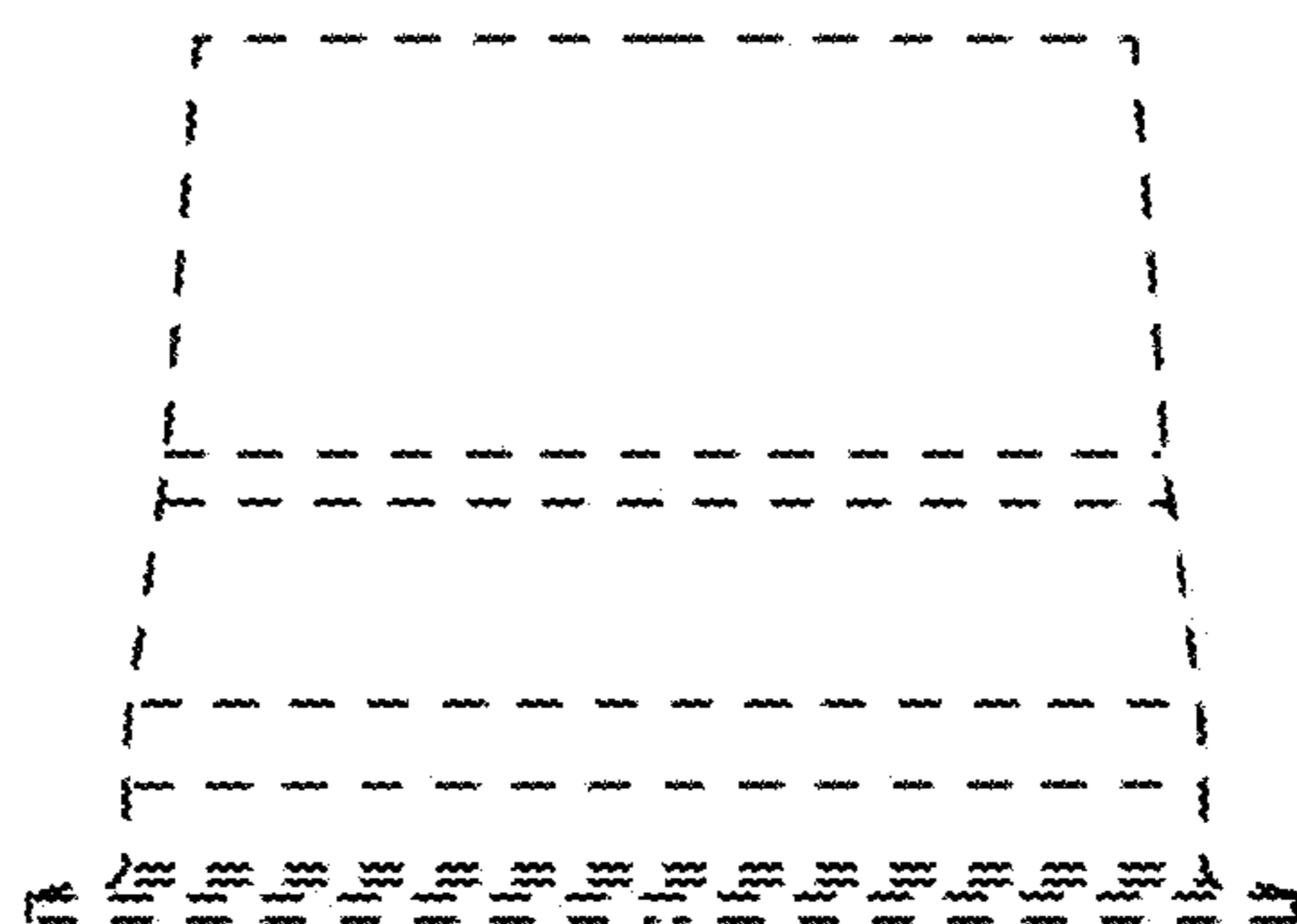


FIG. 14

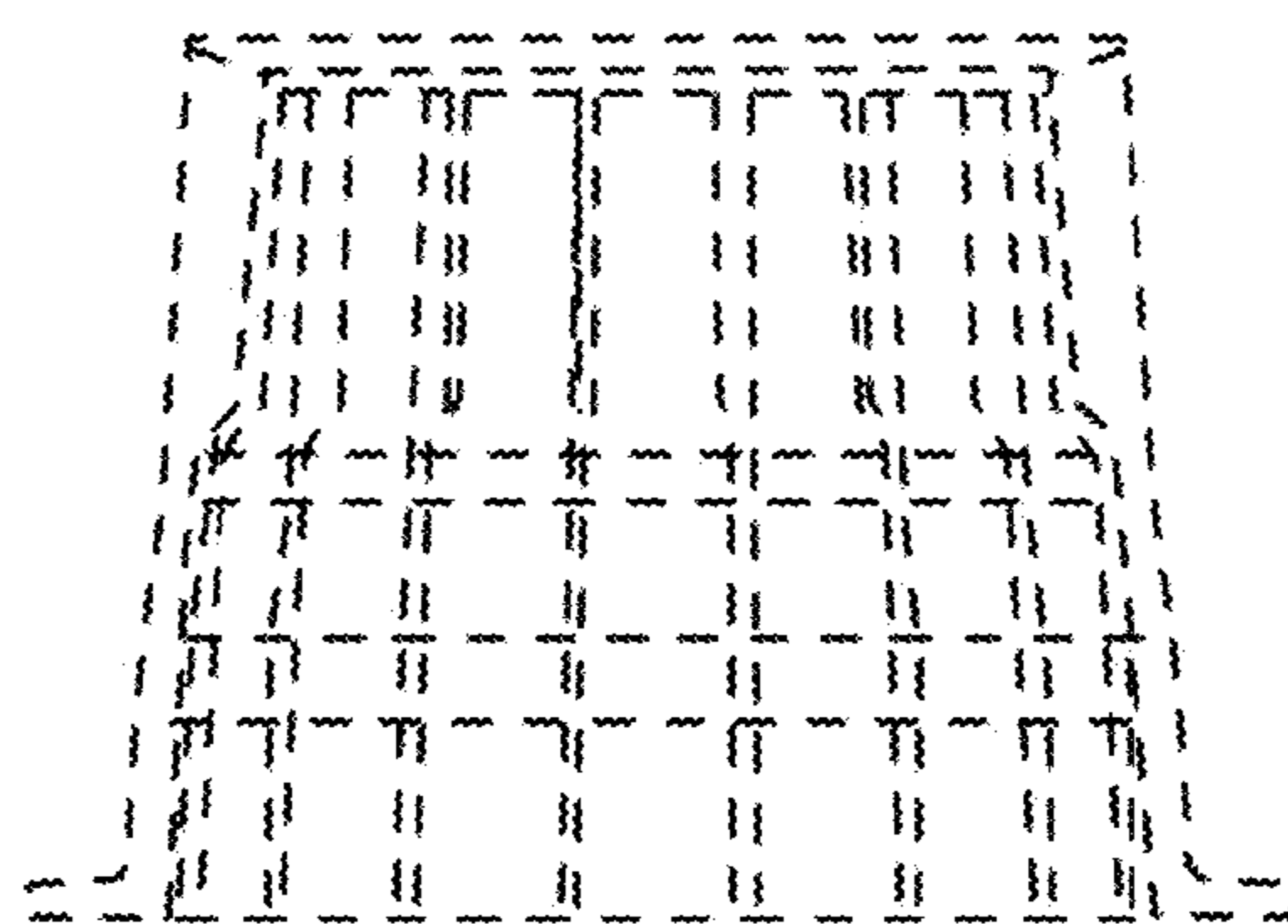


FIG. 15