

US00D772348S

(12) **United States Design Patent** (10) **Patent No.:** **US D772,348 S**
Kozeki (45) **Date of Patent:** **** Nov. 22, 2016**

(54) **JOINT FOR TOY CONSTRUCTION SET**
(71) Applicant: **BUSYU KOGYO CO., LTD.**, Tokyo
(JP)

D686,675 S * 7/2013 Jensen D21/487
D690,370 S * 9/2013 Macadam D21/487
D711,972 S * 8/2014 Norman D21/487
D711,973 S * 8/2014 Norman D21/487
D728,697 S * 5/2015 Gutierrez D21/487

(72) Inventor: **Ryuichi Kozeki**, Tokyo (JP)
(73) Assignee: **BUSYU KOGYO CO., LTD.**, Tokyo
(JP)

FOREIGN PATENT DOCUMENTS

JP 1207162 S 6/2004
JP 1213598 S 8/2004

(**) Term: **15 Years**

* cited by examiner

(21) Appl. No.: **29/561,698**

Primary Examiner — Cynthia M Chin
(74) *Attorney, Agent, or Firm* — Cermak Nakajima &
McGowan LLP; Tomoko Nakajima

(22) Filed: **Apr. 19, 2016**

(57) **CLAIM**

The ornamental design for a joint for toy construction set, as shown and described.

Related U.S. Application Data

DESCRIPTION

(62) Division of application No. 29/497,289, filed on Jul. 23, 2014, now Pat. No. Des. 760,850.

(51) **LOC (10) Cl.** **21-01**

(52) **U.S. Cl.**
USPC **D21/487**

(58) **Field of Classification Search**
USPC D21/49–495, 500–505; D8/354, 382;
446/69, 89, 92, 102–128; 434/259,
434/208, 403; 52/503; 273/153, 156, 160
CPC A63H 33/00; A63H 33/04; A63H 33/06;
A63H 33/08; A63H 33/10; A63H 33/12;
A63H 33/14; A63F 9/08; A63F 9/12; G09B
1/36

See application file for complete search history.

The contents of Japanese Design Application No. 2014-001302, filed on Jan. 24, 2014, including specification, drawings and the claim, are incorporated herein by reference in their entireties.

FIG. 1 is a front elevational view of a joint for toy construction set showing my new design;
FIG. 2 is a top plan view thereof;
FIG. 3 is a right side elevational view thereof;
FIG. 4 is a left side elevational view thereof;
FIG. 5 is a rear elevational view thereof;
FIG. 6 is a bottom plan view thereof; and,
FIG. 7 is a perspective view thereof.

(56) **References Cited**

U.S. PATENT DOCUMENTS

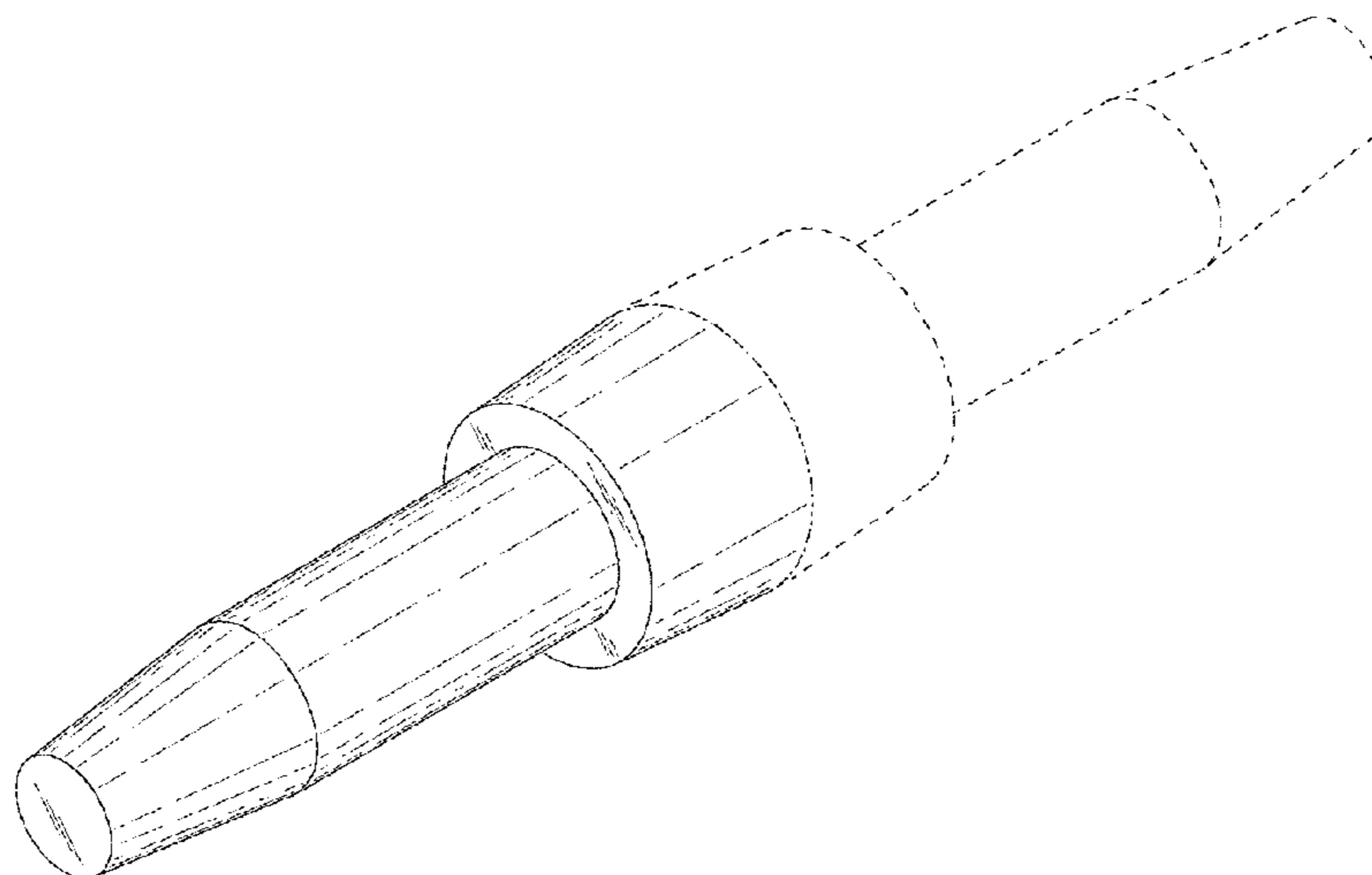
D278,834 S * 5/1985 Satoh D21/498
D286,168 S * 10/1986 Mazzoleni D21/484
D367,897 S * 3/1996 Schmidt D21/486
D409,083 S * 5/1999 Bernstein D8/382
D409,677 S * 5/1999 Jensen D21/486

The broken line in the drawings is included for the purpose of illustrating environment and forms no part of the claimed design.

The dash-dot line represents the boundary of the claimed design.

None of the broken or dash-dot lines form a part of the claimed design.

1 Claim, 7 Drawing Sheets



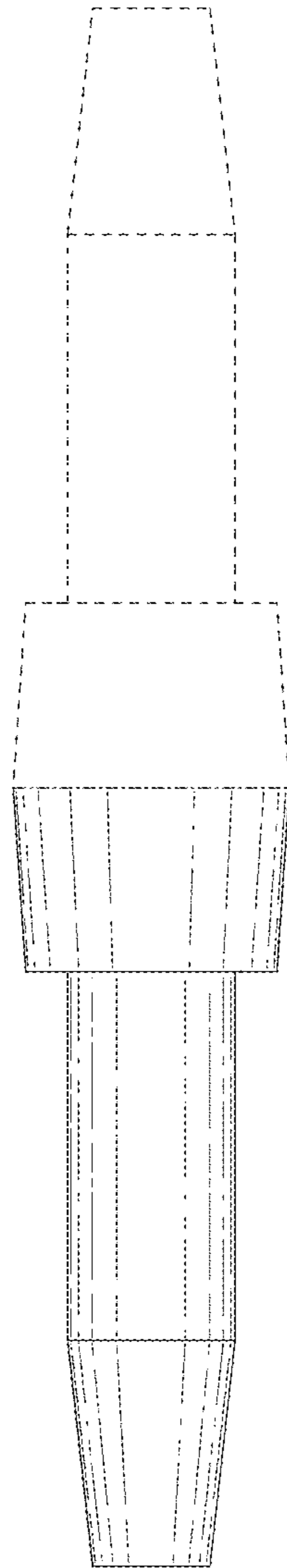


FIG.1

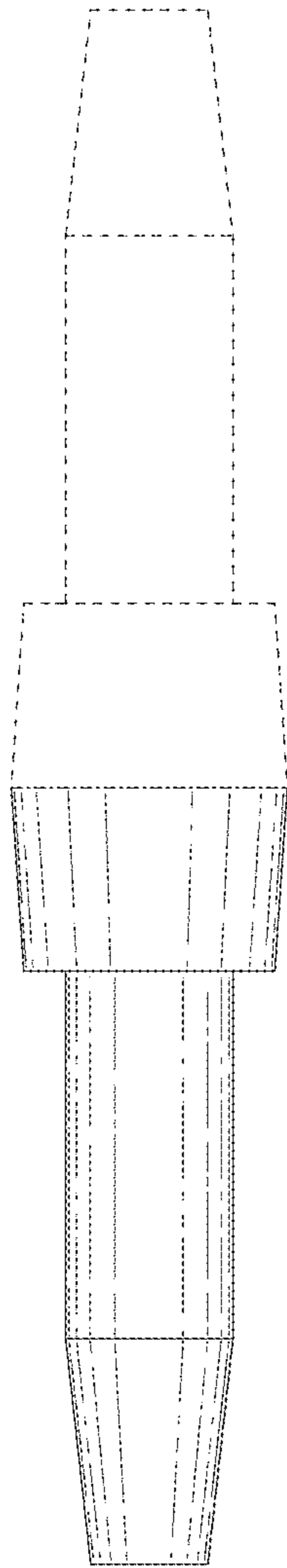


FIG.2

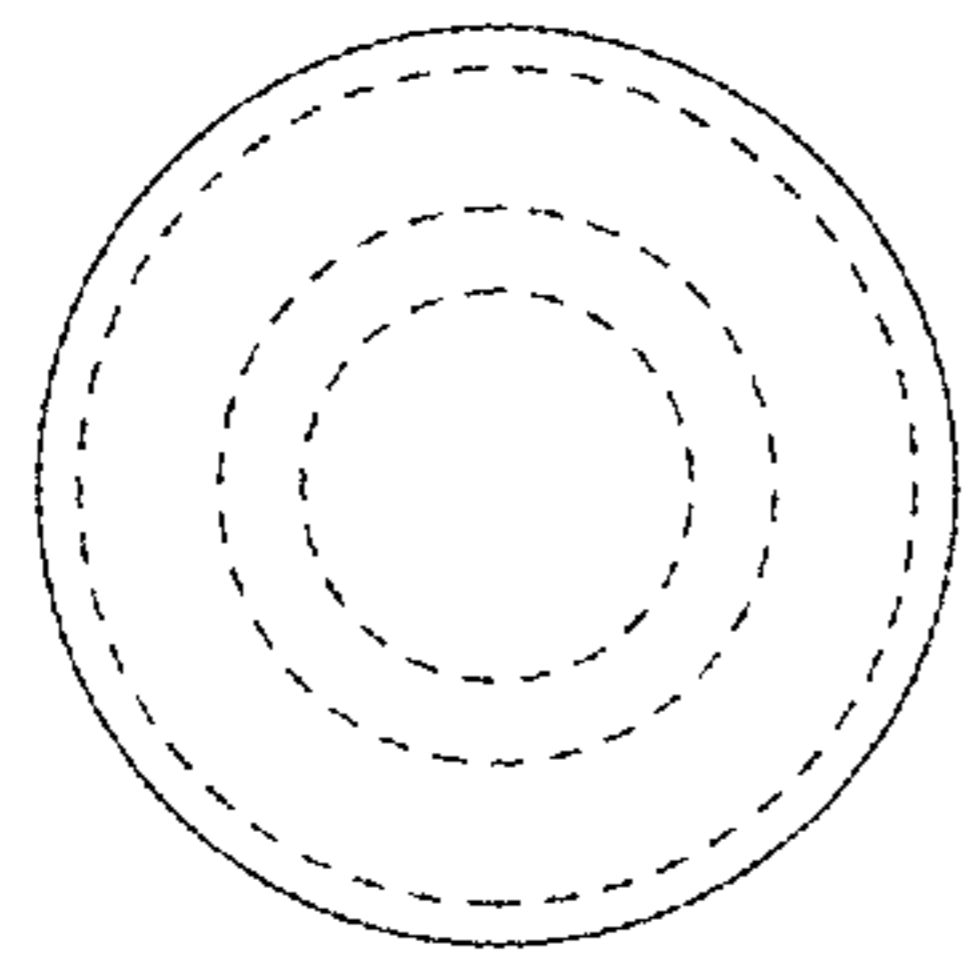


FIG.3

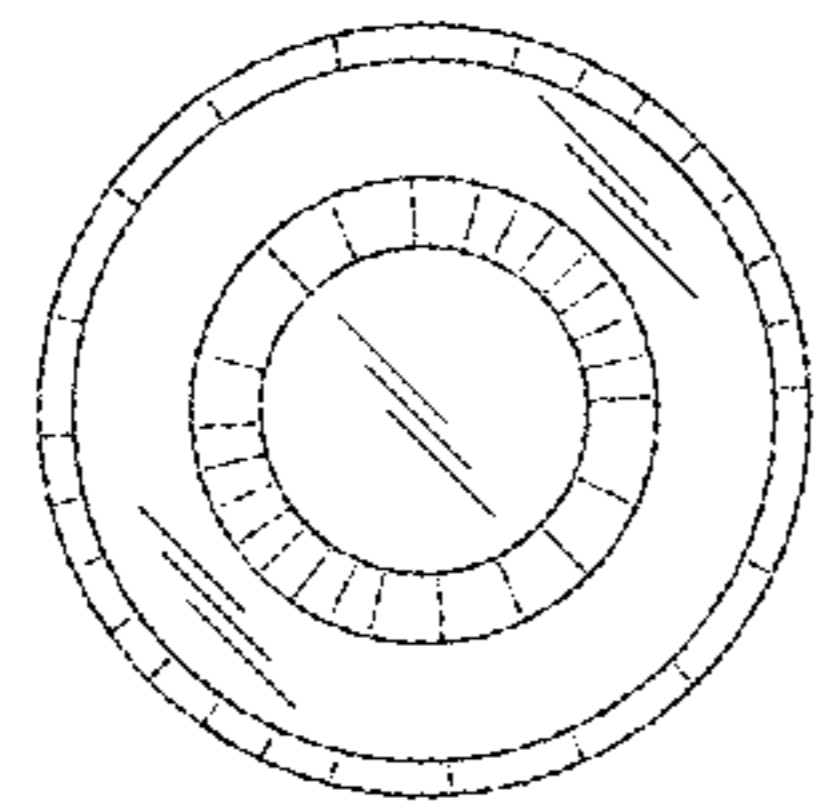


FIG.4

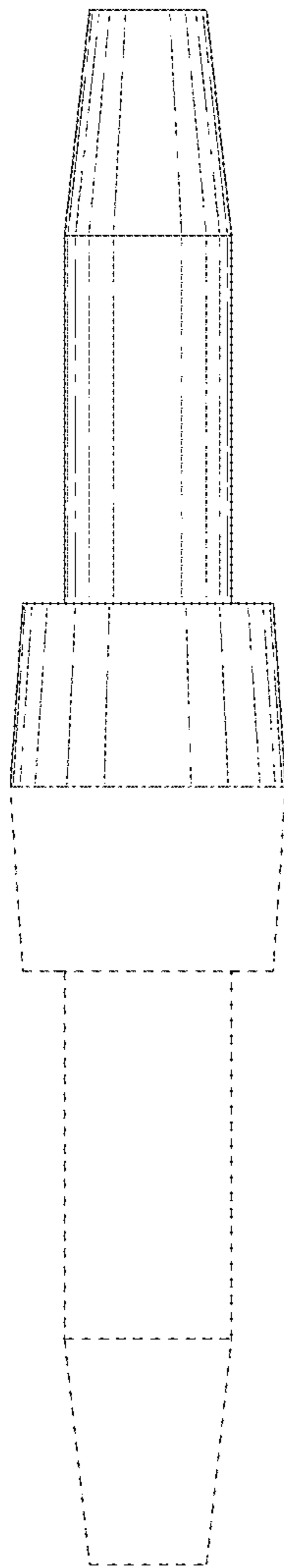


FIG.5

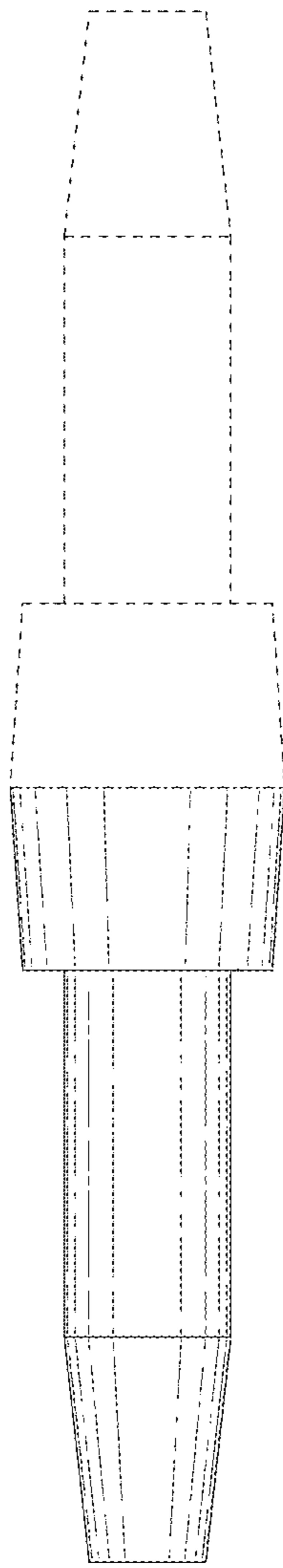


FIG.6

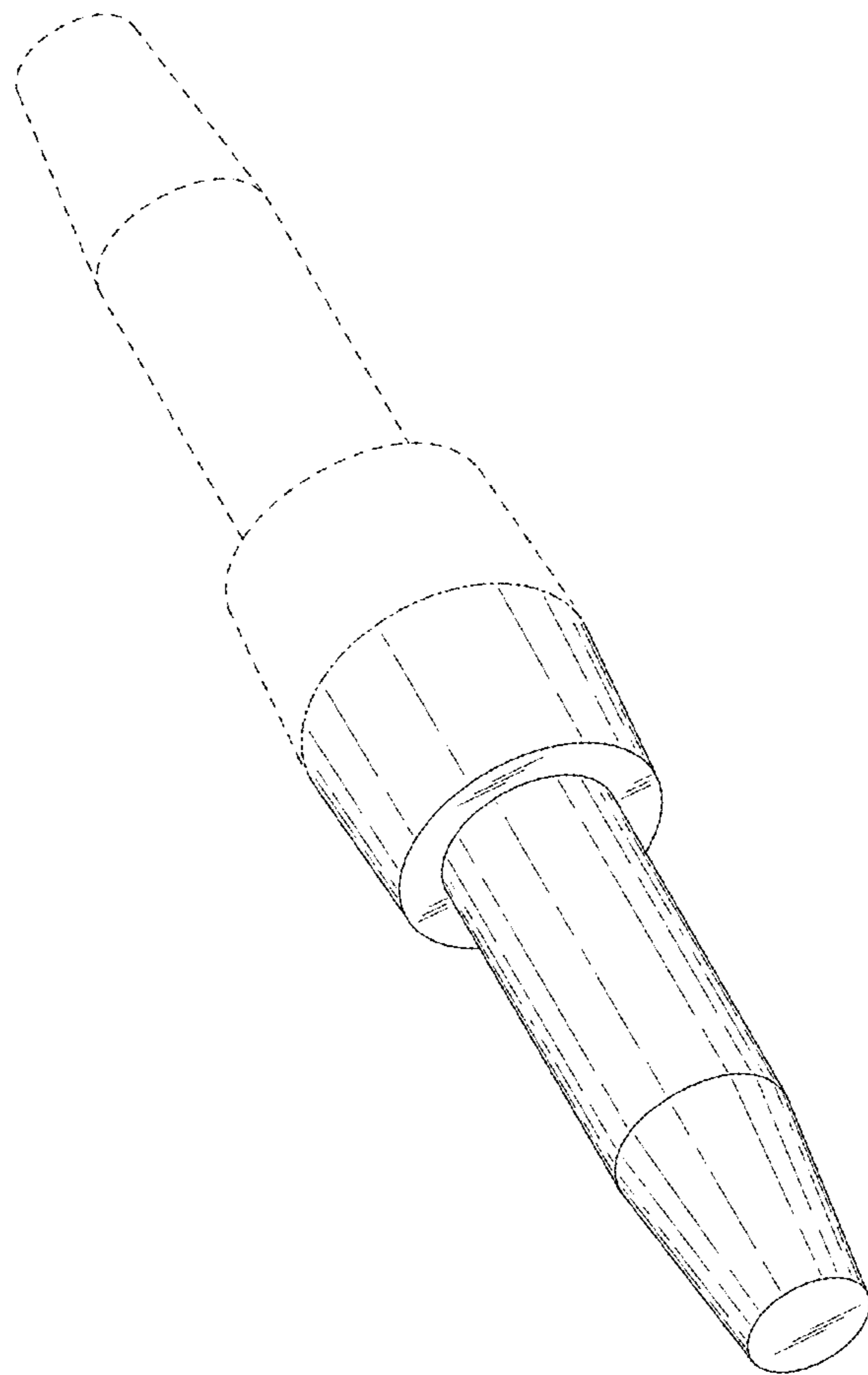


FIG.7