



US00D772346S

(12) **United States Design Patent** (10) **Patent No.:** **US D772,346 S**
Eiger (45) **Date of Patent:** **** Nov. 22, 2016**

(54) **BOARD GAME**

(71) Applicant: **M&M Ventures (2014) Limited,**
Gibraltar (GB)

(72) Inventor: **Shlomi Eiger,** Kfar Saba (IL)

(73) Assignee: **M&M Ventures (2014) Limited,** Town
Range (GI)

(**) Term: **15 Years**

(21) Appl. No.: **29/534,192**

(22) Filed: **Jul. 27, 2015**

(30) **Foreign Application Priority Data**

Jan. 26, 2015 (EM) 001429344-0001
Jan. 26, 2015 (EM) 001429344-0002

(51) **LOC (10) Cl.** **21-01**

(52) **U.S. Cl.**
USPC **D21/392**

(58) **Field of Classification Search**
USPC D21/334-338, 392
CPC A63F 9/20; A63F 2009/205; A47F 7/14;
A47F 7/145
See application file for complete search history.

(56) **References Cited**

U.S. PATENT DOCUMENTS

1,479,350 A * 1/1924 Wiel A63F 9/20
273/150
1,616,602 A * 2/1927 Williams A47F 7/145
211/55
D201,411 S * 6/1965 Tucker D19/90
D253,775 S * 12/1979 Lar Rieu D19/91
D262,727 S * 1/1982 Snyder 273/150
D282,989 S * 3/1986 Nelson D6/553
D286,167 S * 10/1986 Greitzer D19/90
D291,900 S * 9/1987 Mortensen 273/150
D301,490 S * 6/1989 Horowitz D19/75

D311,578 S * 10/1990 MacIsaac D21/392
D323,860 S * 2/1992 Cutler D21/337
D347,451 S * 5/1994 Kazakowitz D20/44
D349,521 S * 8/1994 Harris, III D21/336
D353,412 S * 12/1994 Bull D21/392
D367,501 S * 2/1996 Molt D20/44
D372,742 S * 8/1996 Kakudo D20/44
D389,870 S * 1/1998 Hart D19/86
D424,125 S * 5/2000 Cregan D21/392

* cited by examiner

Primary Examiner — Darlington Ly

Assistant Examiner — Daniel J Domino

(74) *Attorney, Agent, or Firm* — Pearl Cohen Zedek
Latzer Baratz LLP

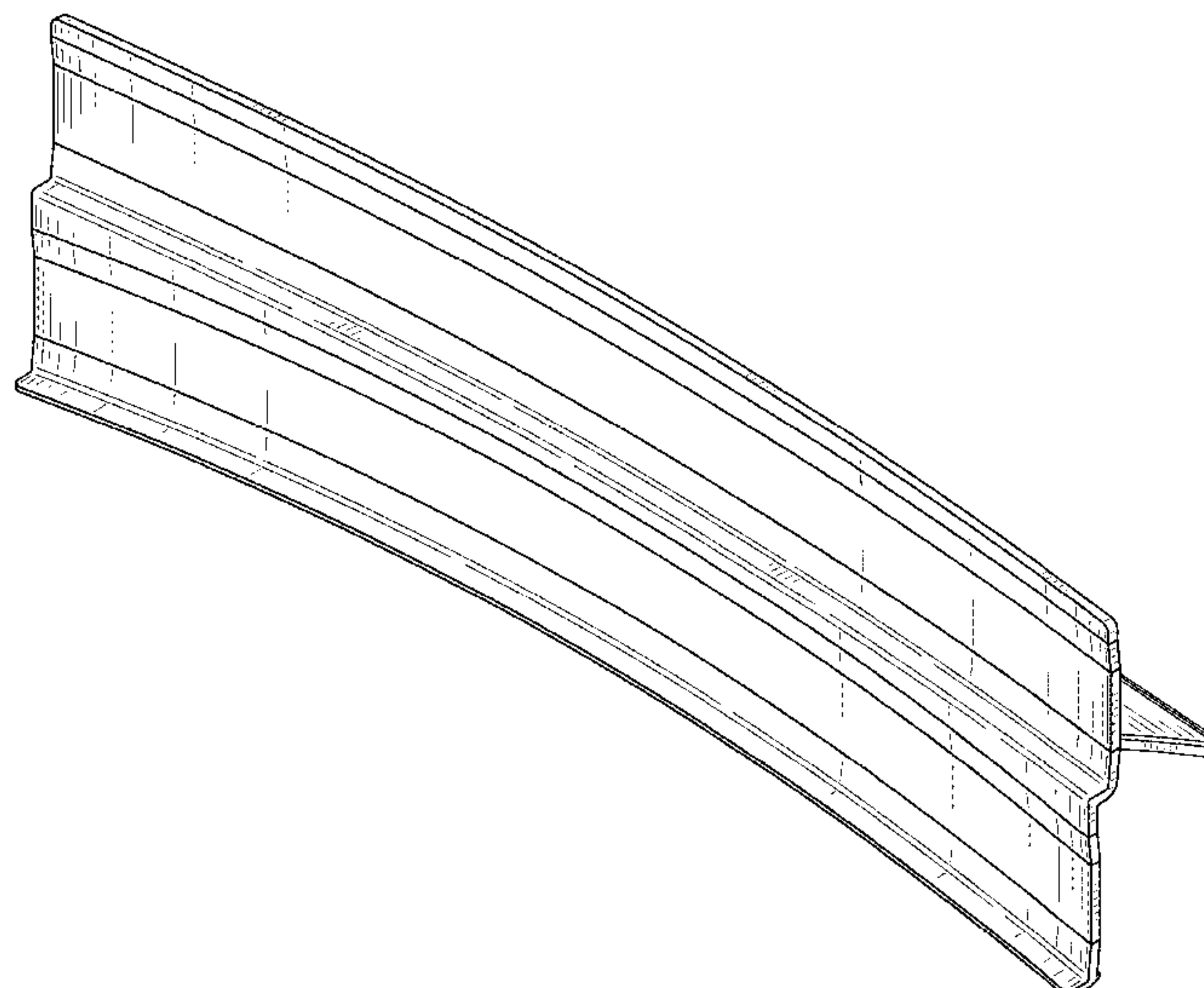
(57) **CLAIM**

The ornamental design for a board game, as shown and described.

DESCRIPTION

FIG. 1 is a top, front, right side perspective view of a first embodiment of the board game;
FIG. 2 is a front elevational view thereof
FIG. 3 is a back elevational view thereof;
FIG. 4 is a right side elevational view thereof;
FIG. 5 is a left side elevational view thereof;
FIG. 6 is a top plan view thereof;
FIG. 7 is a bottom plan view thereof;
FIG. 8 is a top, back, right side perspective view thereof;
FIG. 9 is a top, front, right side perspective view of a second embodiment of the board game;
FIG. 10 is a front elevational view thereof
FIG. 11 is a back elevational view thereof;
FIG. 12 is a right side elevational view thereof;
FIG. 13 is a left side elevational view thereof;
FIG. 14 is a top plan view thereof;
FIG. 15 is a bottom plan view thereof; and,
FIG. 16 is a top, back, right side perspective view thereof.

1 Claim, 10 Drawing Sheets



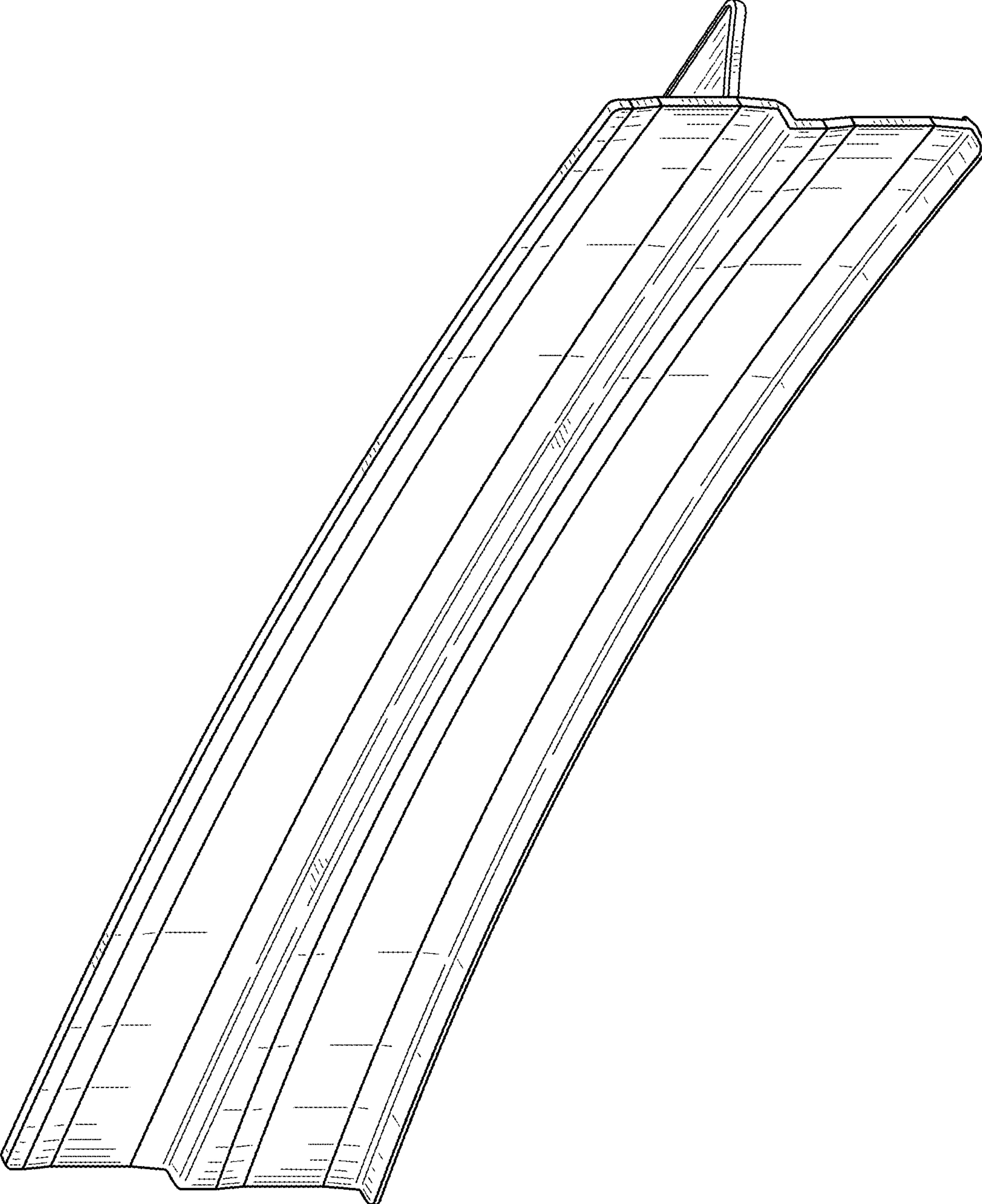


FIG. 1

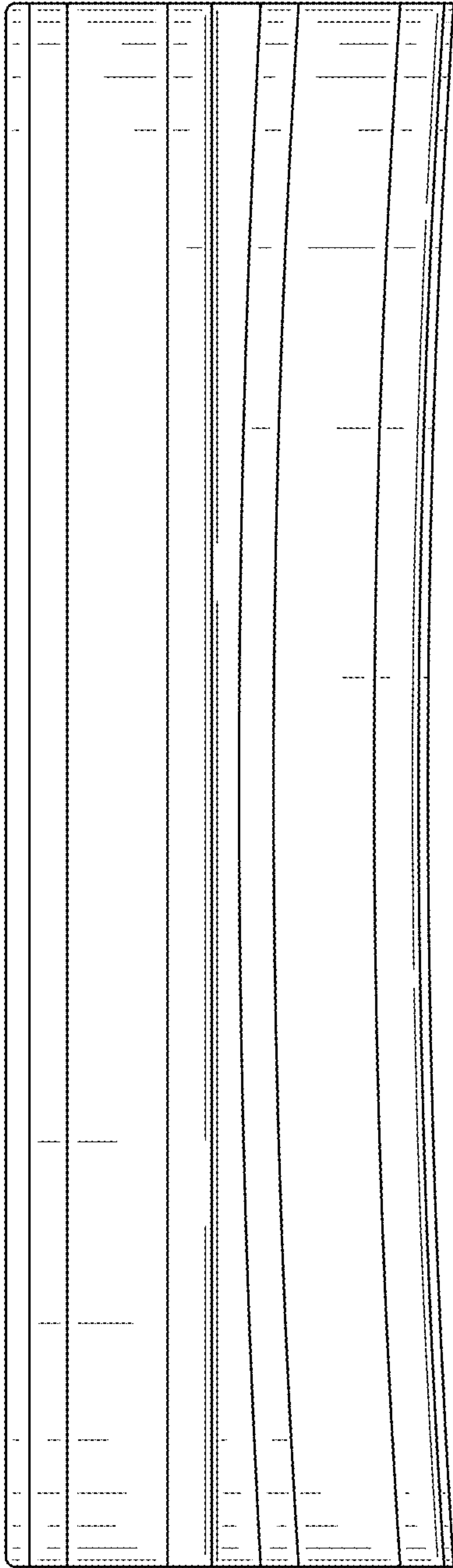


FIG. 2

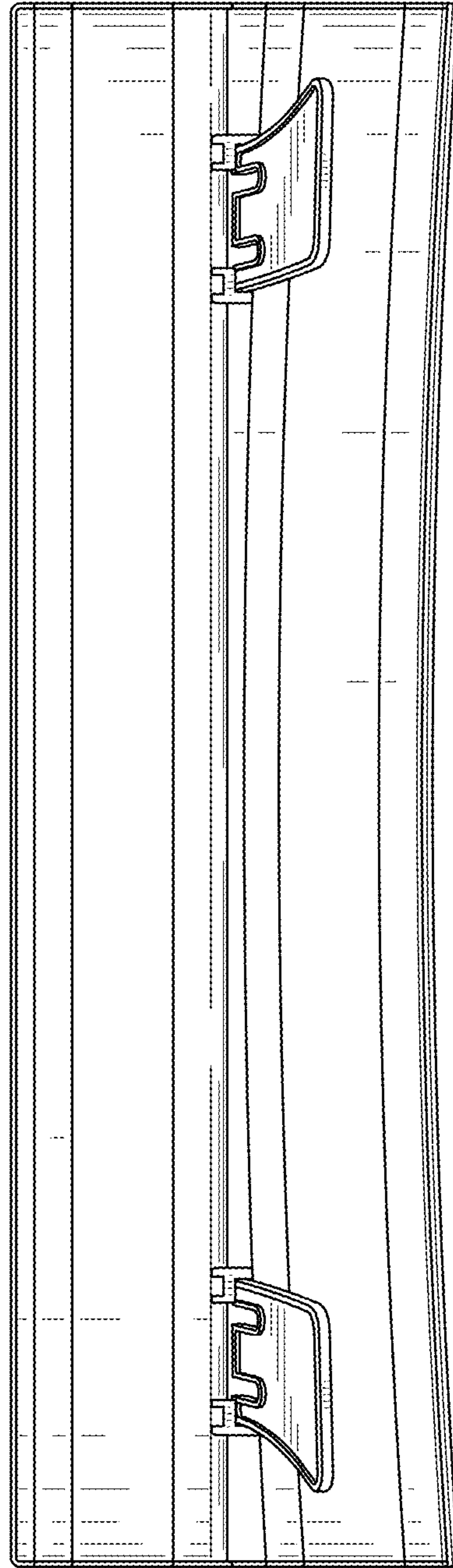


FIG. 3

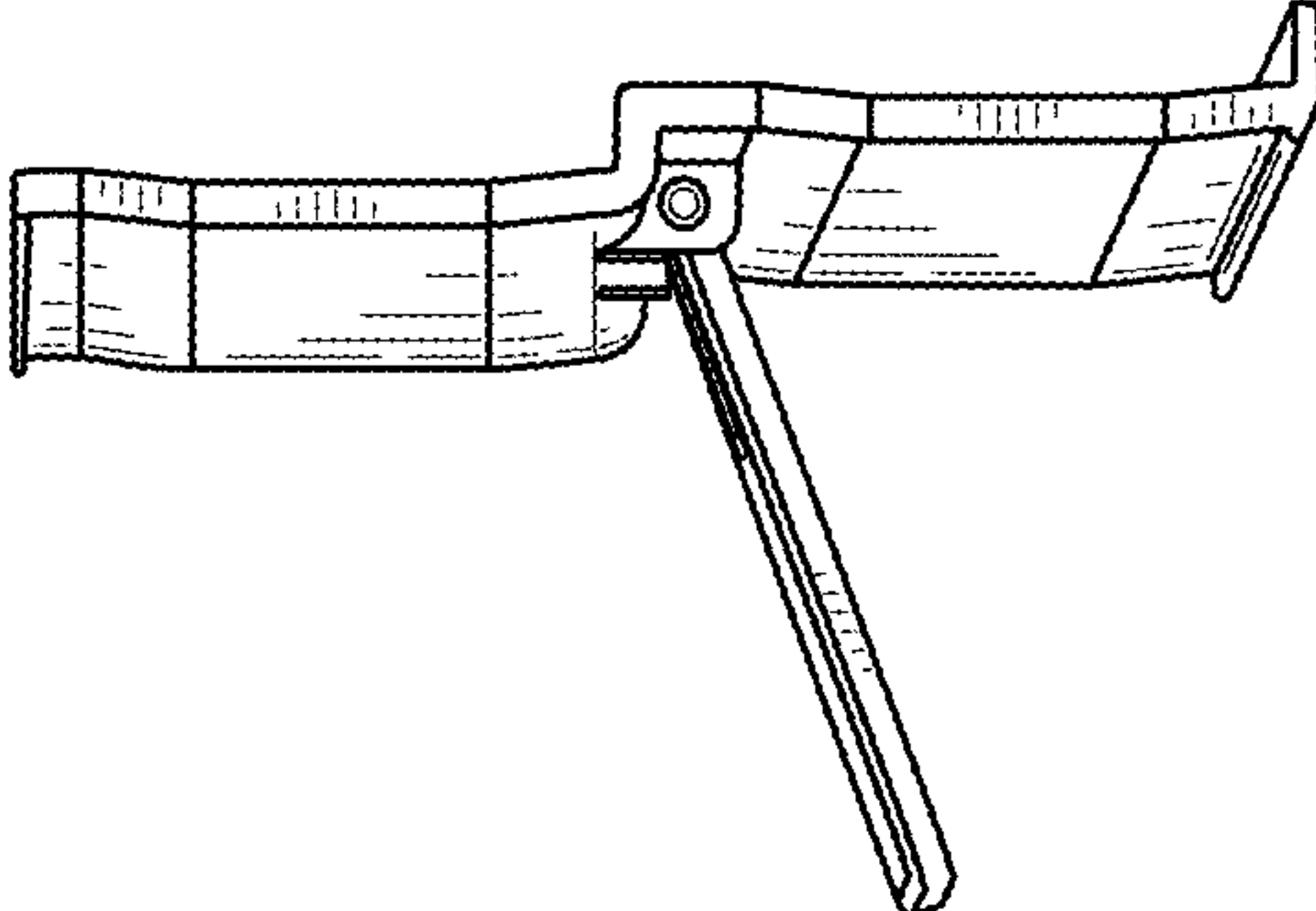


FIG. 5

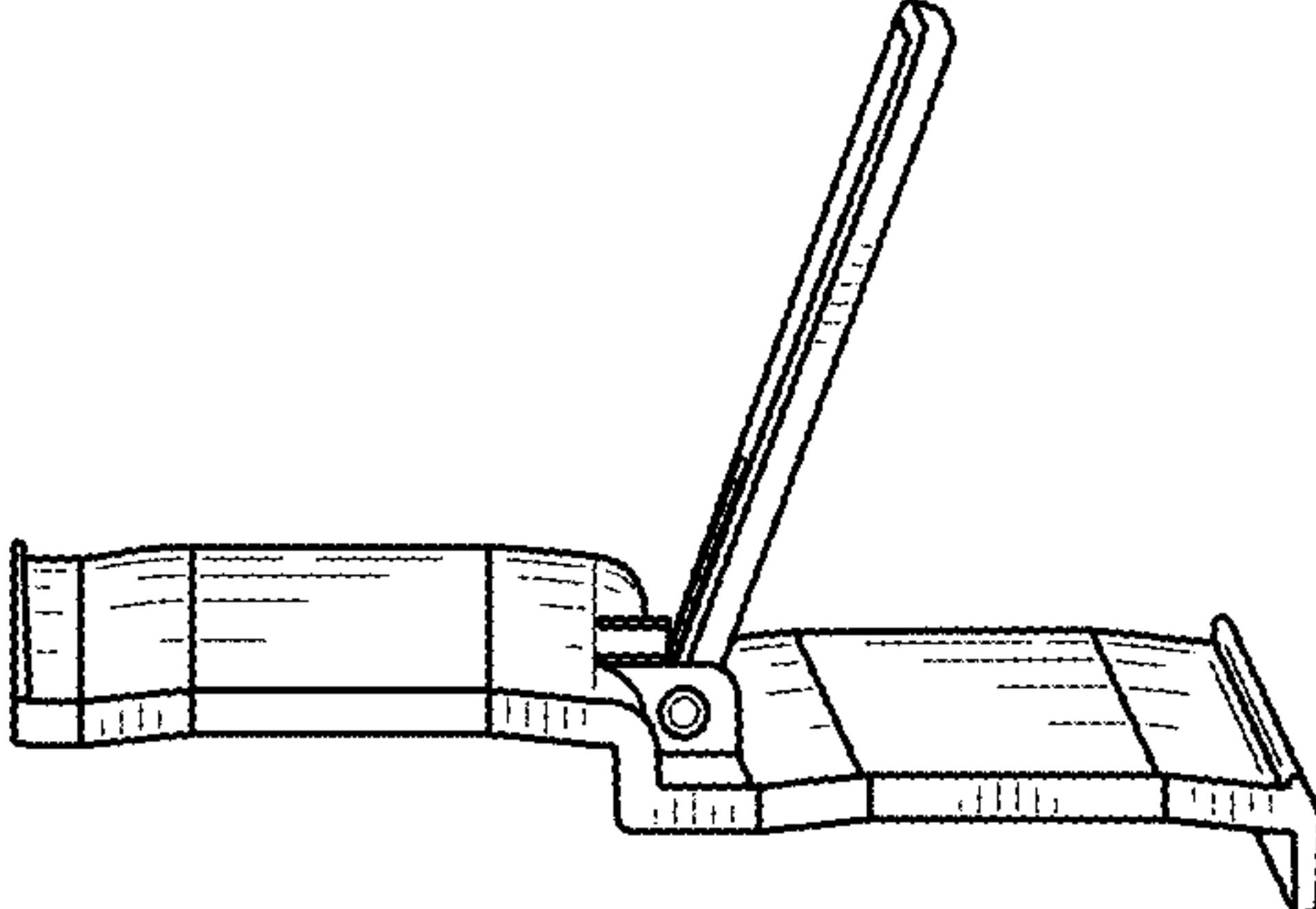


FIG. 4

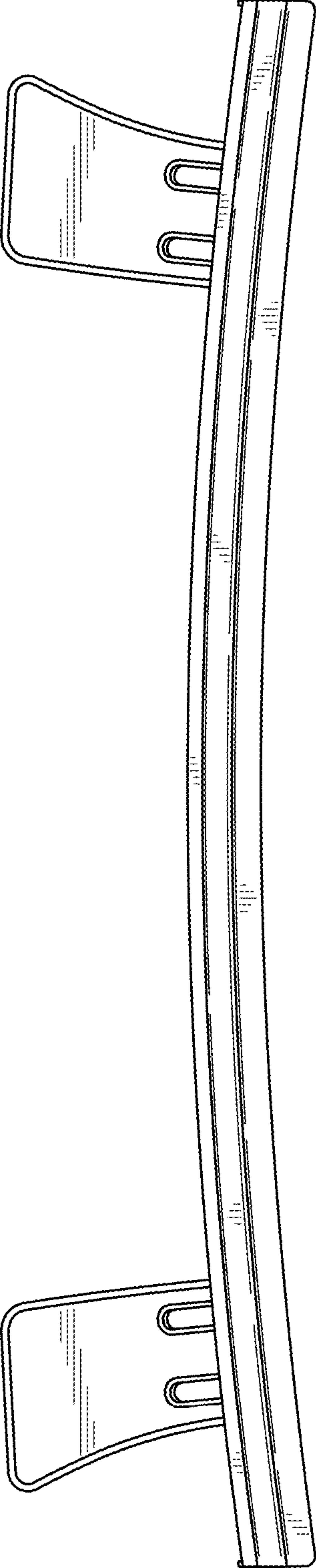


FIG. 6

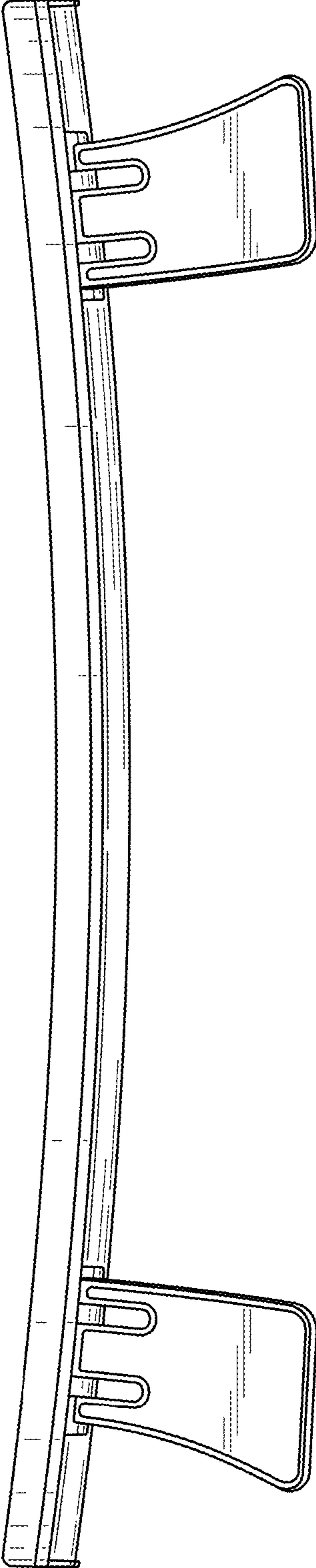


FIG. 7

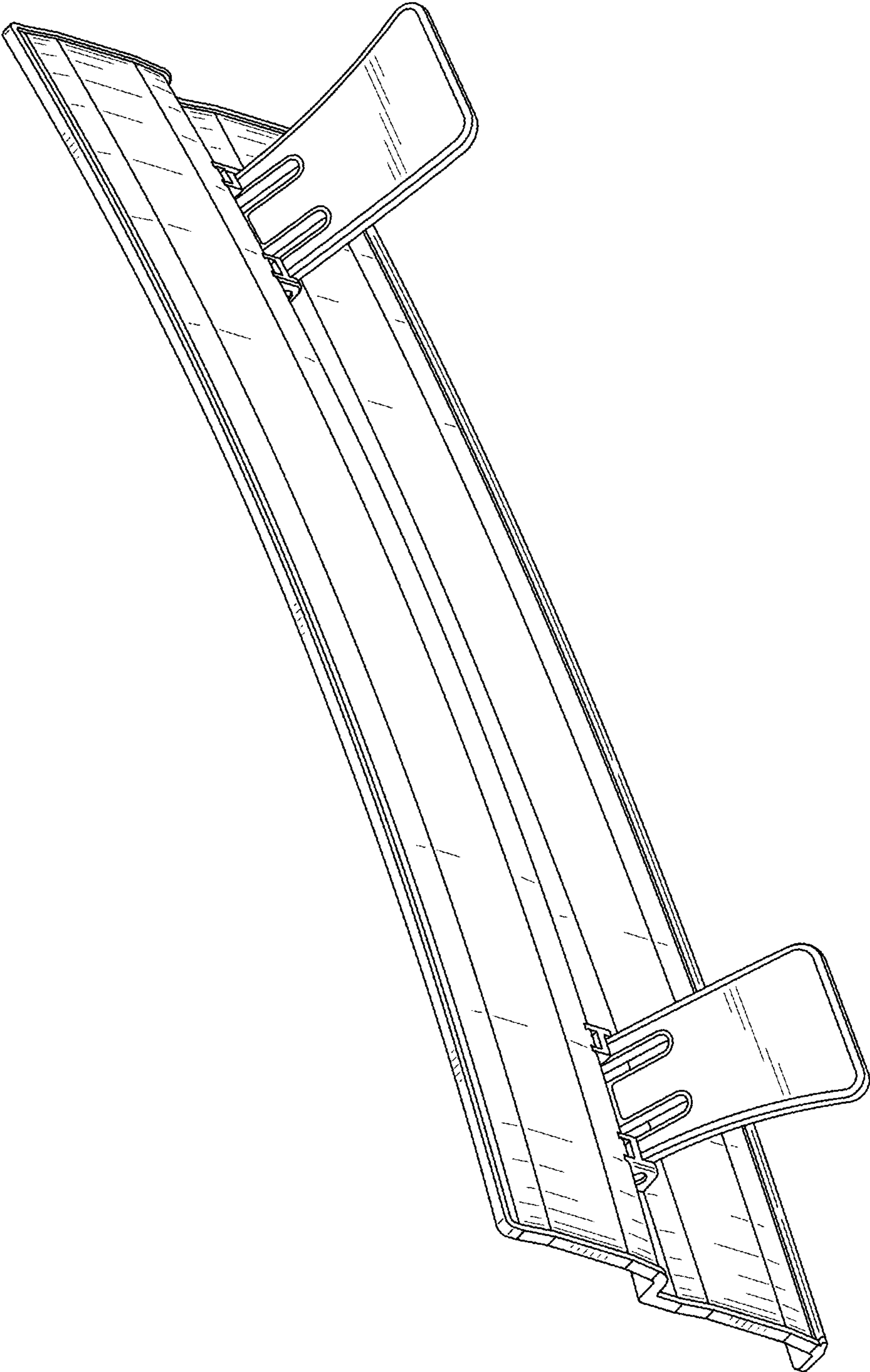


FIG. 8

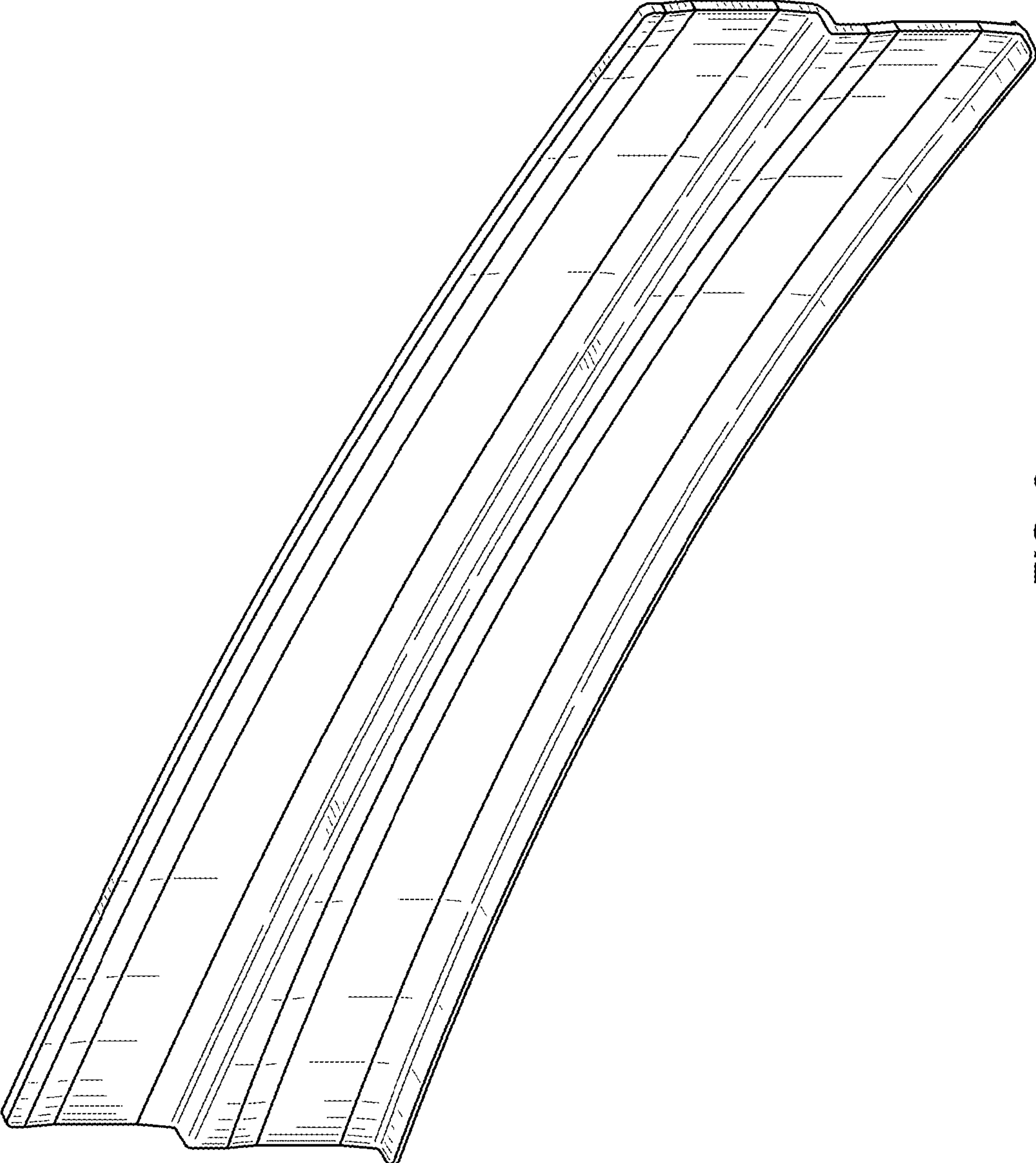


FIG. 9

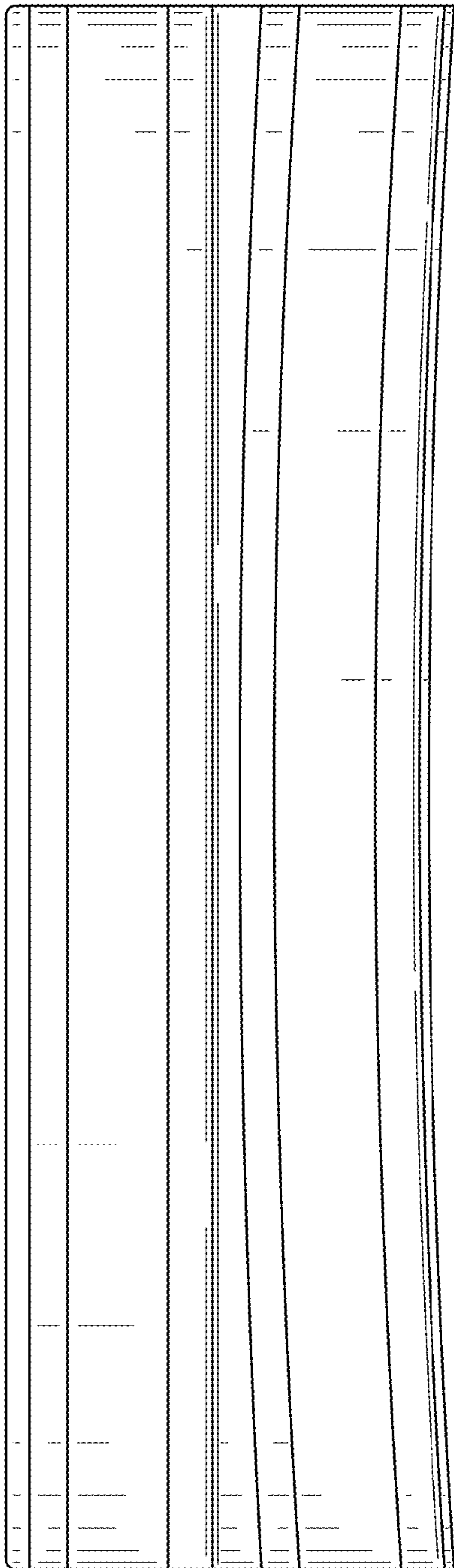


FIG. 10

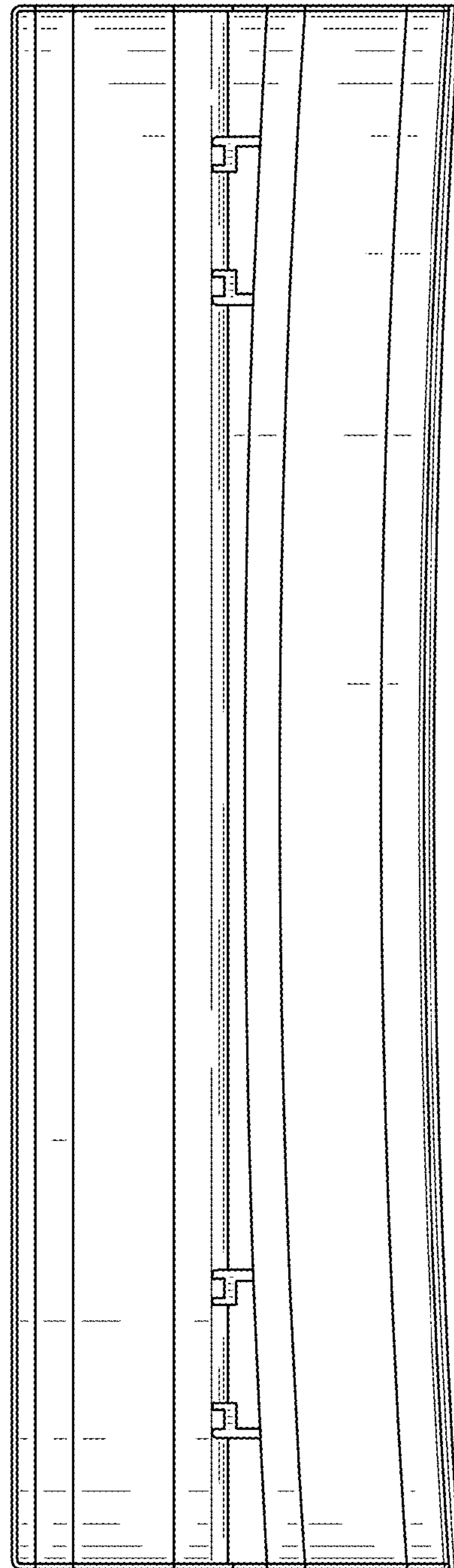


FIG. 11

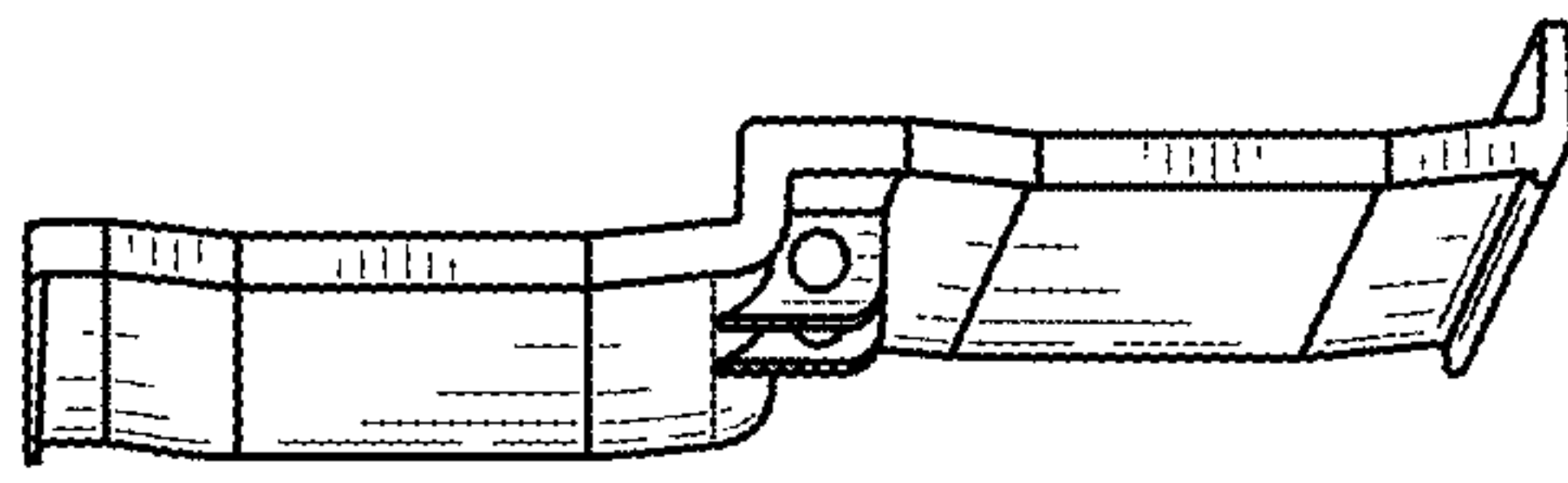


FIG. 13

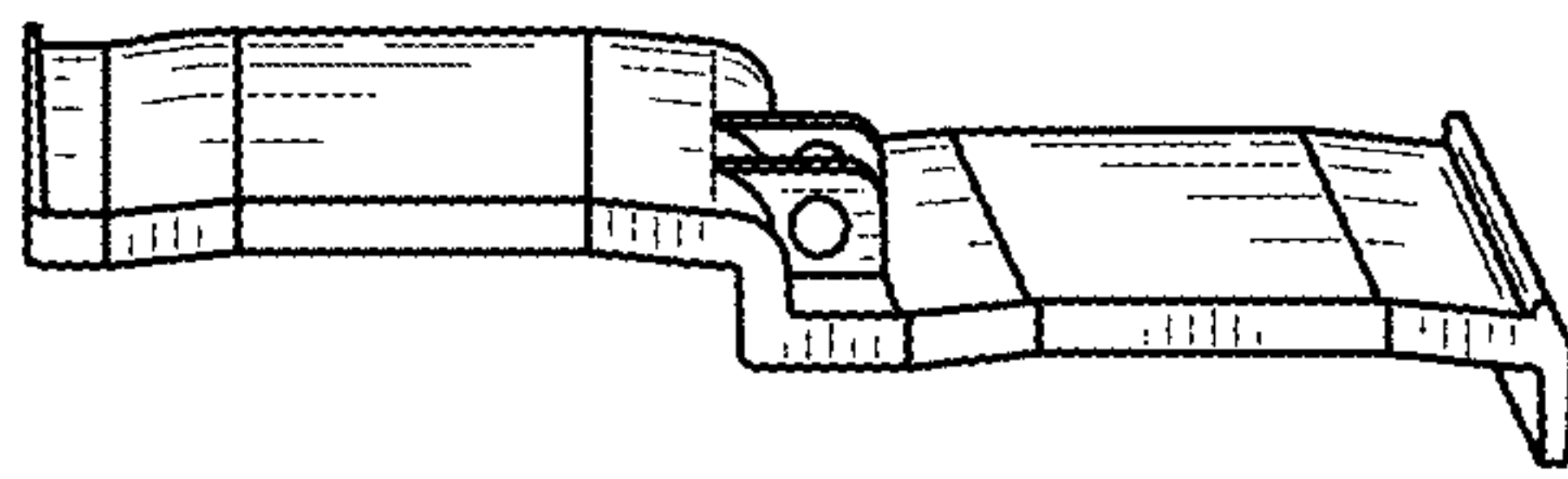


FIG. 12

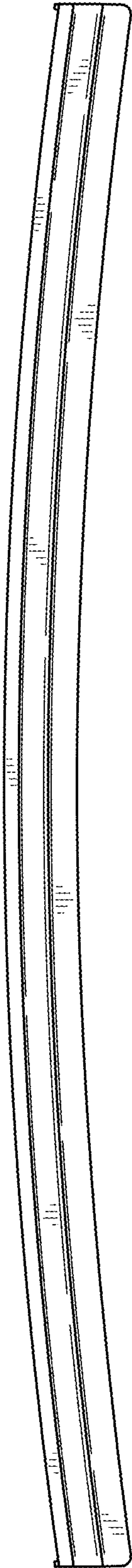


FIG. 14

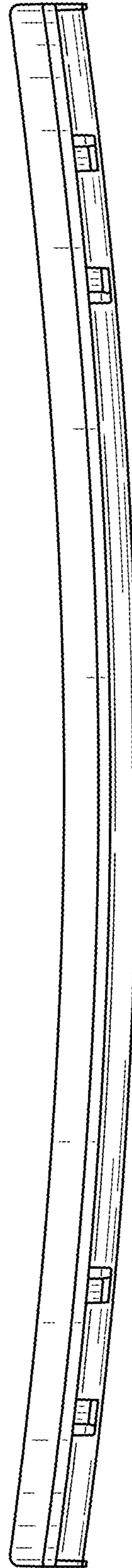


FIG. 15

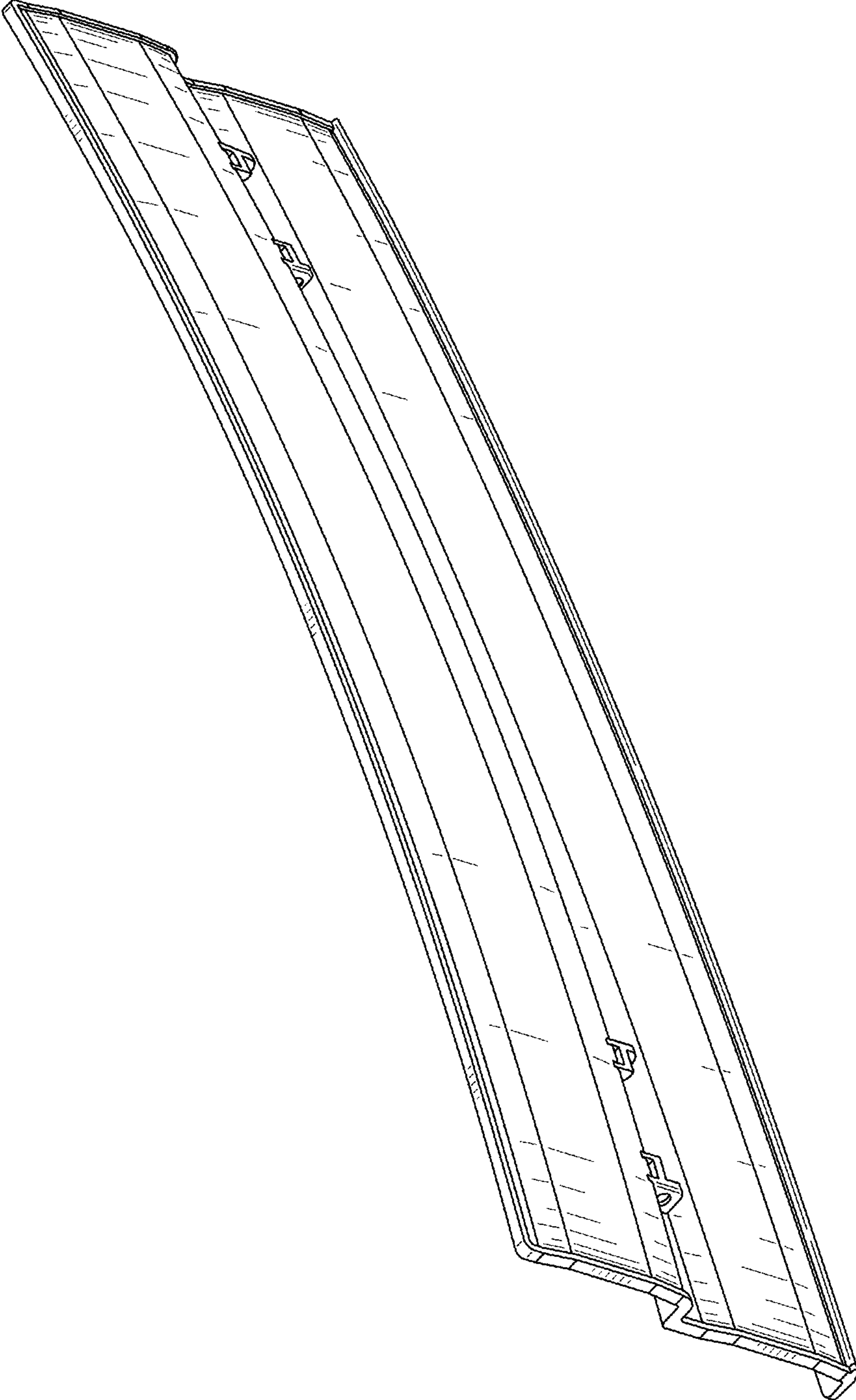


FIG. 16