



US00D772345S

(12) **United States Design Patent** (10) **Patent No.:** **US D772,345 S**
Eiger (45) **Date of Patent:** **** Nov. 22, 2016**

- (54) **GAME TILE**
- (71) Applicant: **M&M Ventures (2014) Limited**, Gibraltar (GB)
- (72) Inventor: **Shlomi Eiger**, Kfar Saba (IL)
- (73) Assignee: **M&M Ventures (2014) Limited**, Town Range (GI)
- (**) Term: **15 Years**
- (21) Appl. No.: **29/534,196**
- (22) Filed: **Jul. 27, 2015**
- (30) **Foreign Application Priority Data**
 - Jan. 26, 2015 (EM) 001429344-0003
 - Jan. 26, 2015 (EM) 001429344-0004
- (51) **LOC (10) Cl.** **21-01**
- (52) **U.S. Cl.**
USPC **D21/386**
- (58) **Field of Classification Search**
USPC D21/385, 386, 390, 391
CPC A63F 9/10; A63F 9/20; A63F 9/34; G09B 19/02
See application file for complete search history.

6,209,875 B1 *	4/2001	Vildosola	A63F 9/20
				273/302
D446,255 S *	8/2001	Kupperman	D21/386
D461,853 S *	8/2002	Cheng	D21/391
D515,146 S *	2/2006	Su	D21/390
D516,131 S *	2/2006	Su	D21/390
D542,859 S *	5/2007	Denoual	D21/391
D559,918 S *	1/2008	Ramsey	D21/391
D560,726 S *	1/2008	Denoual	D21/371
D560,727 S *	1/2008	Denoual	D21/391
D573,661 S *	7/2008	Golad	D21/386
D583,877 S *	12/2008	Denoual	D21/391
D624,131 S *	9/2010	Nathanson	D21/391
D662,149 S *	6/2012	Nathanson	D21/391

* cited by examiner

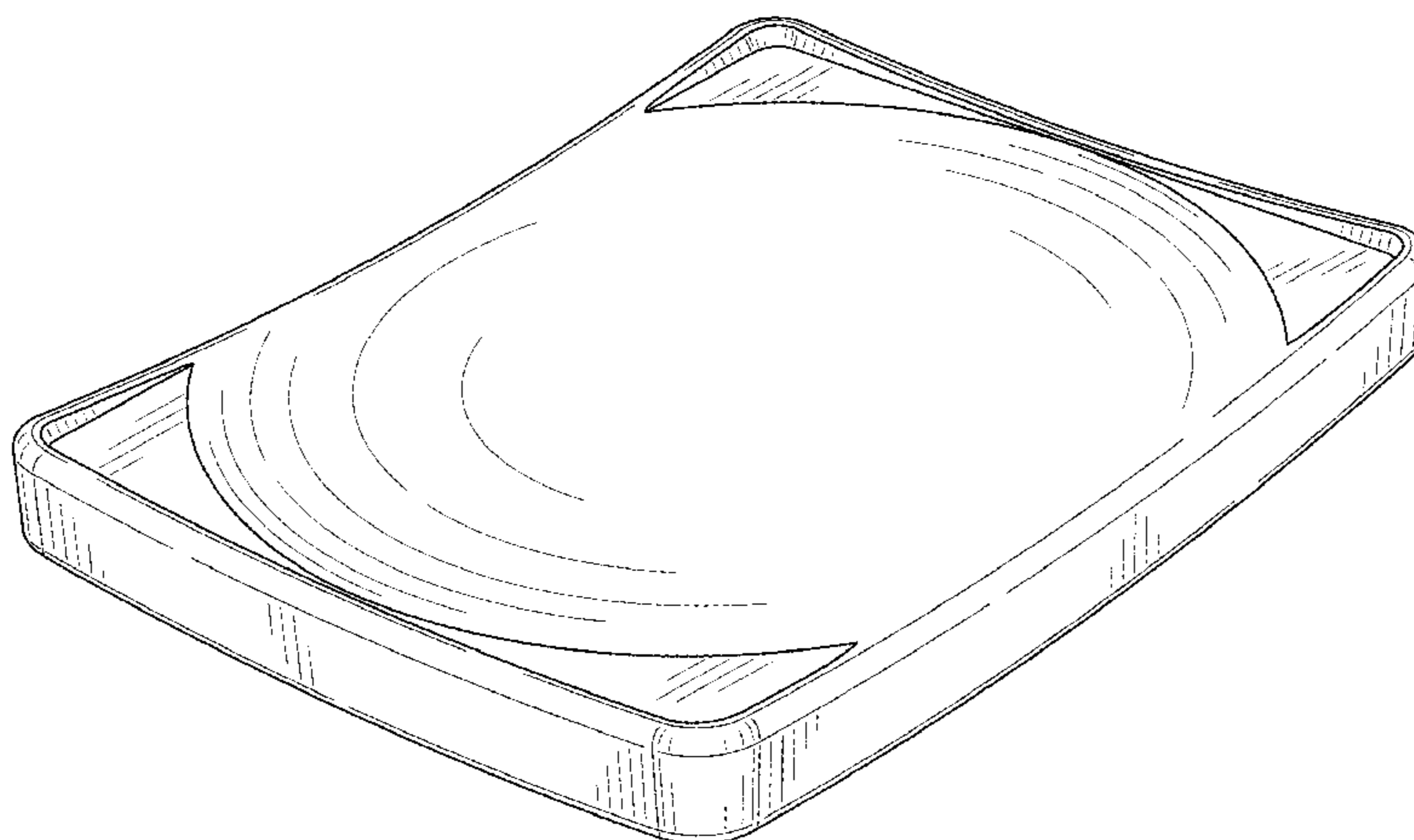
Primary Examiner — Darlington Ly
Assistant Examiner — Daniel J Domino
(74) *Attorney, Agent, or Firm* — Pearl Cohen Zedek Latzer Baratz LLP

(57) **CLAIM**
The ornamental design for a game tile, as shown and described.

DESCRIPTION

FIG. 1 is a bottom, front, right side perspective view of a game tile;
FIG. 2 is a front view thereof;
FIG. 3 is a rear view thereof;
FIG. 4 is a right side view thereof;
FIG. 5 is a left side view thereof;
FIG. 6 is bottom view thereof;
FIG. 7 is a top view thereof;
FIG. 8 is a bottom, rear, left side perspective view thereof;
FIG. 9 is a bottom, front, right side perspective view of a game tile with an environmental surface ornamentation;
FIG. 10 is a front view thereof;
FIG. 11 is a rear view thereof;
FIG. 12 is a right side view thereof;
FIG. 13 is a left side view thereof;
FIG. 14 is bottom view thereof;
FIG. 15 is a top view thereof; and,
FIG. 16 is a bottom, rear, left side perspective view thereof.
The broken lines shown in the drawings represent portions of the game tile which form no part of the claimed design.

1 Claim, 8 Drawing Sheets



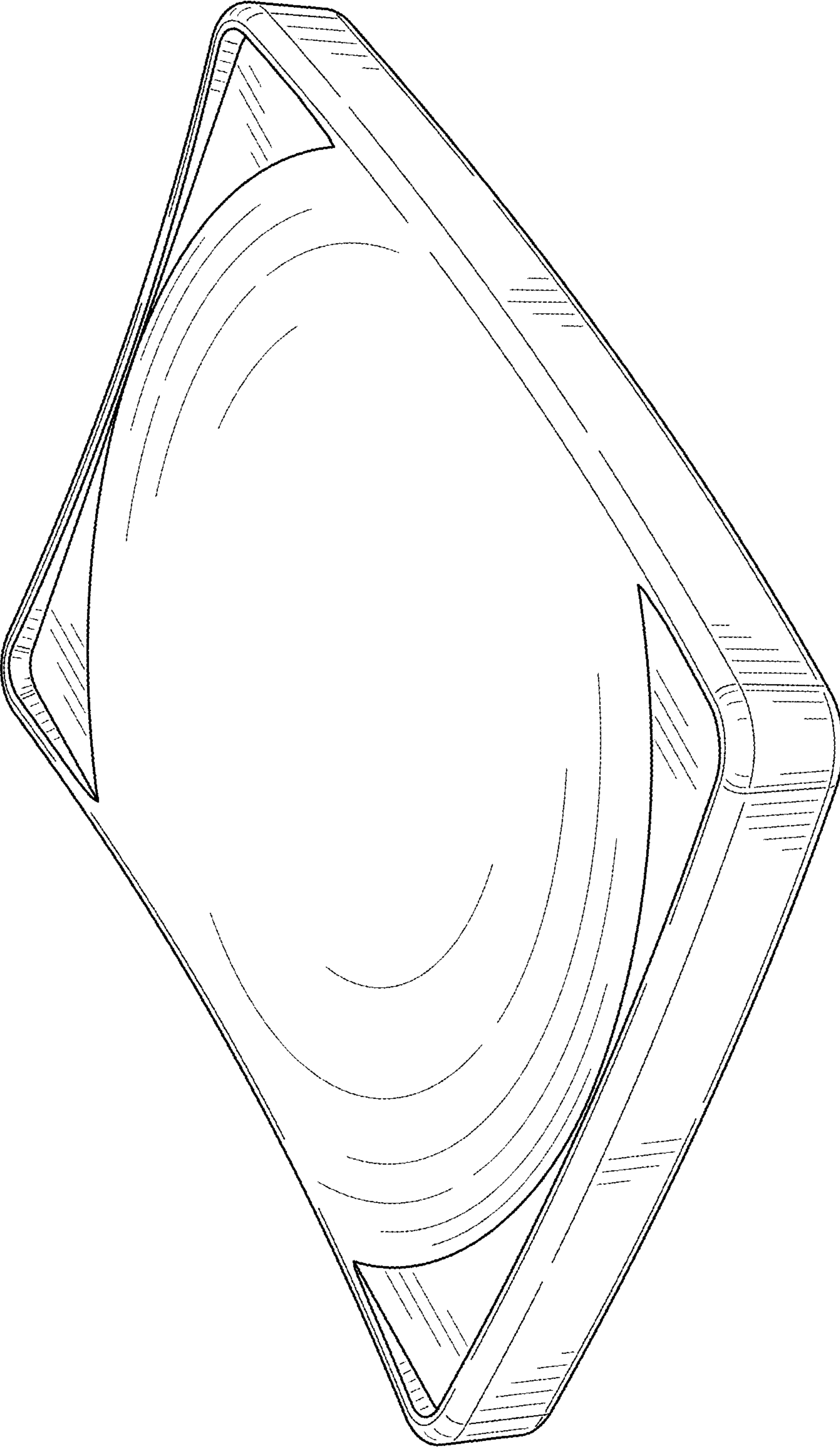


FIG. 1

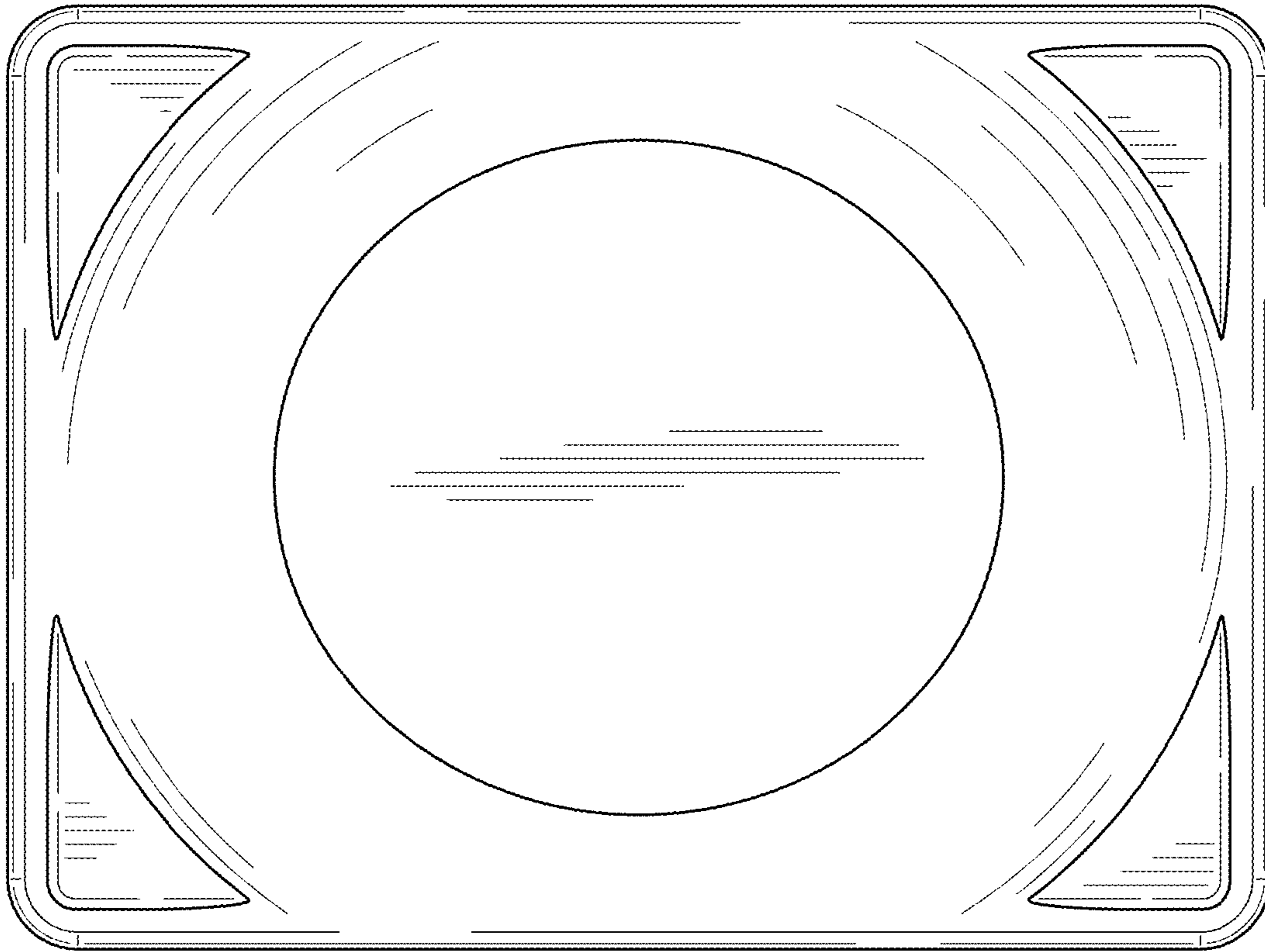


FIG. 3

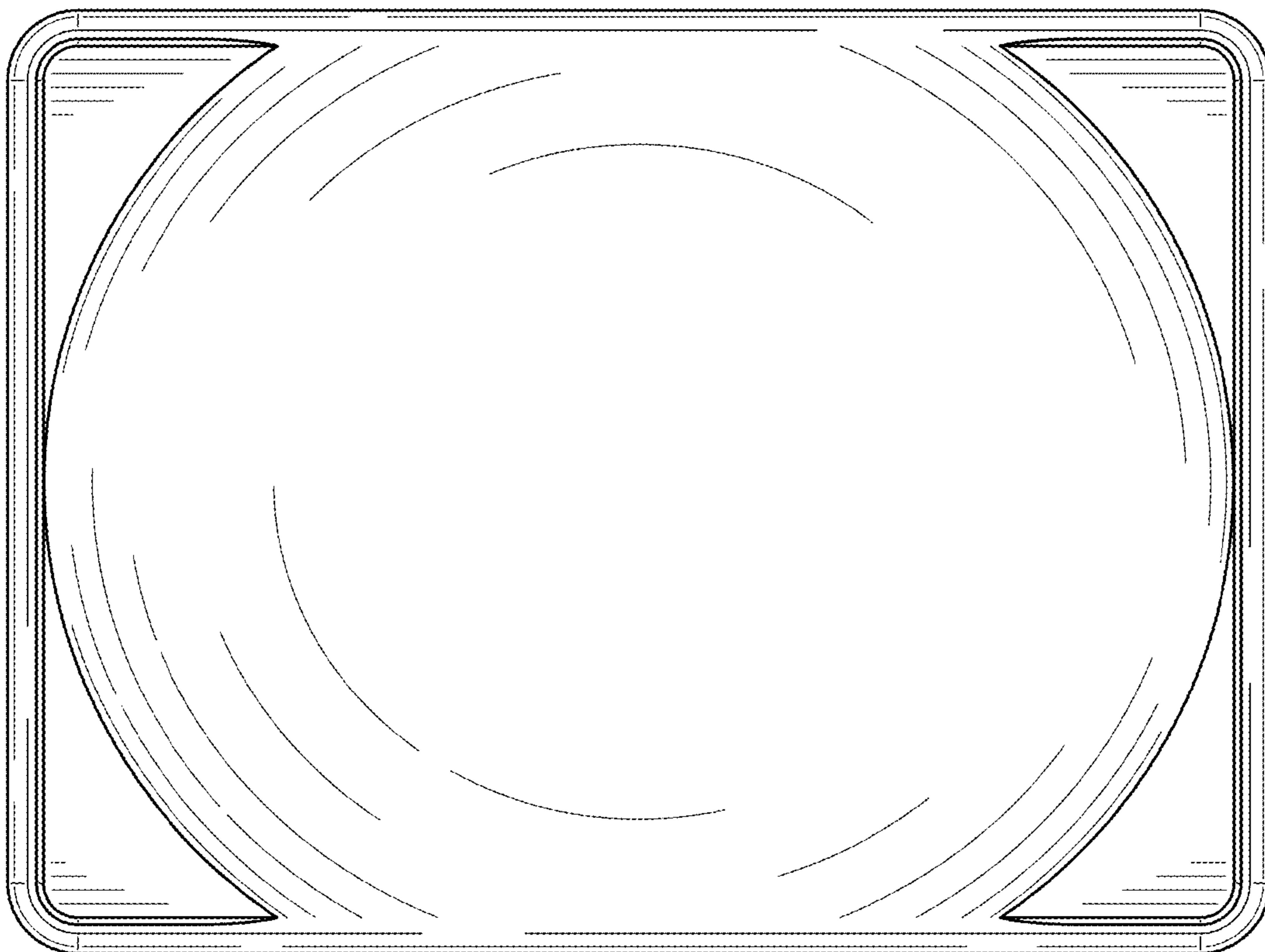


FIG. 2

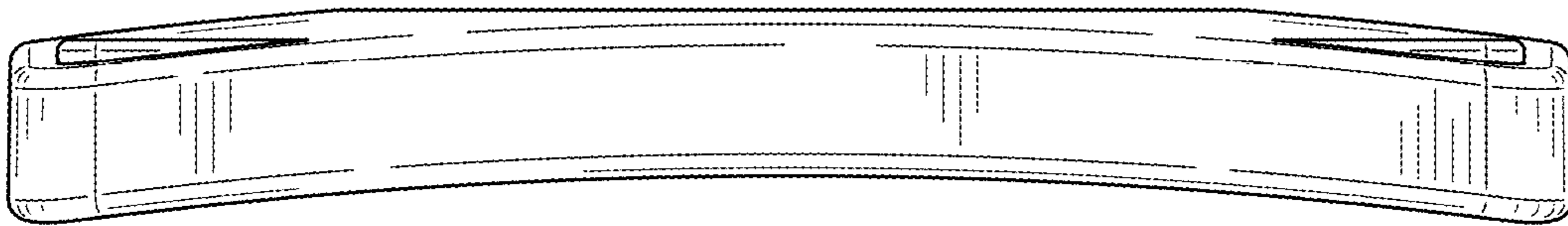


FIG. 4

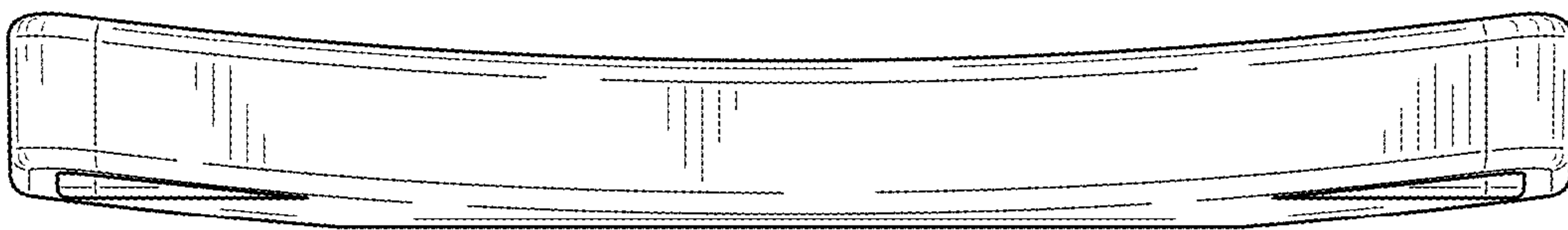


FIG. 5

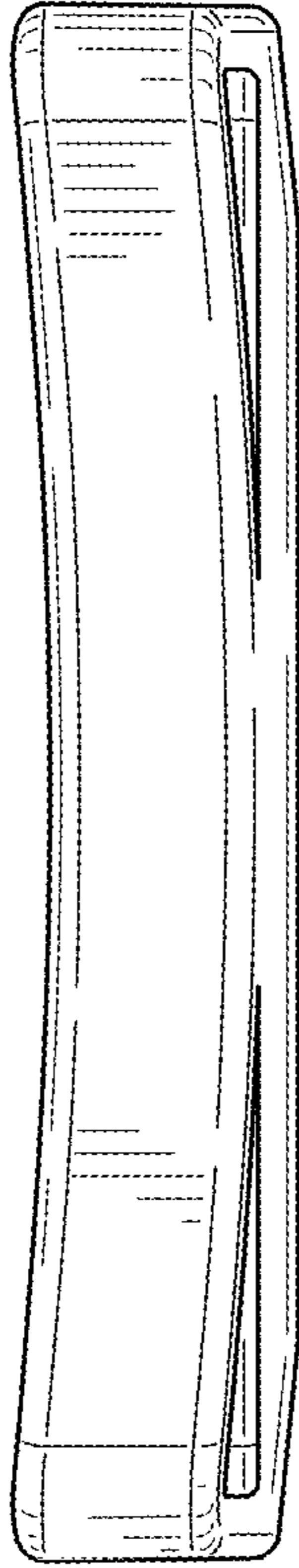


FIG. 6

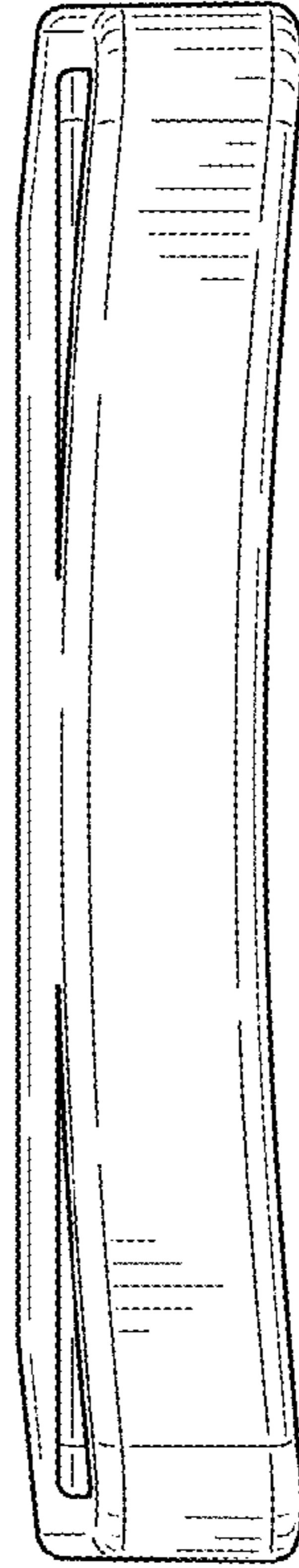


FIG. 7

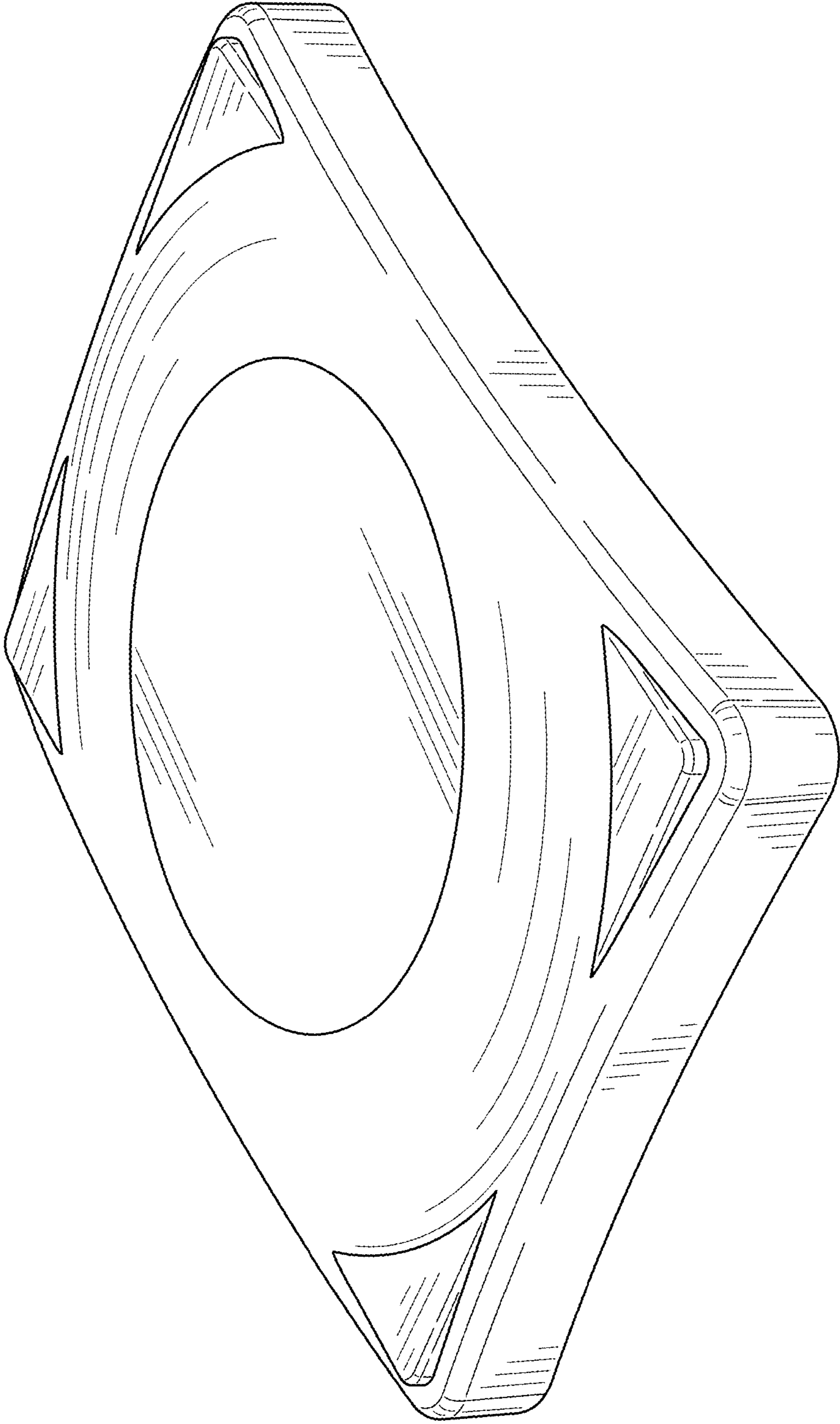


FIG. 8

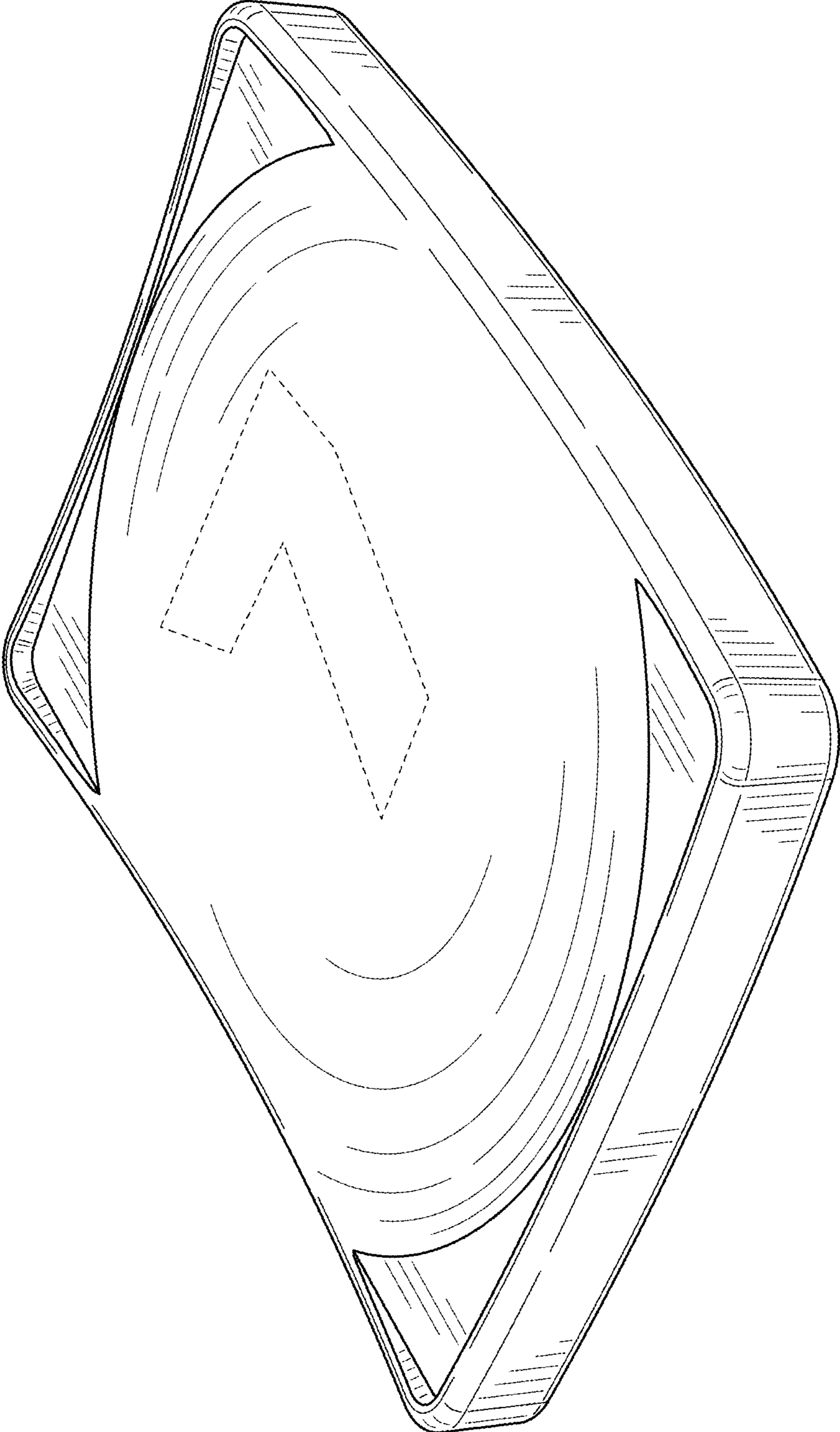


FIG. 9

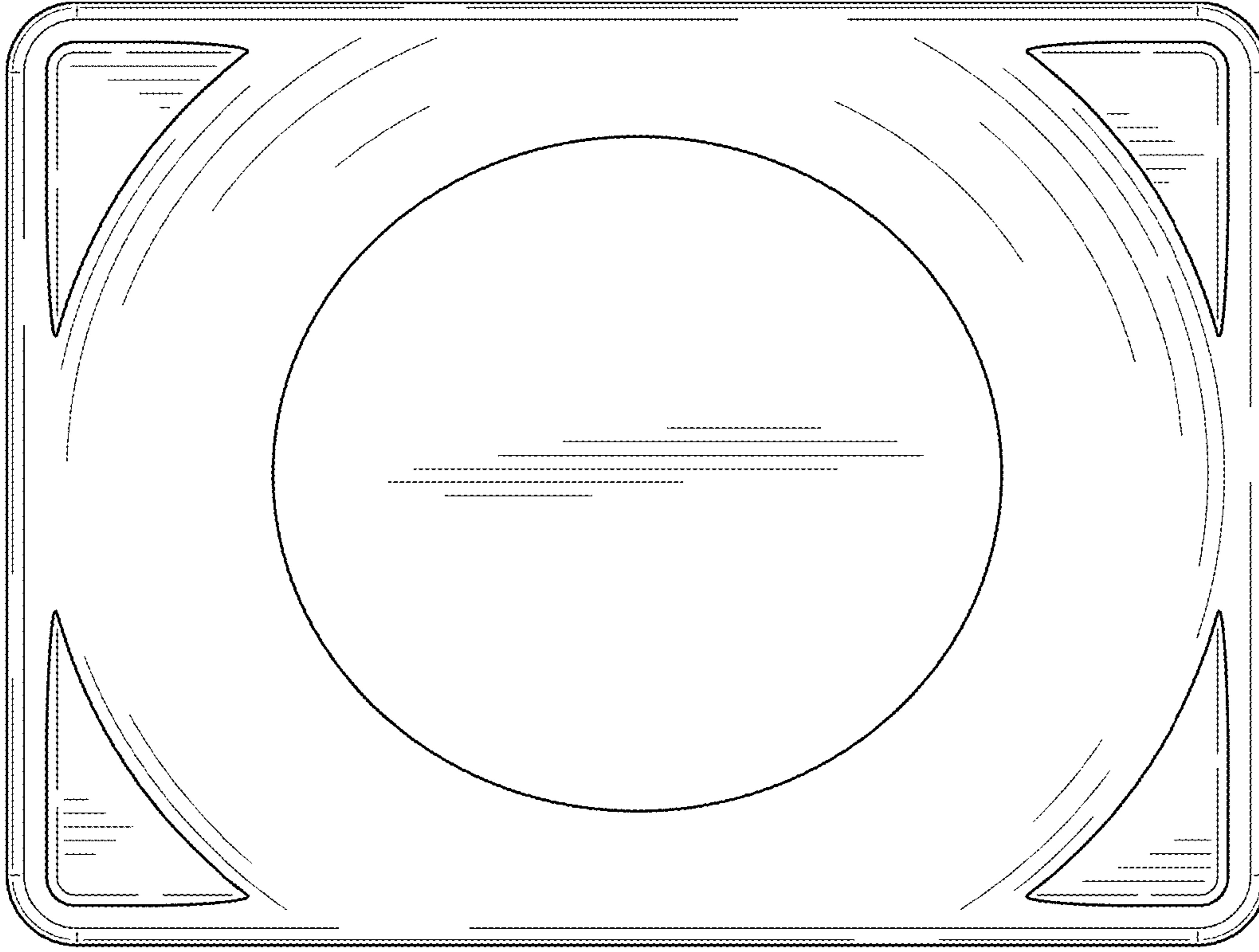


FIG. 11

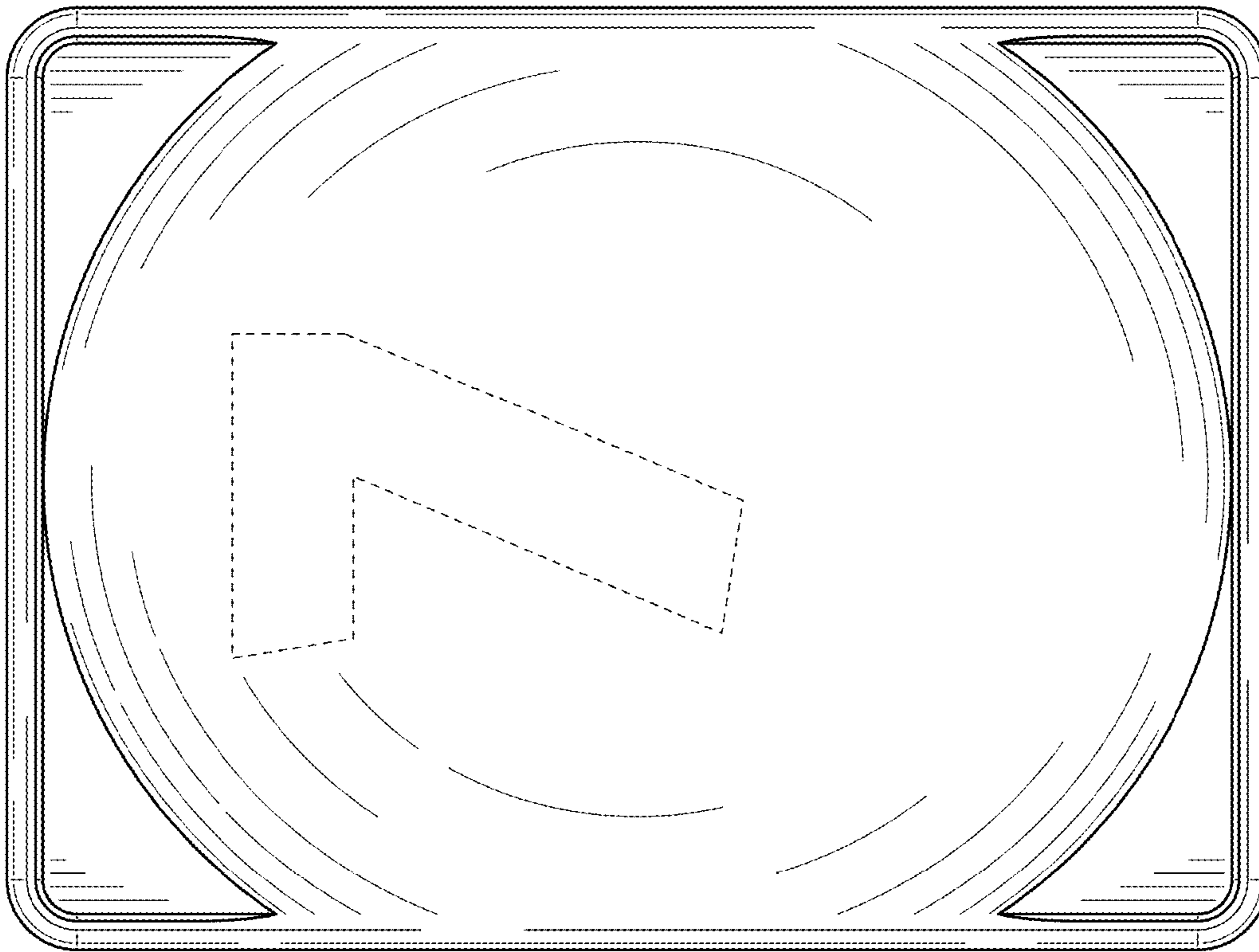


FIG. 10

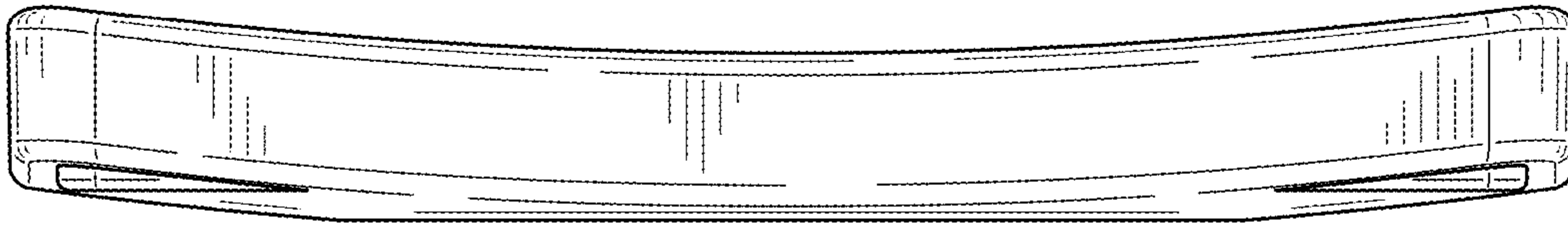


FIG. 12

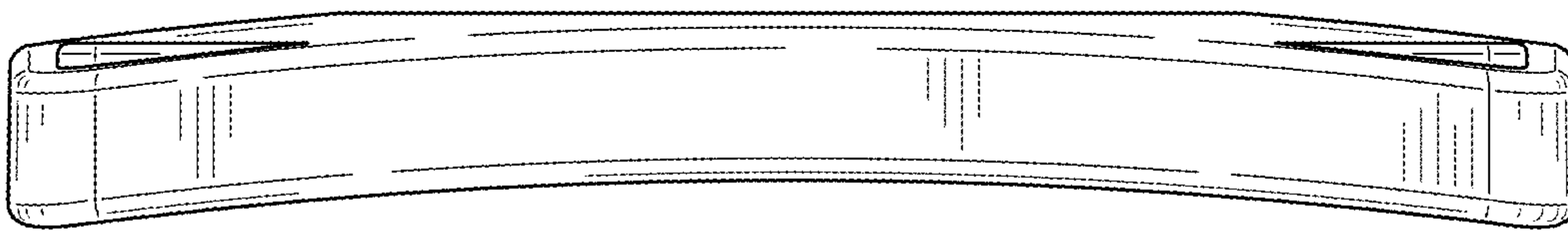


FIG. 13

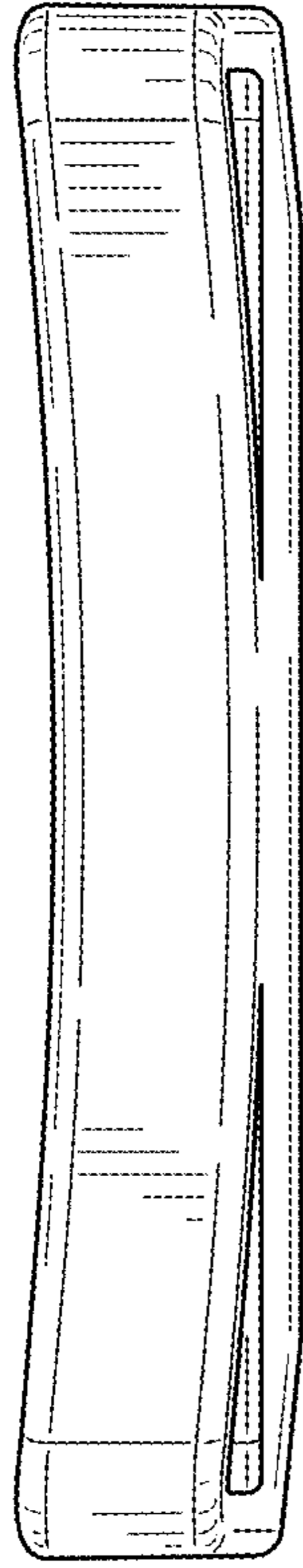


FIG. 14

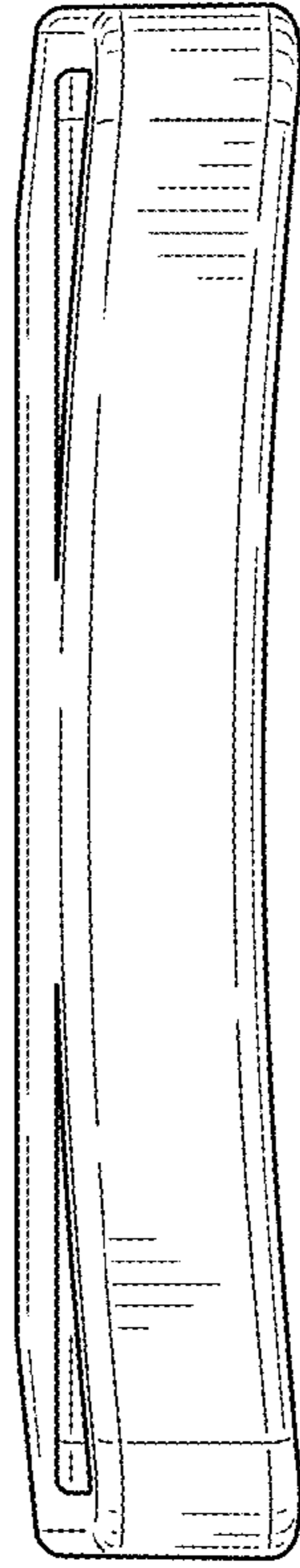


FIG. 15

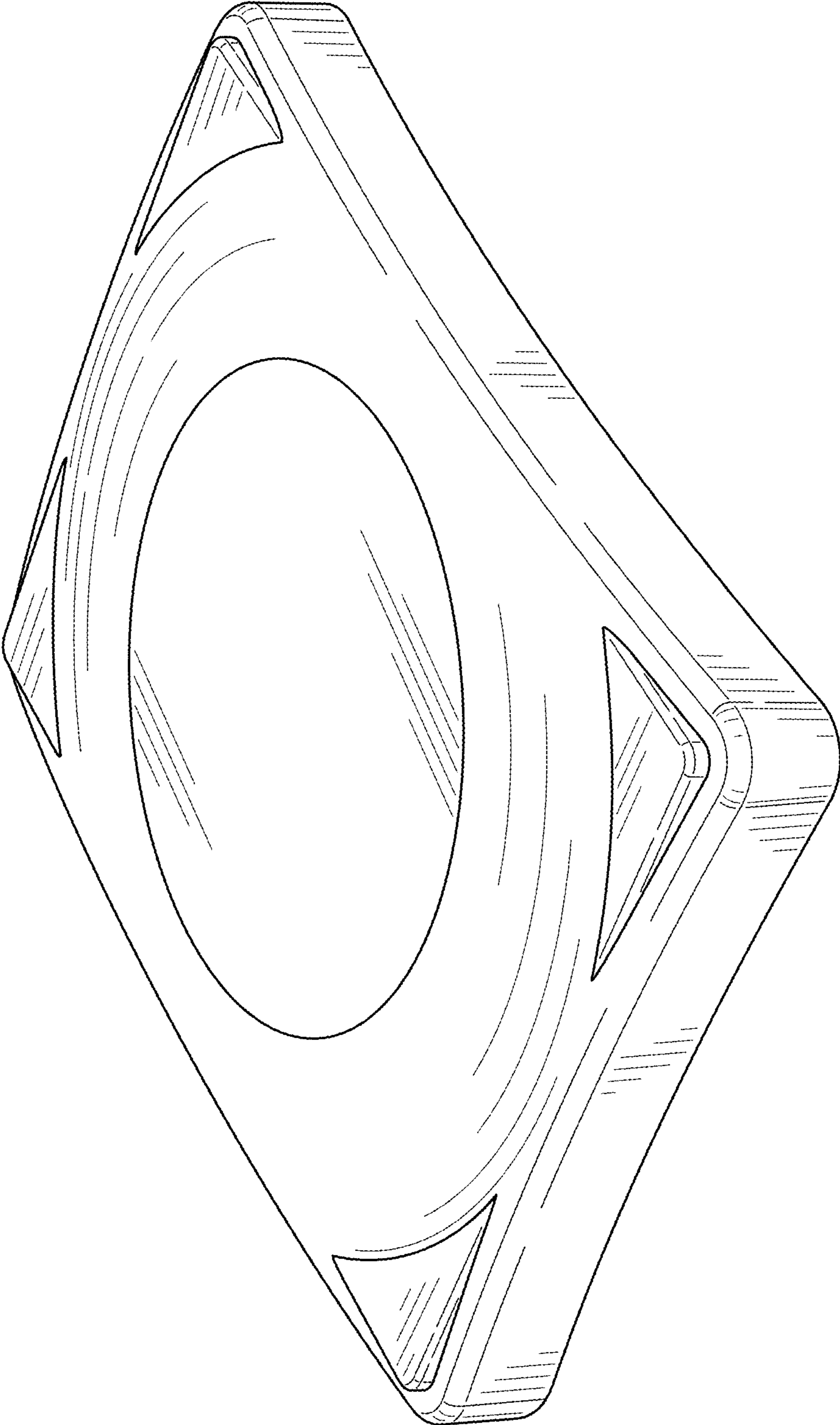


FIG. 16