



US00D772343S

(12) **United States Design Patent**
Ford

(10) **Patent No.:** **US D772,343 S**
(45) **Date of Patent:** **** Nov. 22, 2016**

(54) **SOCIAL GAME**
(71) Applicant: **STICHTING PREVENTIEVE
MERKENBESCHERMING,**
Amsterdam (NL)
(72) Inventor: **Maxwell Charles Griffin Ford,**
London (GB)

5,883,688 A * 3/1999 Chao G02C 9/00
351/47
6,719,425 B2 * 4/2004 Conner G02C 1/02
16/228
8,787,970 B2 * 7/2014 Warren 351/158
D715,363 S * 10/2014 Ford D21/385
8,911,087 B2 * 12/2014 Publicover A61B 5/162
351/200
9,344,612 B2 * 5/2016 Ritchey H04N 5/2254

(**) Term: **15 Years**

* cited by examiner

(21) Appl. No.: **35/500,069**

Primary Examiner — George D Kirschbaum

(22) Filed: **Jun. 22, 2015**

(80) **Hague Agreement Data**

Int. Filing Date: **Jun. 22, 2015**
Int. Reg. No.: **DM/086967**
Int. Reg. Date: **Jun. 22, 2015**
Int. Reg. Pub. Date: **Jul. 31, 2015**

(57) **CLAIM**

The ornamental design for for a social game, as shown and described.

(51) **LOC (10) Cl.** **21-01**

(52) **U.S. Cl.**
USPC **D21/385**

(58) **Field of Classification Search**
USPC D21/385; D16/300
CPC G02C 9/00; G02C 1/02; A61B 5/162;
H04N 5/2254

See application file for complete search history.

DESCRIPTION

- 1. Social game
- 1.1 : Perspective
- 1.2 : Front
- 1.3 : Left
- 1.4 : Top
- 1.5 : Perspective
- 1.6 Enlarged View
- 1.7 Enlarged View

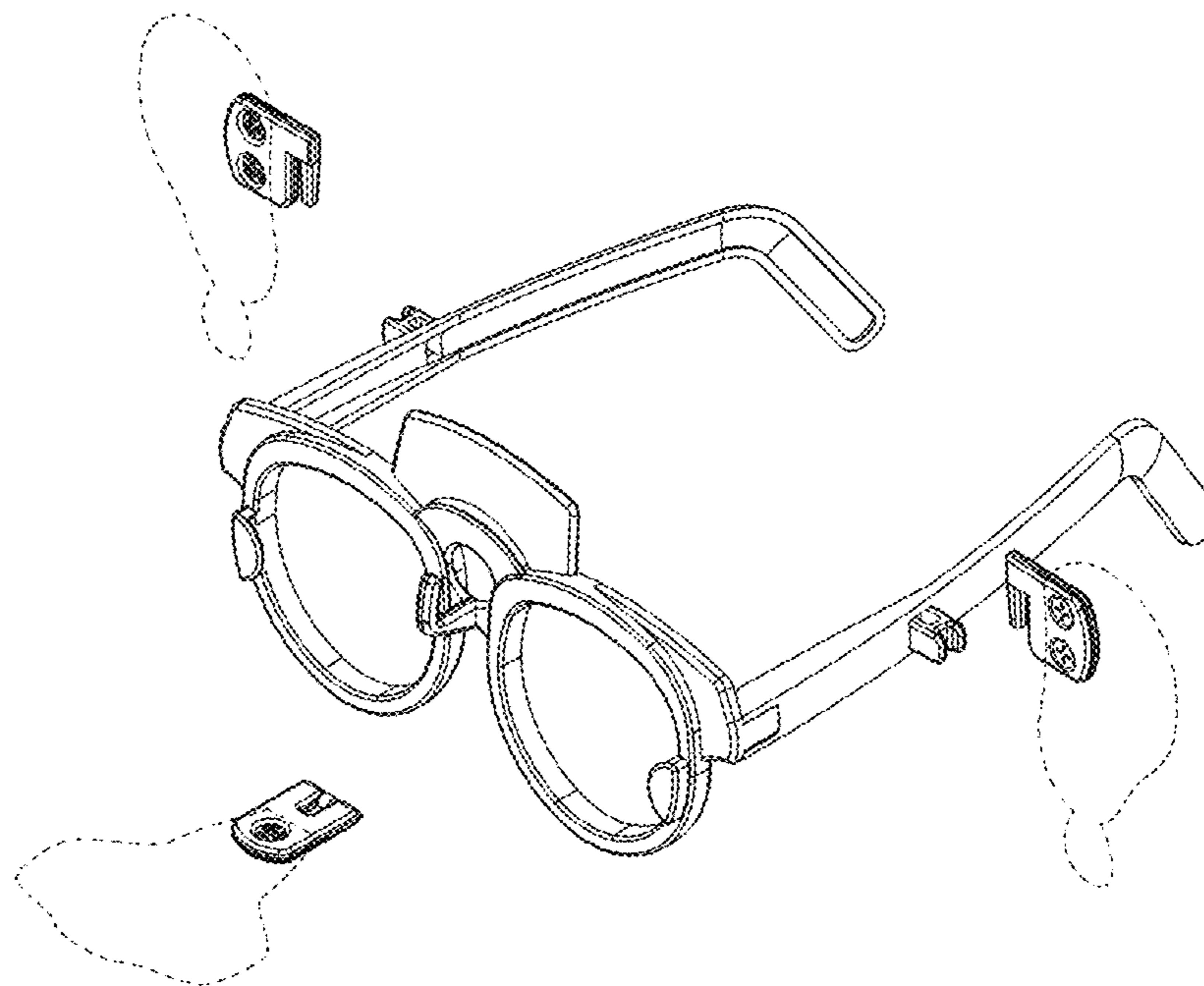
The broken lines depict unclaimed environmental subject matter.

(56) **References Cited**

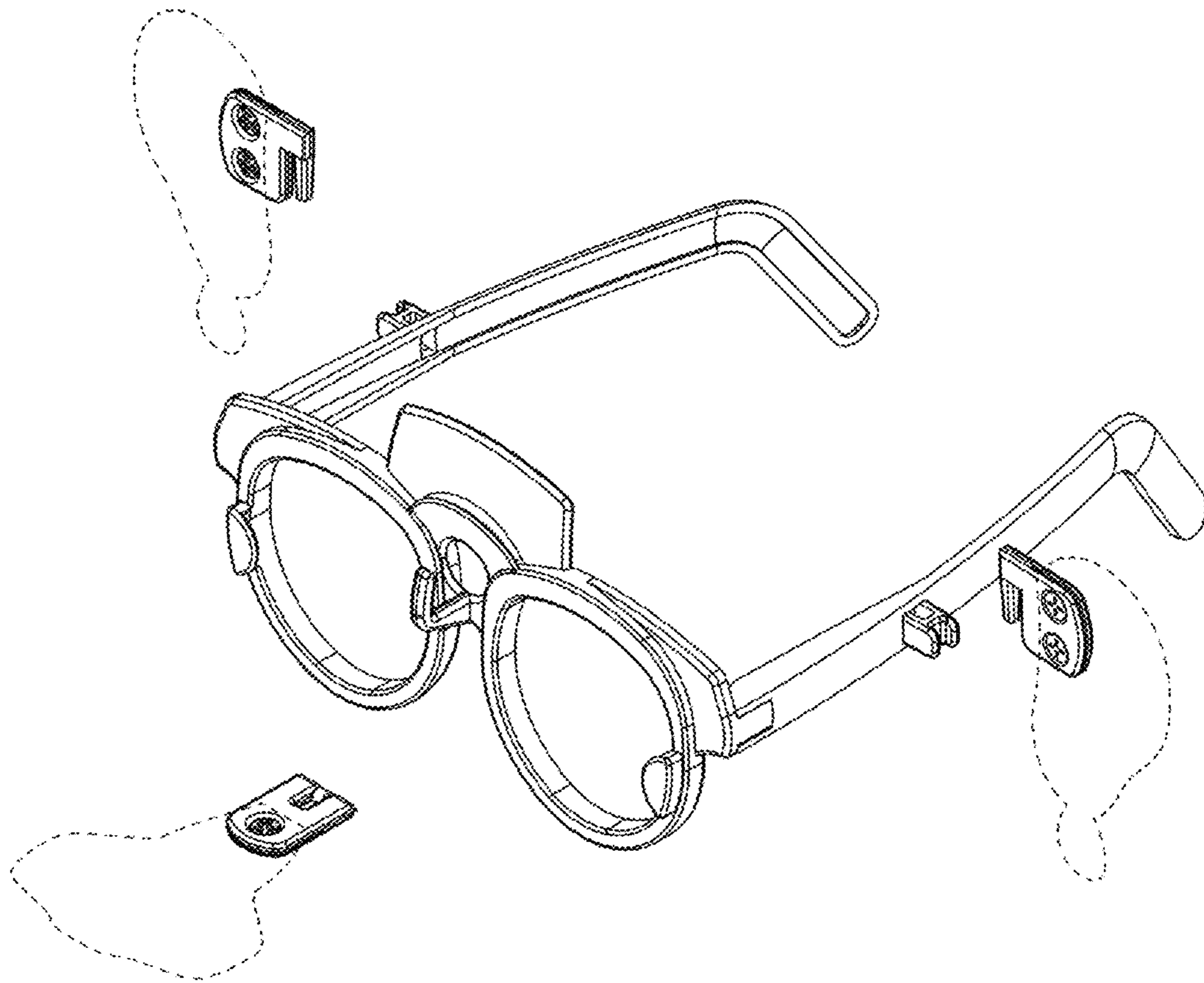
U.S. PATENT DOCUMENTS

D384,361 S * 9/1997 Karasawa D16/302
5,717,992 A * 2/1998 Tilghman A61F 9/029
2/206

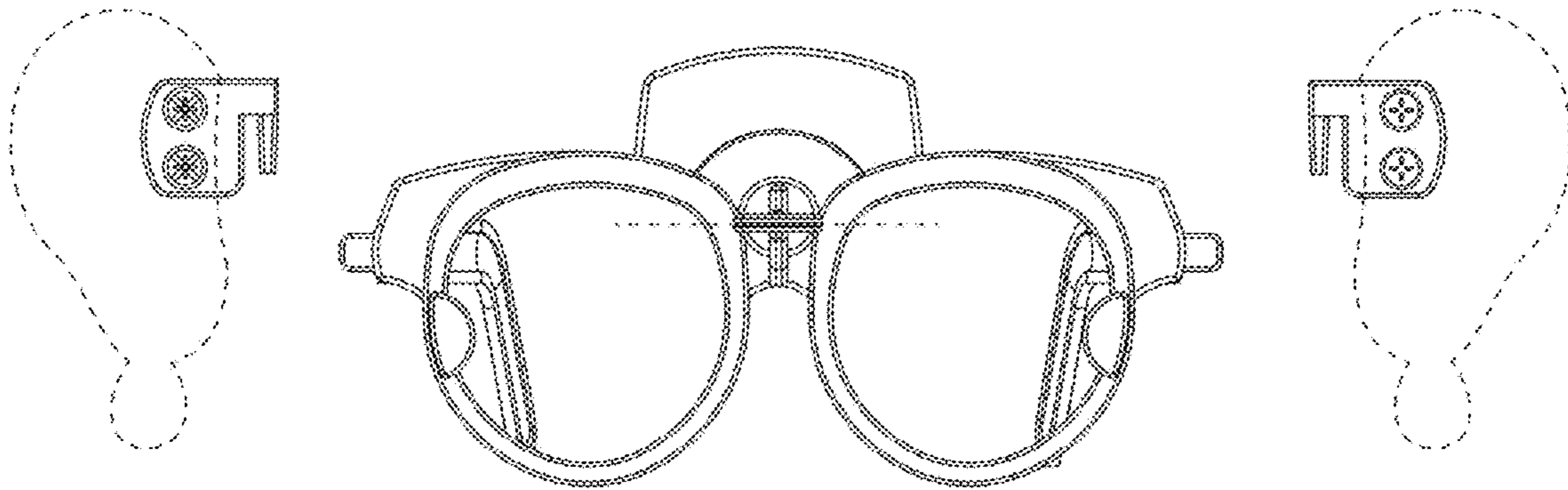
1 Claim, 7 Drawing Sheets



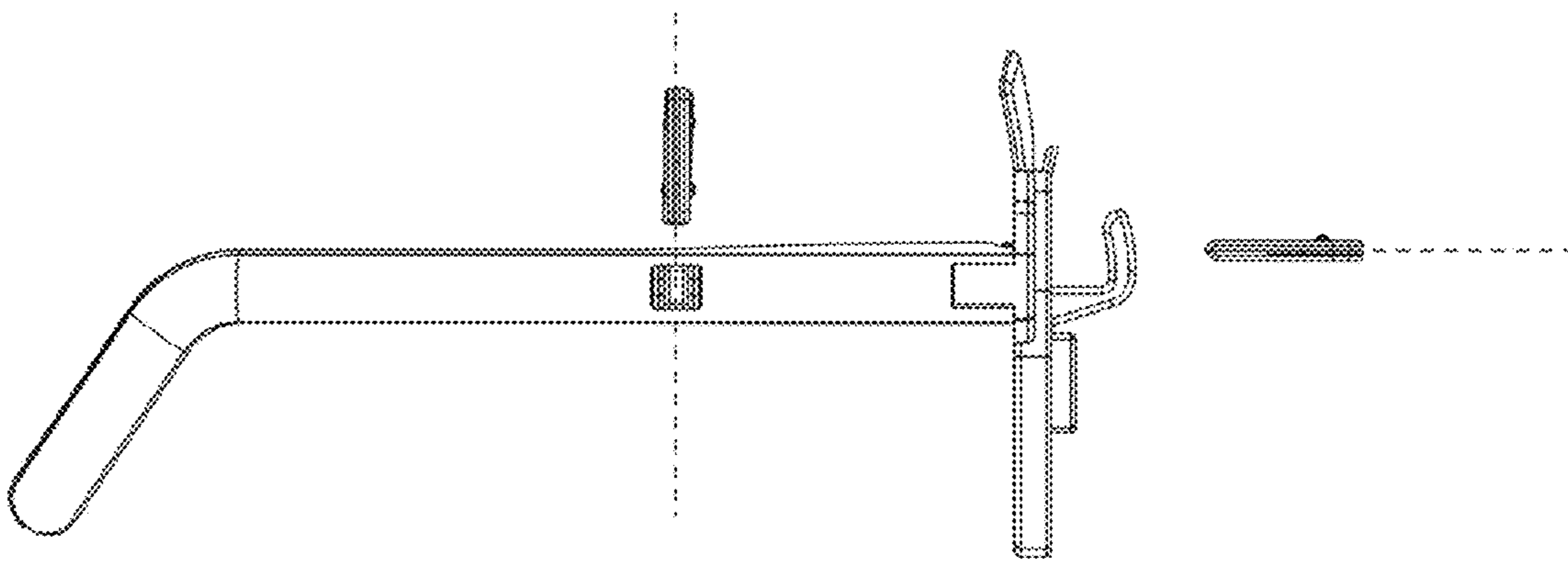
1.1



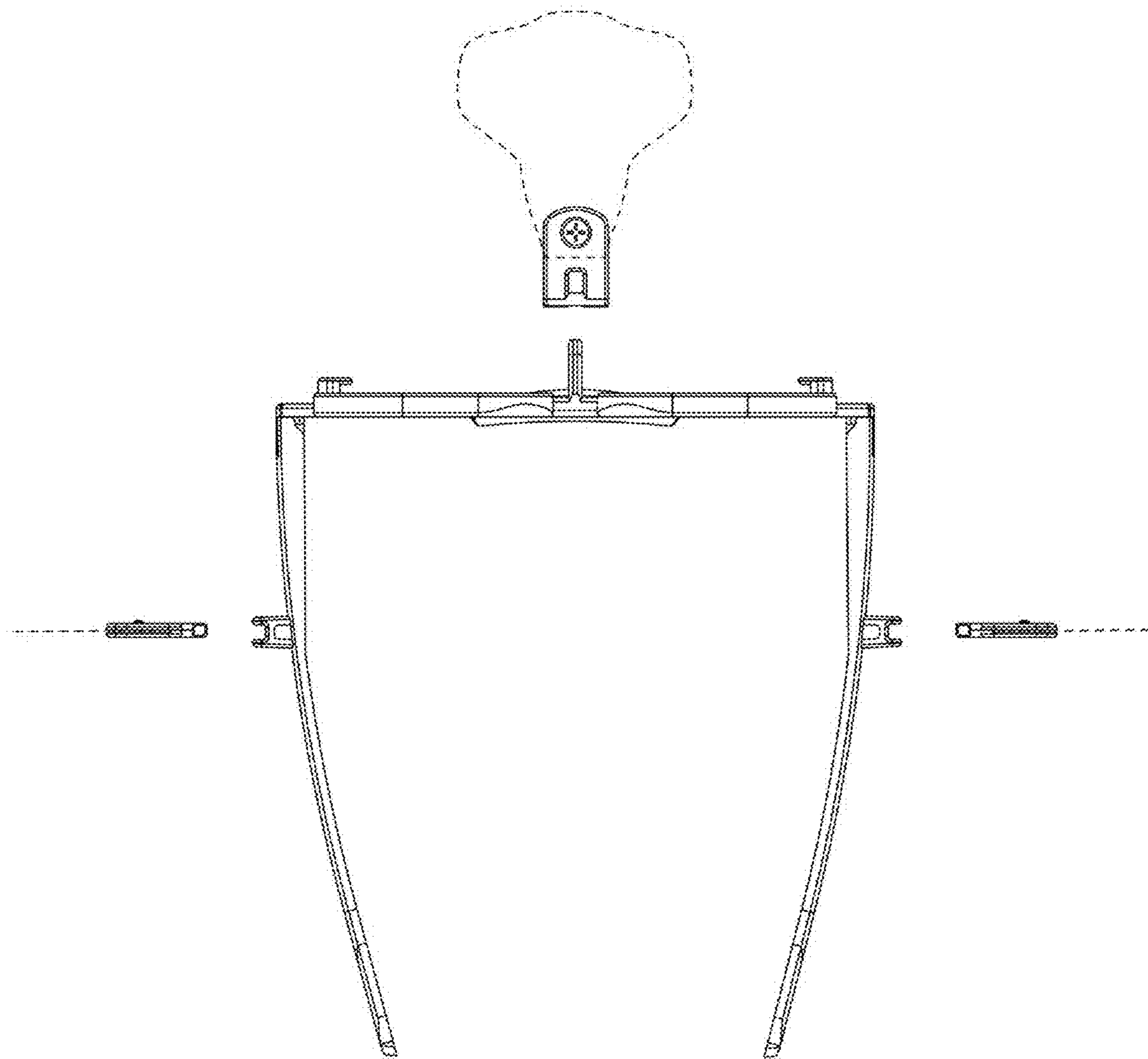
1.2



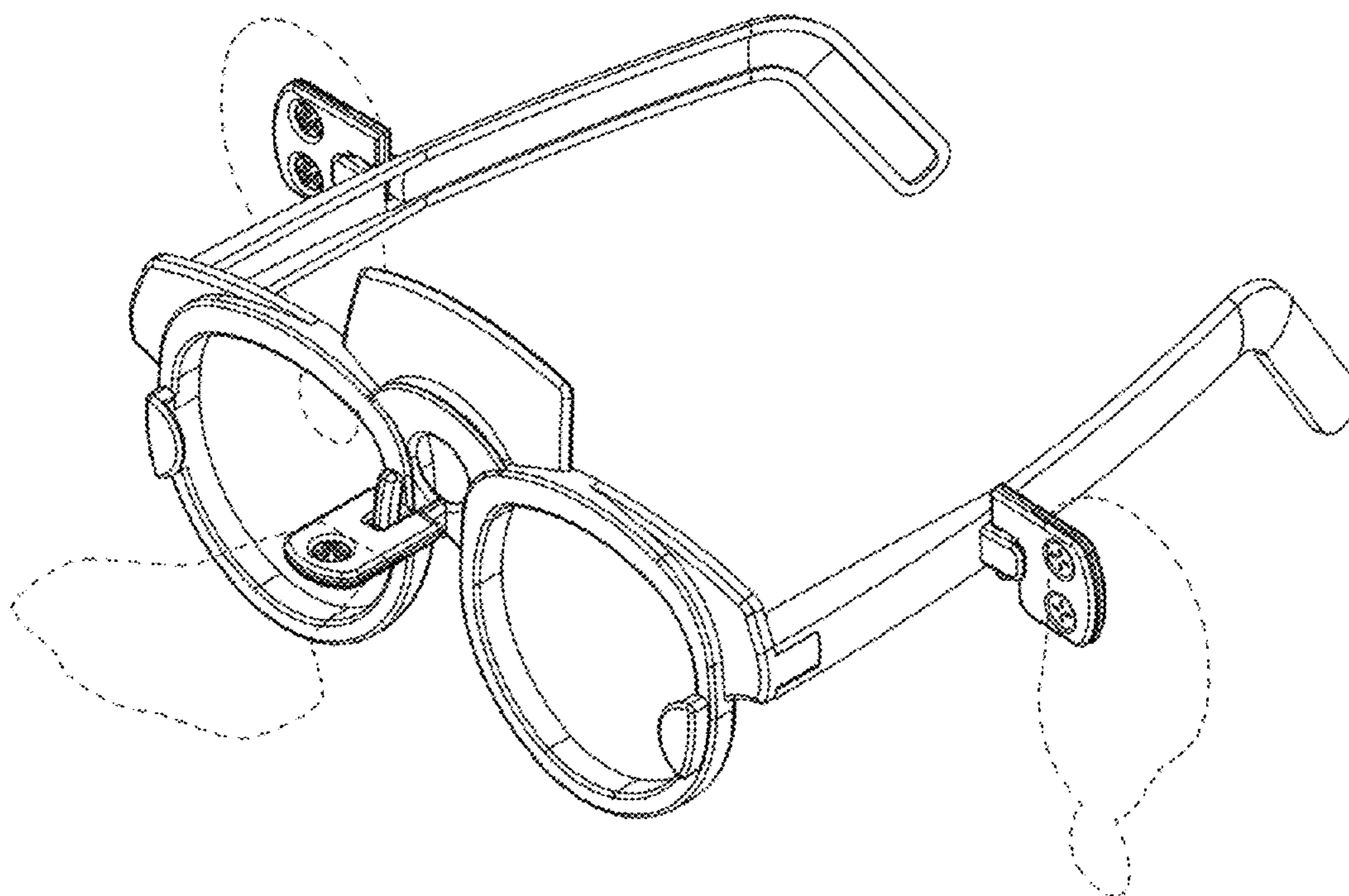
1.3



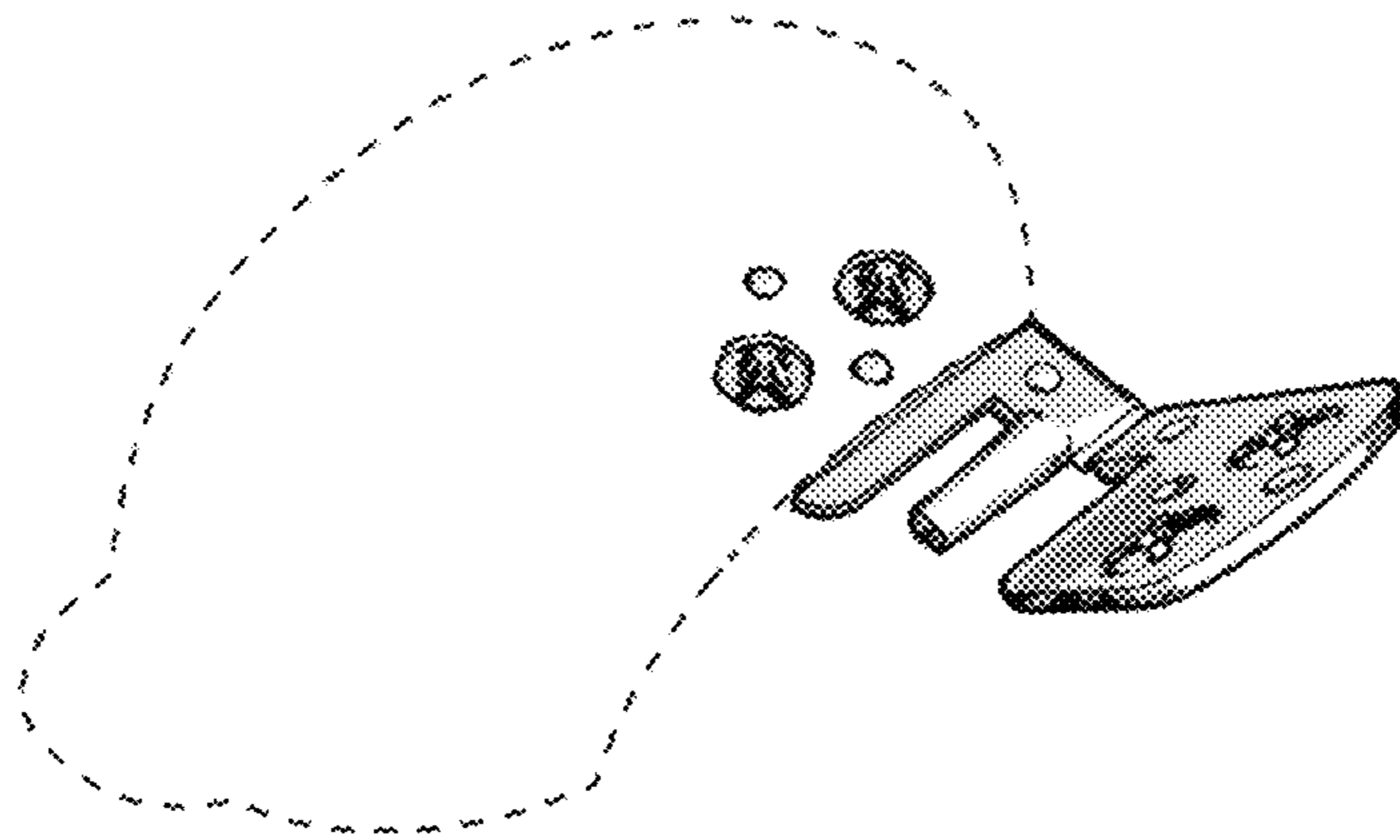
1.4



1.5



1.6



1.7

