



US00D772336S

(12) **United States Design Patent**
Fan et al.

(10) **Patent No.: US D772,336 S**

(45) **Date of Patent: ** Nov. 22, 2016**

(54) **TONER CARTRIDGE**

(71) Applicant: **PRINT-RITE • UNICORN IMAGE PRODUCTS CO., LTD. OF ZHUHAI, Zhuhai (CN)**

(72) Inventors: **Wenyi Fan, Zhuhai (CN); Wugang Tan, Zhuhai (CN)**

(73) Assignee: **PRINT-RITE • UNICORN IMAGE PRODUCTS CO., LTD. OF ZHUHAI (CN)**

(**) Term: **14 Years**

(21) Appl. No.: **29/510,144**

(22) Filed: **Nov. 25, 2014**

(30) **Foreign Application Priority Data**

Jun. 6, 2014 (CN) 2014 3 0169811

(51) **LOC (10) Cl. 16-03**

(52) **U.S. Cl.**
USPC **D18/43**

(58) **Field of Classification Search**
USPC D18/18, 40, 43, 56, 99
CPC G03G 15/0832; G03G 15/0834;
G03G 15/0836; G03G 15/0837; G03G
15/0867; G03G 15/0868; G03G 15/0872;
G03G 15/0877; G03G 15/0898; G03G 15/50;
G03G 15/5016; G03G 15/60; G03G 15/65
See application file for complete search history.

(56) **References Cited**

U.S. PATENT DOCUMENTS

| | | | |
|--------------|---------|-----------------|--------|
| D358,164 S * | 5/1995 | Hashizume | D18/40 |
| D632,731 S * | 2/2011 | Abe | D18/43 |
| D633,137 S * | 2/2011 | Chadani | D18/43 |
| D674,007 S * | 1/2013 | Ushikubo | D18/43 |
| D718,381 S * | 11/2014 | Itabashi | D18/43 |
| D750,702 S * | 3/2016 | Ooyoshi | D18/43 |

* cited by examiner

Primary Examiner — Daniel Bui

Assistant Examiner — Khawaja Anwar

(74) *Attorney, Agent, or Firm* — Lerner, David, Littenberg, Krumholz & Mentlik, LLP

(57) **CLAIM**

The ornamental design for a toner cartridge, as shown and described.

DESCRIPTION

FIG. 1 is a front elevational view of a toner cartridge showing our new design;

FIG. 2 is a bottom plan view thereof;

FIG. 3 is a top plan view thereof;

FIG. 4 is a right side view thereof;

FIG. 5 is a rear elevational view thereof;

FIG. 6 is a left side view thereof;

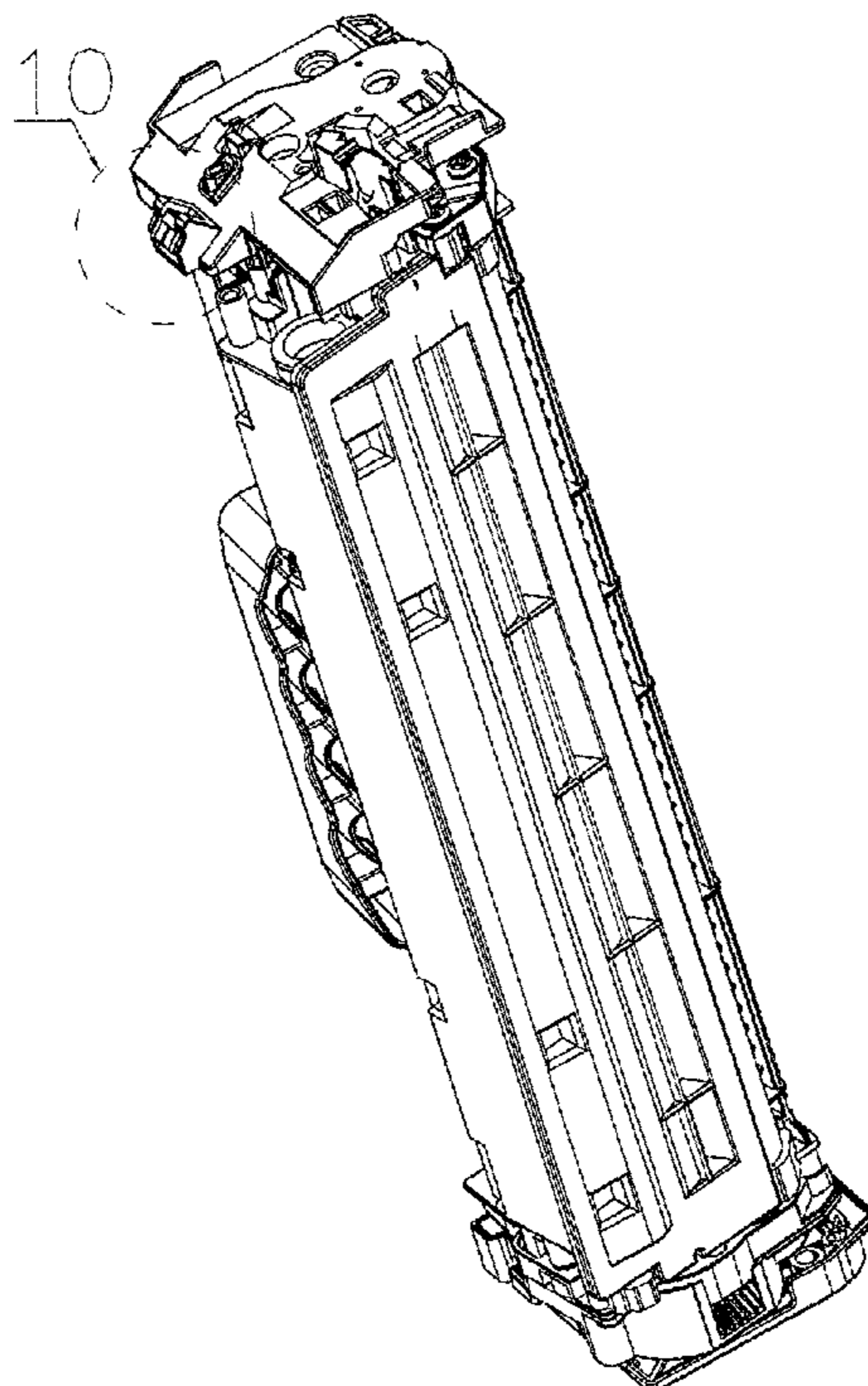
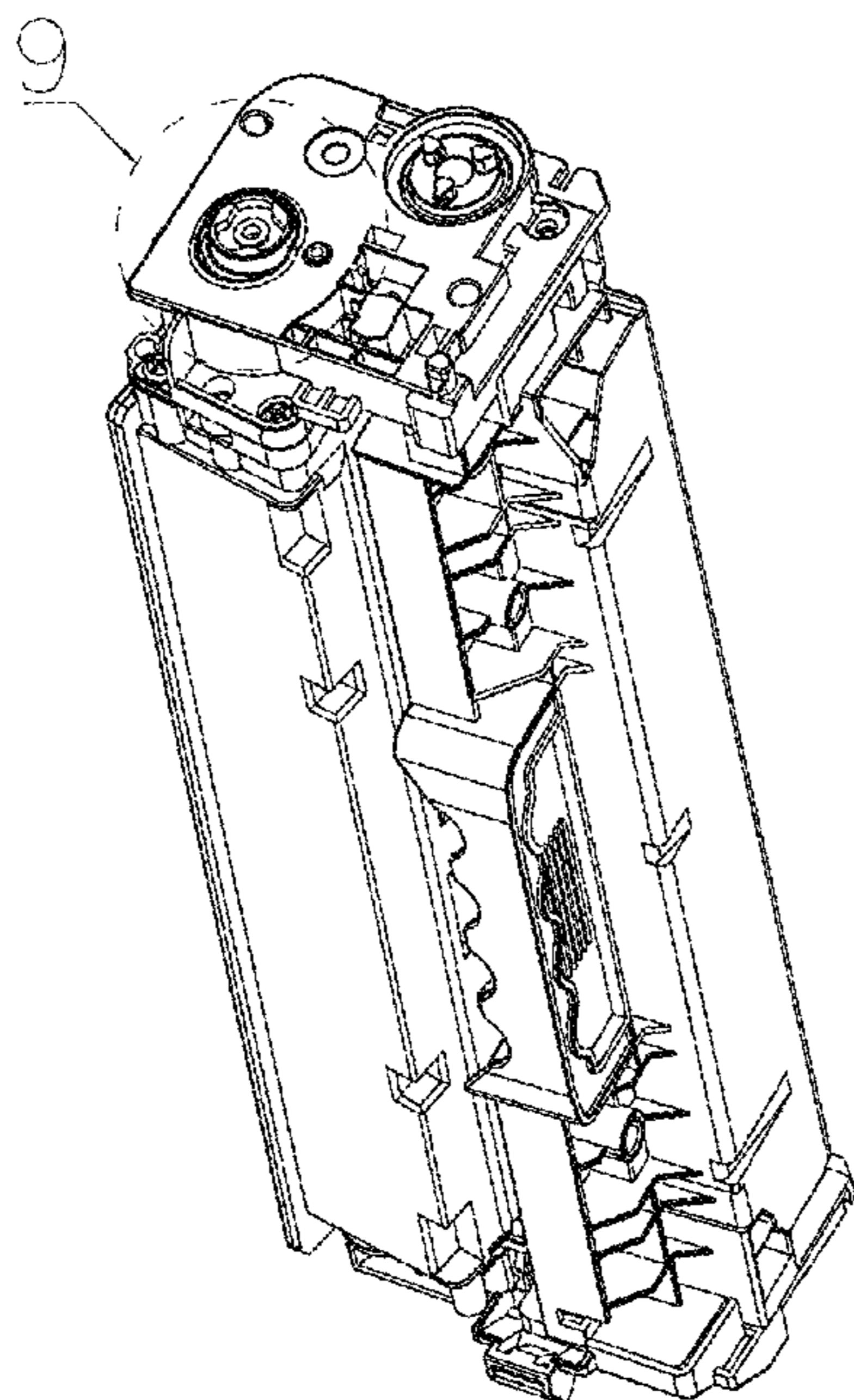
FIG. 7 is a first perspective view thereof;

FIG. 8 is a second perspective view thereof;

FIG. 9 is an enlarged perspective view taken from FIG. 7; and,

FIG. 10 is an enlarged perspective view taken from FIG. 8.

1 Claim, 9 Drawing Sheets



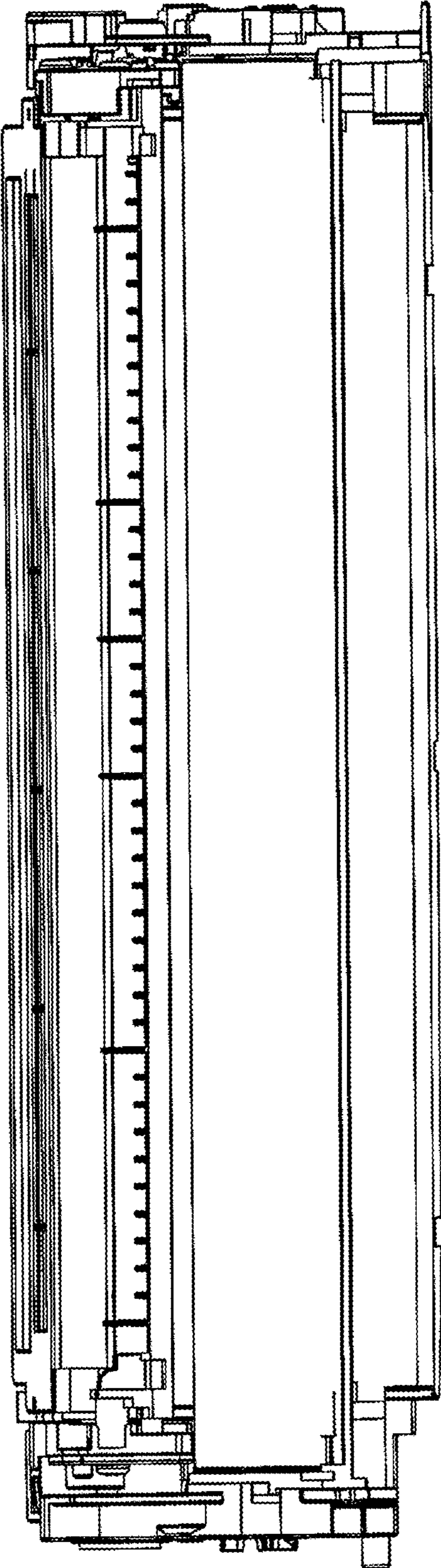


FIG. 1

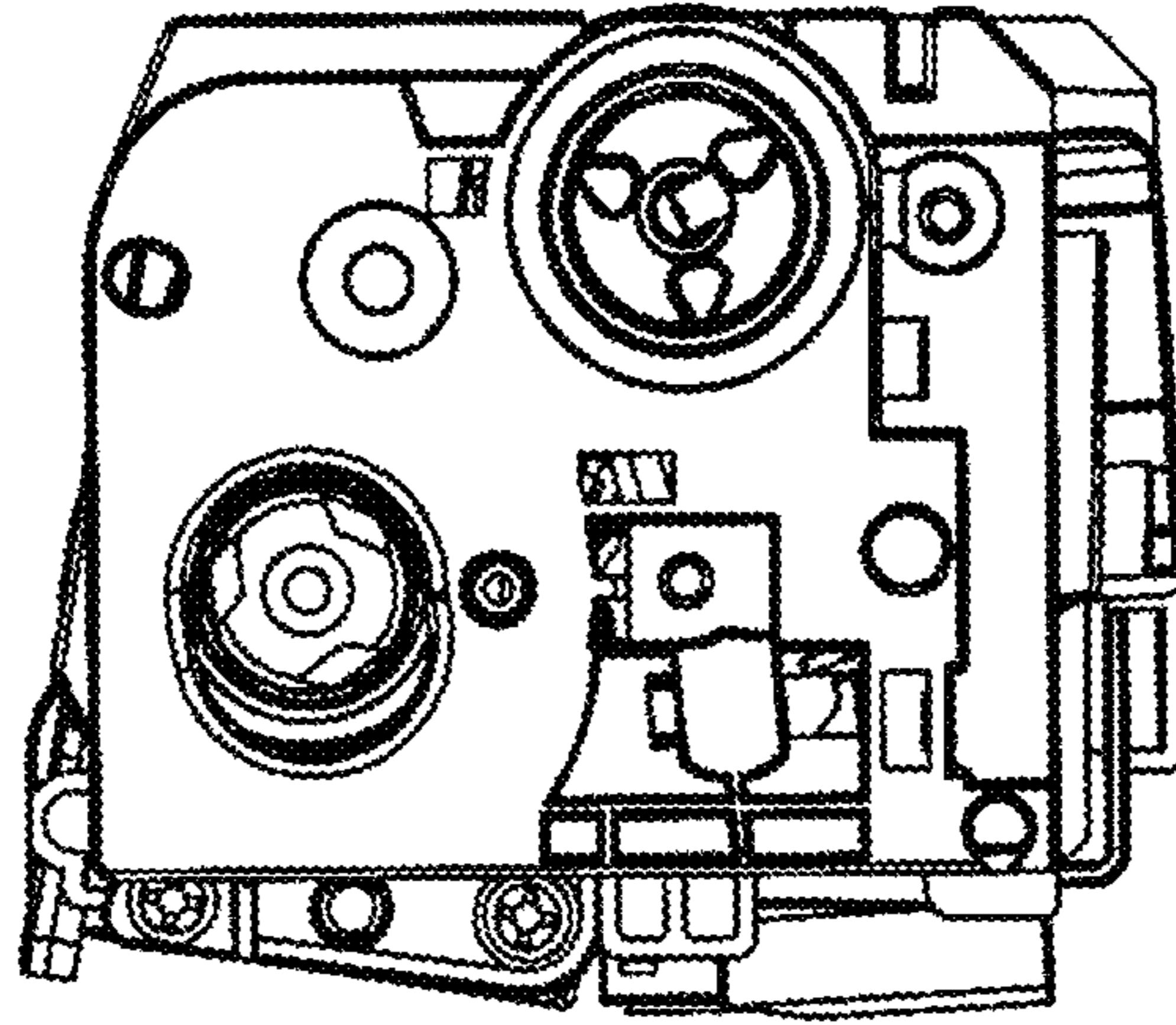


FIG. 2

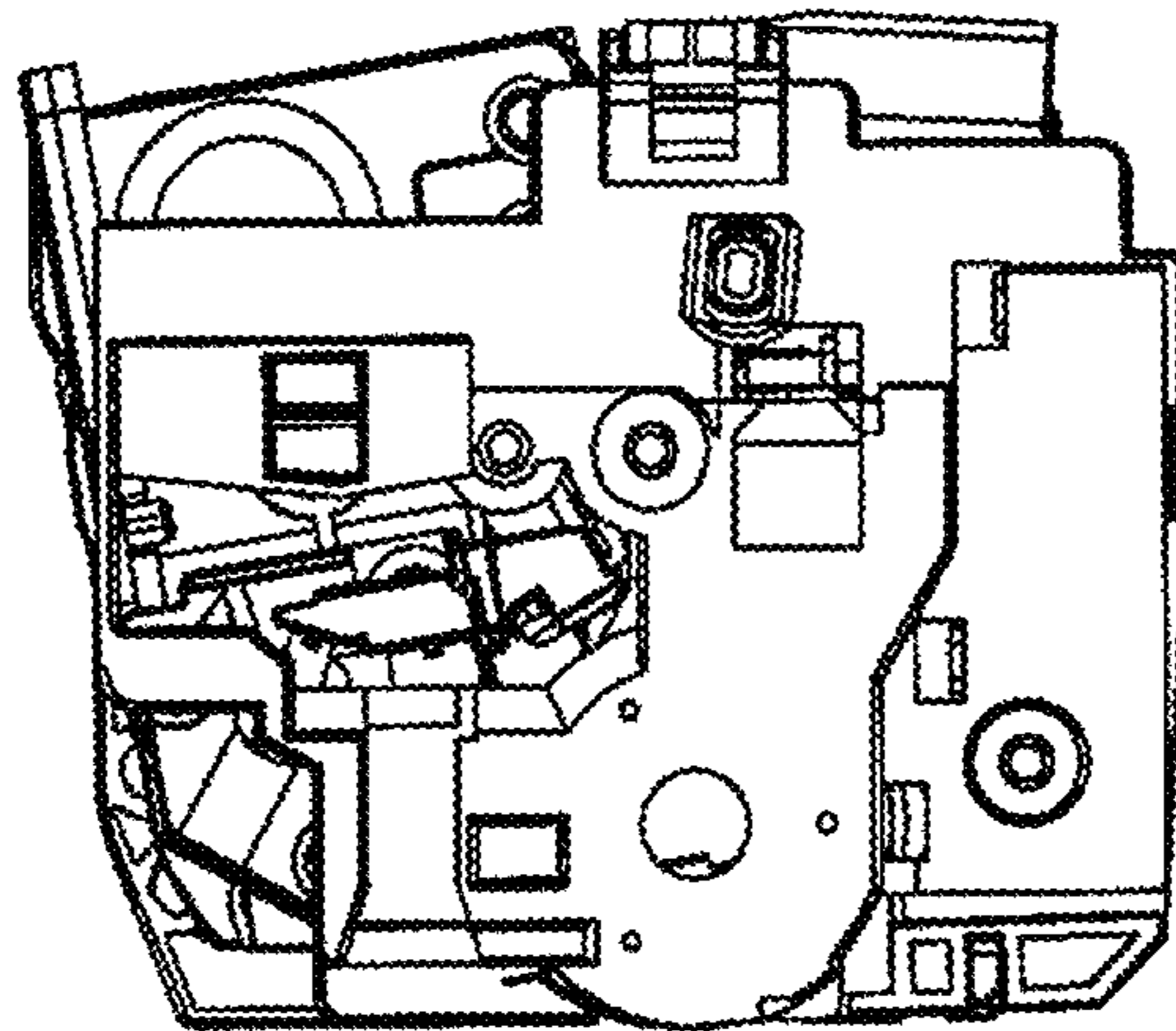


FIG. 3

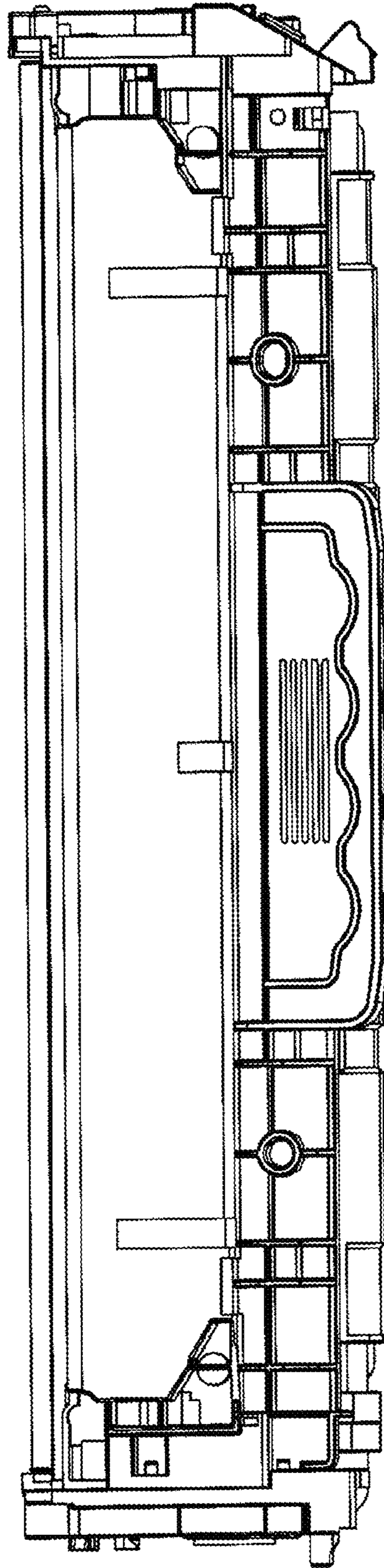


FIG. 4

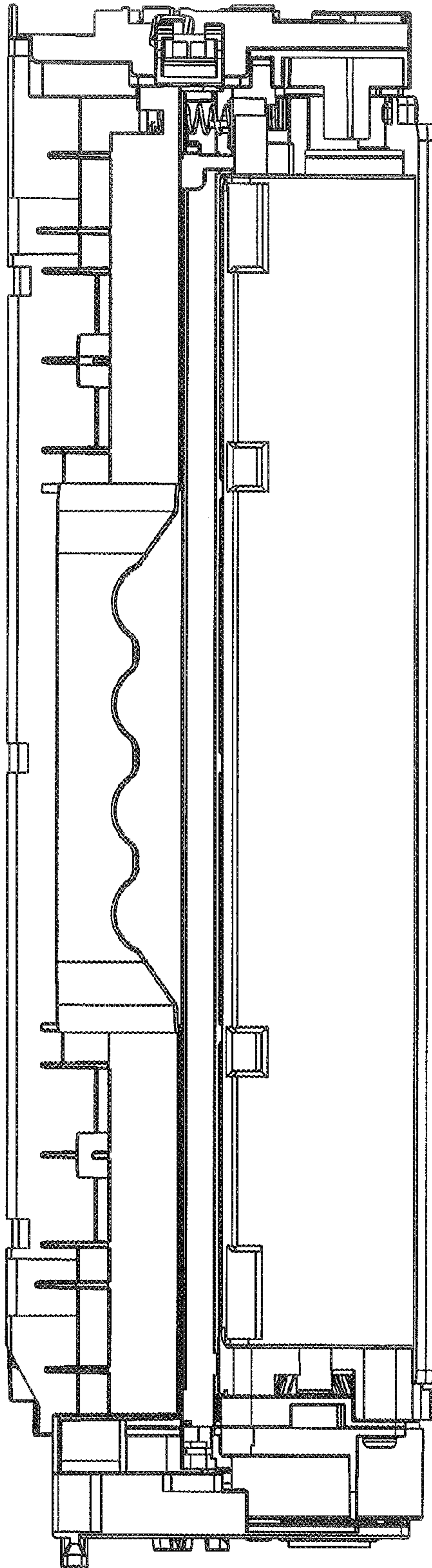


FIG. 5

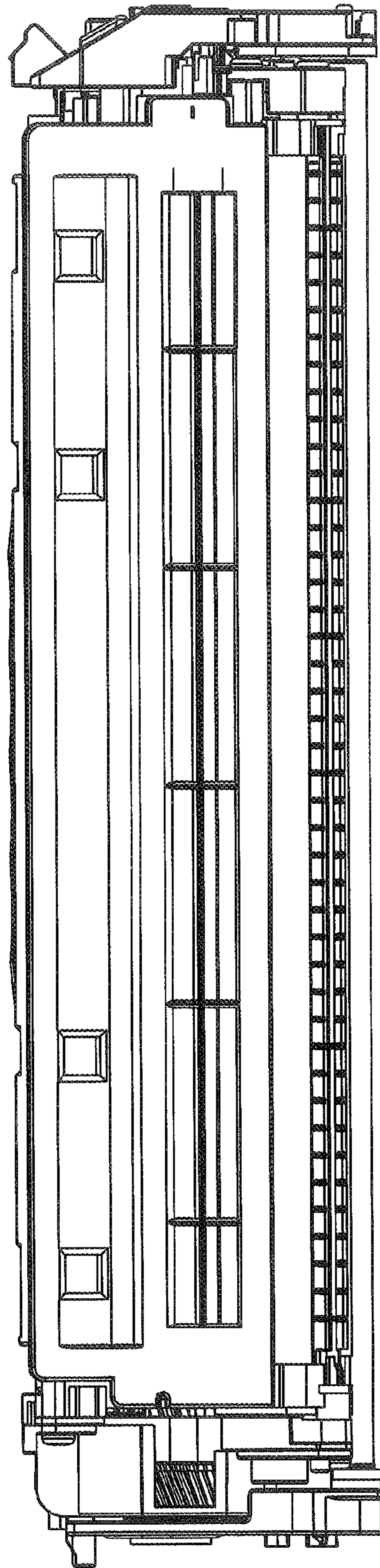


FIG. 6

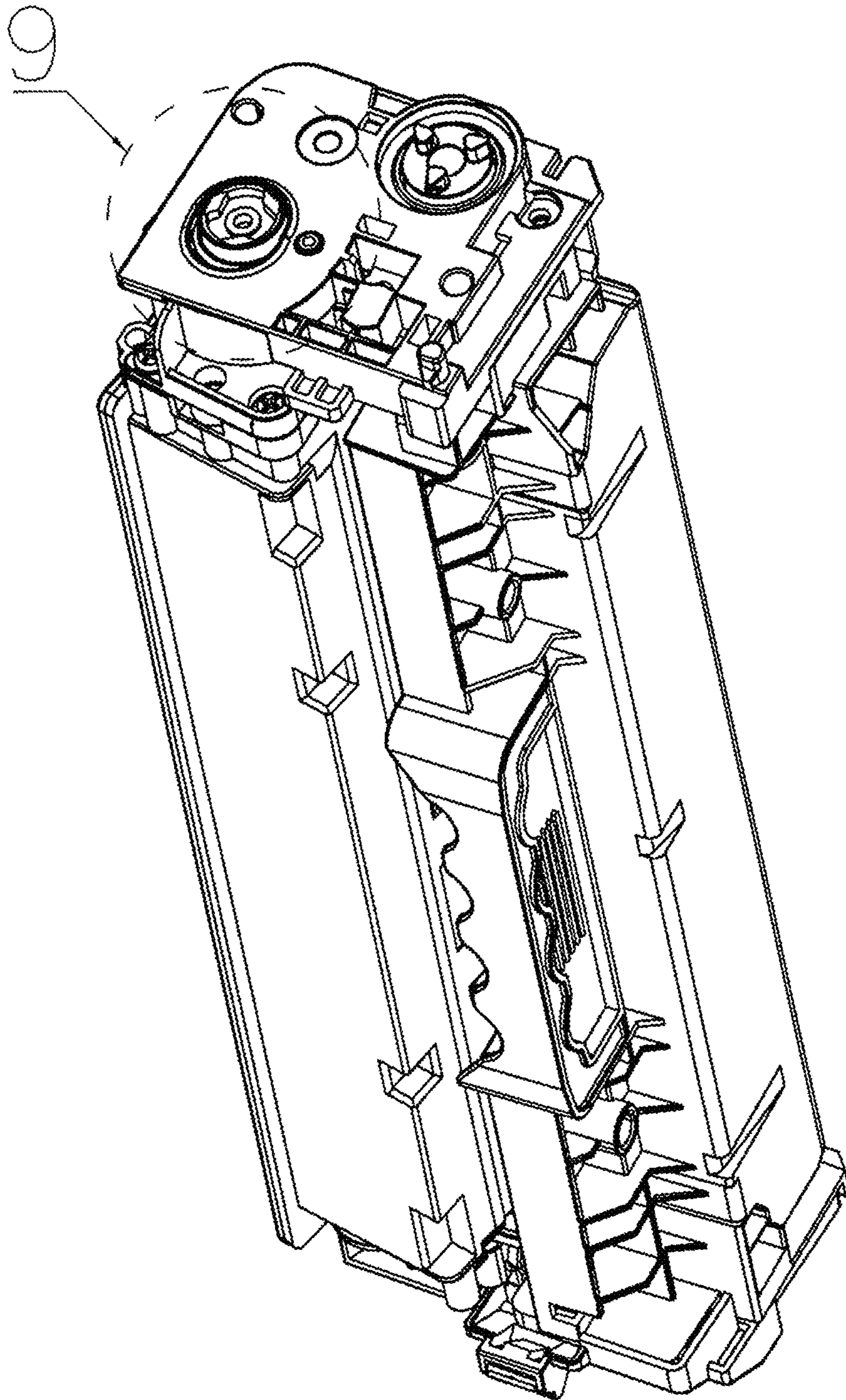


FIG. 7

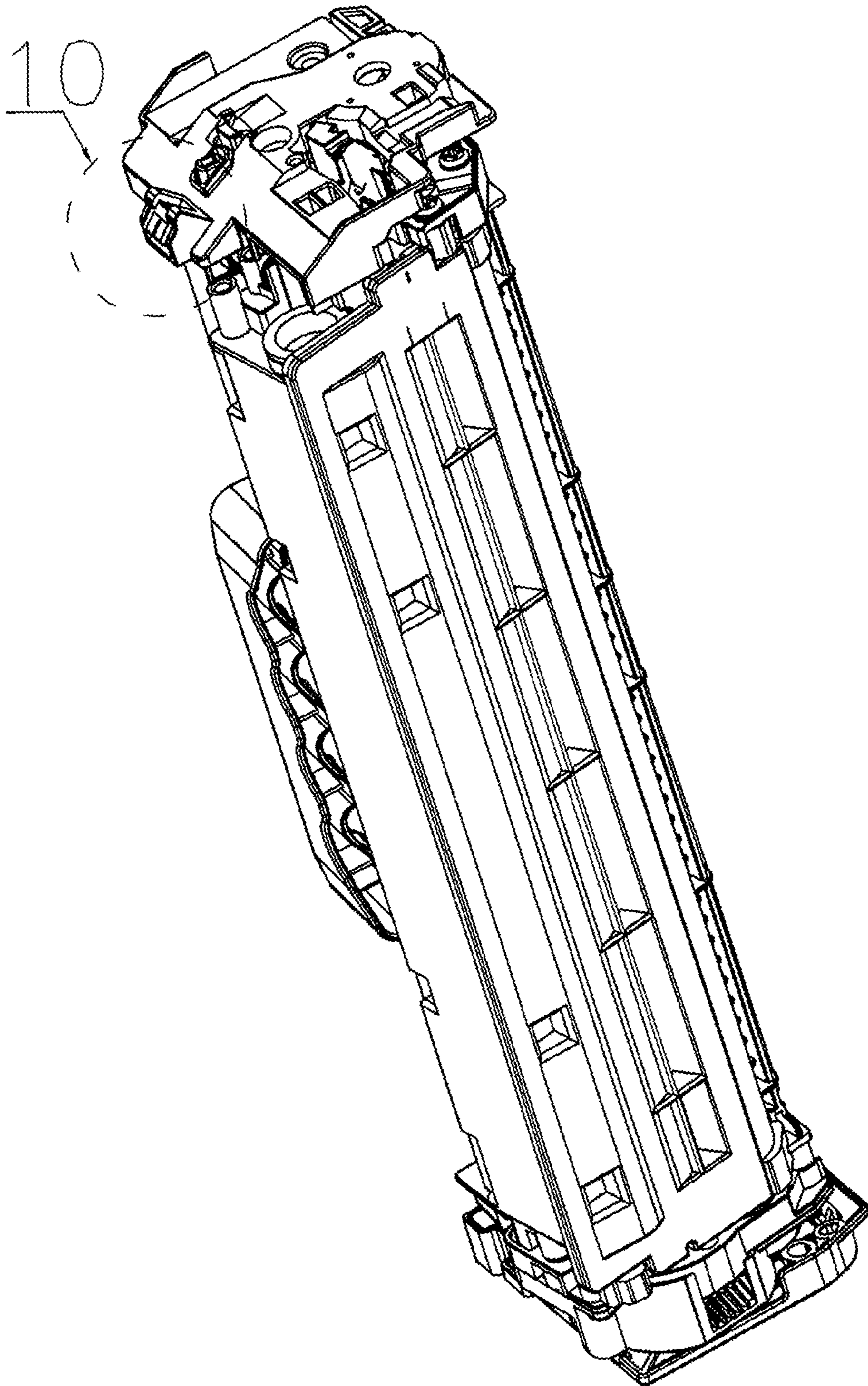


FIG. 8

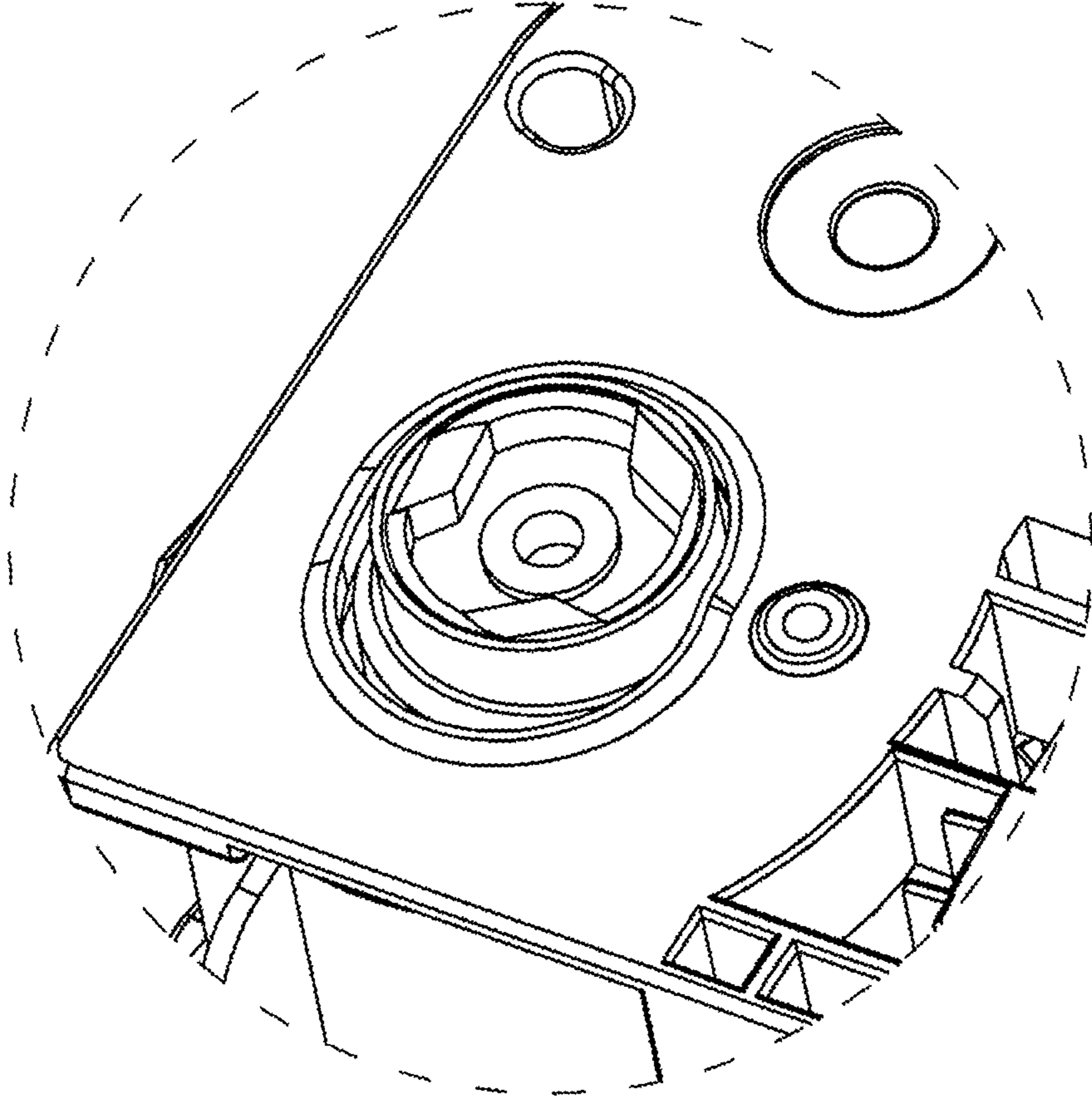


FIG. 9

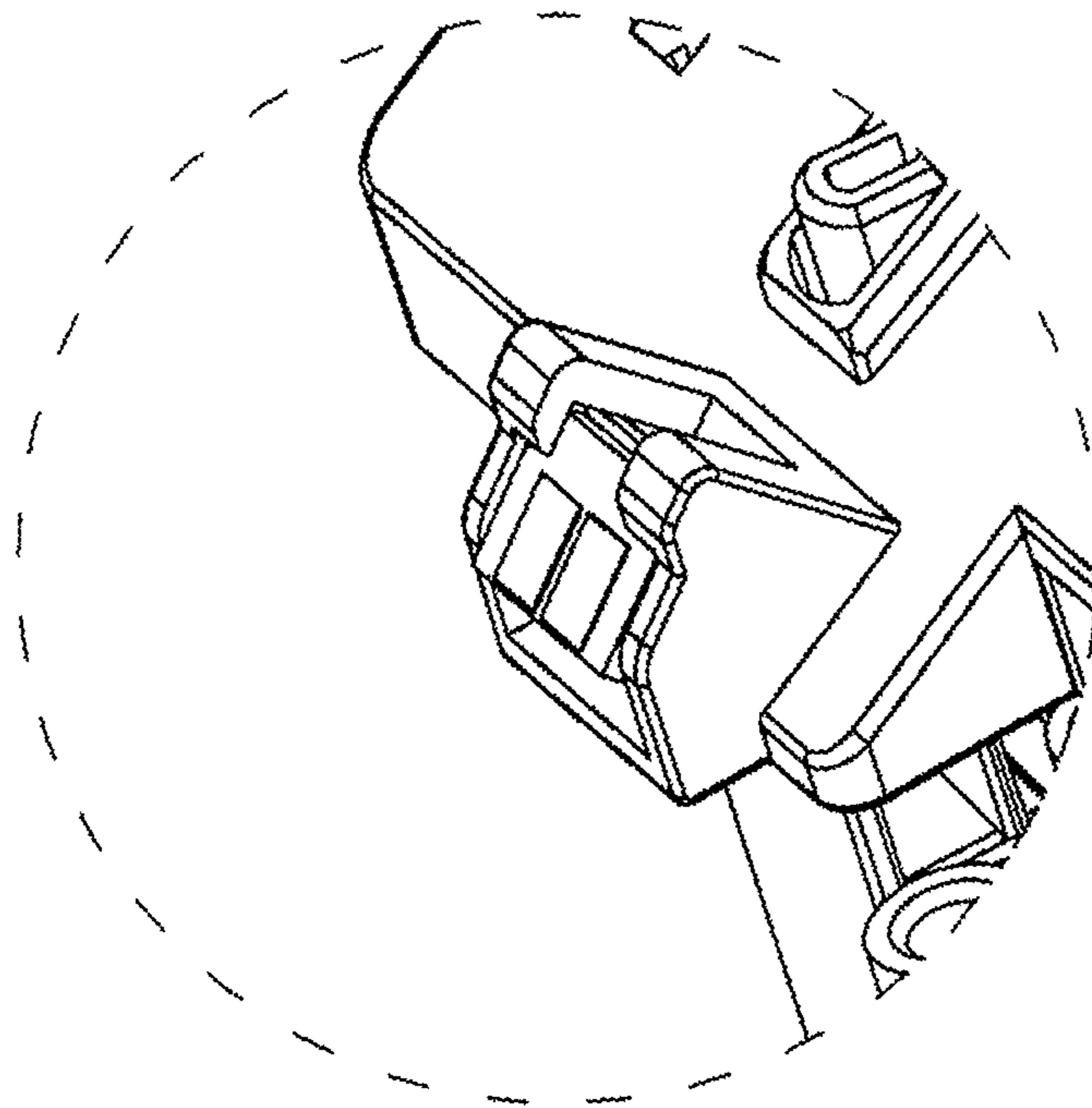


FIG. 10