



US00D772335S

(12) **United States Design Patent** (10) **Patent No.:** **US D772,335 S**
Mantrawadi et al. (45) **Date of Patent:** **** Nov. 22, 2016**

(54) **CUSTOMER POINT OF SALE TERMINAL**
(71) Applicant: **Tabletop Media LLC**, Dallas, TX (US)
(72) Inventors: **Manish Mantrawadi**, Frisco, TX (US);
Viren R. Balar, Murphy, TX (US);
Anthony R. Austin, Dallas, TX (US)
(73) Assignee: **Tabletop Media LLC**, Dallas, TX (US)
(**) Term: **15 Years**
(21) Appl. No.: **29/527,736**
(22) Filed: **May 21, 2015**

(51) **LOC (10) Cl.** **18-01**
(52) **U.S. Cl.**
USPC **D18/4.6**

(58) **Field of Classification Search**
USPC D18/4.4, 4.6, 4.1, 4.3, 4.5, 12, 12.1,
D18/12.3, 56; D14/178, 239, 307, 332, 336,
D14/337, 341, 371, 374-377, 385, 386, 420,
D14/421, 448, 451, 452; D20/10, 41, 99;
D99/28, 34, 35, 36, 37, 43, 99; 705/16
CPC G07F 7/08; G07F 7/0873; G07F 7/088;
G07F 7/0886; G07F 7/0893; G07F 19/00;
G07G 1/12; G07G 1/00; G07G 1/0018;
G07G 1/01; G06Q 20/20; G06K 7/083;
G06K 2014/0067
See application file for complete search history.

(56) **References Cited**

U.S. PATENT DOCUMENTS

4,438,458 A * 3/1984 Munscher G06F 1/1601
248/184.1
D411,517 S * 6/1999 Lin D14/336
6,053,411 A * 4/2000 Nugent, Jr. G07G 1/0018
235/462.43
D438,862 S * 3/2001 Brandenburg D14/336

D474,228 S * 5/2003 Katou D18/4.3
D638,012 S * 5/2011 Tian D14/341
D687,832 S * 8/2013 Edwards D14/447
D691,141 S * 10/2013 Cruz D14/307
D706,864 S * 6/2014 Branck D18/4.6
D707,288 S * 6/2014 Branck D18/4.6
D707,685 S * 6/2014 Johnson D14/447
D713,447 S * 9/2014 Balar D18/4.6
D720,000 S * 12/2014 Lyons D18/4.5
D725,182 S * 3/2015 Haller D18/11
D725,699 S * 3/2015 Eun D18/4.4
D726,182 S * 4/2015 Durham D14/385
D741,853 S * 10/2015 Barron D14/336
D744,479 S * 12/2015 Haller D14/336
D746,292 S * 12/2015 Heckler D14/447
D746,902 S * 1/2016 Lyons D18/4.5

(Continued)

Primary Examiner — Susan Bennett Hattan
Assistant Examiner — Marie Fast Horse

(57) **CLAIM**

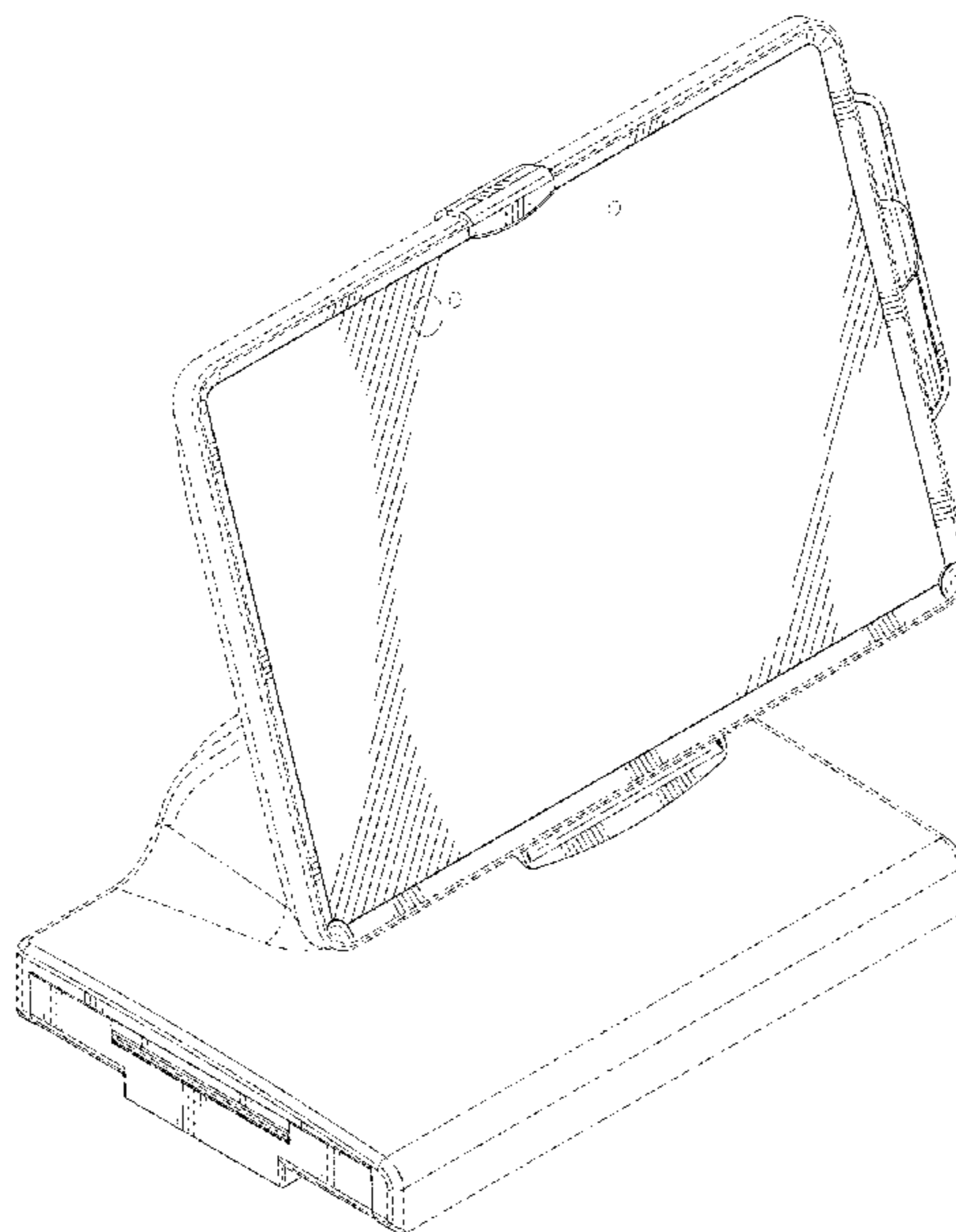
The ornamental design for a customer point of sale terminal, as shown and described.

DESCRIPTION

FIG. 1 is a perspective view of the front, left, and top of a customer point of sale terminal according to the new design. FIG. 2 is a front view of the user terminal. FIG. 3 is a rear view of the user terminal. FIG. 4 is a right side view of the user terminal. FIG. 5 is a left side view of the user terminal. FIG. 6 is a top side view of the user terminal. FIG. 7 is a bottom side view of the user terminal; and, FIG. 8 is a perspective view of the front, right, and bottom of a user terminal according to the new design.

The article in which the design is embodied is a user terminal for conducting point-of-sale (POS) transactions in a retail environment.

1 Claim, 8 Drawing Sheets



(56)

References Cited

U.S. PATENT DOCUMENTS

D747,763 S *	1/2016	Haller	D18/4.5	2015/0134441 A1*	5/2015	Balar	G06Q 30/0601
2006/0065724 A1*	3/2006	Lum	F16M 11/00					705/14.38
				235/383	2015/0193753 A1*	7/2015	Lam	G06F 11/30
2010/0021020 A1*	1/2010	Ueda	G06Q 20/341					705/16
				382/118	2015/0199668 A1*	7/2015	Fernando	G06Q 30/0268
2014/0139866 A1*	5/2014	Balar	B41J 3/36					705/14.65
				358/1.15	2016/0070964 A1*	3/2016	Conrad	G07G 1/0018
2014/0144988 A1*	5/2014	Chiang	G07G 1/0018					348/150
				235/449	2016/0092965 A1*	3/2016	Balar	G06Q 30/0633
2014/0192795 A1*	7/2014	Balar	H04L 12/12					705/15
				370/338	2016/0120050 A1*	4/2016	Chen	F16M 11/02
2014/0236744 A1*	8/2014	Drew	F16M 11/045					361/679.01
				705/17	2016/0133103 A1*	5/2016	Kanomata	G07G 1/0018
									705/16

* cited by examiner

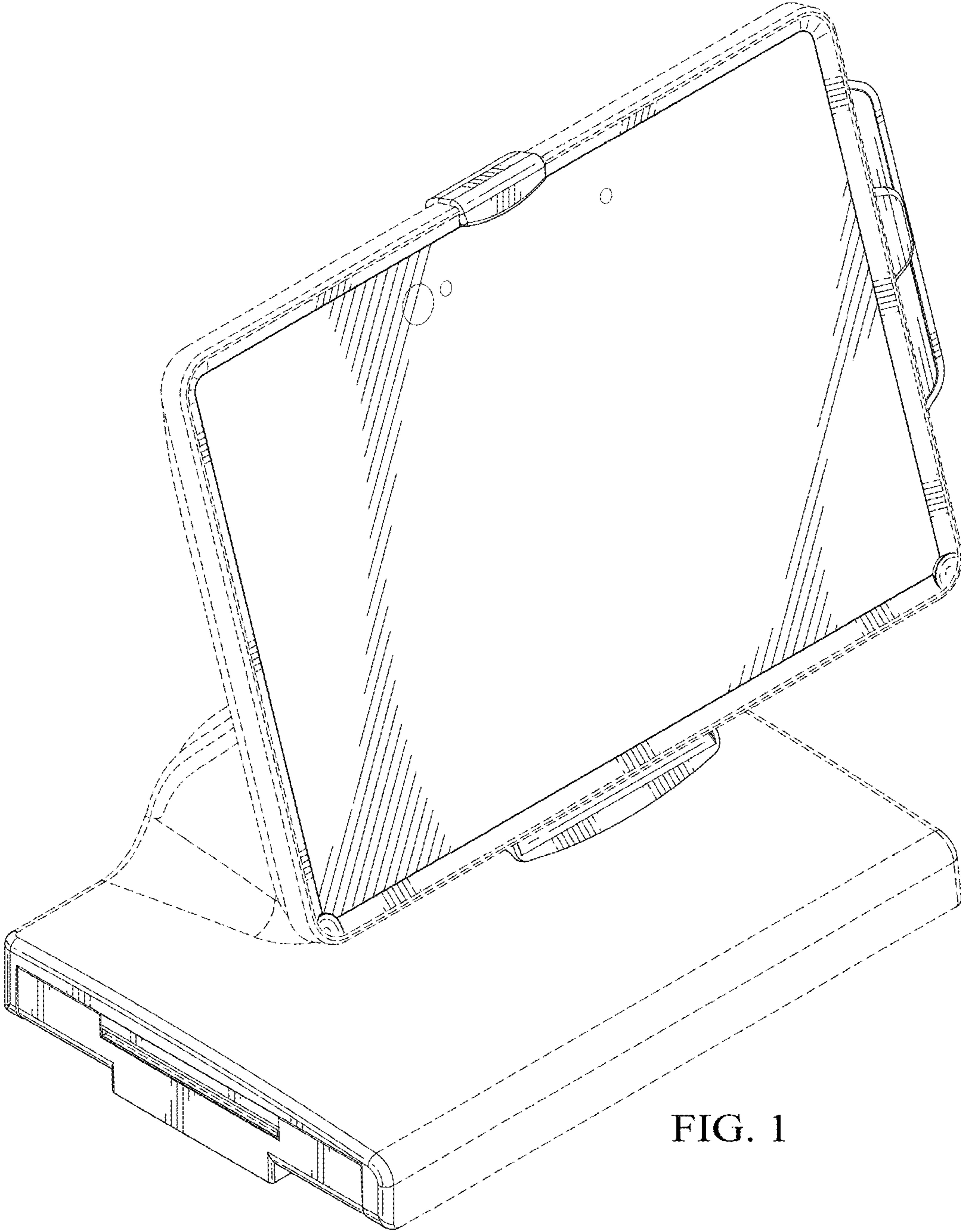


FIG. 1

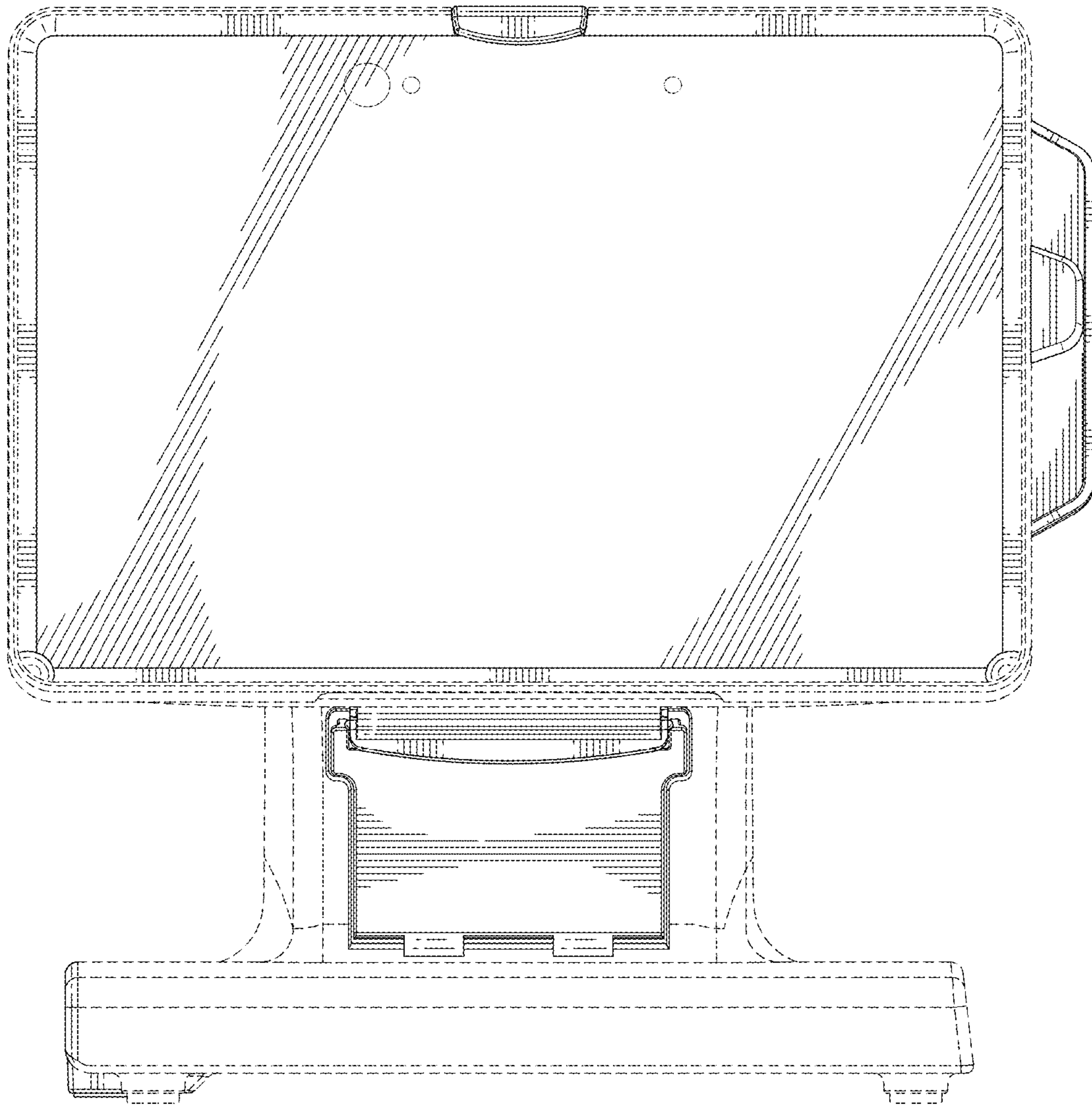


FIG. 2

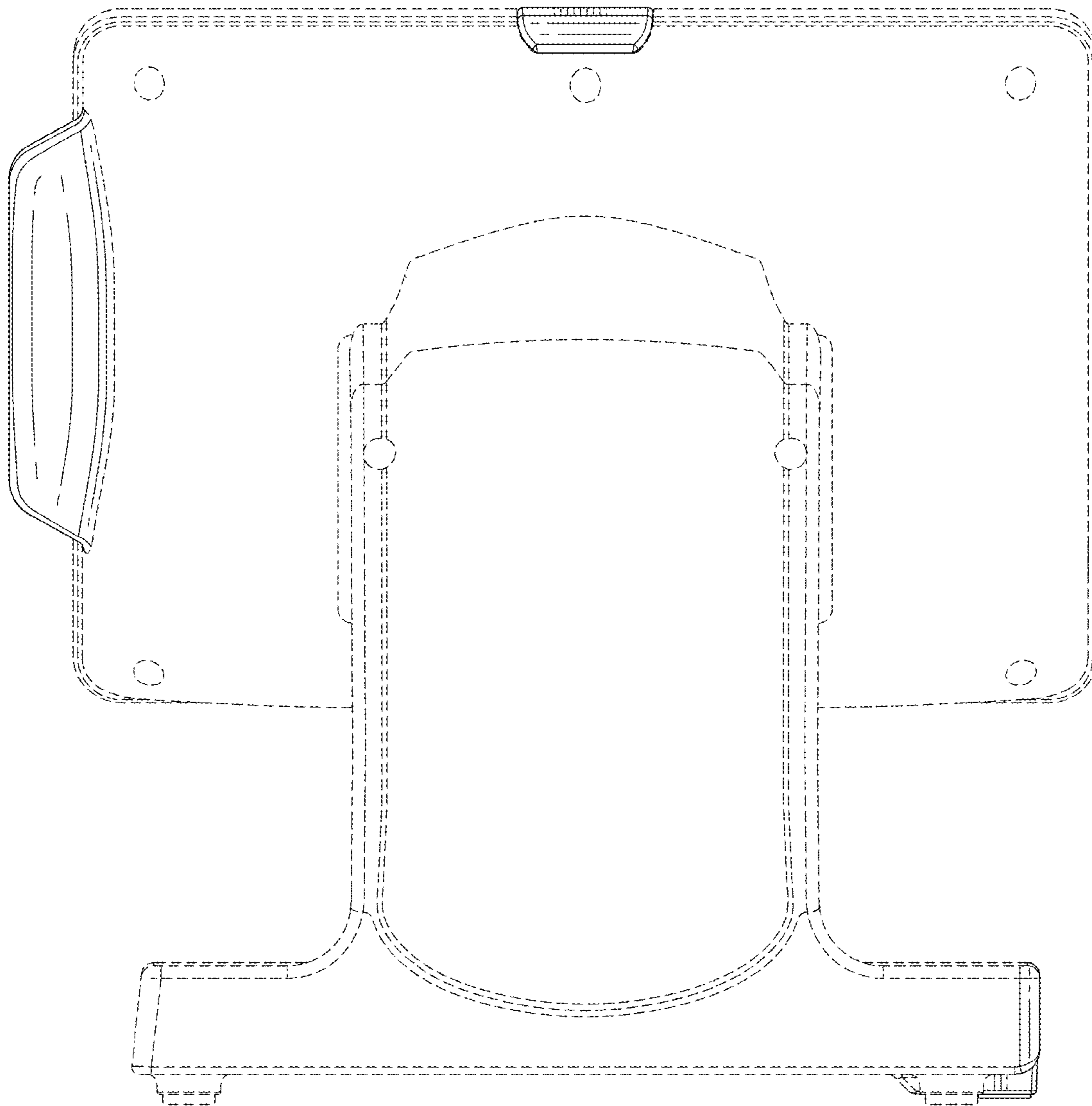


FIG. 3

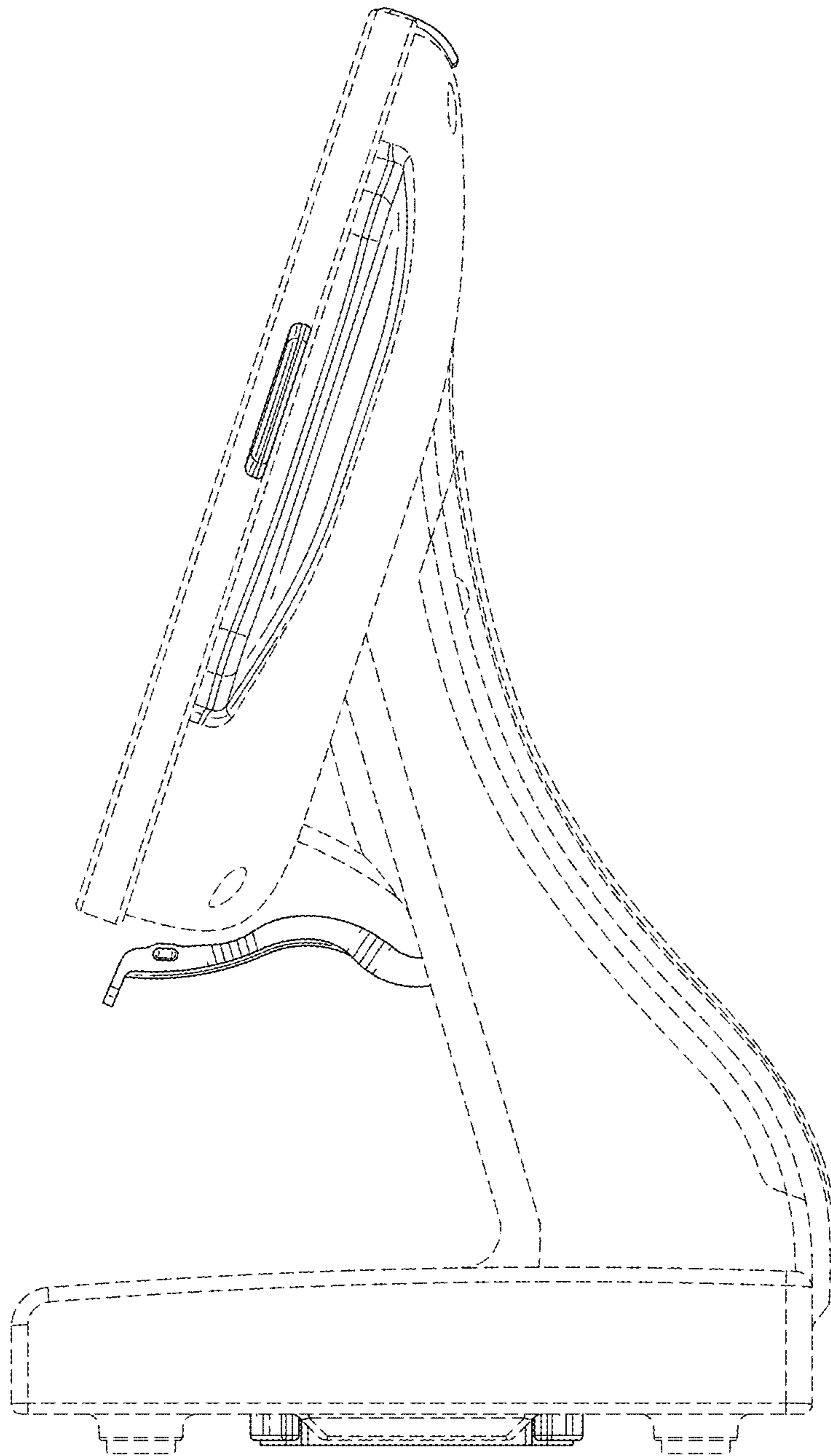


FIG. 4

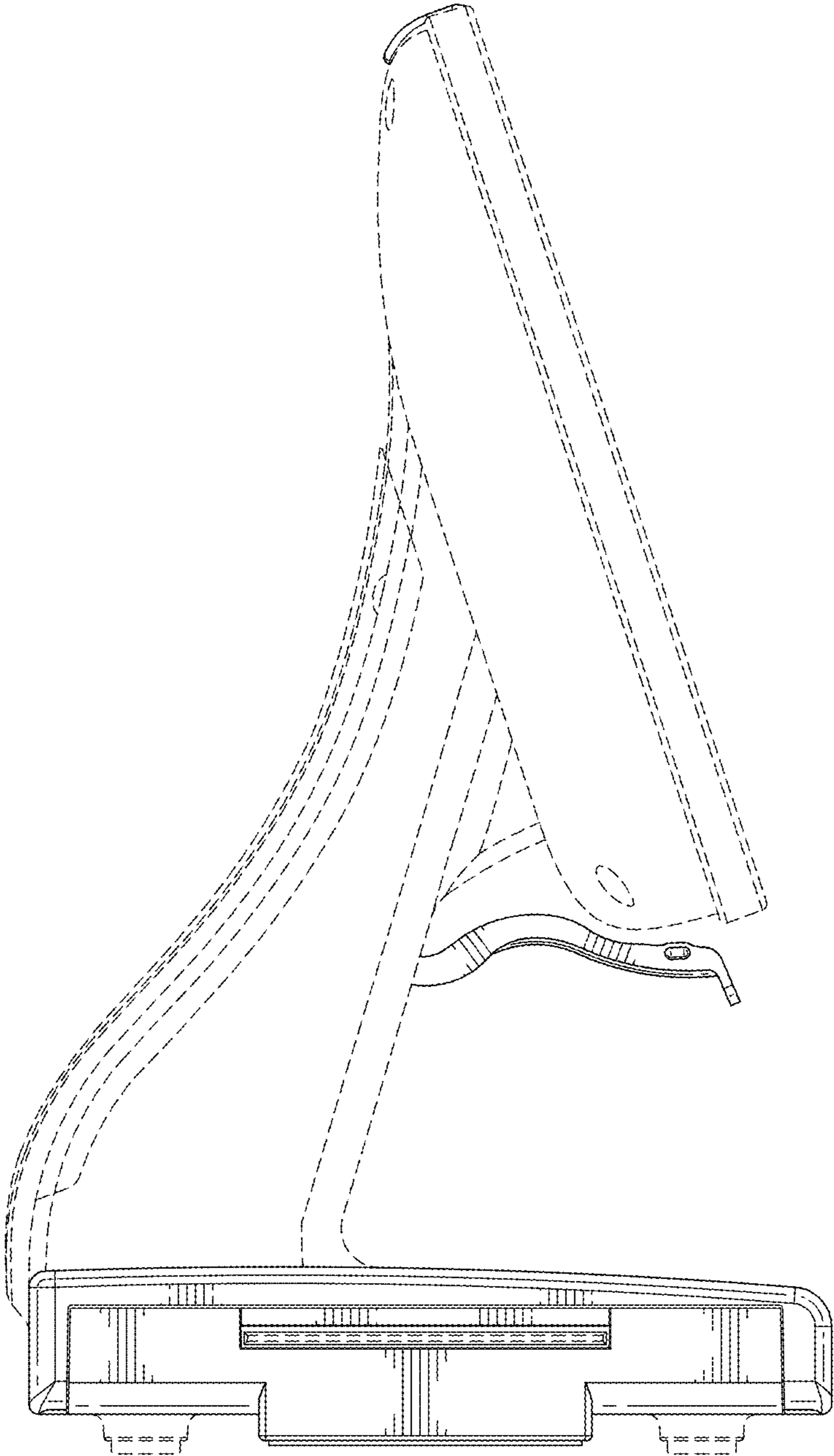


FIG. 5

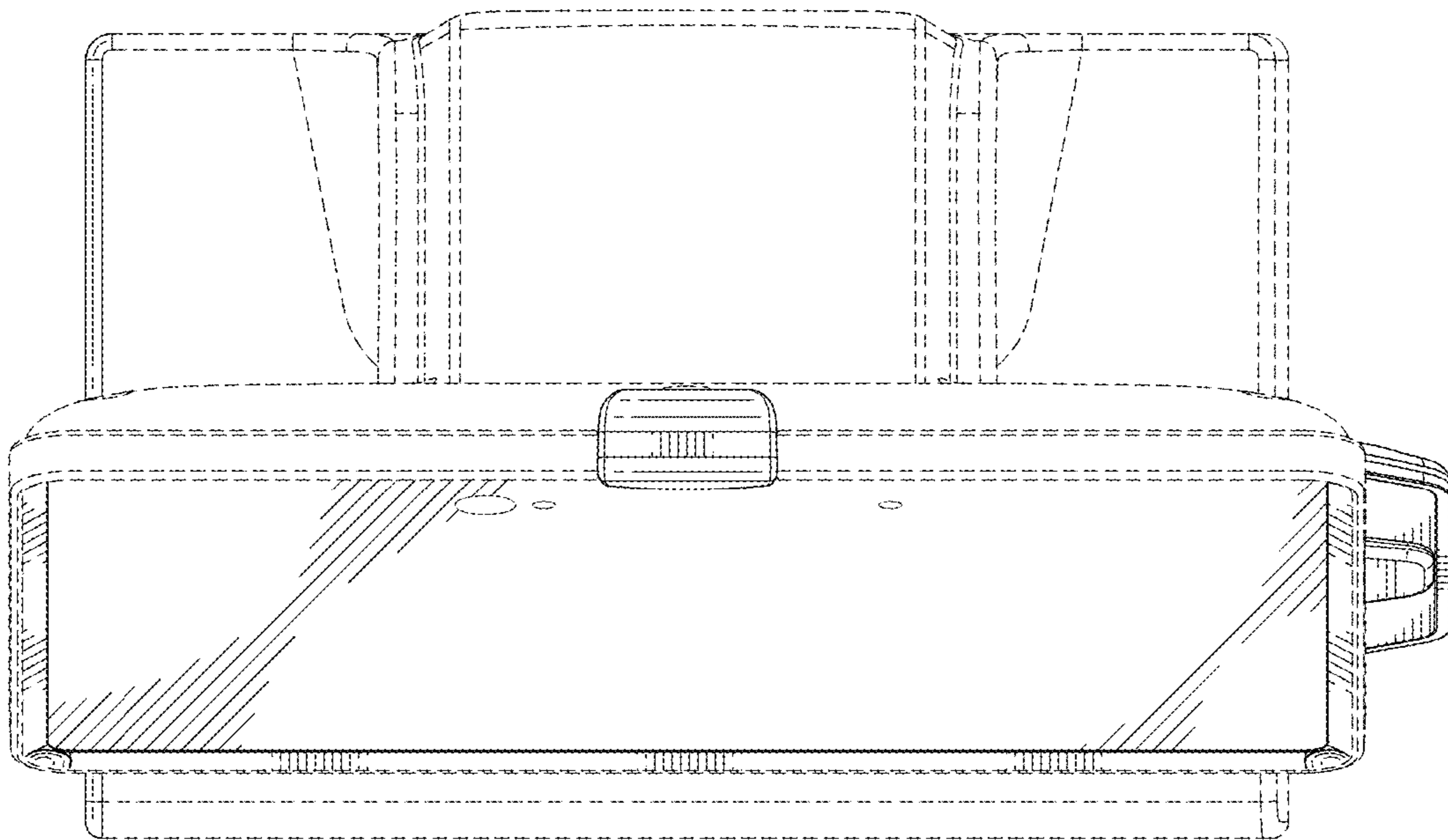


FIG. 6

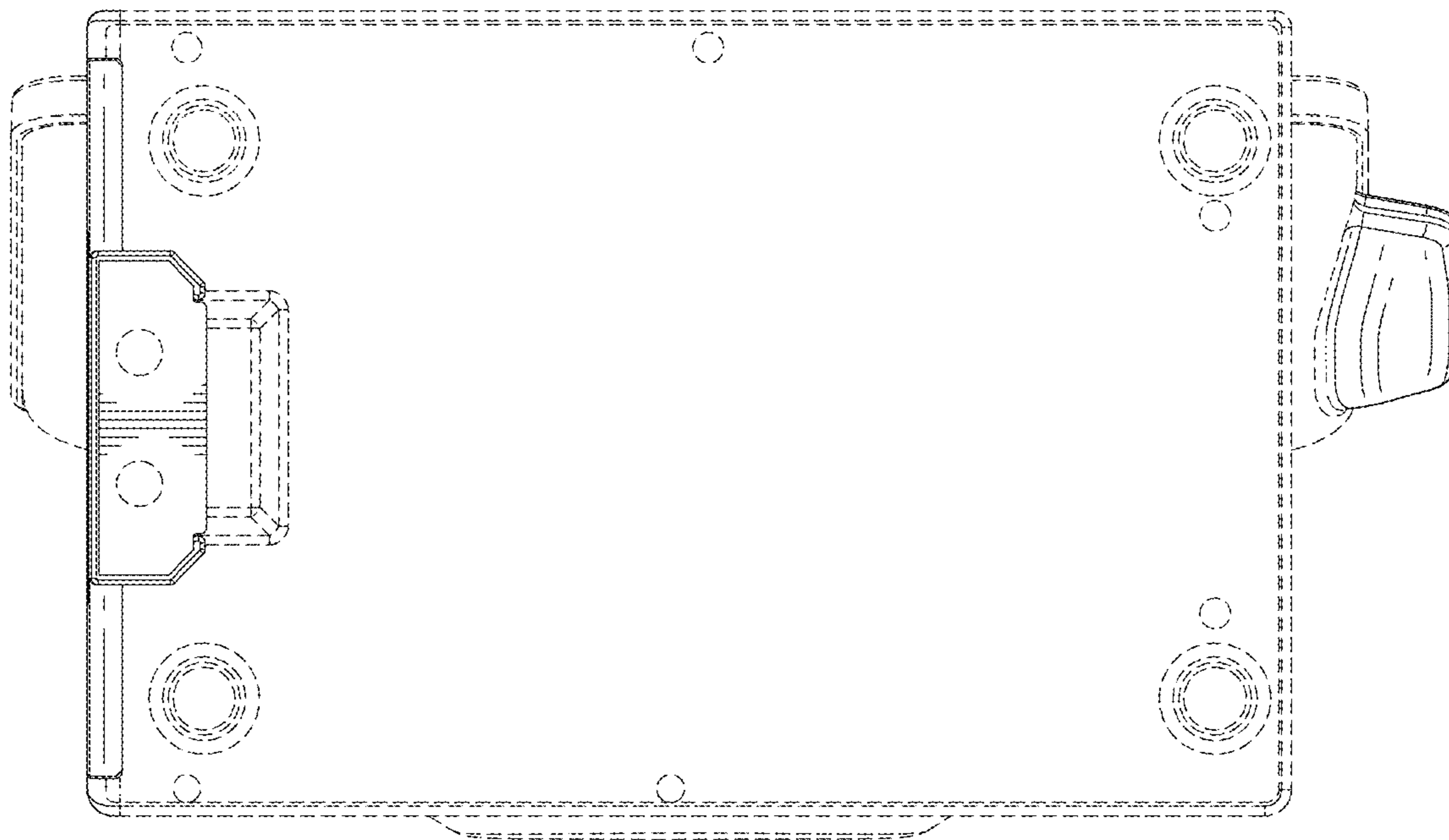


FIG. 7

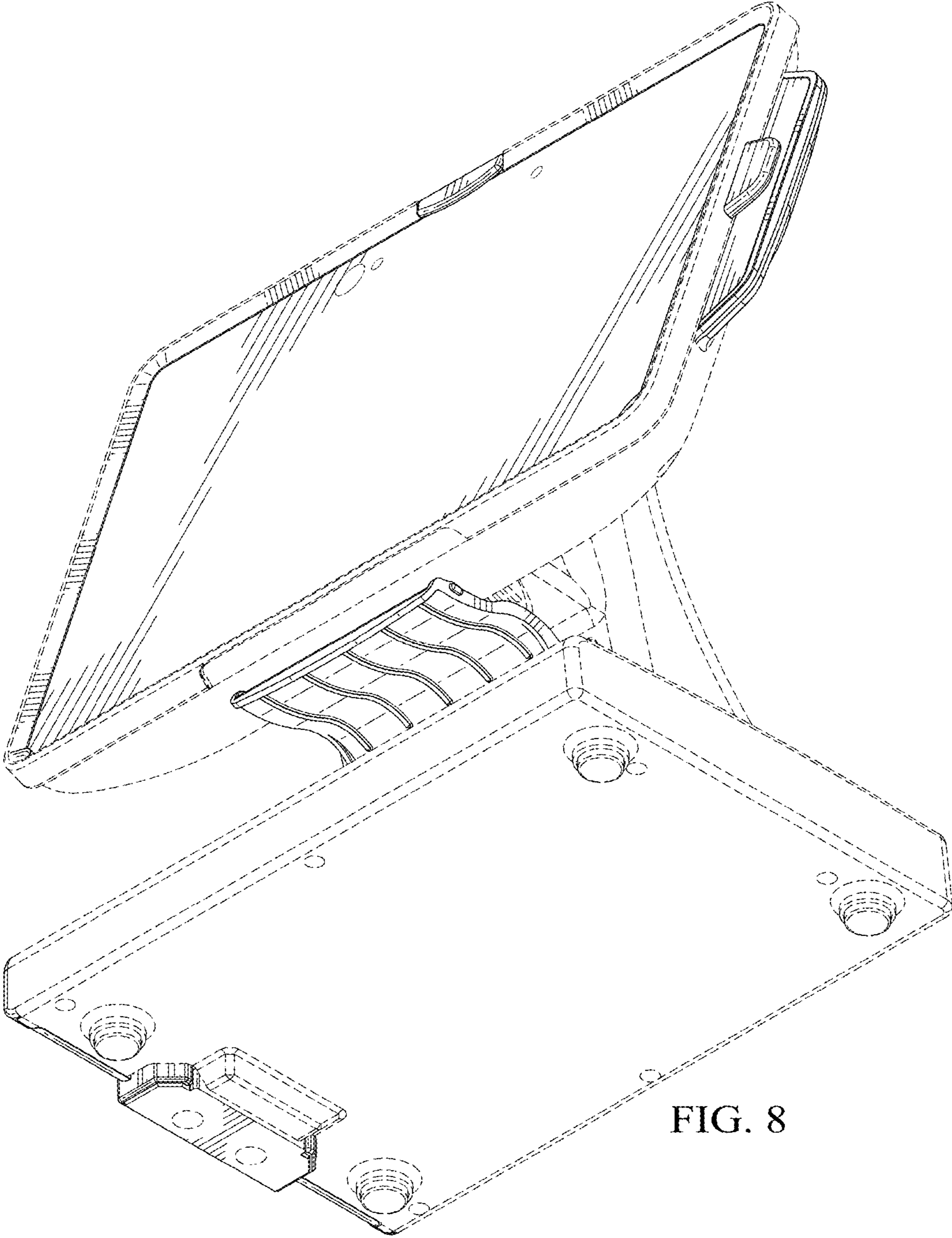


FIG. 8

UNITED STATES PATENT AND TRADEMARK OFFICE
CERTIFICATE OF CORRECTION

PATENT NO. : D772,335 S
APPLICATION NO. : 29/527736
DATED : November 22, 2016
INVENTOR(S) : Manish Mantrawadi et al.

Page 1 of 1

It is certified that error appears in the above-identified patent and that said Letters Patent is hereby corrected as shown below:

On the Title Page

Item (73) under Assignee name, please change to the following:

Tabletop Media LLC d/b/a Ziosk

Signed and Sealed this
Twenty-third Day of May, 2017



Michelle K. Lee
Director of the United States Patent and Trademark Office