



US00D772334S

(12) **United States Design Patent** (10) **Patent No.:** **US D772,334 S**  
**Nishi et al.** (45) **Date of Patent:** **\*\* Nov. 22, 2016**

(54) **ELECTRONIC PERCUSSION INSTRUMENT**

(71) Applicant: **ROLAND CORPORATION**, Shizuoka (JP)

(72) Inventors: **Hiroyuki Nishi**, Shizuoka (JP); **Yoji Inagaki**, Shizuoka (JP)

(73) Assignee: **Roland Corporation**, Shizuoka (JP)

(\*\*) Term: **15 Years**

(21) Appl. No.: **29/544,041**

(22) Filed: **Oct. 30, 2015**

(51) **LOC (10) Cl.** ..... **17-04**

(52) **U.S. Cl.**  
USPC ..... **D17/22**

(58) **Field of Classification Search**  
USPC ..... D17/14, 19, 20, 22, 99; D21/405; D19/10

CPC .. G10D 13/00; G10D 13/003; G10D 13/006;  
G10D 13/02; G10D 13/026; G10D 13/028;  
G10D 13/027; G10D 13/025; G10D 13/022;  
G10D 13/08

See application file for complete search history.

(56) **References Cited**

U.S. PATENT DOCUMENTS

D135,294 S *	3/1943	De Ost	.....	D9/432
4,829,168 A *	5/1989	Nakahara	.....	G06K 13/067 235/487
D446,717 S *	8/2001	Lancaster	.....	D9/418
D453,516 S *	2/2002	Pentz	.....	D14/436
D460,455 S *	7/2002	Pentz	.....	D14/436
D551,969 S *	10/2007	Aurilio	.....	D9/418
D610,447 S *	2/2010	Seum	.....	D9/418
D729,060 S *	5/2015	Trombetta	.....	D9/418
D733,681 S *	7/2015	Moir	.....	D14/214
2012/0073420 A1 *	3/2012	Schmader	.....	G10D 13/021 84/415
2013/0068083 A1 *	3/2013	Eduardo	.....	G10D 13/02 84/411 R
2014/0208925 A1 *	7/2014	Osborne	.....	G10D 13/02 84/725
2015/0262563 A1 *	9/2015	Alexander	.....	G10D 13/028 84/414

OTHER PUBLICATIONS

The Cajon:Everything You Wanted To Know, posted at hubpages.com, earliest date available Aug. 31, 2013, [online], acquired on Jul. 1, 2016. Available from Internet, <URL: http://hubpages.com/technology/The-CajonEverything-You-Wanted-To-Know>.\*

The Cajon—A short history, posted at cigarboxguitar.com, earliest date available Jun. 11, 2014, [online], acquired on Jul. 1, 2016. Available from Internet, <URL: http://www.cigarboxguitar.com/knowledge-base/the-history-of-the-cajon-an-original-homemadehandmade-folk-instrument/>.\*

Our Handmade Cajons, posted at thecajondrumshop.com, earliest date available Dec. 20, 2010, [online], acquired on Jul. 1, 2016. Available from Internet, <URL: http://www.thecajondrumshop.com/index.php?page=How-To-Build-A-Cajon>.\*

\* cited by examiner

*Primary Examiner* — Manpreet Matharu

*Assistant Examiner* — Aula Soroush

(74) *Attorney, Agent, or Firm* — Jianq Chyun IP Office

(57) **CLAIM**

The ornamental design for an electronic percussion instrument, as shown and described.

**DESCRIPTION**

FIG. 1 is a perspective view of an electronic percussion instrument showing our new design;

FIG. 2 is a front view thereof;

FIG. 3 is a rear view thereof;

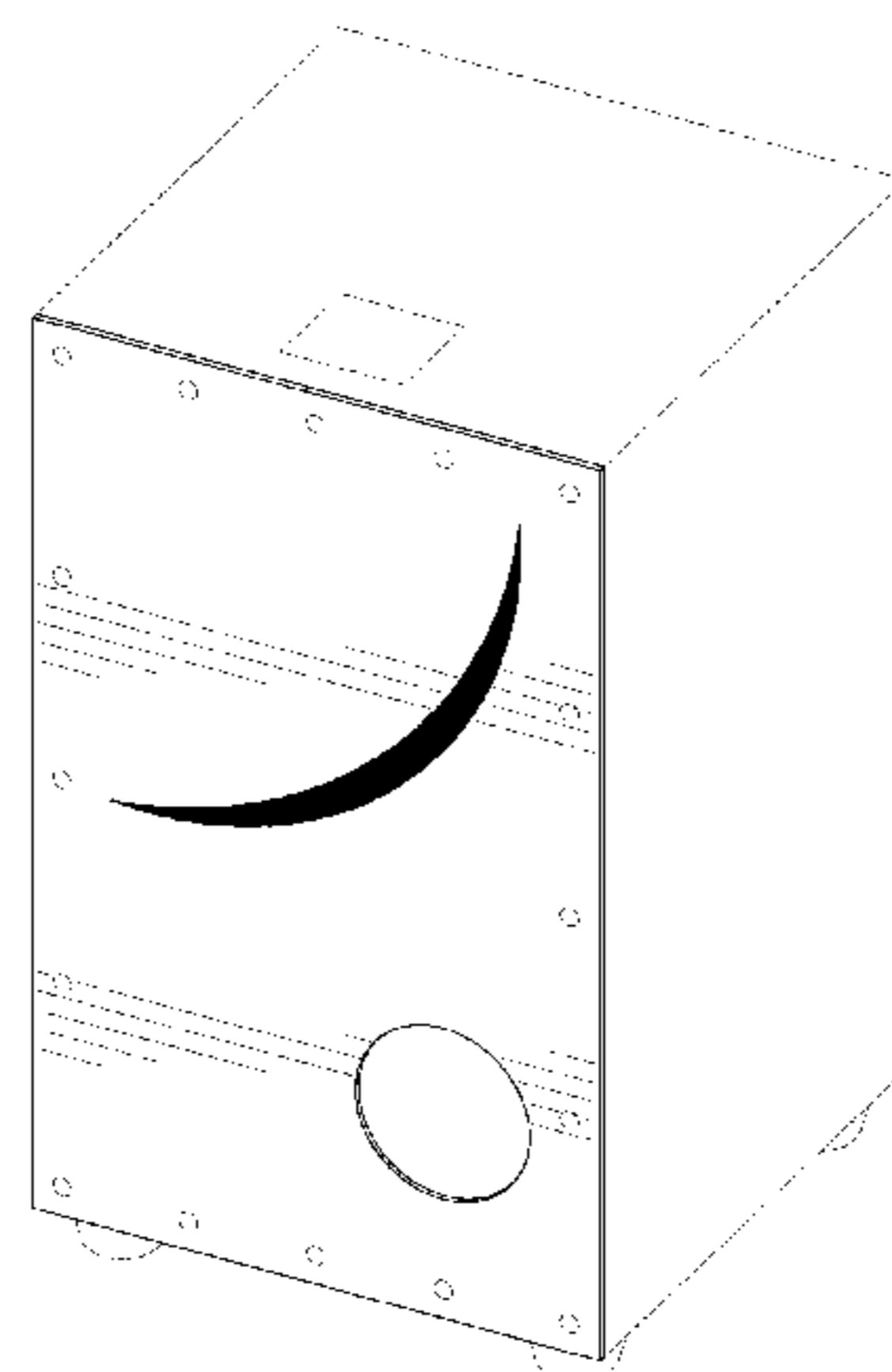
FIG. 4 is a right side view thereof, the left side view being a mirror image thereof;

FIG. 5 is a top plan view thereof; and,

FIG. 6 is a bottom plan view thereof.

The broken lines in the drawings illustrate portions of the electronic percussions instrument that form no part of the claimed design.

**1 Claim, 6 Drawing Sheets**



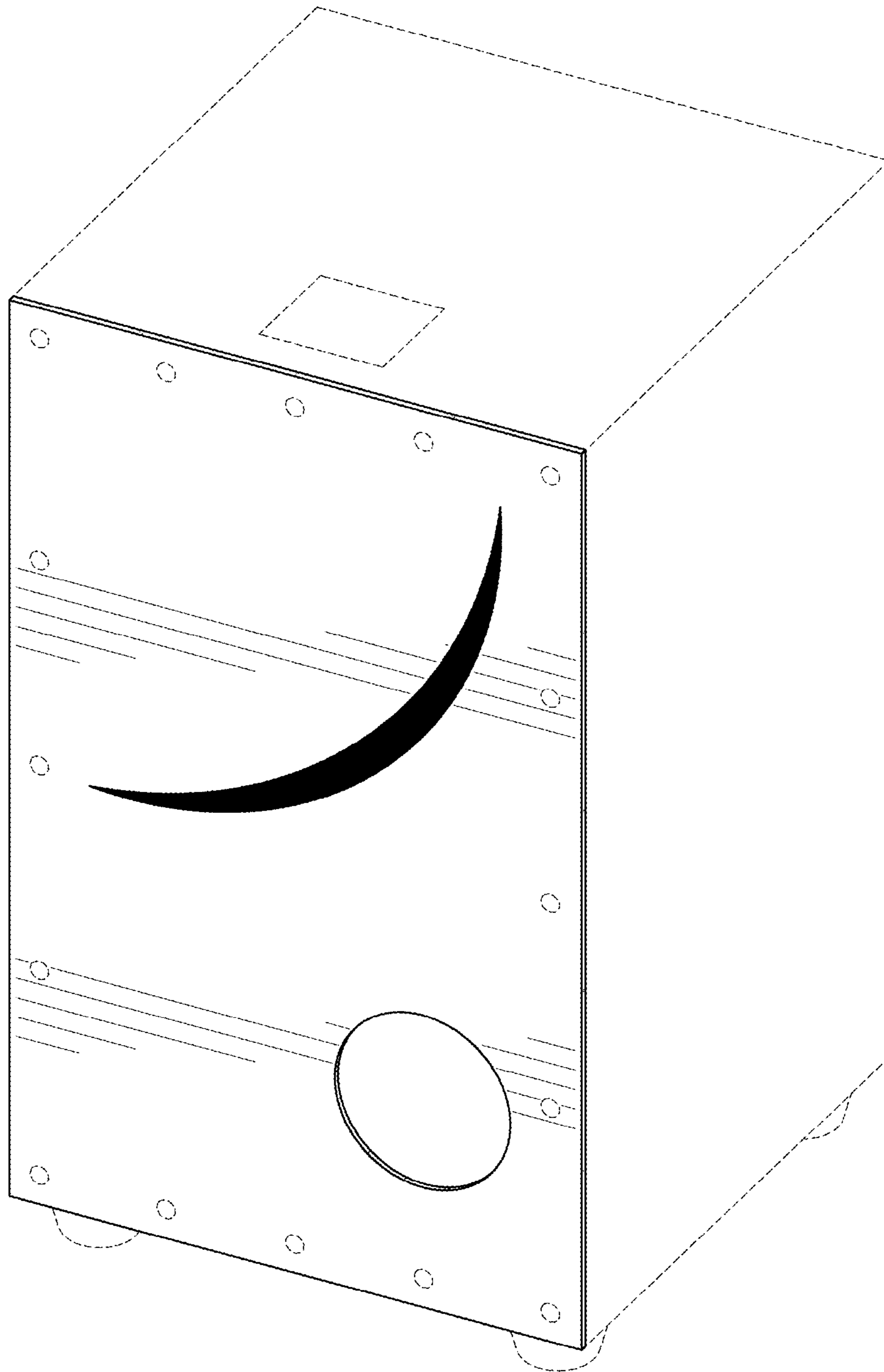


FIG. 1

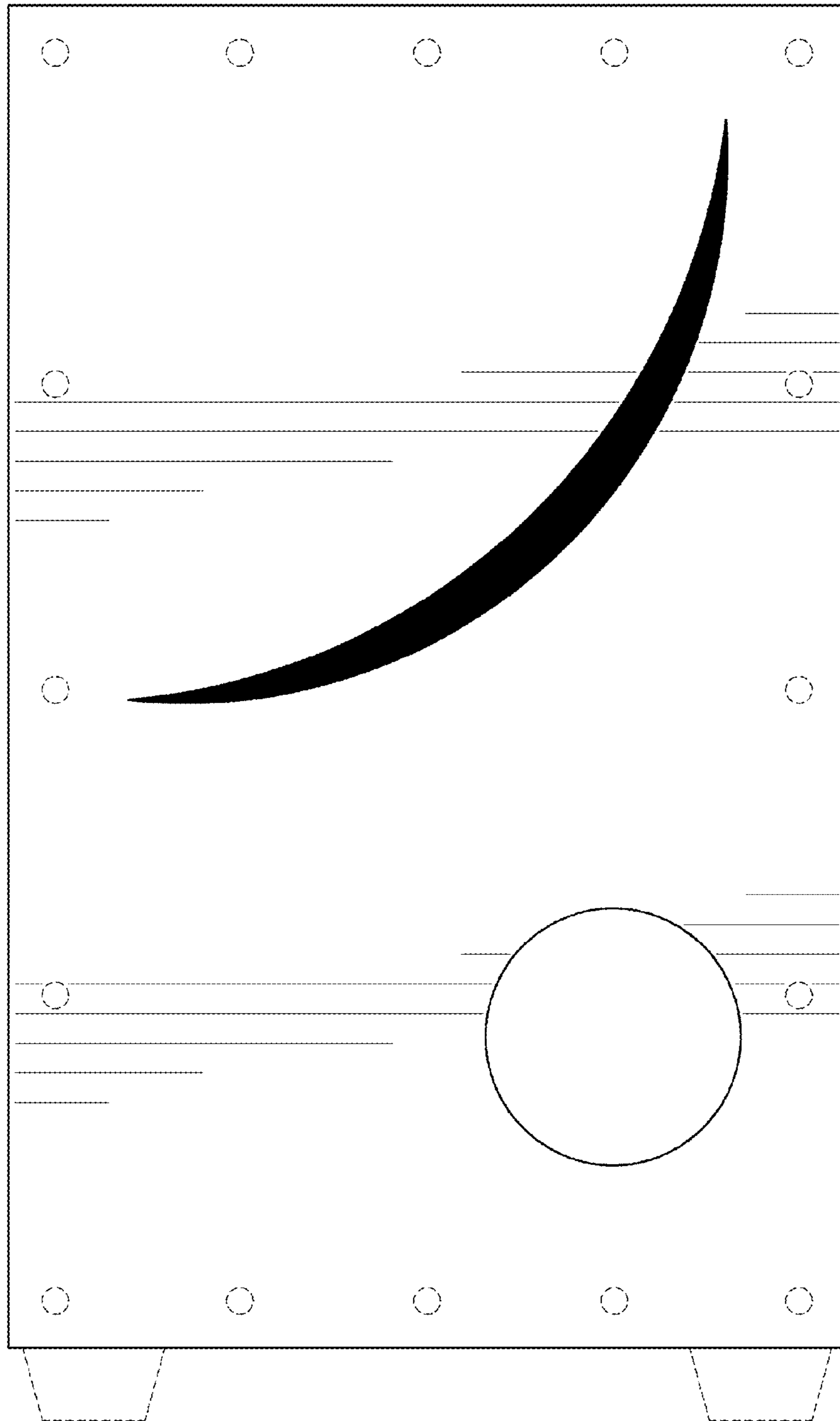


FIG. 2

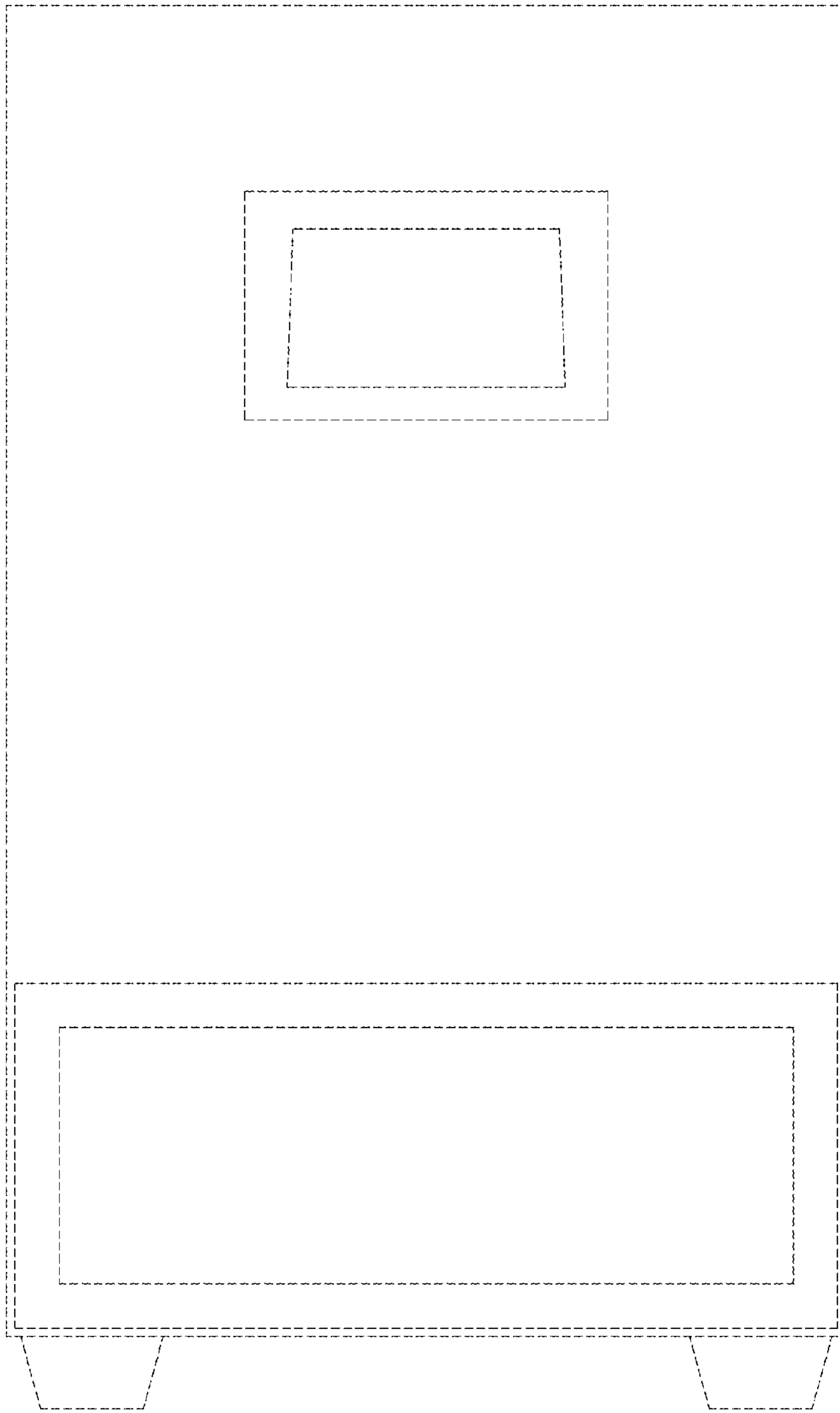


FIG. 3

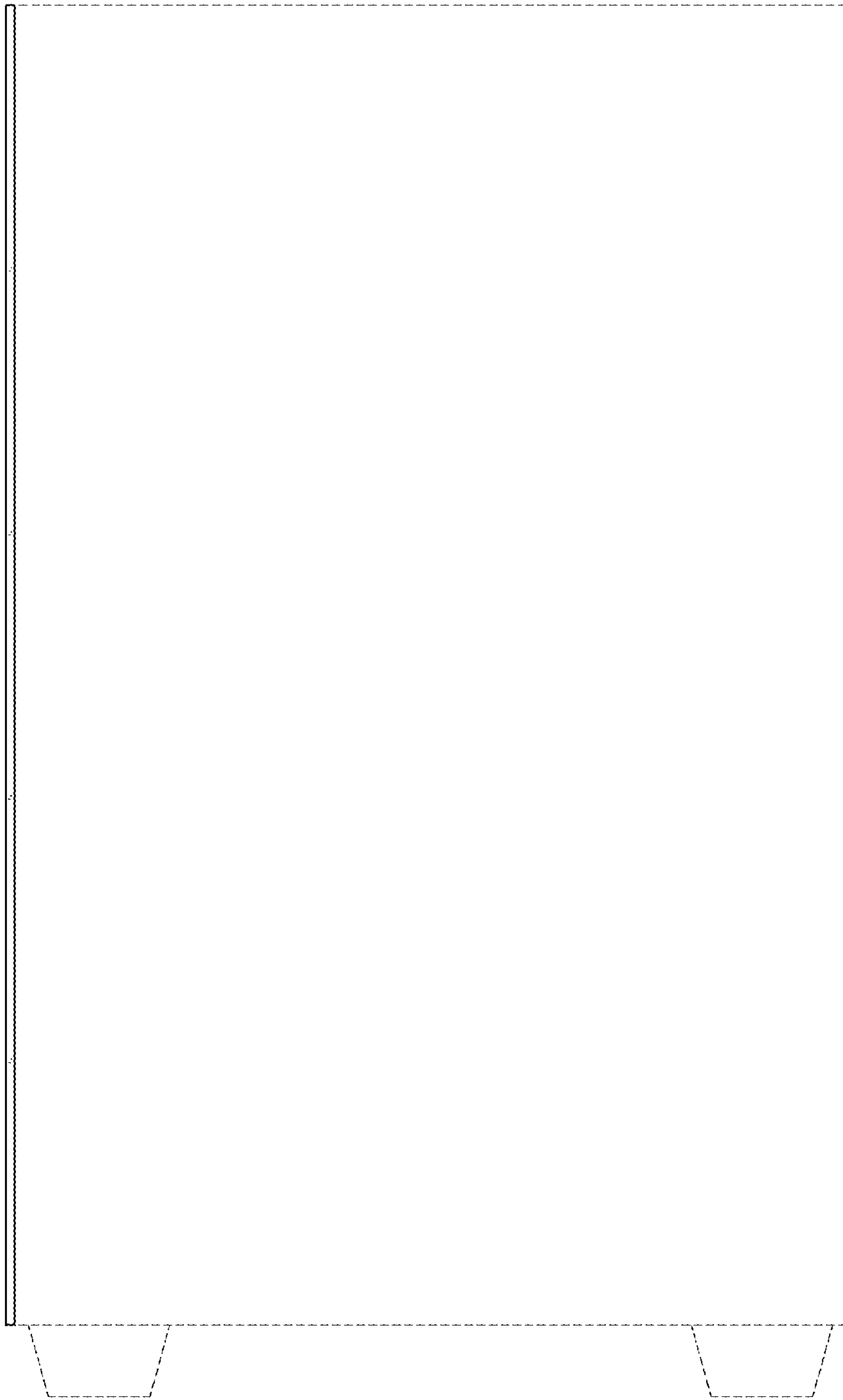


FIG. 4

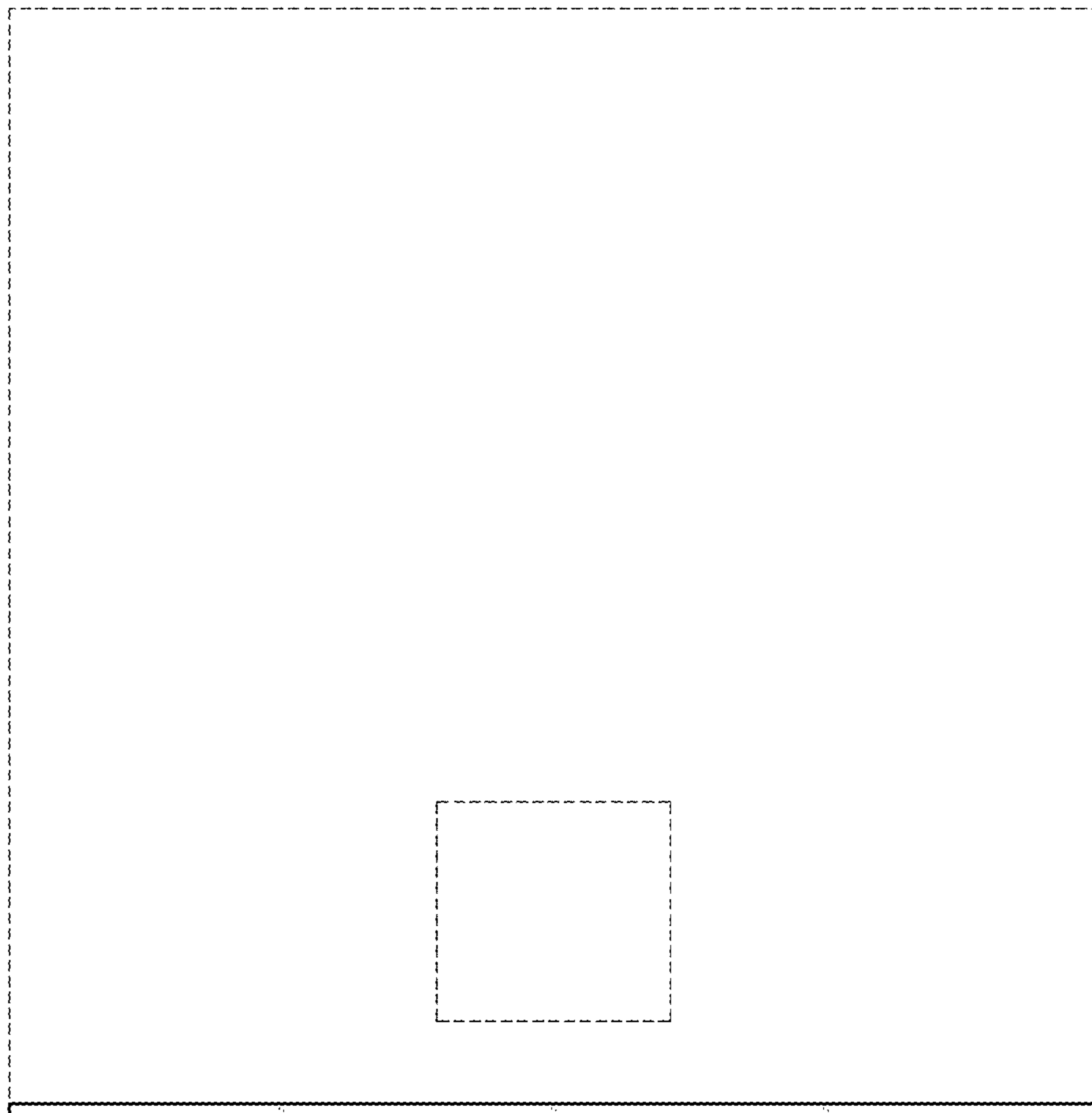


FIG. 5

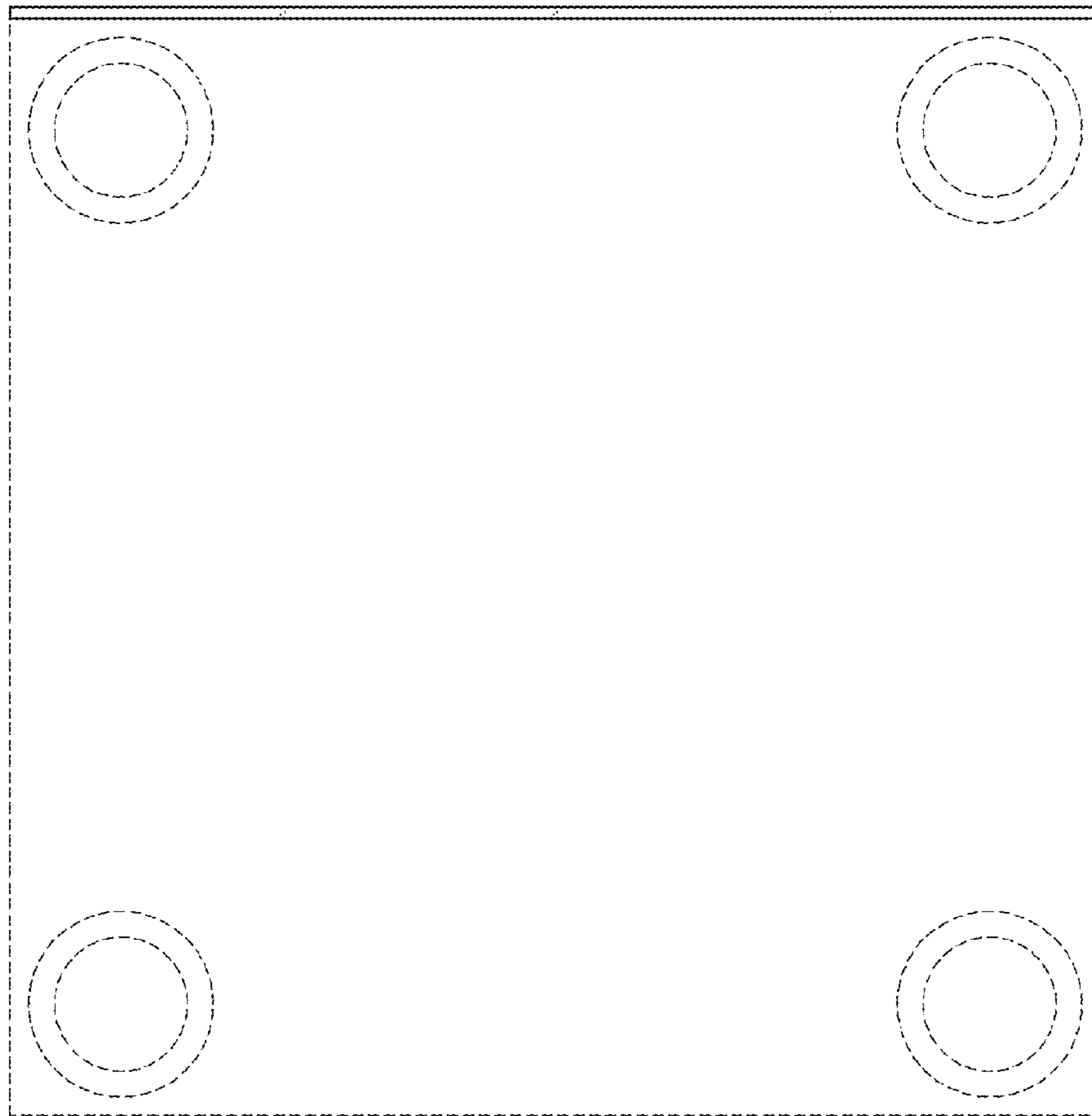


FIG. 6