



US00D772333S

(12) **United States Design Patent** (10) **Patent No.:** **US D772,333 S**
Suzuki (45) **Date of Patent:** **** Nov. 22, 2016**

(54) **KICK PAD FOR ELECTRONIC DRUM**

OTHER PUBLICATIONS

- (71) Applicant: **YAMAHA CORPORATION**,
Hamamatsu-shi, Shizuoka (JP)
- (72) Inventor: **Toshihide Suzuki**, Hamamatsu (JP)
- (73) Assignee: **YAMAHA CORPORATION**, Shizuoka
(JP)
- (**) Term: **15 Years**
- (21) Appl. No.: **29/541,927**
- (22) Filed: **Oct. 9, 2015**

Alesis DM10 RealHead Kick Pad, posted at musicjunkie.co.uk, earliest date available Jun. 30, 2013, [online], acquired on Jul. 1, 2016. Available from Internet, <URL: <http://www.musicjunkie.co.uk/product/Alesis-DM10-RealHead-Kick-Pad/>>.*

Millenium E- Drum Kick Bass Pad, posted at thomann.de, earliest date available May 14, 2008, [online], acquired on Jul. 1, 2016. Available from Internet, <URL: http://www.thomann.de/dk/millemium_e_drum_kick_bass_pad.htm>.*

Yamaha KP65 Electronic Drum Kick Tower, posted at amazon.com, earliest date available Jul. 16, 2004, [online], acquired on Jul. 1, 2016. Available from Internet, <URL: <https://www.amazon.com/Yamaha-KP65-Electronic-Drum-Tower/dp/B001R2RA4E>>.*

* cited by examiner

(30) **Foreign Application Priority Data**

Primary Examiner — Manpreet Matharu

Apr. 10, 2015 (JP) 2015-008148

Assistant Examiner — Aula Soroush

(51) **LOC (10) Cl.** **17-04**

(74) *Attorney, Agent, or Firm* — Sughrue Mion, PLLC

(52) **U.S. Cl.**
USPC **D17/22**

(58) **Field of Classification Search**
USPC D17/14, 19, 20, 22, 99; D21/405
CPC G10D 113/006; G10D 113/026; G10D
113/028; G10D 113/027; G10D 113/025;
G10D 113/022; G10D 113/08
See application file for complete search history.

(57) **CLAIM**

The ornamental design for a kick pad for an electronic drum, as shown and described.

(56) **References Cited**

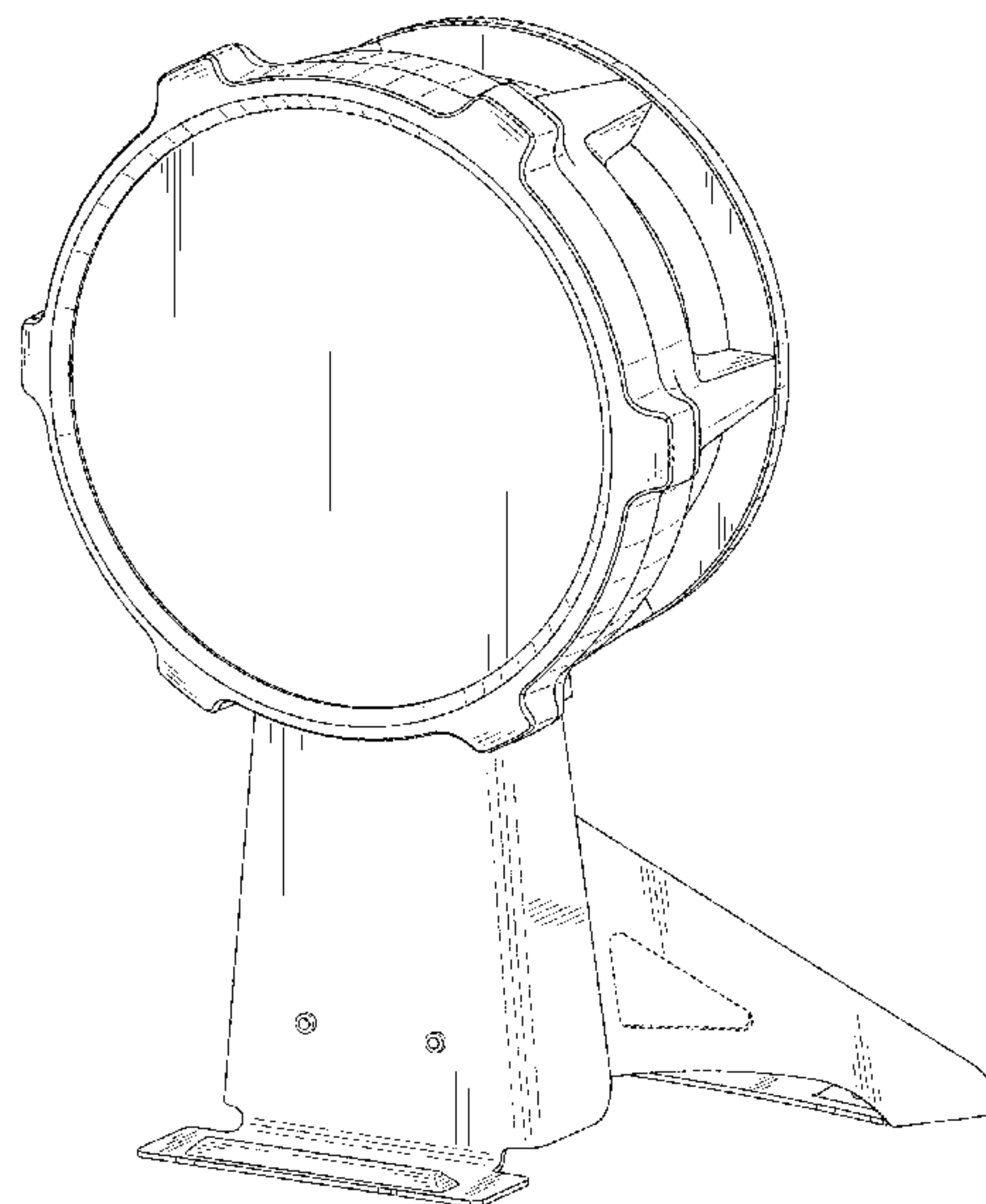
DESCRIPTION

U.S. PATENT DOCUMENTS

- 3,968,718 A * 7/1976 Carver G10D 13/006
84/422.1
- 5,789,688 A * 8/1998 Schiano G10D 13/065
84/422.1
- D596,222 S * 7/2009 Onishi D17/22
- 2014/0260921 A1 * 9/2014 Kanayama G10H 3/146
84/730
- 2015/0221290 A1 * 8/2015 Wei G10D 13/006
84/730

FIG. 1 is a front, top, right side perspective view of a kick pad for an electric drum showing my new design;
FIG. 2 is a front, top, left side perspective view thereof;
FIG. 3 is a front view thereof;
FIG. 4 is a rear view thereof;
FIG. 5 is a left side view thereof;
FIG. 6 is a right side view thereof;
FIG. 7 is a top plan view thereof; and,
FIG. 8 is a bottom plan view thereof.
The broken lines in the drawings illustrate portions of the kick pad for an electric drum that form no part of the claimed design.

1 Claim, 8 Drawing Sheets



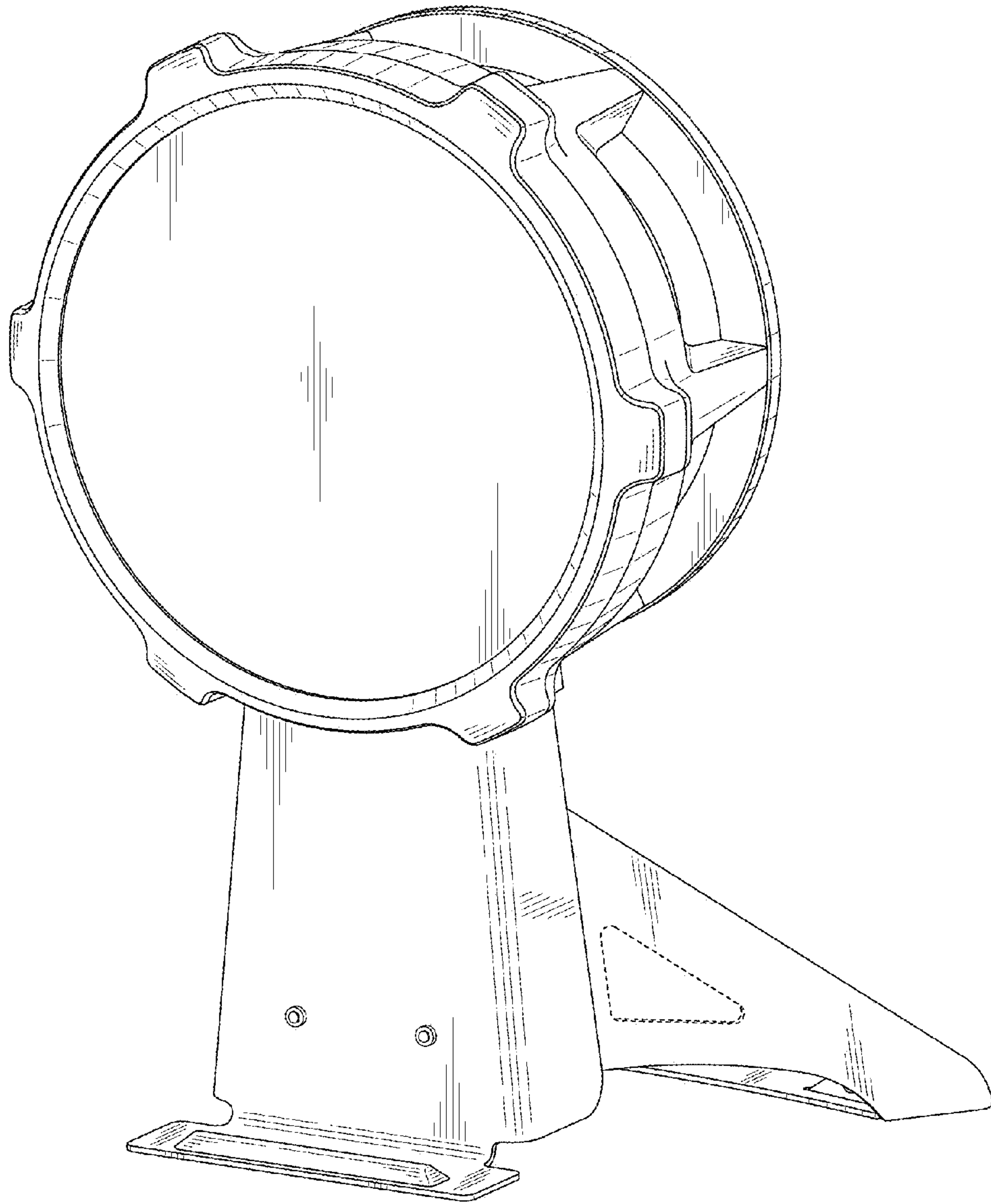


FIG. 1

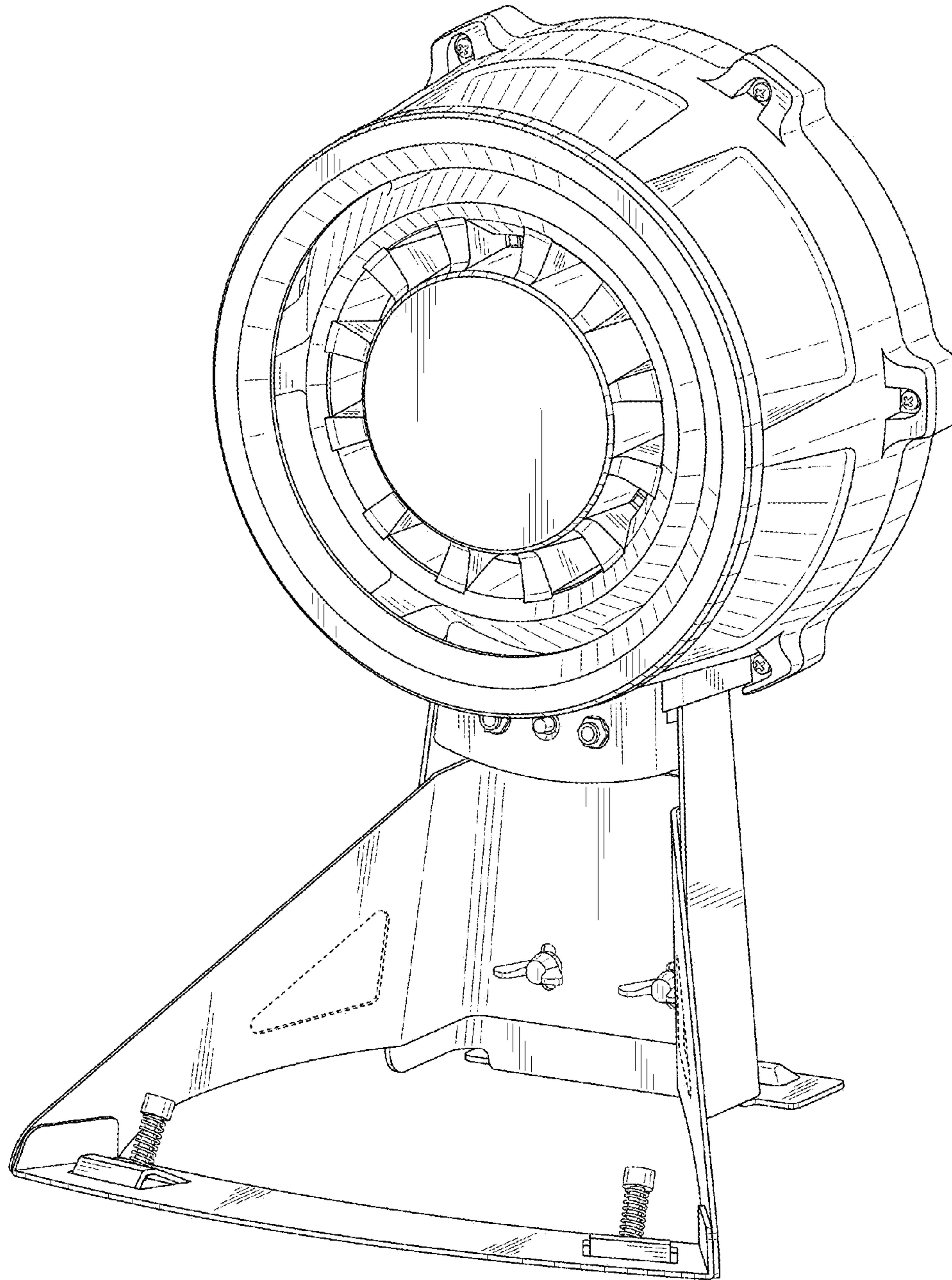


FIG. 2

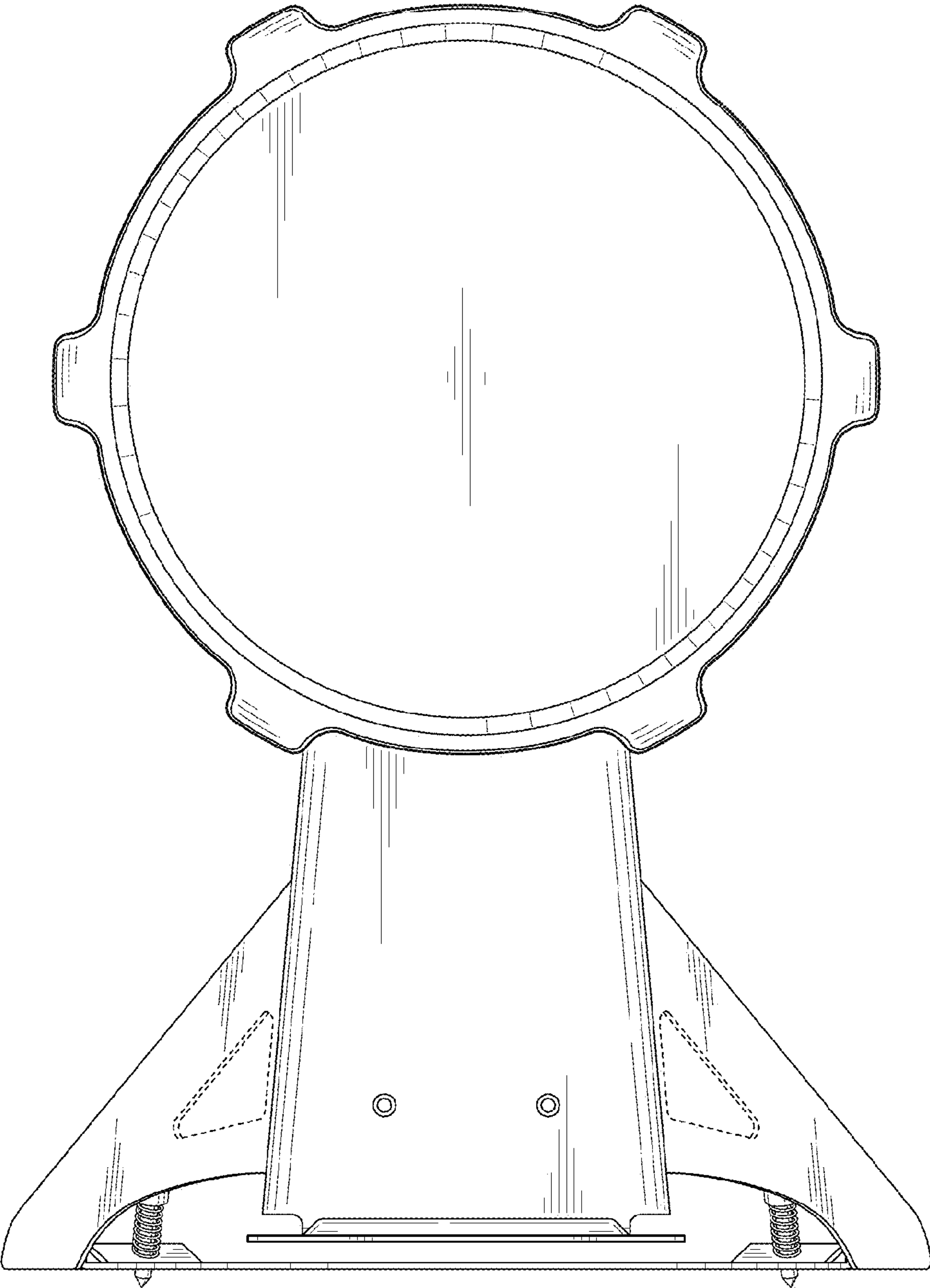


FIG. 3

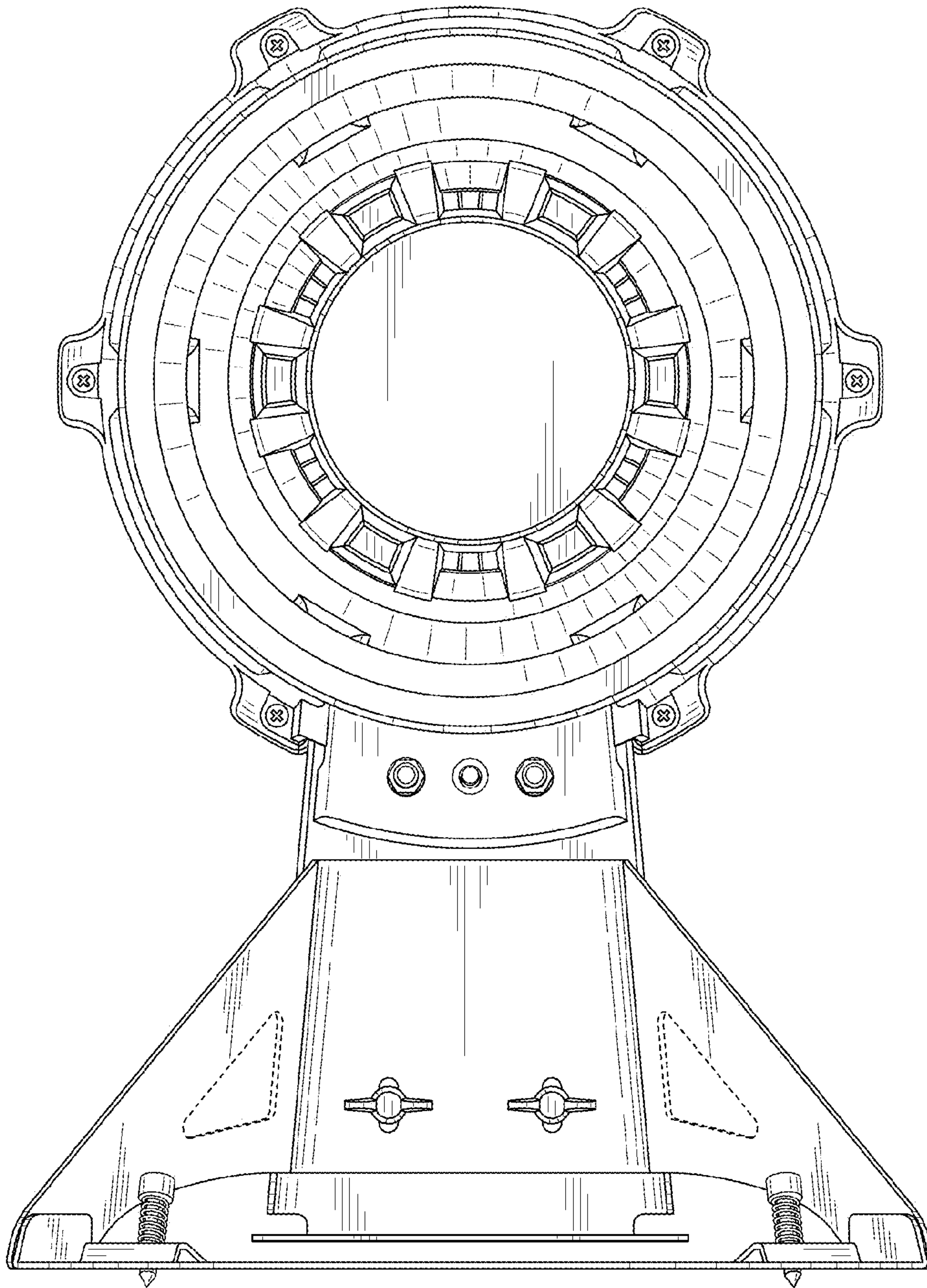


FIG. 4

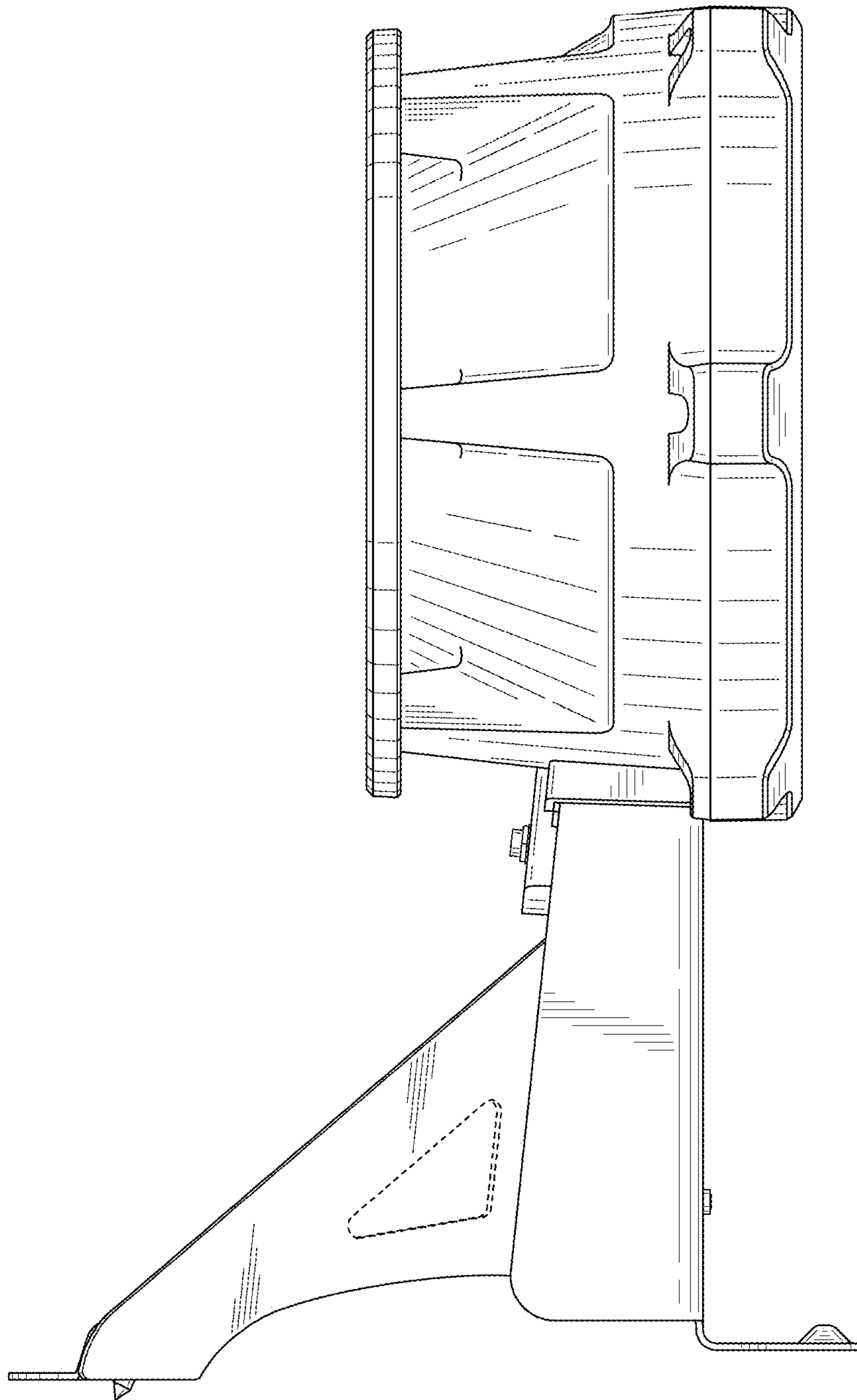


FIG. 5

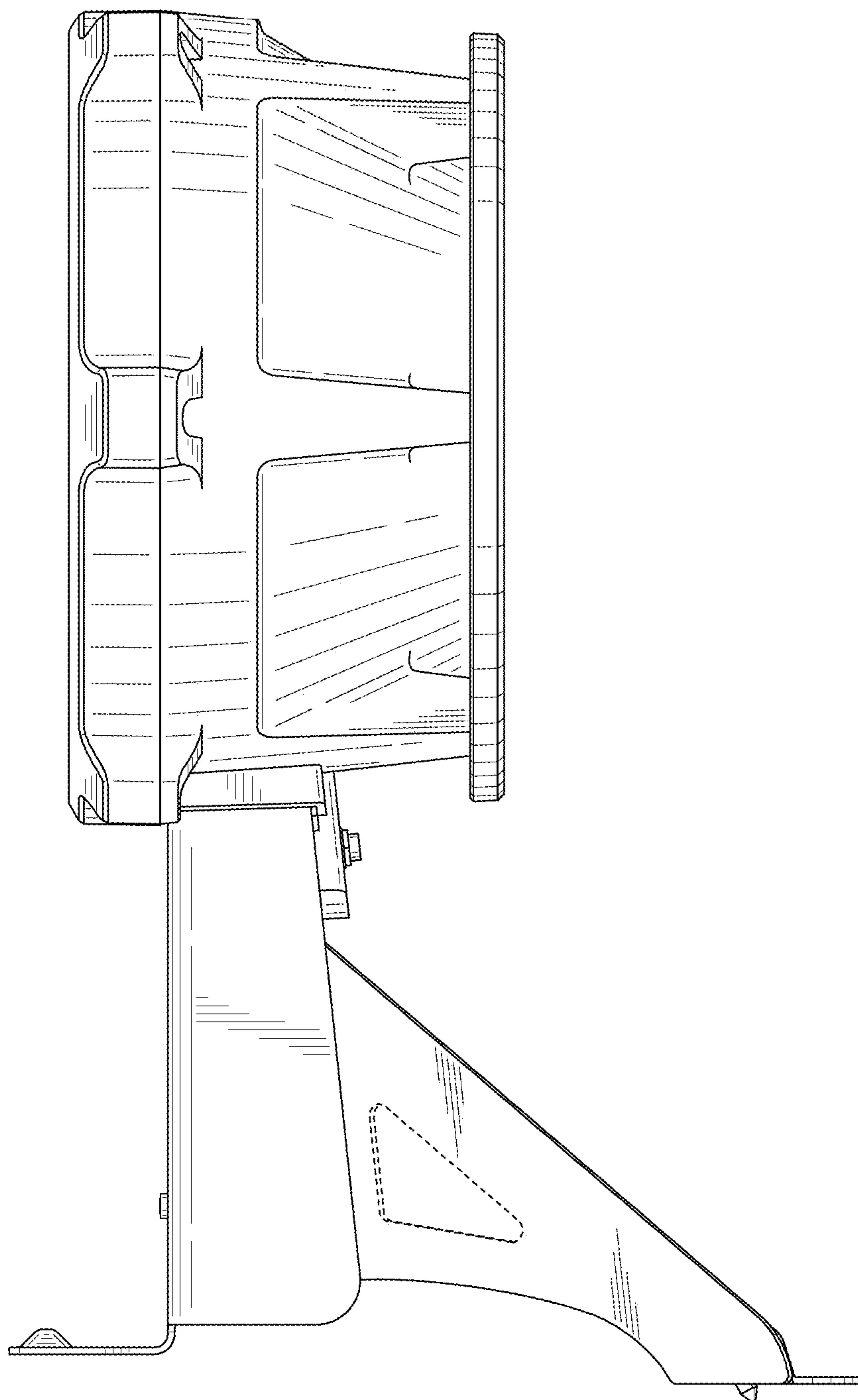


FIG. 6

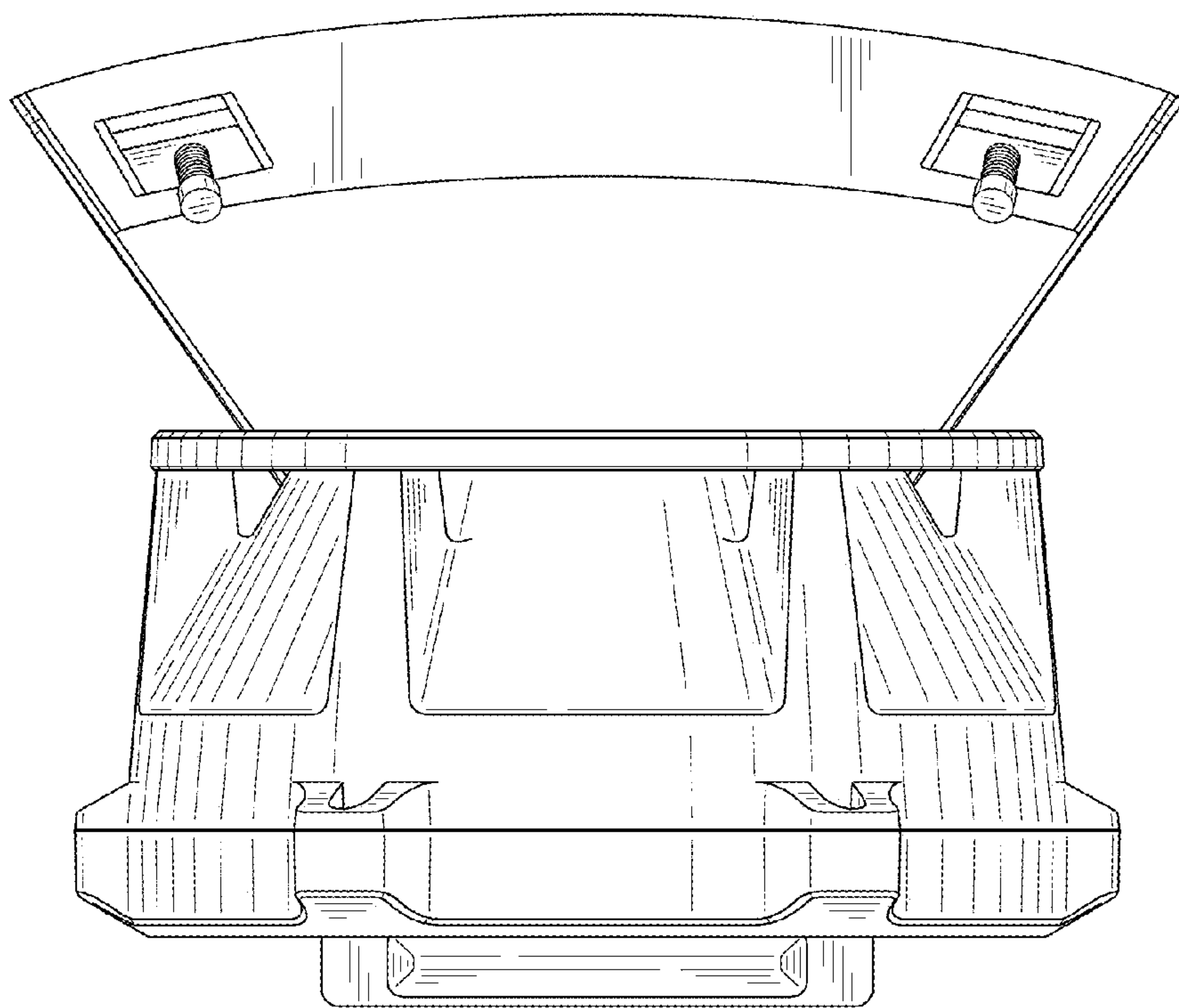


FIG. 7

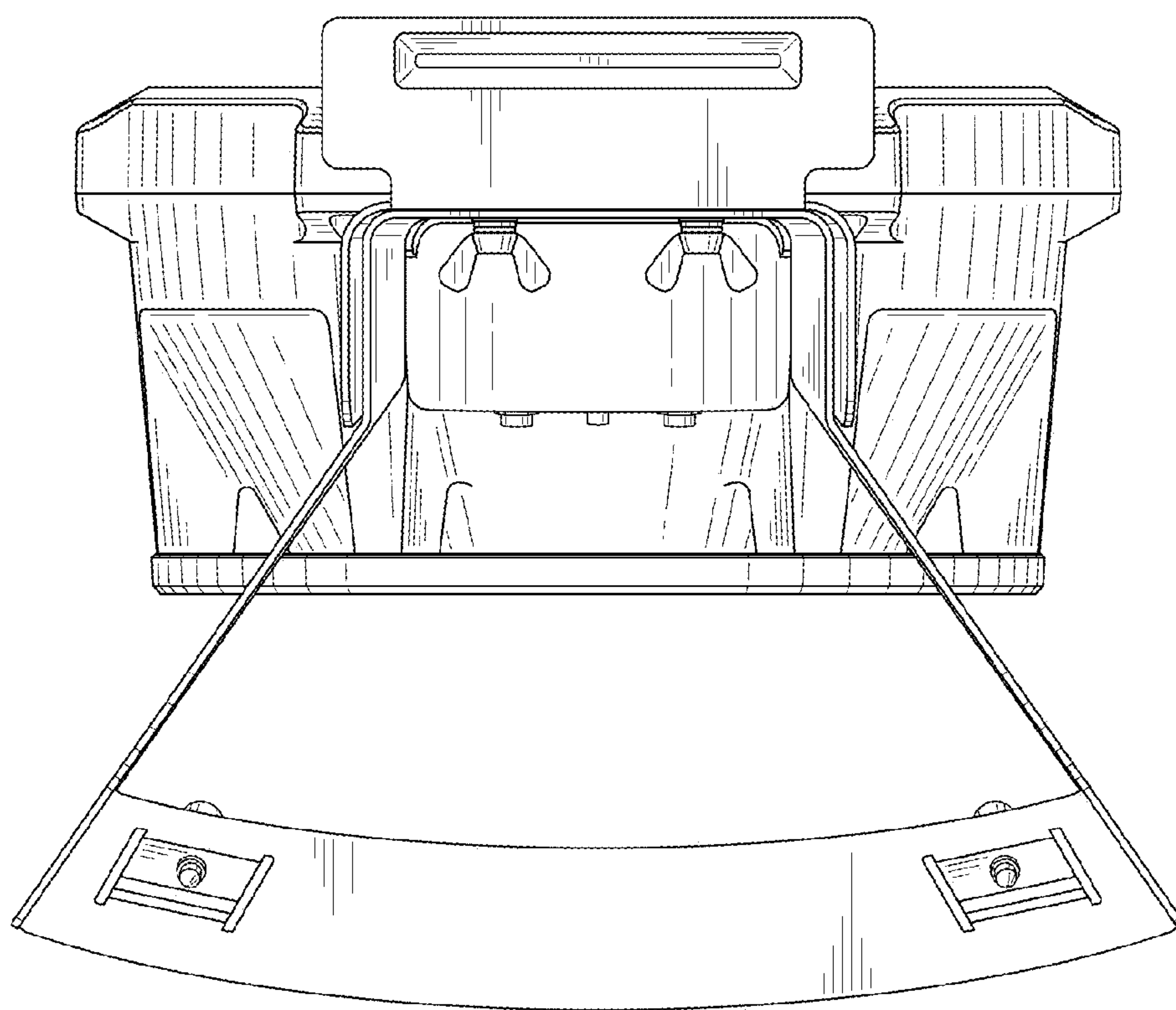


FIG. 8