



US00D772327S

(12) **United States Design Patent** (10) **Patent No.:** **US D772,327 S**
Kaufer (45) **Date of Patent:** **** Nov. 22, 2016**

(54) **DECORATIVE CHILD PROTECTIVE EYEWEAR**

(71) Applicant: **Daphne Kaufer**, Redwood City, CA (US)

(72) Inventor: **Daphne Kaufer**, Redwood City, CA (US)

(**) Term: **15 Years**

(21) Appl. No.: **29/554,179**

(22) Filed: **Feb. 9, 2016**

(51) **LOC (10) Cl.** **16-06**

(52) **U.S. Cl.**
USPC **D16/306; D16/311; D16/325**

(58) **Field of Classification Search**
USPC D16/101, 300-342, 900; D29/109-110; 351/41, 44, 51-52, 62, 158, 92, 351/103-123, 140-153, 63, 59, 45-48; 2/426-432, 447-449, 441, 434-437, 2/440, 442, 13, 15; D21/483, 659-661; D14/372; D8/356
CPC G02C 2200/08; G02C 1/06; G02C 5/14; G02C 11/02; G02C 11/04; G01C 5/16; A61M 2021/0044; A63B 33/002

See application file for complete search history.

(56) **References Cited**

U.S. PATENT DOCUMENTS

D181,976 S *	1/1958	Hanft	D21/660
D296,941 S *	7/1988	Ieutholt	D29/108
D307,954 S *	5/1990	Alber	D21/660
D523,460 S *	6/2006	Rider	D16/306
D558,403 S *	12/2007	Lee	D29/108
D570,398 S *	6/2008	Magal	D16/306
D748,184 S *	1/2016	Szymanowski	D16/306

* cited by examiner

Primary Examiner — Raphael Barkai

(74) *Attorney, Agent, or Firm* — Andrew S. Rapacke

(57) **CLAIM**

The ornamental design for a decorative child protective eyewear design, as shown and described.

DESCRIPTION

FIG. 1 is a perspective view of the decorative child protective eyewear;

FIG. 2 is a rear side view thereof;

FIG. 3 is a front side view thereof;

FIG. 4 is a left side view thereof;

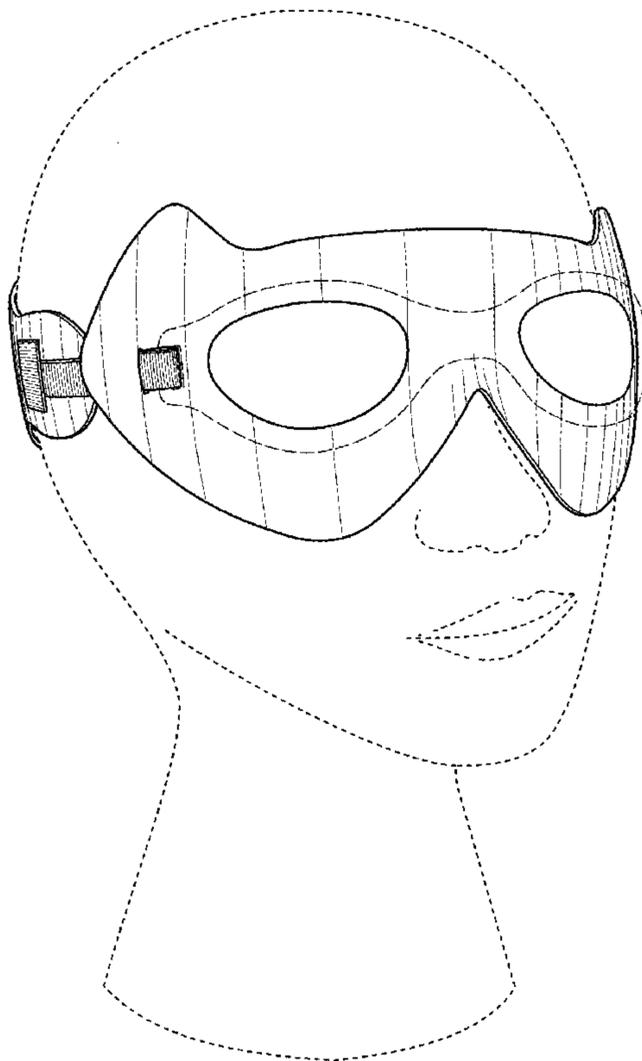
FIG. 5 is a right side view thereof;

FIG. 6 is a top view thereof; and,

FIG. 7 is a bottom view thereof.

The broken lines form no part of the claimed design.

1 Claim, 4 Drawing Sheets



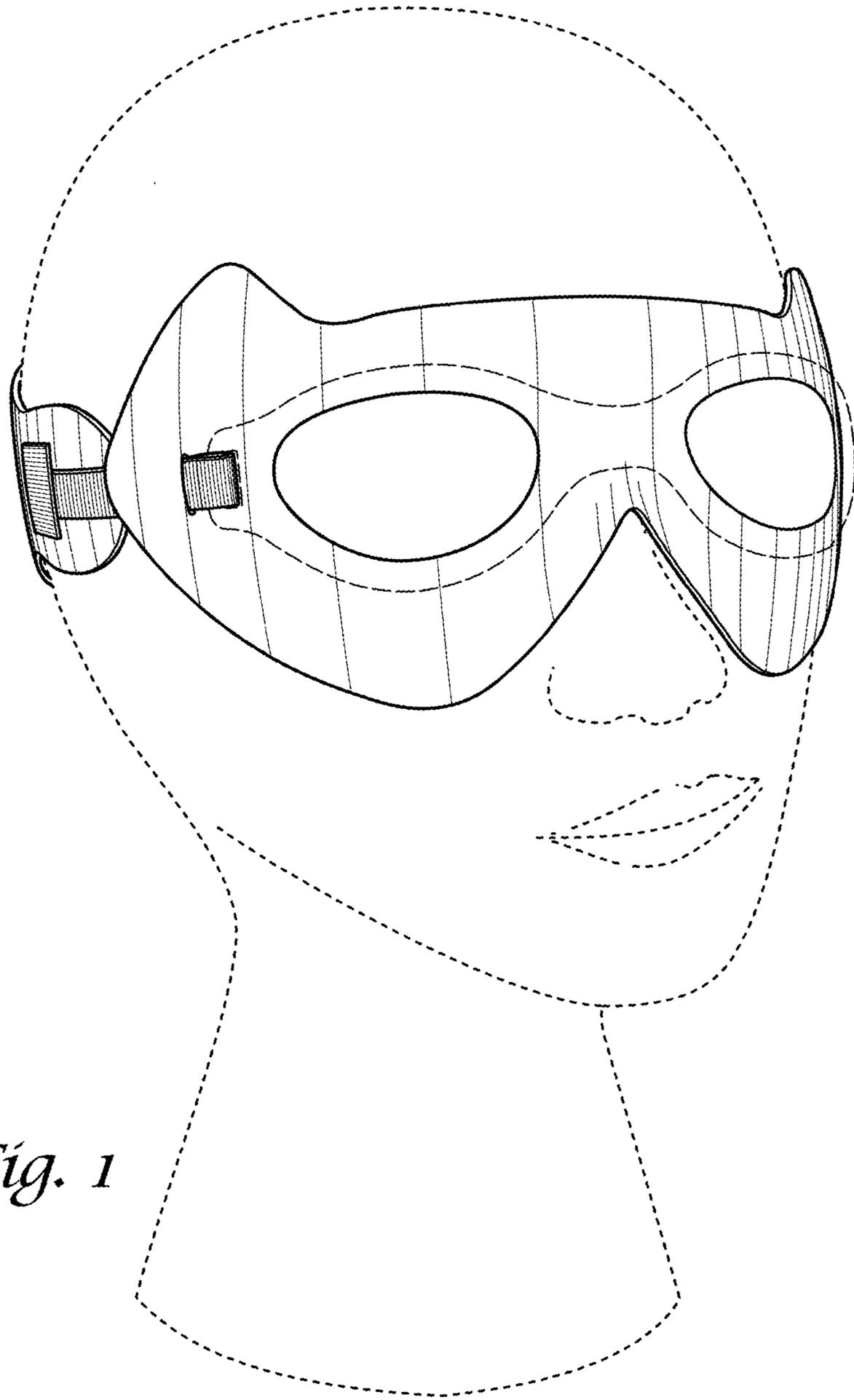


Fig. 1

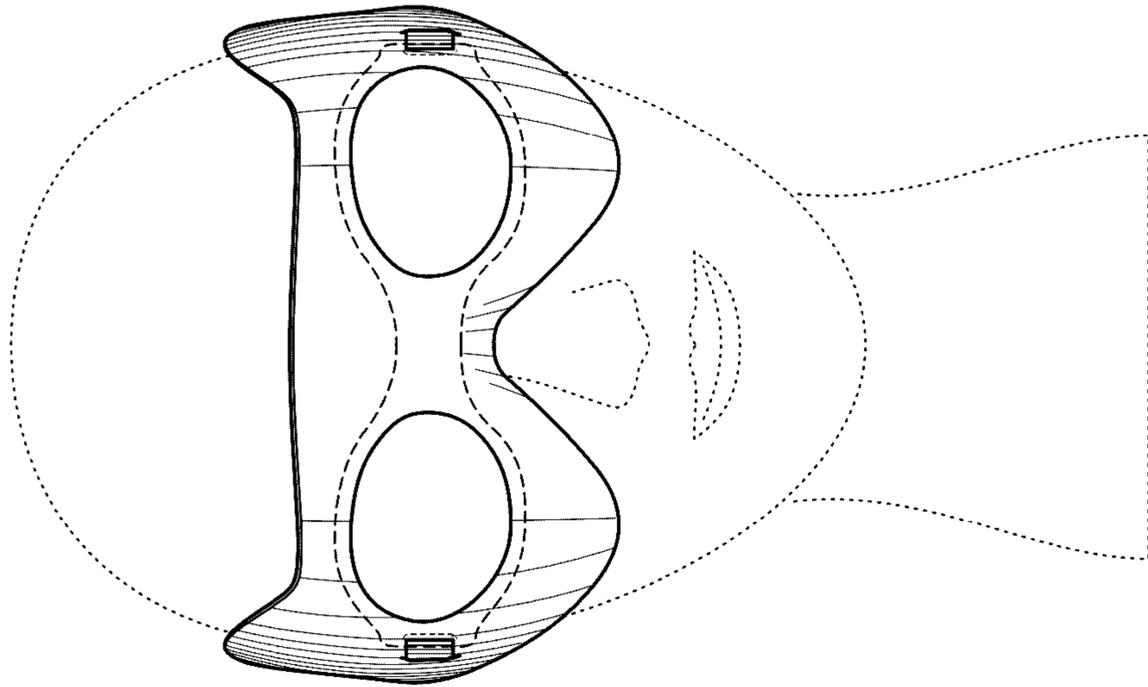


Fig. 3

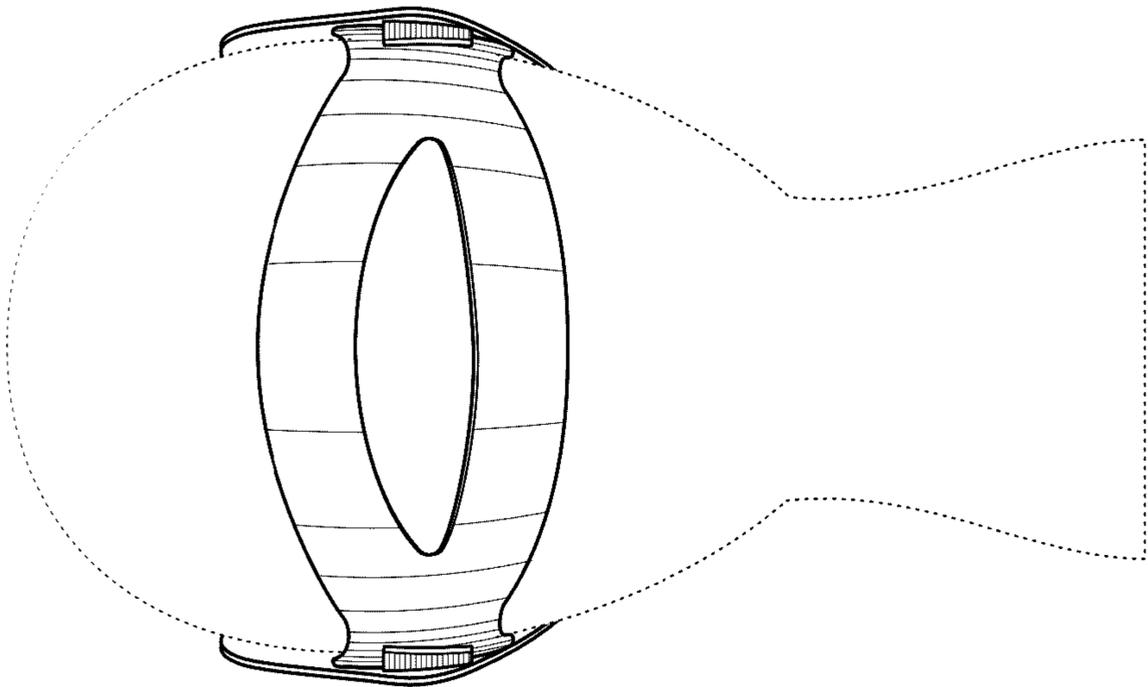


Fig. 2

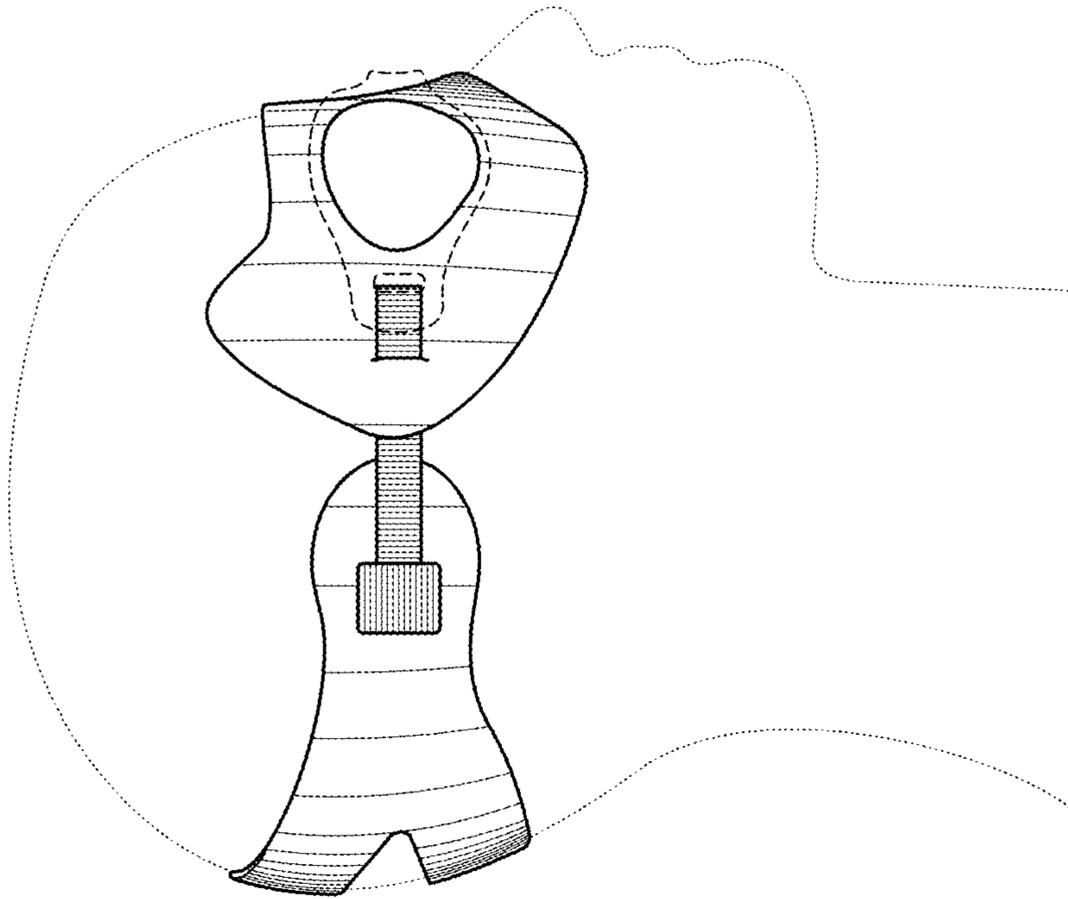


Fig. 5

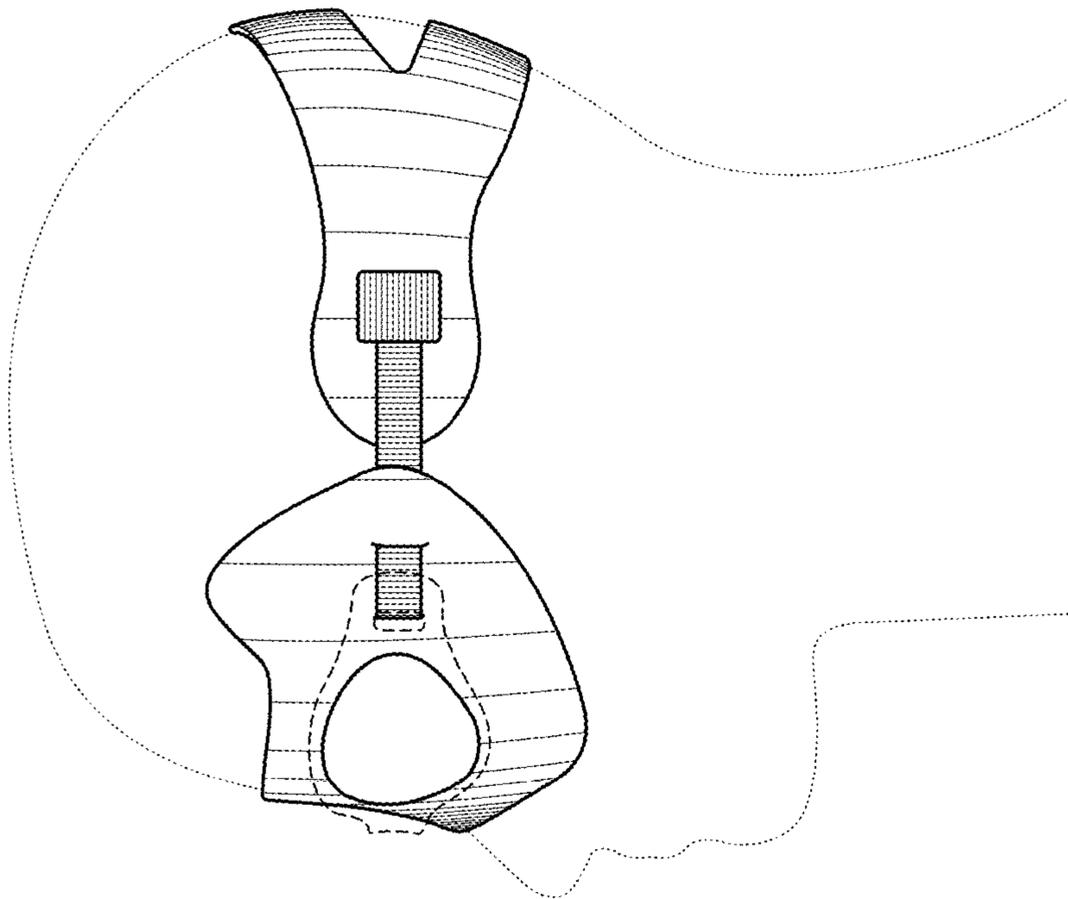


Fig. 4

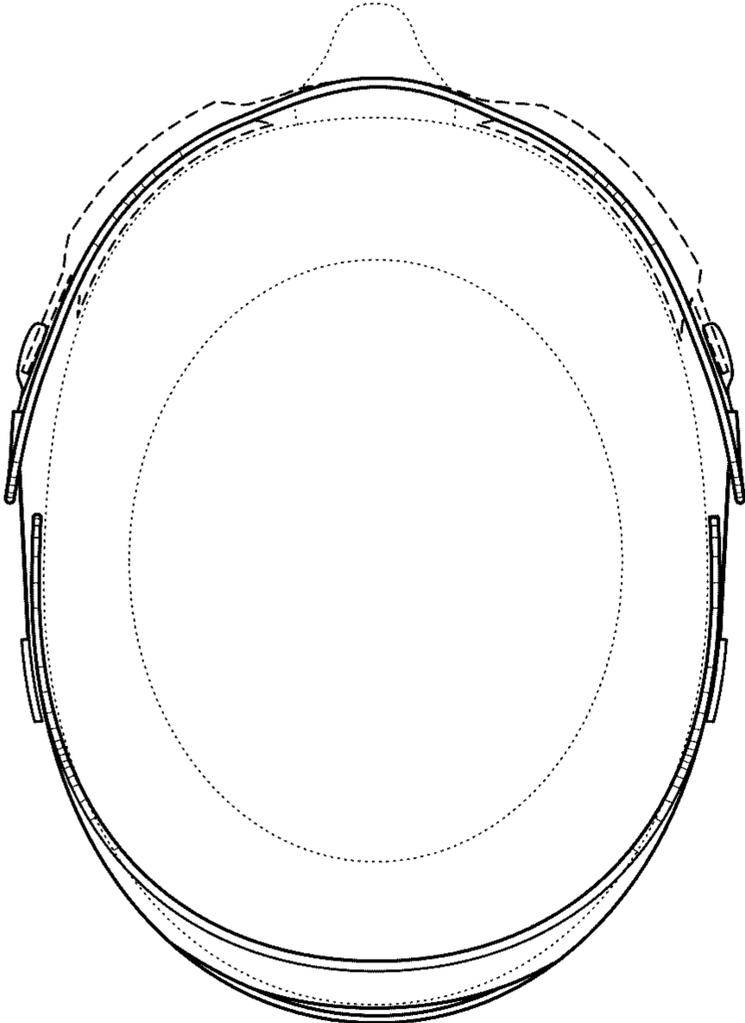


Fig. 7

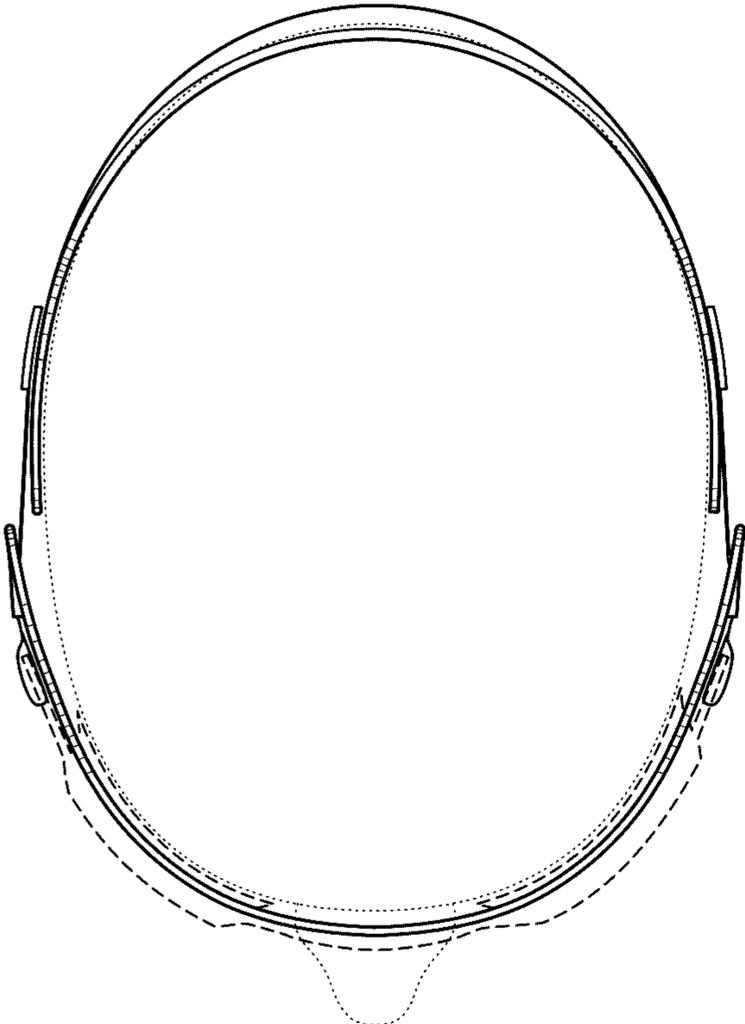


Fig. 6