



US00D772326S

(12) **United States Design Patent** (10) **Patent No.:** **US D772,326 S**
Zheng et al. (45) **Date of Patent:** **** Nov. 22, 2016**

(54) **STAND**
(71) Applicant: **SZ DJI Technology Co., Ltd.**,
Shenzhen, Guangdong (CN)
(72) Inventors: **Haibin Zheng**, Shenzhen (CN); **Min Kim**, Shenzhen (CN)
(73) Assignee: **SZ DJI TECHNOLOGY CO., LTD.**,
Shenzhen (CN)
(**) Term: **15 Years**
(21) Appl. No.: **29/540,664**
(22) Filed: **Sep. 25, 2015**
(51) **LOC (10) Cl.** **16-05**
(52) **U.S. Cl.**
USPC **D16/244**
(58) **Field of Classification Search**
USPC D16/237, 242–245, 202, 203, 241, 207;
D8/354, 355, 363; 396/419, 420, 428;
D12/114, 223
CPC F16M 11/14; F16M 11/041; F16M 11/04;
F16M 11/2078; F16M 11/28; F16M 11/2021;
F16M 11/12; F16M 11/10; F16M 2200/022;
F16M 2200/027; F16M 13/00; F16M 13/02;
F16M 13/022; G03B 17/561; G03B 17/566;
G03B 17/563; G03B 2215/056; B60R
2011/0059; B60R 2011/008; B60R 11/02
See application file for complete search history.

(56) **References Cited**
U.S. PATENT DOCUMENTS

D191,105 S * 8/1961 Lindenmayer D16/244
D221,693 S * 8/1971 Bradspies et al. D16/244
D221,900 S * 9/1971 Samuelson et al. D16/242
5,137,238 A * 8/1992 Hutten G03B 17/561
248/187.1
D394,265 S * 5/1998 Loo D14/224
D403,573 S * 1/1999 Garvey, III D8/354
D588,903 S * 3/2009 Carnevali D8/355
D595,565 S * 7/2009 Robertson D8/354
7,712,720 B1 * 5/2010 Cheng B60R 11/00
248/205.5

D649,865 S * 12/2011 English D8/363
D687,879 S * 8/2013 Greenthal D16/242
D707,283 S * 6/2014 Zhang D16/244
D709,547 S * 7/2014 Greenthal D16/245
D745,374 S * 12/2015 Liu D8/355
D754,233 S * 4/2016 Du D16/211
2006/0255218 A1 * 11/2006 Hsiung B60R 11/02
248/160
2007/0278373 A1 * 12/2007 Wang B60R 11/02
248/419
2009/0230262 A1 * 9/2009 Chiu G03B 17/561
248/206.3
2010/0042111 A1 * 2/2010 Qureshi F16M 11/14
606/130
2010/0224745 A1 * 9/2010 Orlov F16M 11/14
248/188.3
2015/0248048 A1 * 9/2015 Jung G03B 17/561
396/428

* cited by examiner

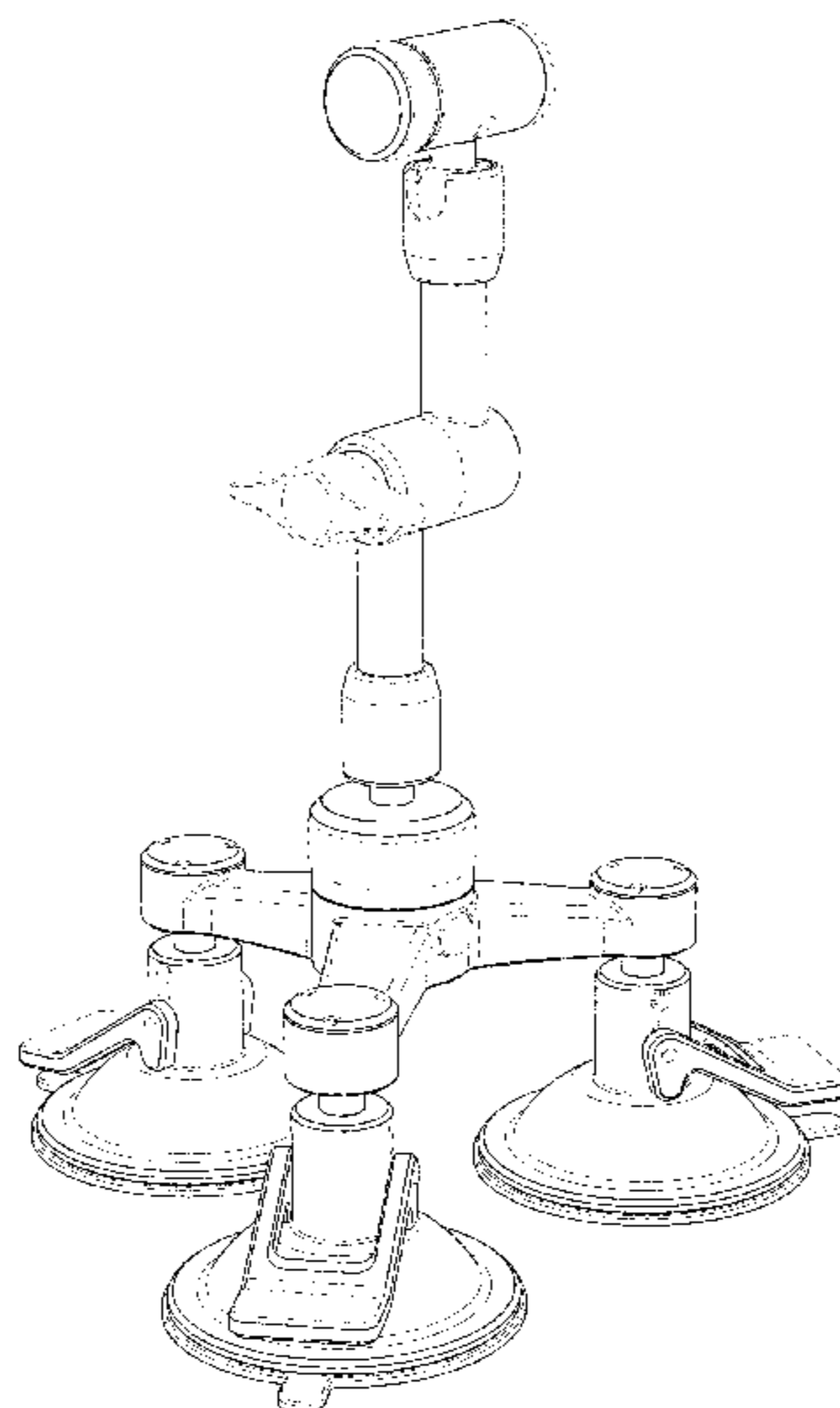
Primary Examiner — Susan Bennett Hattan
Assistant Examiner — Brett Miller
(74) *Attorney, Agent, or Firm* — Sterne, Kessler,
Goldstein & Fox P.L.L.C.

(57) **CLAIM**
The ornamental design for a stand, as shown and described.

DESCRIPTION

FIG. 1 is a top front perspective view of a stand showing the claimed design;
FIG. 2 is a bottom rear perspective view thereof;
FIG. 3 is a rear view thereof;
FIG. 4 is a front view thereof;
FIG. 5 is a right side view thereof;
FIG. 6 is a left side view thereof;
FIG. 7 is a top view thereof; and,
FIG. 8 is a bottom view thereof.
The broken lines in the figures show portions of the stand that form no part of claimed design.
The shade lines in the figures show contour and not surface ornamentation.

1 Claim, 8 Drawing Sheets



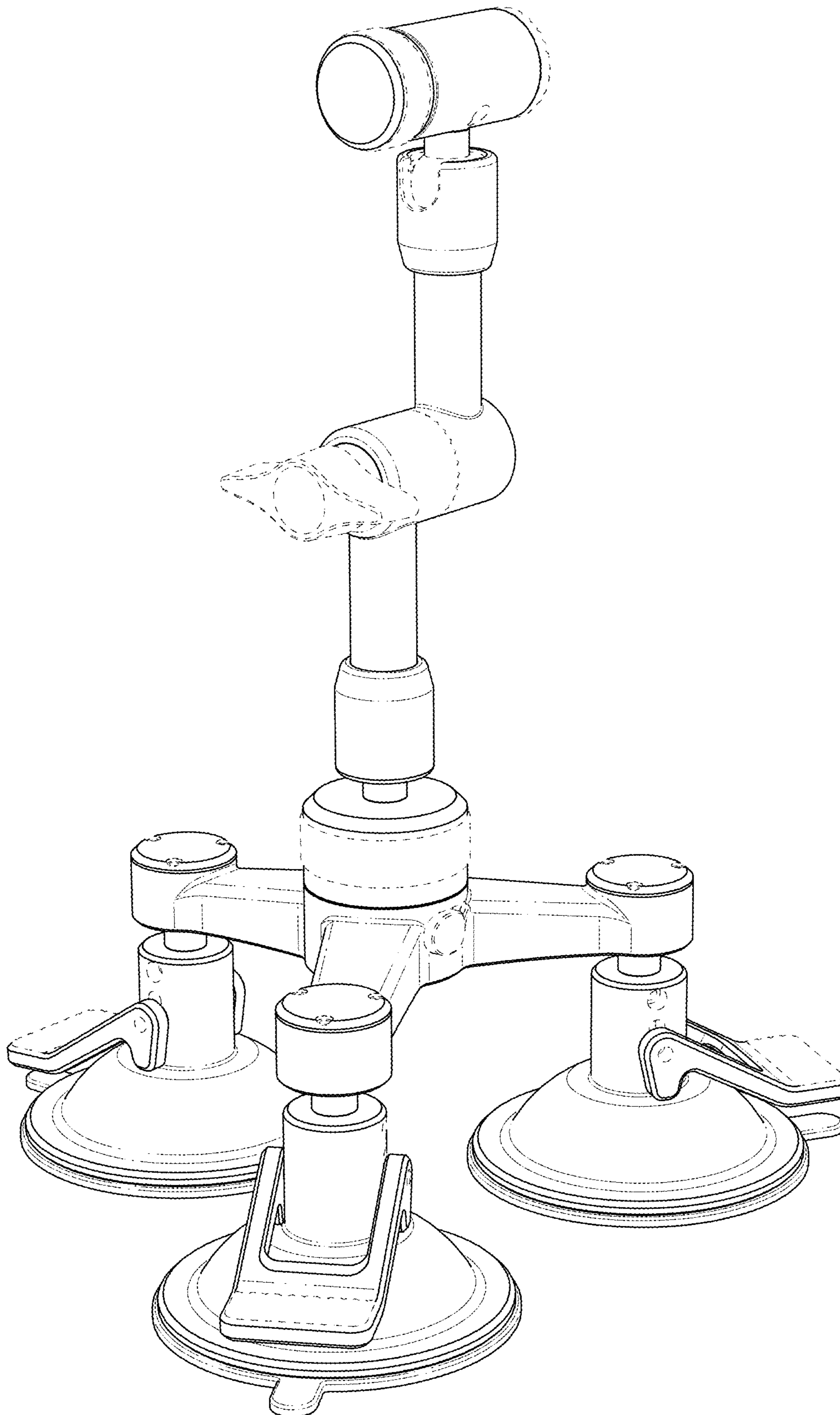


FIG. 1

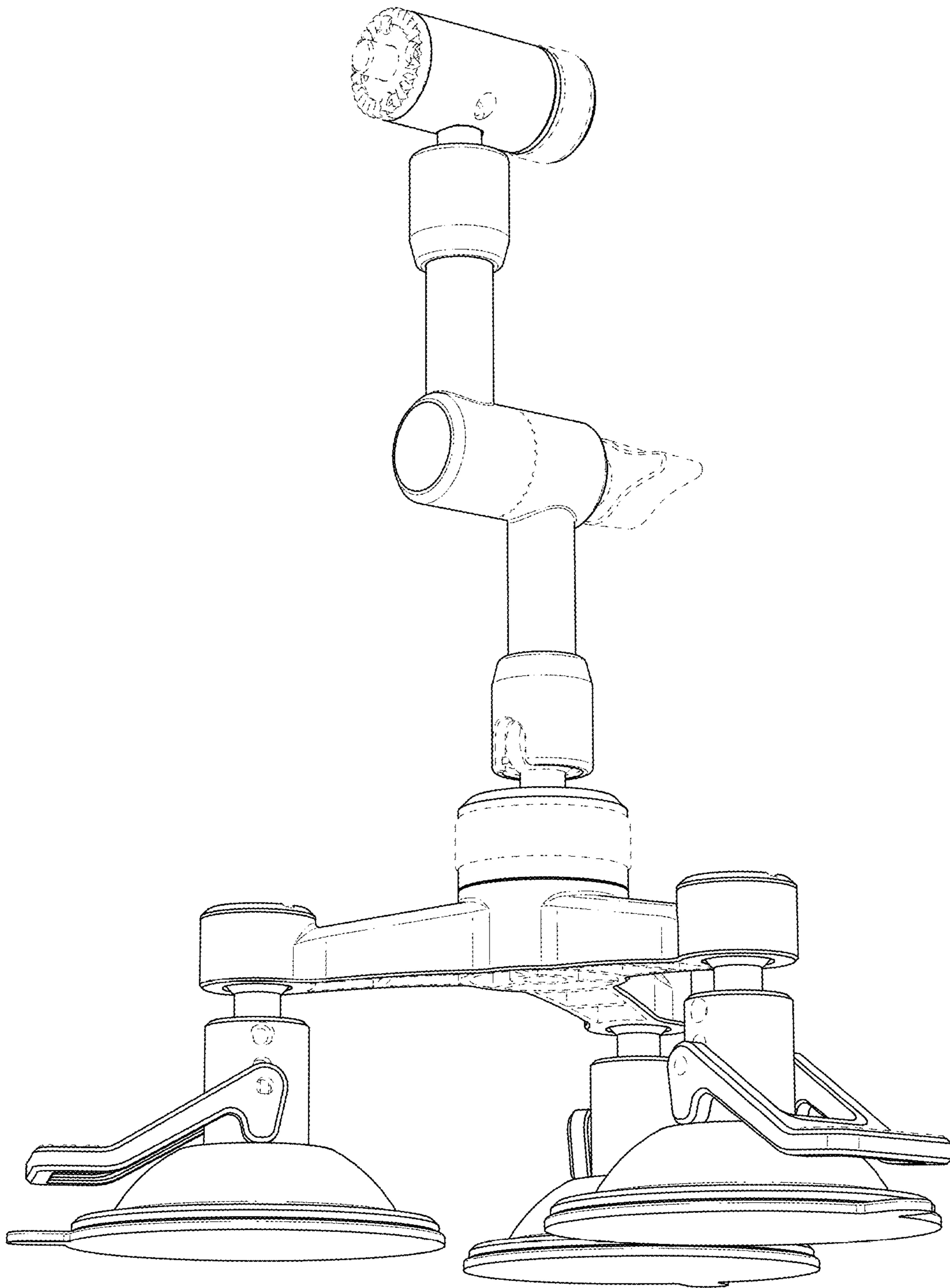


FIG. 2

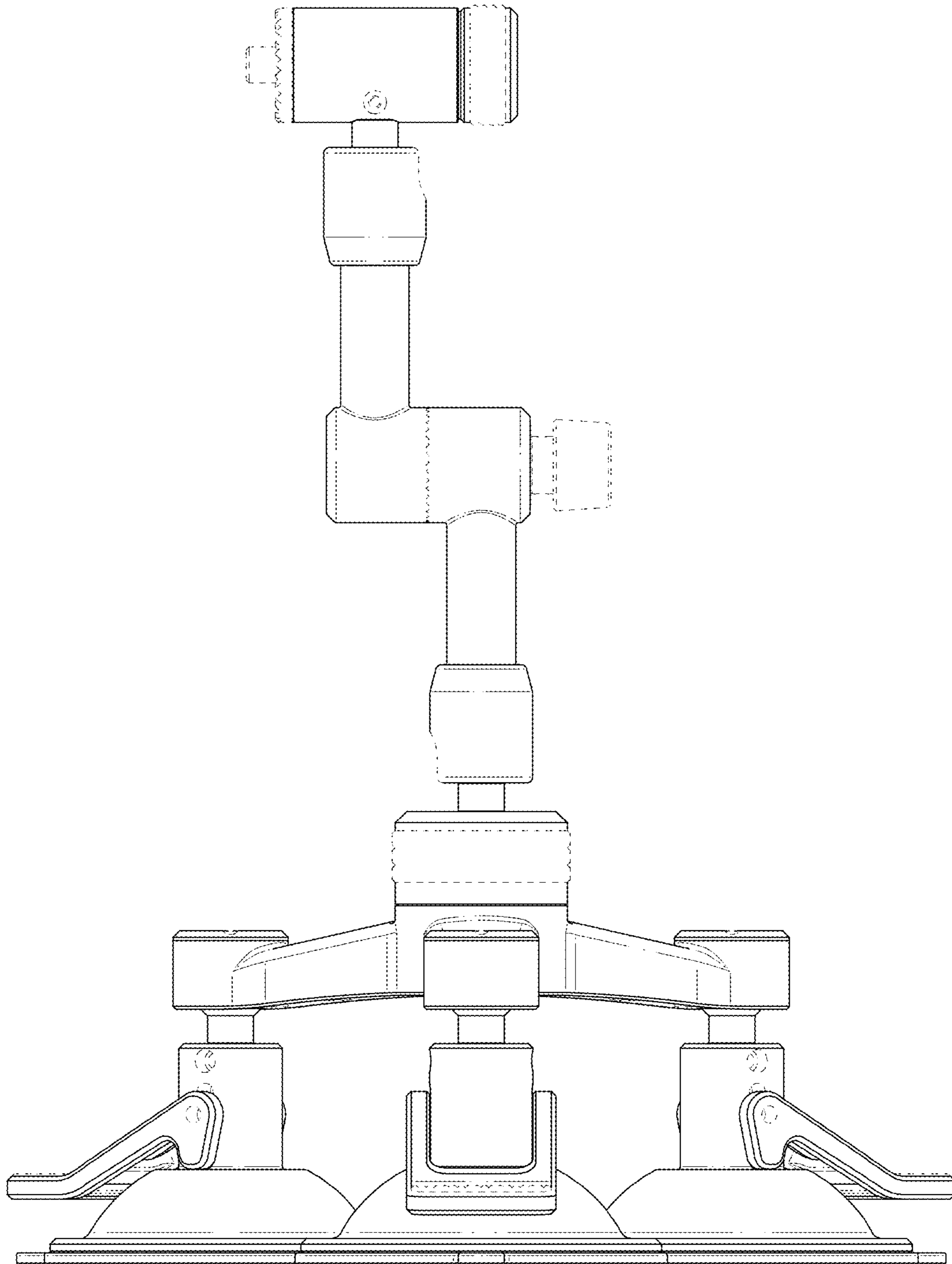


FIG. 3

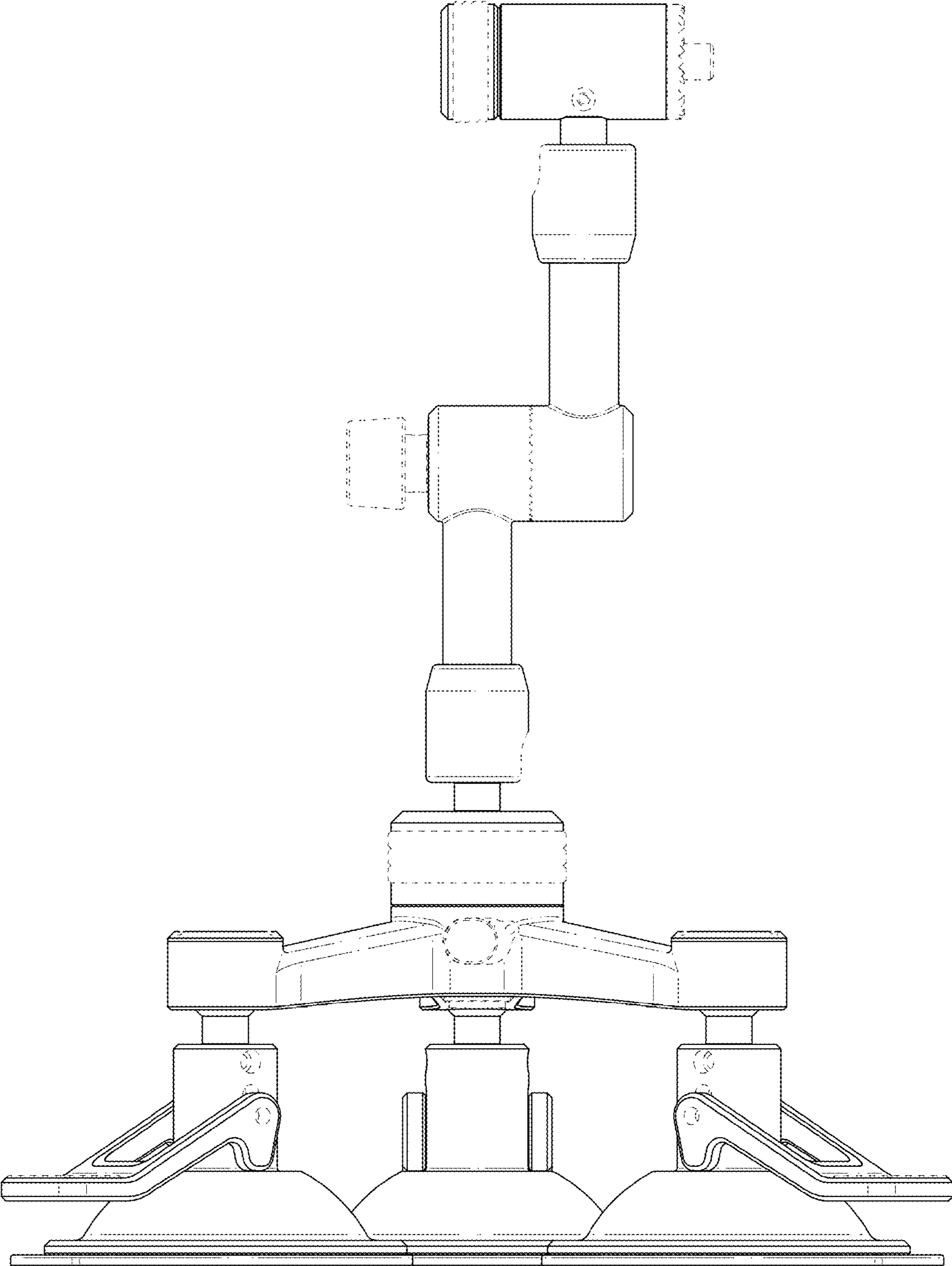


FIG. 4

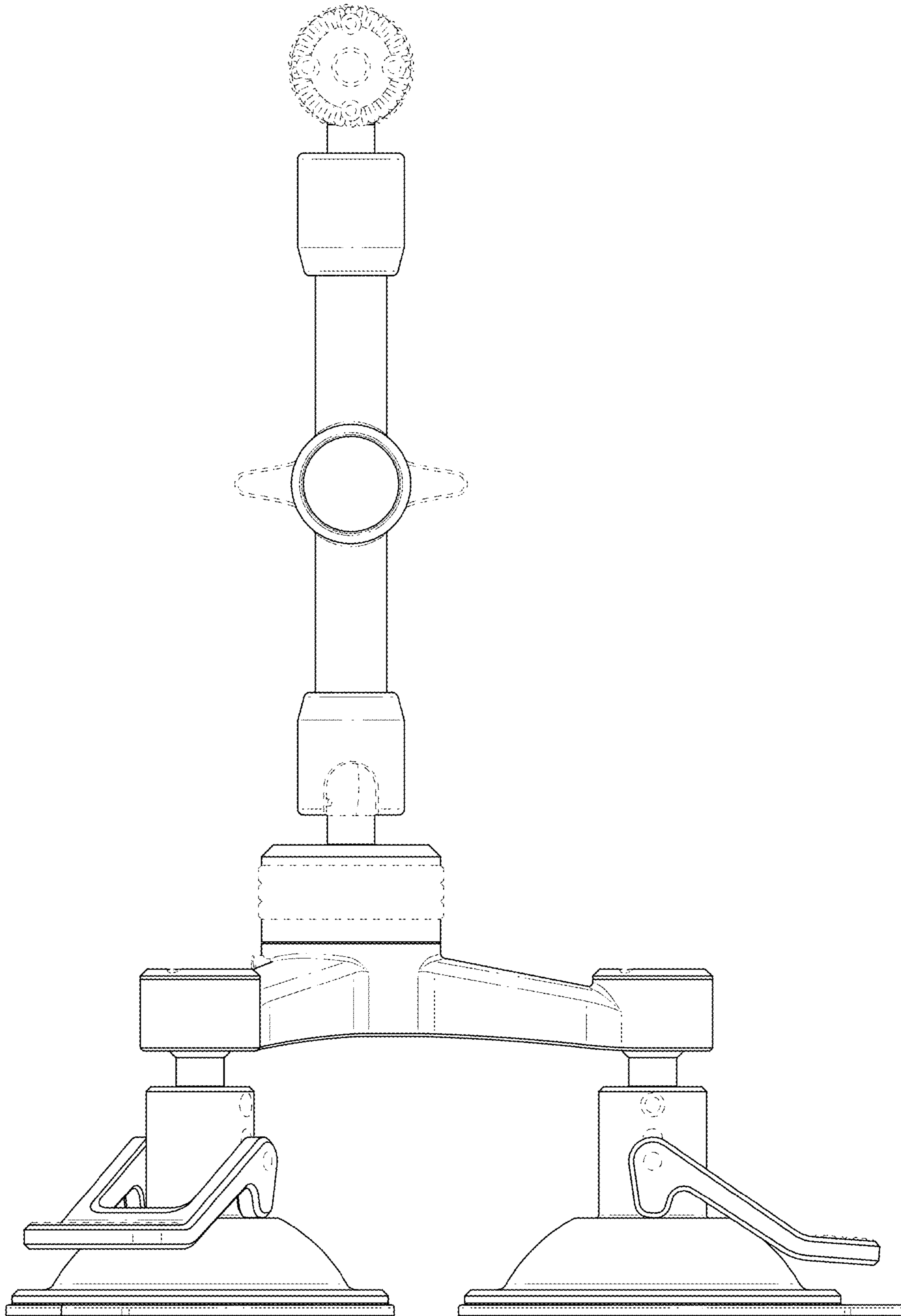


FIG. 5

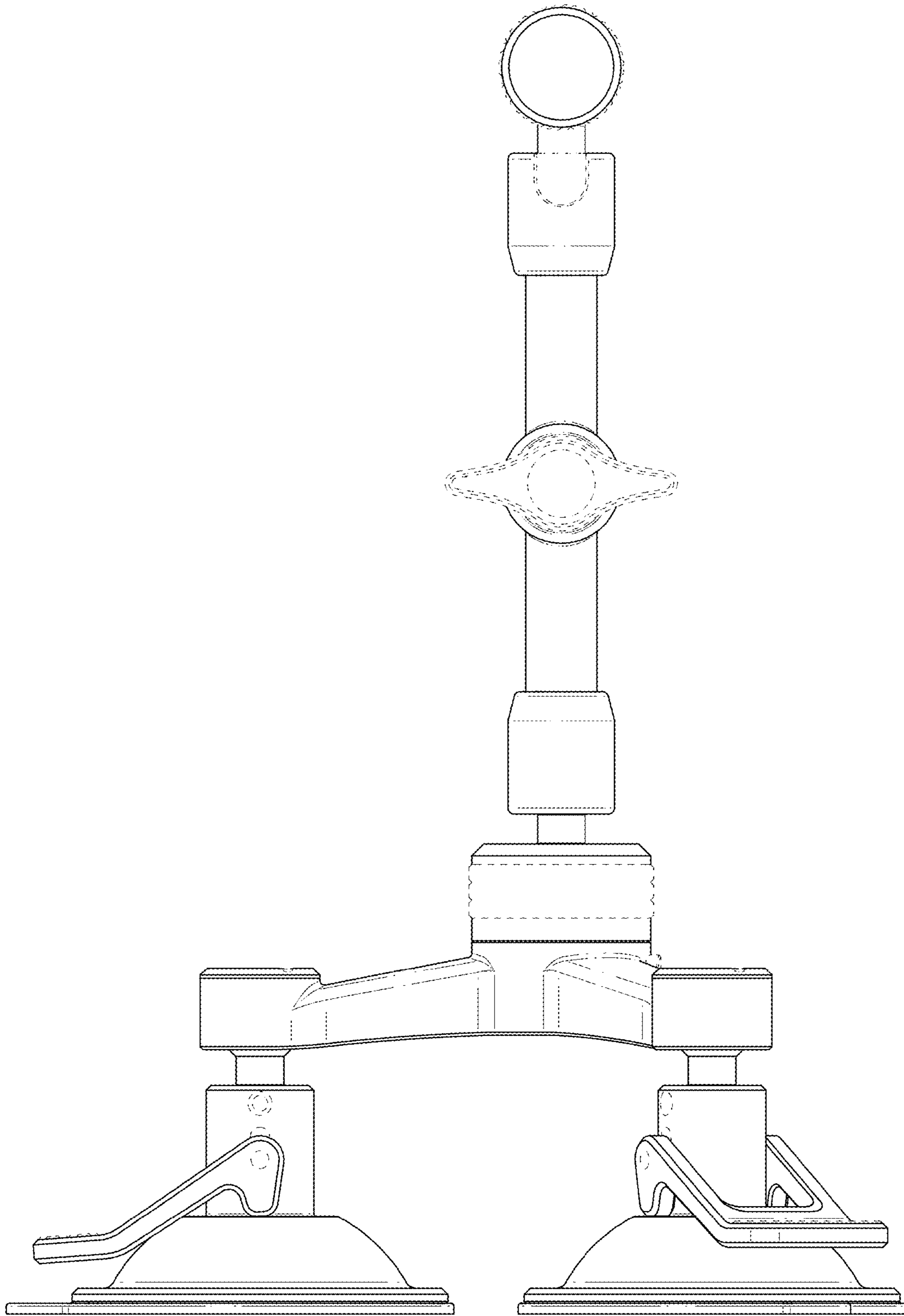


FIG. 6

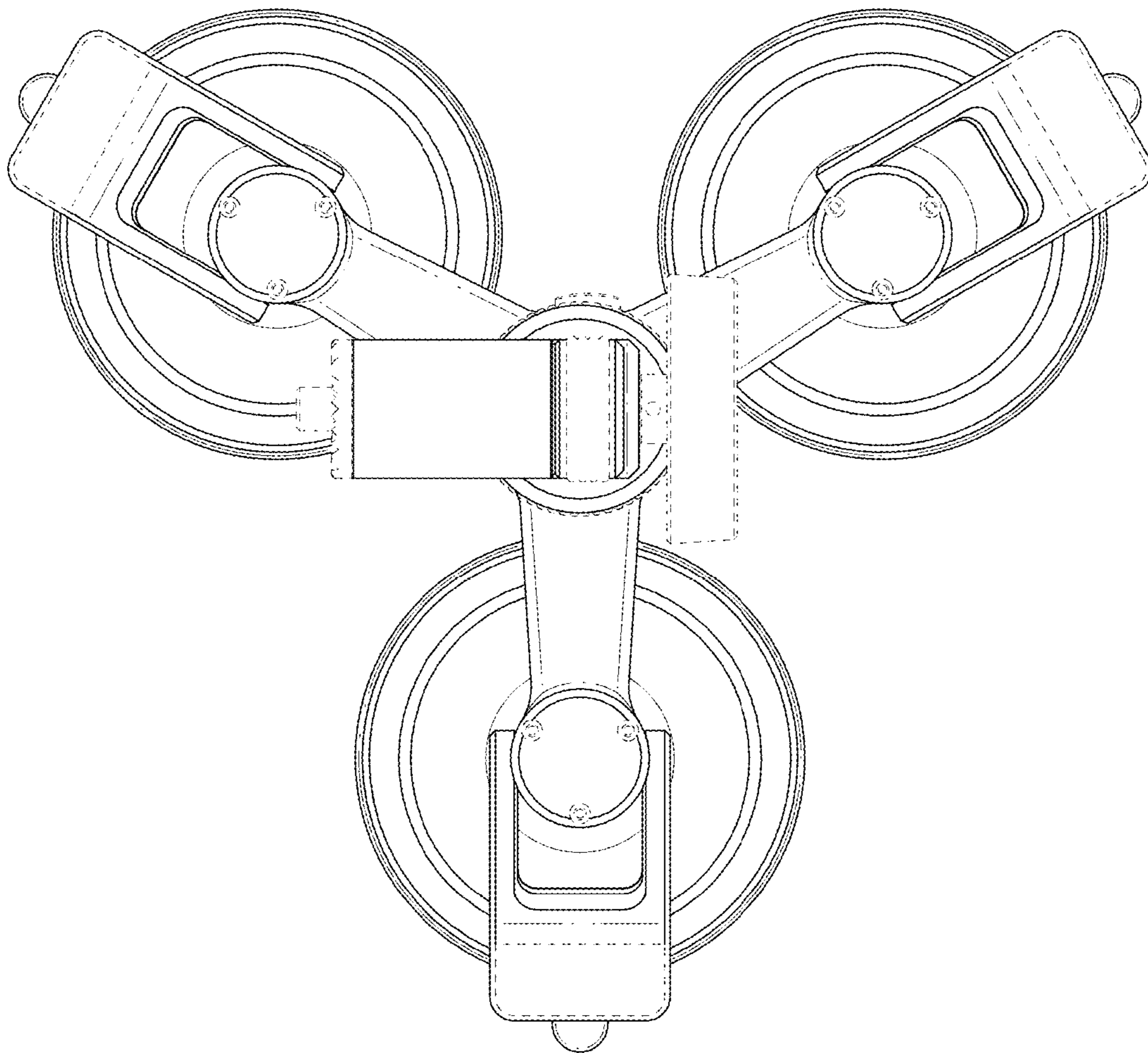


FIG. 7

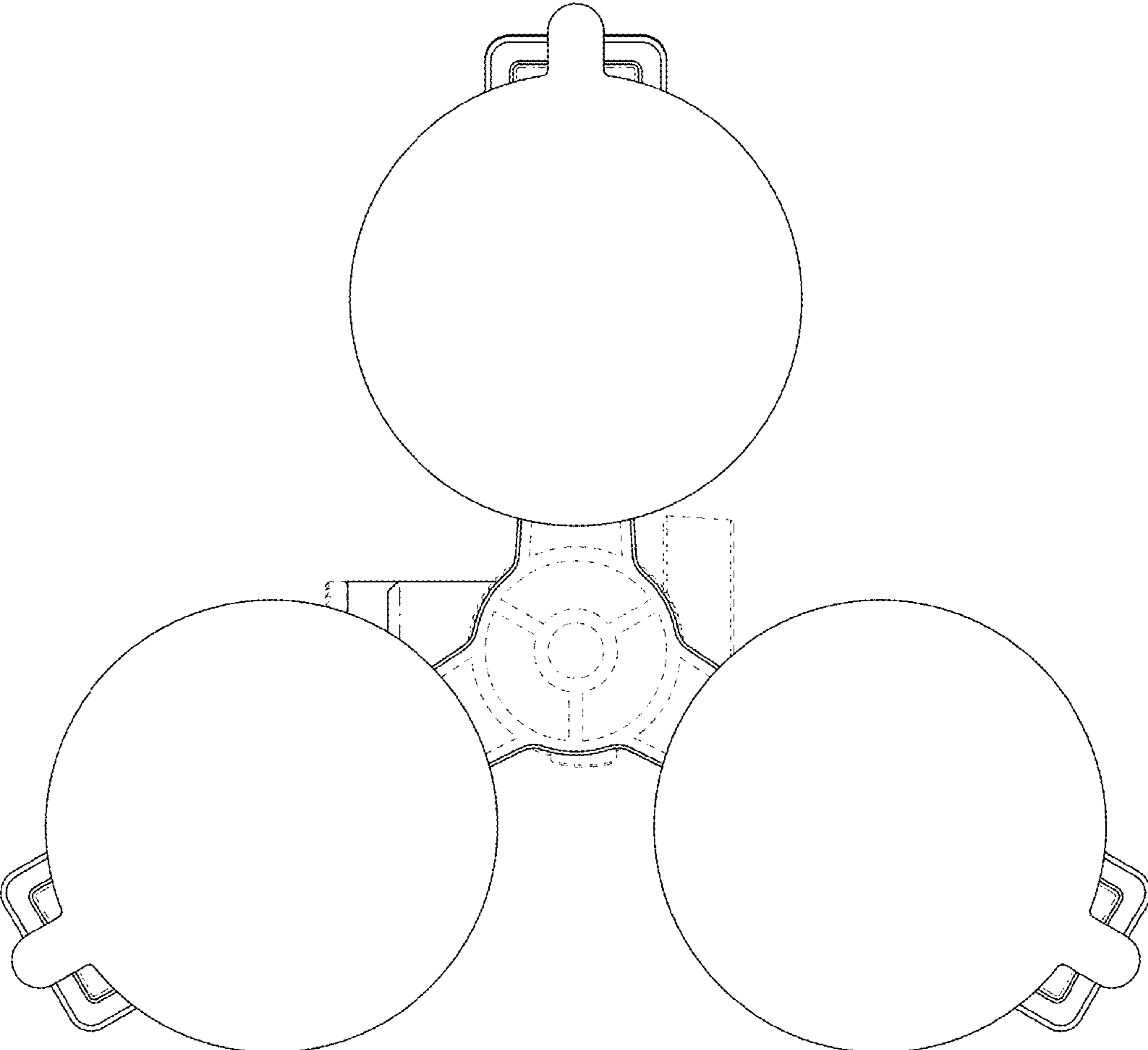


FIG. 8