



US00D772325S

(12) **United States Design Patent**
Hinkel

(10) **Patent No.:** **US D772,325 S**

(45) **Date of Patent:** **** Nov. 22, 2016**

- (54) **SURVEILLANCE CAMERA**
- (71) Applicant: **Ralf Hinkel**, Horingen (DE)
- (72) Inventor: **Ralf Hinkel**, Horingen (DE)
- (73) Assignee: **MOBOTIX AG**, Winnweiler (DE)
- (**) Term: **15 Years**
- (21) Appl. No.: **29/548,069**
- (22) Filed: **Dec. 10, 2015**

Related U.S. Application Data

- (62) Division of application No. 29/450,614, filed on Mar. 20, 2013, now Pat. No. Des. 759,142.

Foreign Application Priority Data

Sep. 21, 2012 (DE) 40 2012 004 445

- (51) **LOC (10) Cl.** **16-01**
- (52) **U.S. Cl.**
USPC **D16/203**
- (58) **Field of Classification Search**
USPC D16/200, 202-204, 207, 208, 210, 218,
D16/219, 222; D12/400; 340/937; 348/143,
348/148, 151, 360, 373-376; 396/427, 429,
396/529, 535, 539-541; 359/826-828
CPC G03B 15/03; G03B 17/02; G03B 17/04;
G03B 17/48; G03B 17/56; G03B 19/04;
G08G 1/0175; H04N 5/2251; H04N 5/2252;
H04N 5/2253; H04N 5/2254; H04N 2101/00
See application file for complete search history.

References Cited

U.S. PATENT DOCUMENTS

6,115,197 A	9/2000	Funahashi
D455,166 S	4/2002	Raad et al.
6,860,654 B1	3/2005	Ching-Wen
D523,057 S	6/2006	Watanabe
D554,168 S	10/2007	Shi et al.

7,520,686 B2 *	4/2009	Droege	G03B 17/02	348/143
D598,039 S	8/2009	Owada			
7,604,423 B2 *	10/2009	Nagata	G03B 19/07	348/375
D610,186 S	2/2010	Jannard et al.			
D664,580 S	7/2012	Sigward			
D686,267 S *	7/2013	Mihara	D16/202	
8,587,715 B2 *	11/2013	Takeda	H04N 13/0239	348/231.4
D702,750 S	4/2014	Yoon			
D704,759 S	5/2014	Park et al.			
D711,451 S *	8/2014	Katsuyama	D16/208	
D730,967 S	6/2015	O'Neill et al.			
D730,968 S	6/2015	O'Neill et al.			
D750,681 S *	3/2016	Takami	D16/202	
D751,129 S *	3/2016	Lellky	D16/203	
2010/0123819 A1 *	5/2010	Yu	H04N 5/2254	348/360
2011/0199485 A1 *	8/2011	Nakamura	G02B 13/001	348/148
2013/0335568 A1 *	12/2013	Tang	H04N 5/772	348/148

* cited by examiner

Primary Examiner — Susan E Krakower

Assistant Examiner — Ramzi Almatrahi

(74) *Attorney, Agent, or Firm* — Salter & Michaelson

(57) **CLAIM**

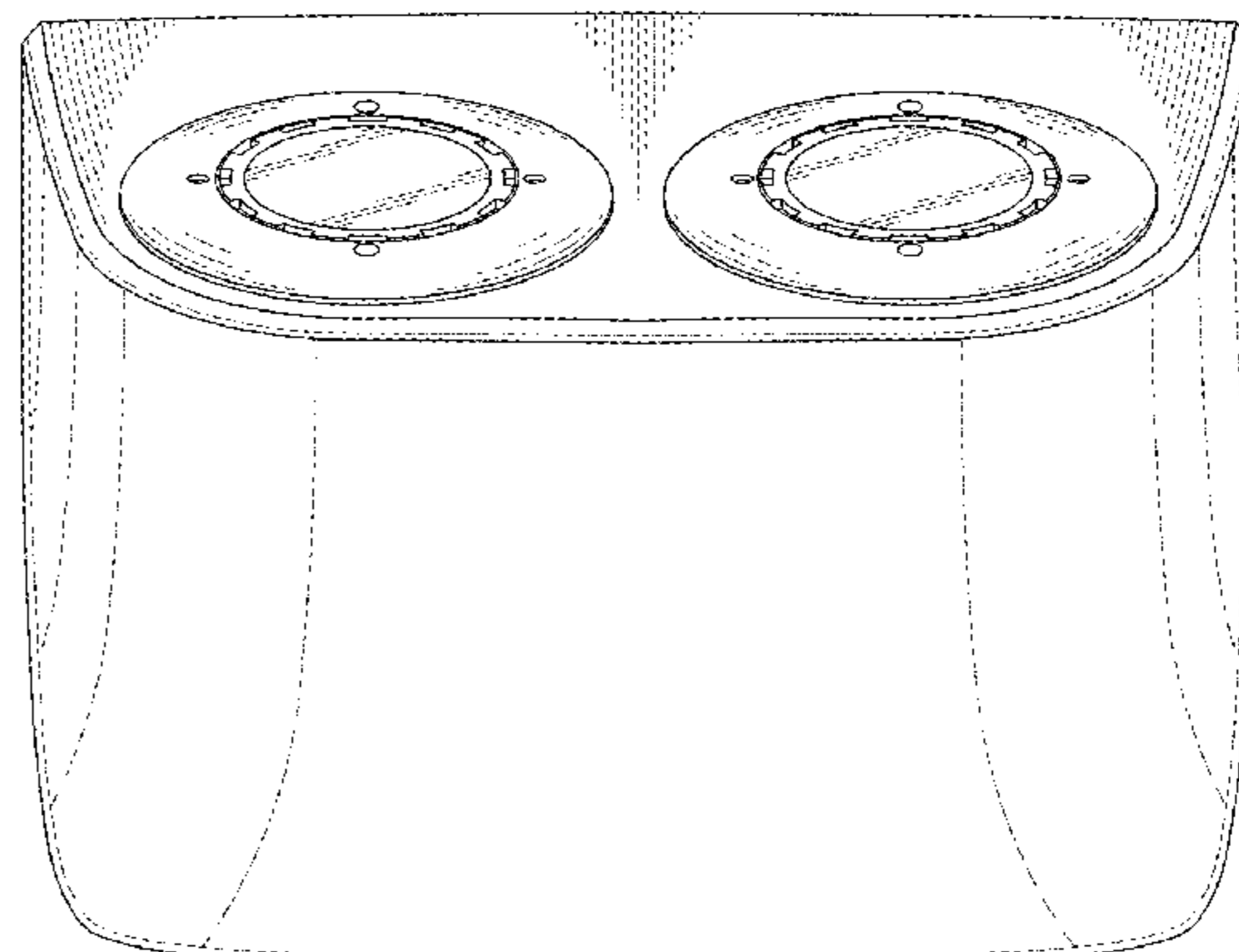
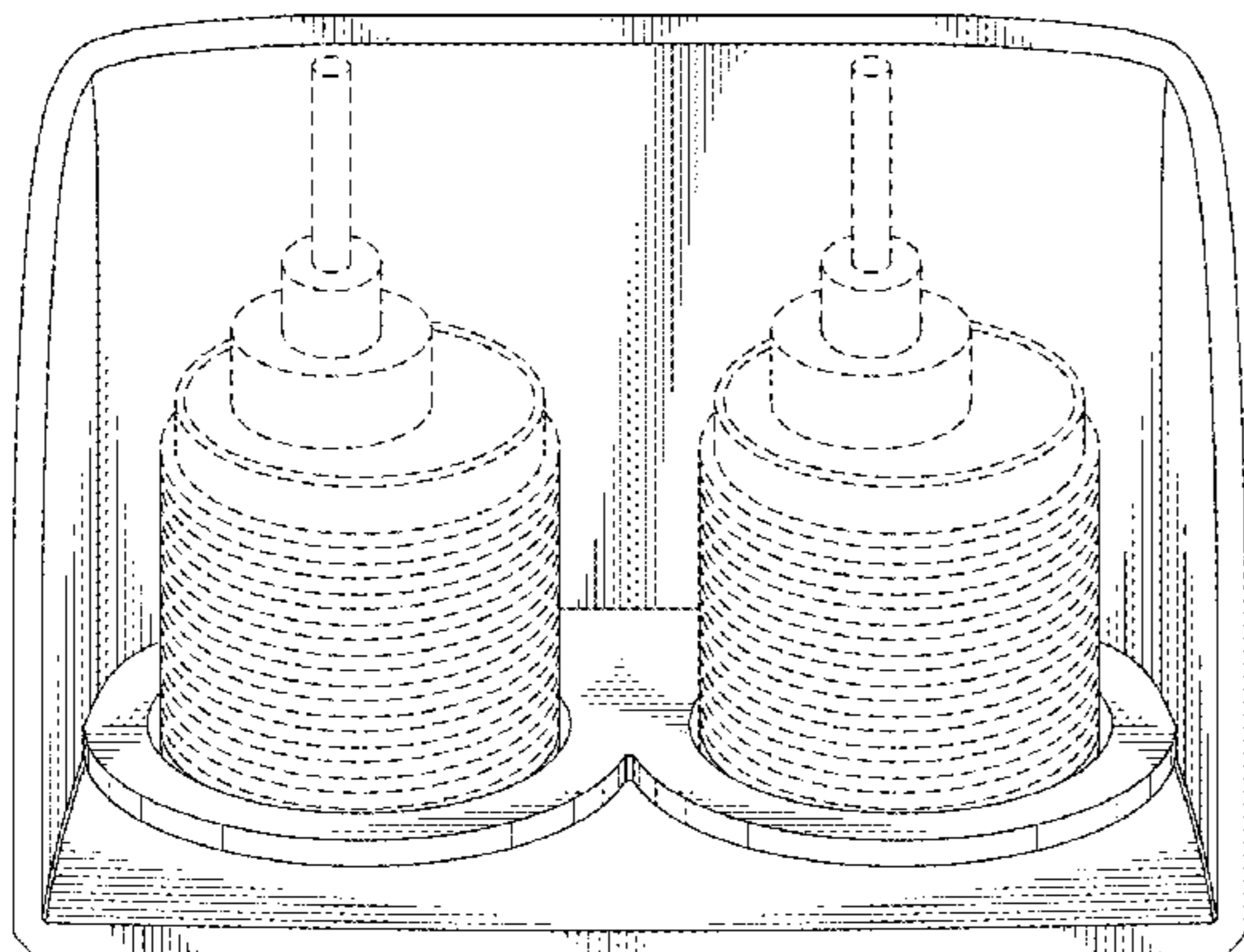
The ornamental design for a surveillance camera, as shown and described.

DESCRIPTION

FIG. 1 is a front elevational view of a surveillance camera; FIG. 2 is a rear elevational view thereof; FIG. 3 is a left side elevational view thereof; FIG. 4 is a right side elevational view thereof; FIG. 5 is a top plan view thereof; and, FIG. 6 is a bottom plan view thereof.

The broken lines depict portions of a surveillance camera in which the design is embodied and form no part of the claimed design.

1 Claim, 6 Drawing Sheets



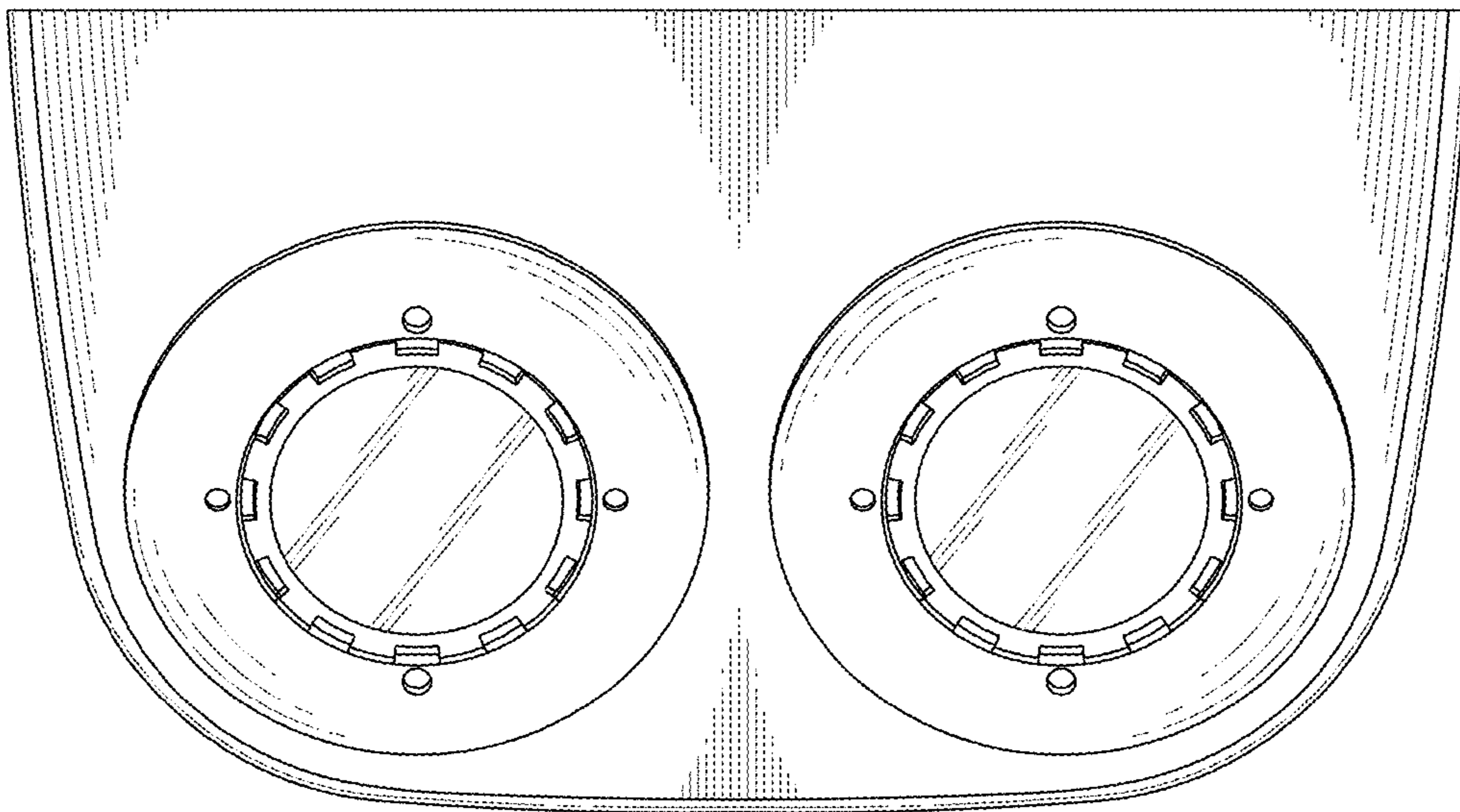


FIG. 1

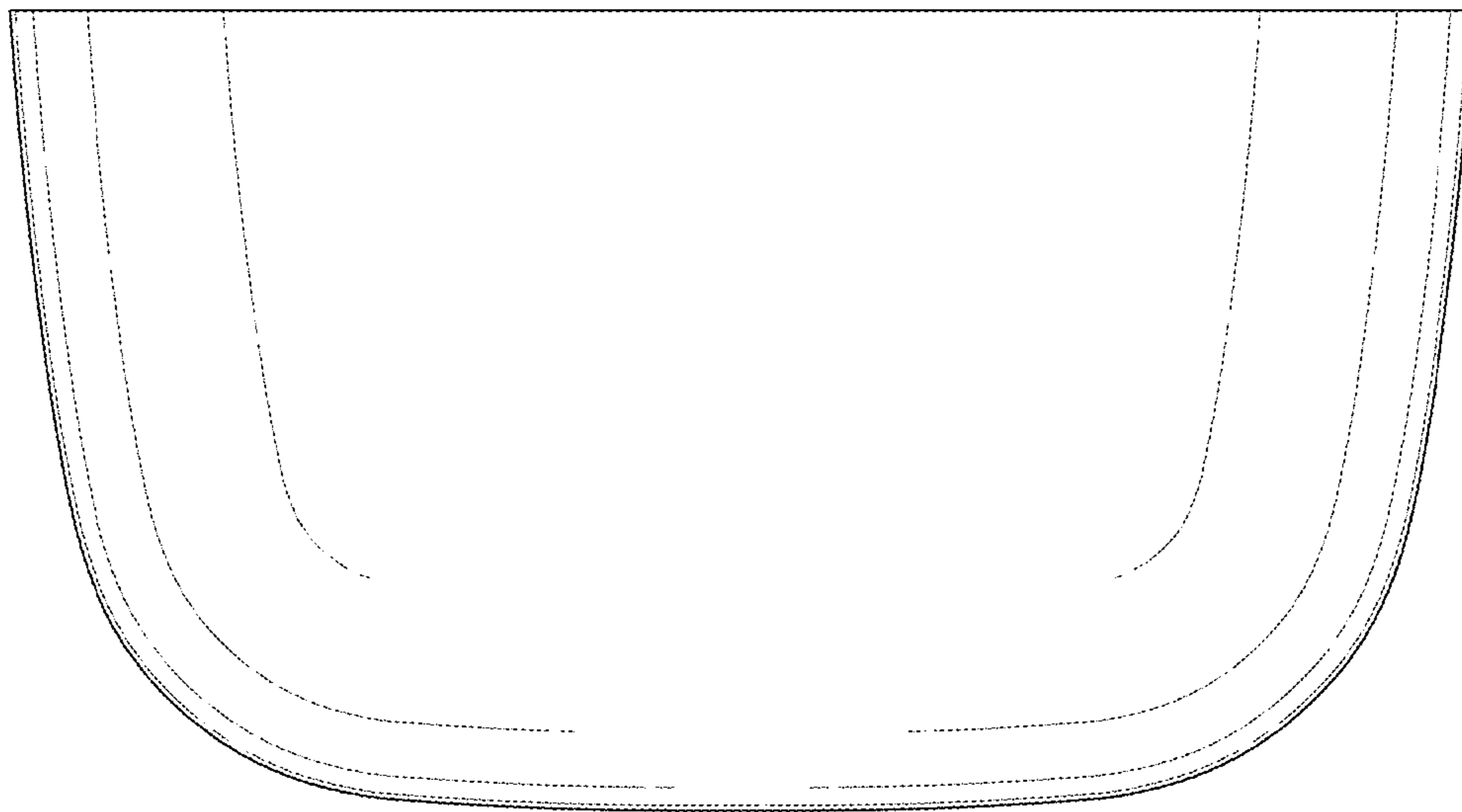


FIG. 2

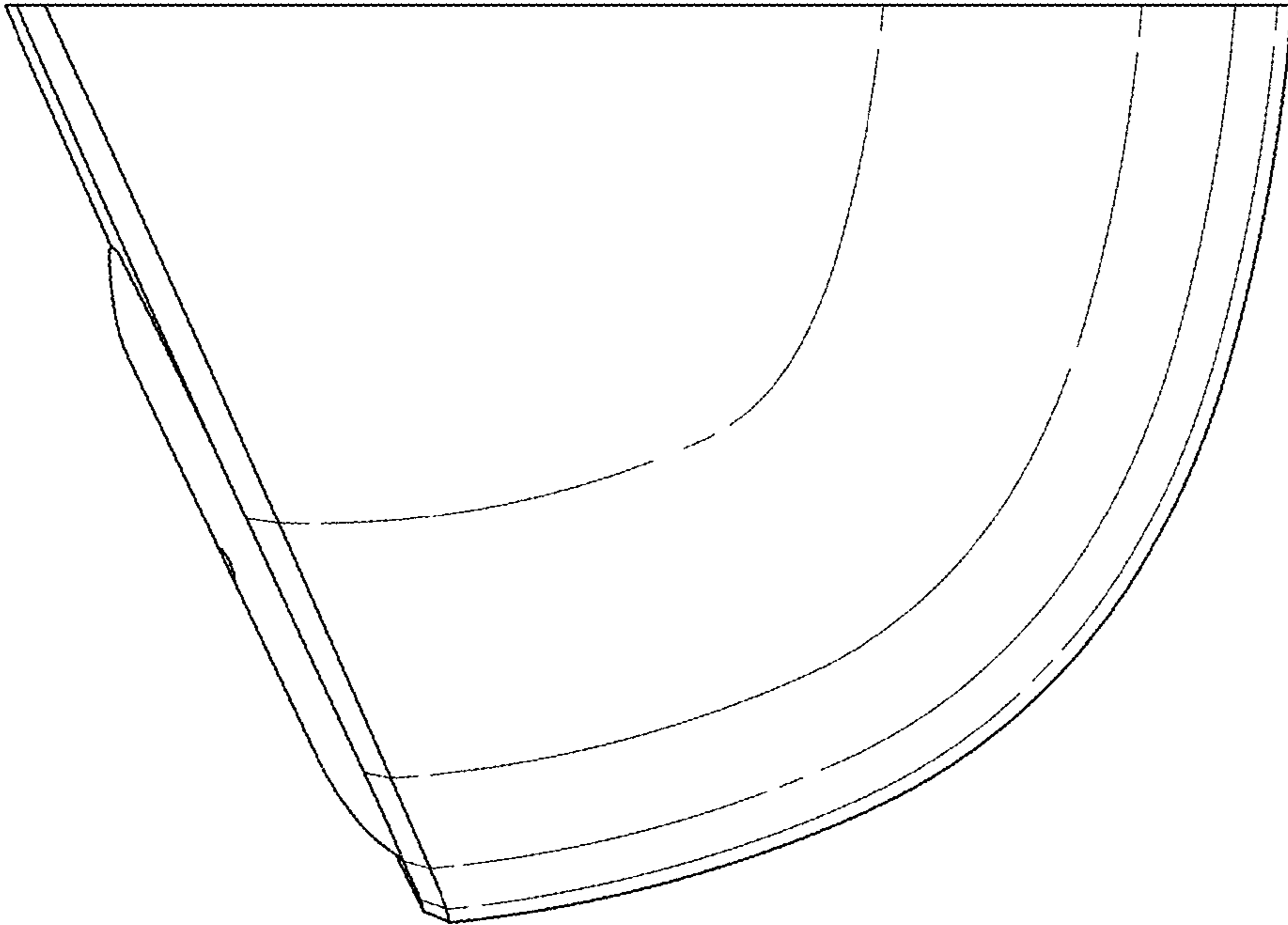


FIG. 3

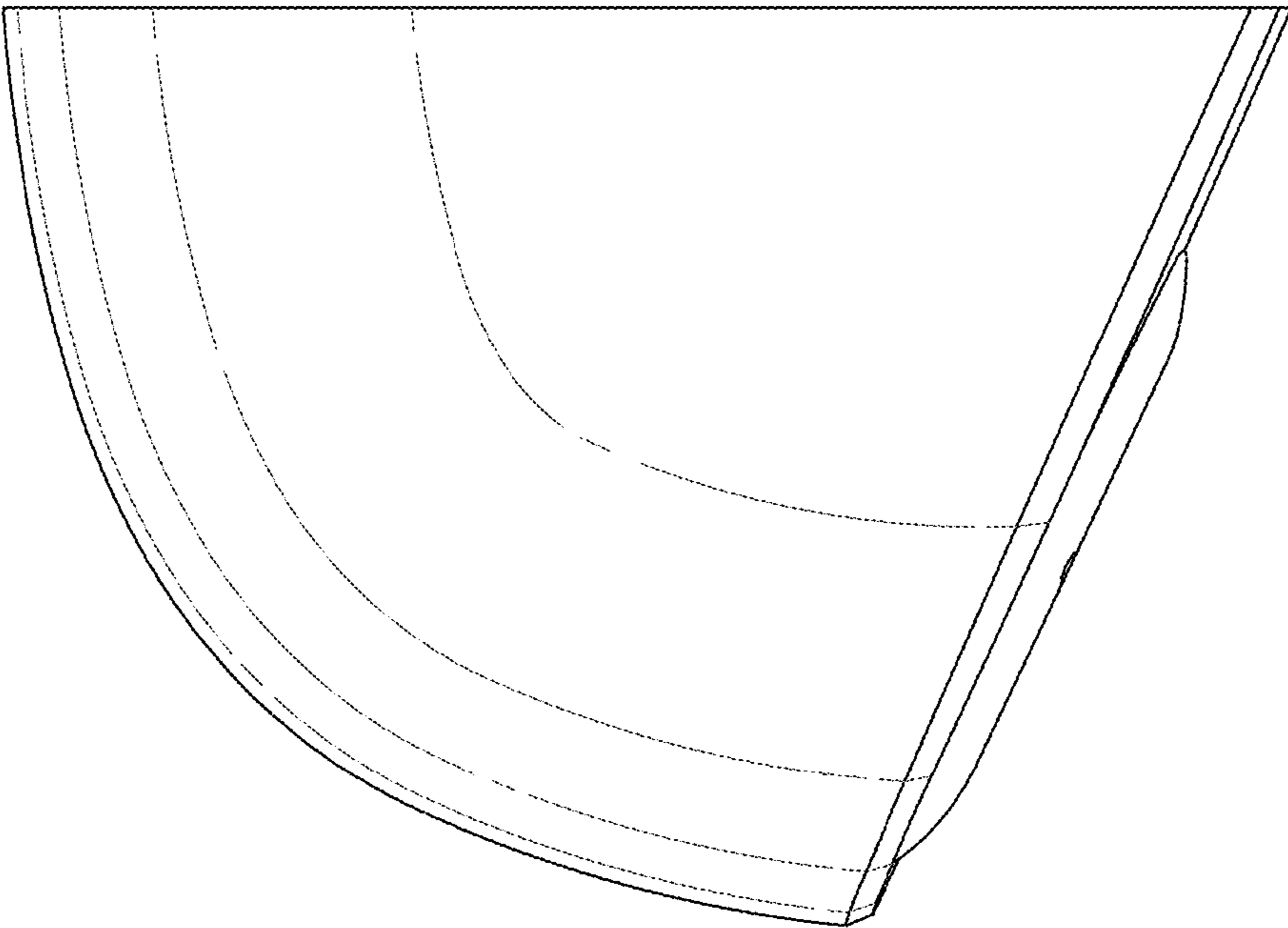


FIG. 4

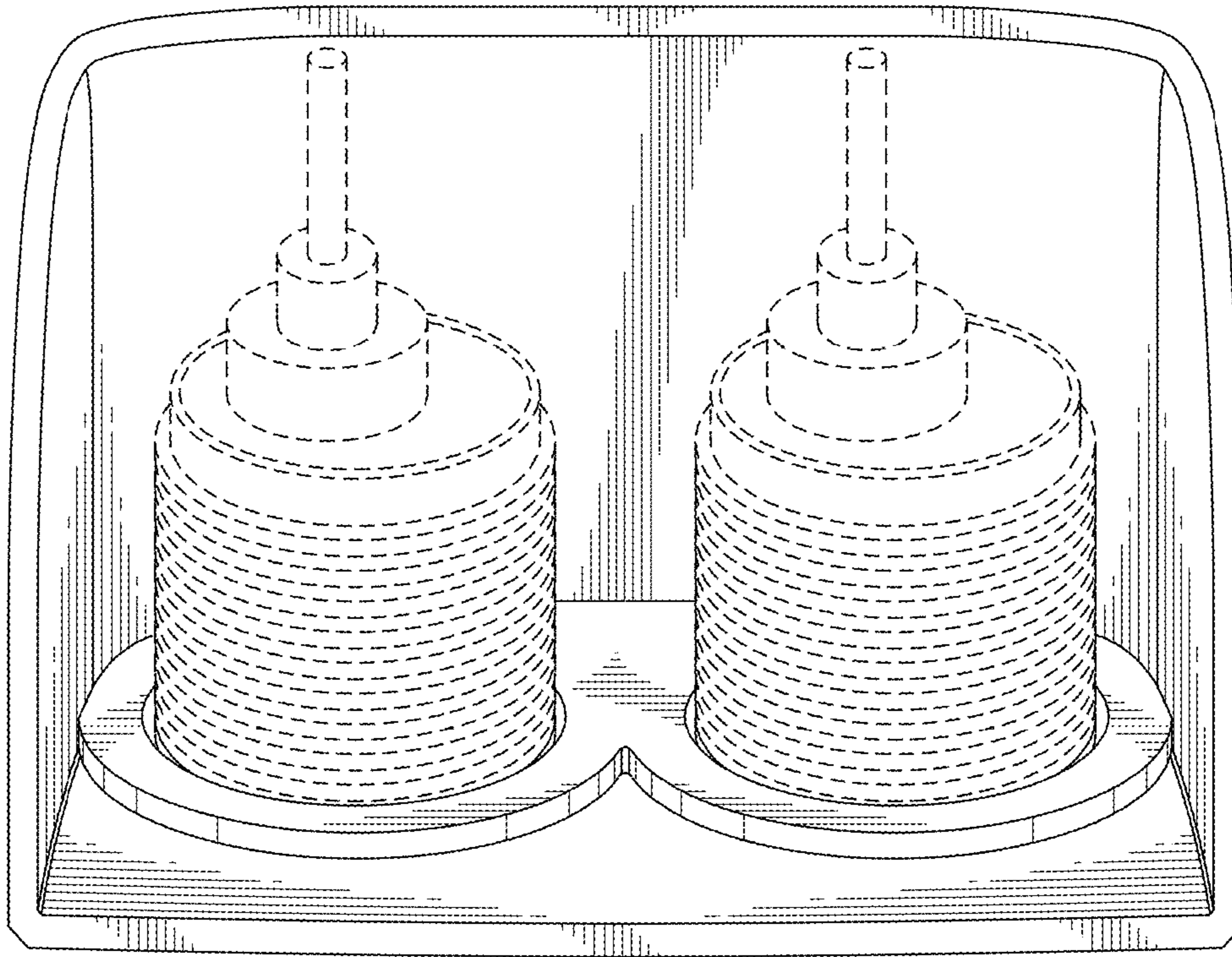


FIG. 5

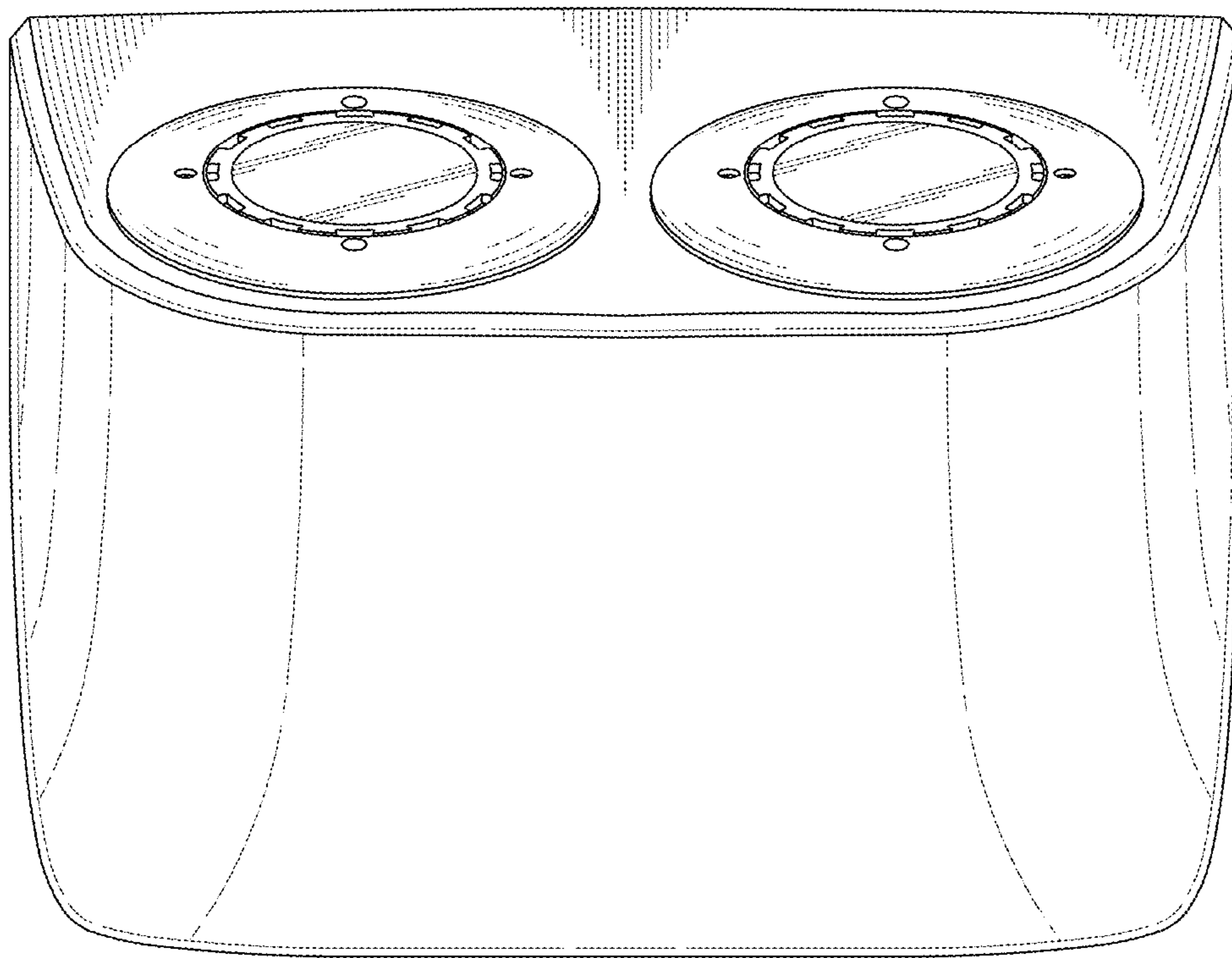


FIG. 6