



US00D772322S

(12) **United States Design Patent**
Zhang

(10) **Patent No.:** **US D772,322 S**

(45) **Date of Patent:** **** Nov. 22, 2016**

(54) **WATERPROOF CASE FOR CAMERA**

(71) Applicant: **Shenzhen AEE Technology Co., Ltd.**,
Shenzhen, Guangdong (CN)

(72) Inventor: **Xianzhi Zhang**, Shenzhen (CN)

(73) Assignee: **SHENZHEN AEE TECHNOLOGY**
CO., LTD, Shenzhen (CN)

(**) Term: **14 Years**

(21) Appl. No.: **29/489,890**

(22) Filed: **May 5, 2014**

(30) **Foreign Application Priority Data**

Nov. 6, 2013 (CN) 2013 3 0530187

(51) **LOC (10) Cl.** **16-01**

(52) **U.S. Cl.**
USPC **D16/200**

(58) **Field of Classification Search**

USPC D3/267; D16/200, 202-204, 208, 211,
D16/218, 219, 242; 248/176.1, 187.1;
348/81, 373-376; 396/25, 27, 29, 419,
396/535, 539-541; 206/316.2

CPC G03B 15/03; G03B 17/02; G03B 17/04;
G03B 17/08; G03B 17/56; G03B 19/04;
H04N 5/2251; H04N 5/2252; H04N 5/2253;
H04N 5/2254; A45C 11/38

See application file for complete search history.

(56) **References Cited**

U.S. PATENT DOCUMENTS

D419,296 S *	1/2000	Shinano	D16/204
D453,177 S *	1/2002	Uehara	D16/202
D621,432 S *	8/2010	Yim	D16/204
D646,313 S *	10/2011	Woodman	D16/200
D647,554 S *	10/2011	Yim	D16/204
D657,808 S *	4/2012	Woodman	D16/200
D674,428 S *	1/2013	Woodman	D16/207
D674,429 S *	1/2013	Woodman	D16/207

(Continued)

Primary Examiner — Susan E Krakower

Assistant Examiner — Ramzi Almatrahi

(57) **CLAIM**

The ornamental design for a waterproof case for camera, as shown and described.

DESCRIPTION

FIG. 1 is a front view of a first embodiment of a waterproof case for camera of my new design;

FIG. 2 is a rear view of the first embodiment of the waterproof case for camera;

FIG. 3 is a left side view of the first embodiment of the waterproof case for camera;

FIG. 4 is a right side view of the first embodiment of the waterproof case for camera;

FIG. 5 is a top view of the first embodiment of the waterproof case for camera;

FIG. 6 is a bottom view of the first embodiment of the waterproof case for camera;

FIG. 7 is a perspective view of the first embodiment of the waterproof case for camera;

FIG. 8 is a front view of a second embodiment of a waterproof case for camera of my new design;

FIG. 9 is a rear view of the second embodiment of the waterproof case for camera;

FIG. 10 is a left side view of the second embodiment of the waterproof case for camera;

FIG. 11 is a right side view of the second embodiment of the waterproof case for camera;

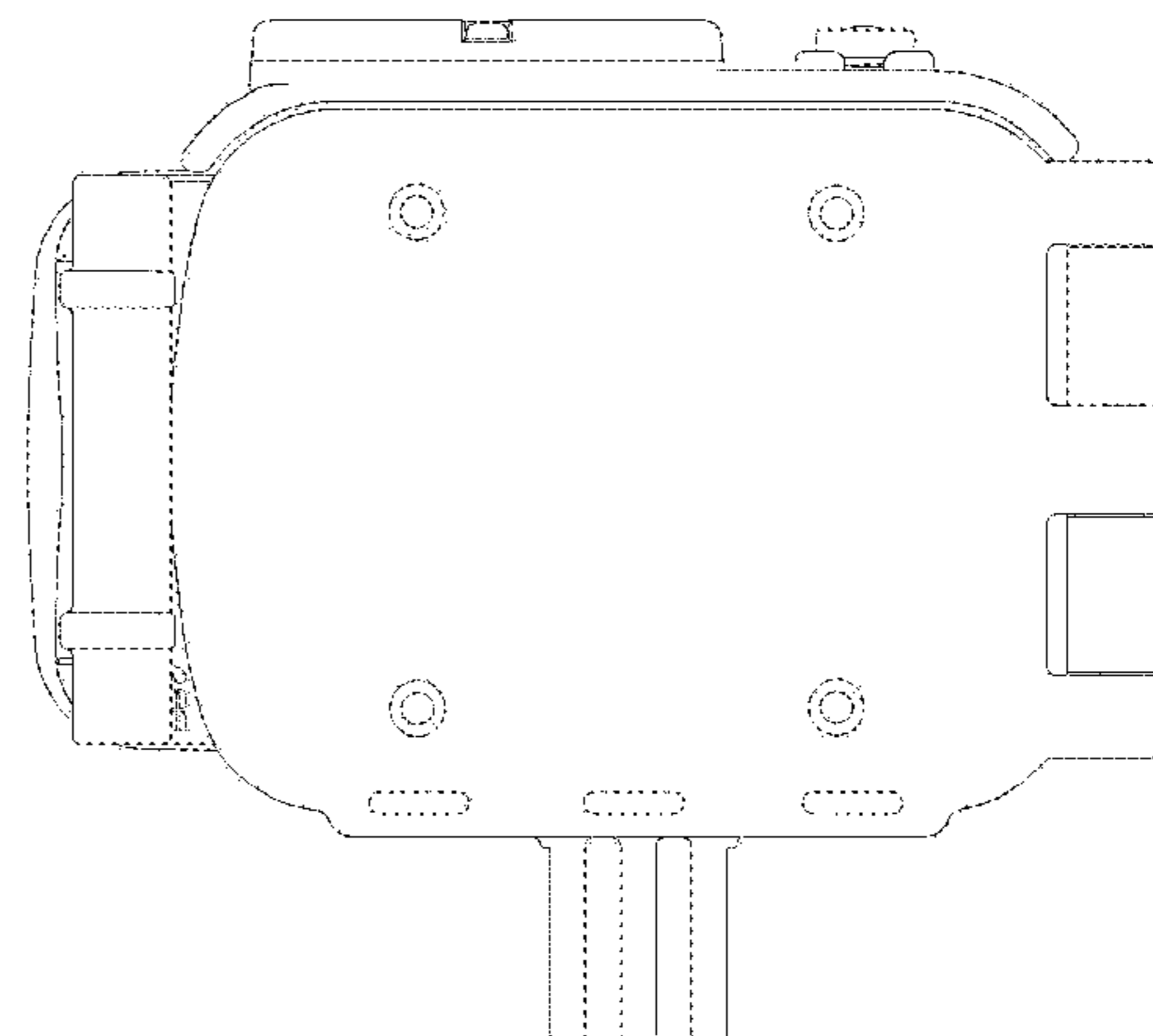
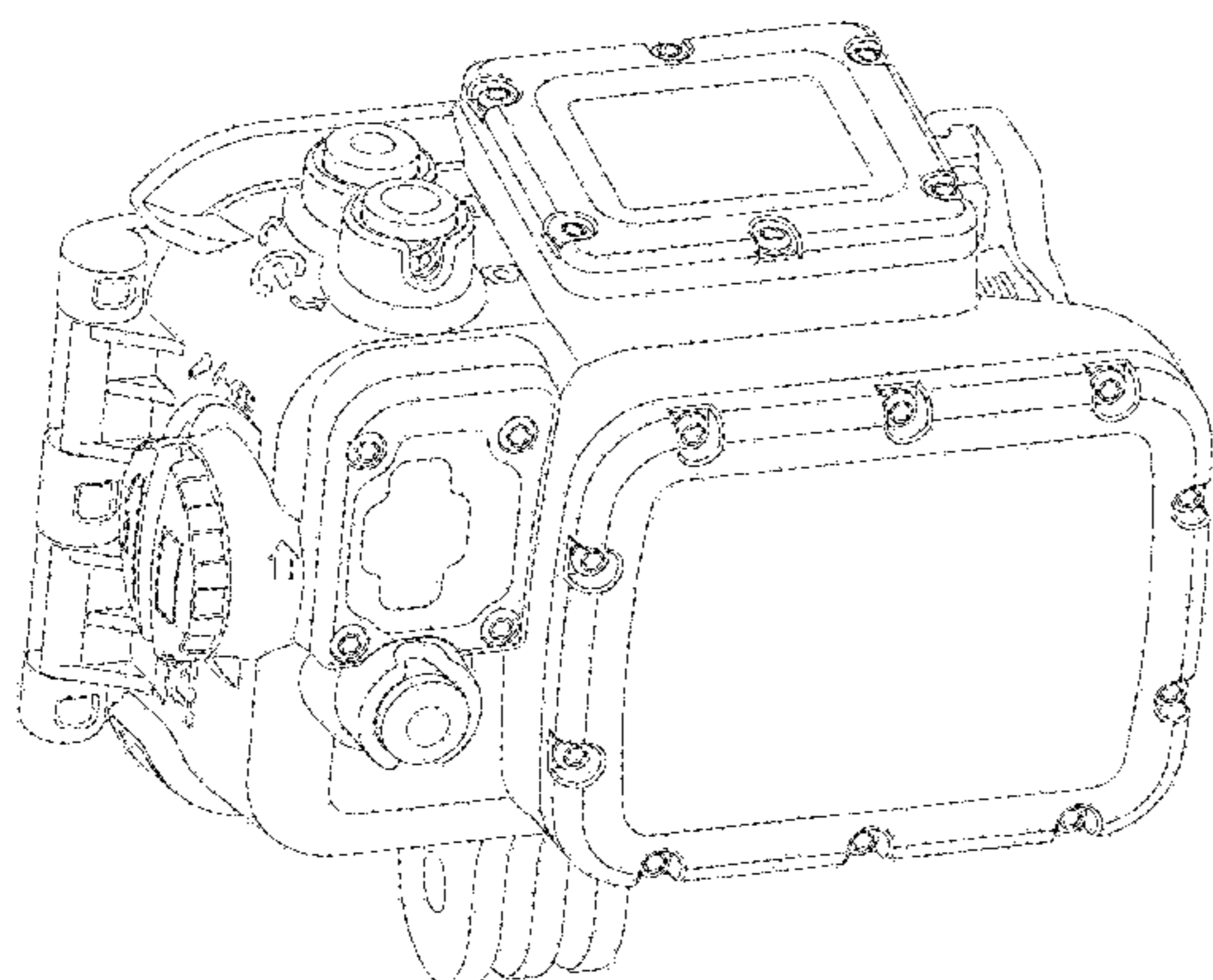
FIG. 12 is a top view of the second embodiment of the waterproof case for camera;

FIG. 13 is a bottom view of the second embodiment of the waterproof case for camera; and,

FIG. 14 is a perspective view of the second embodiment of the waterproof case for camera.

The broken lines depict portions of the waterproof case for camera in which the design is embodied and form no part of the claimed design.

1 Claim, 14 Drawing Sheets



(56)

References Cited

U.S. PATENT DOCUMENTS

8,544,643	B2 *	10/2013	Yim	G03B 17/08		
					206/316.2		
D702,747	S *	4/2014	Woodman	D16/200		
							* cited by examiner

D710,921	S *	8/2014	Gioscia	D16/200		
2009/0032420	A1 *	2/2009	Zenzai	G03B 17/08		
					206/316.2		
2009/0317069	A1 *	12/2009	Yim	G03B 17/08		
					396/27		

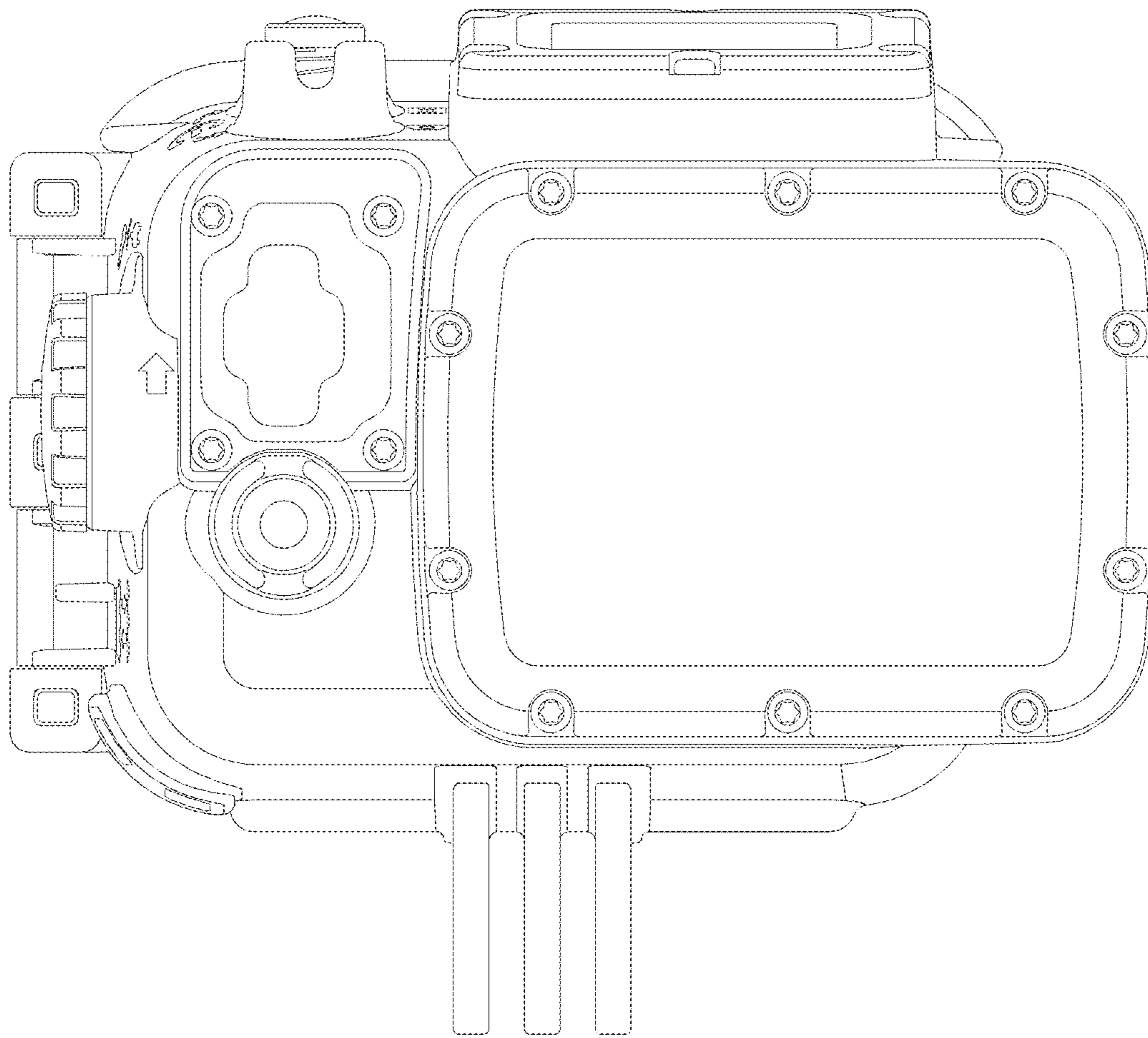


FIG. 1

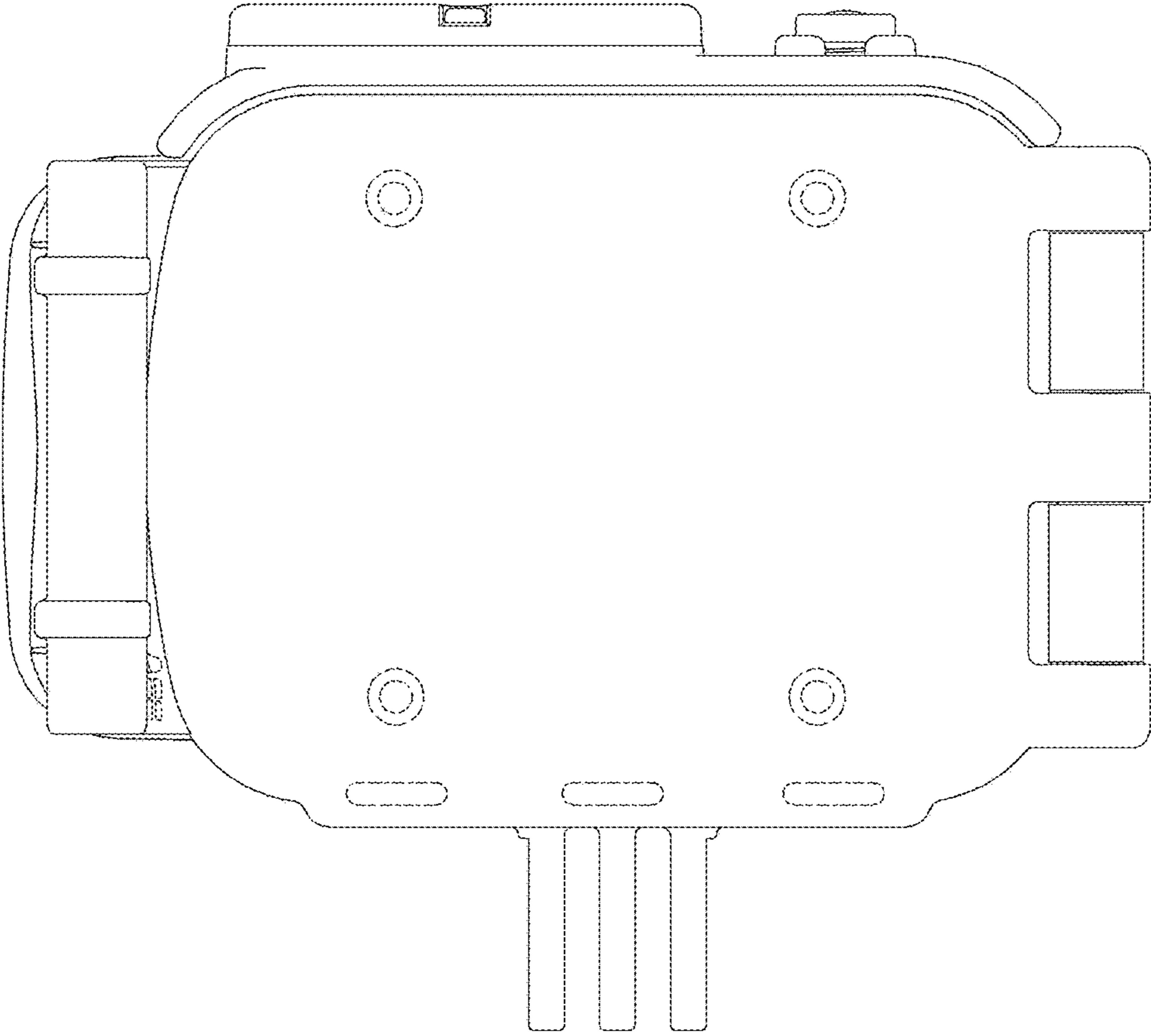


FIG. 2

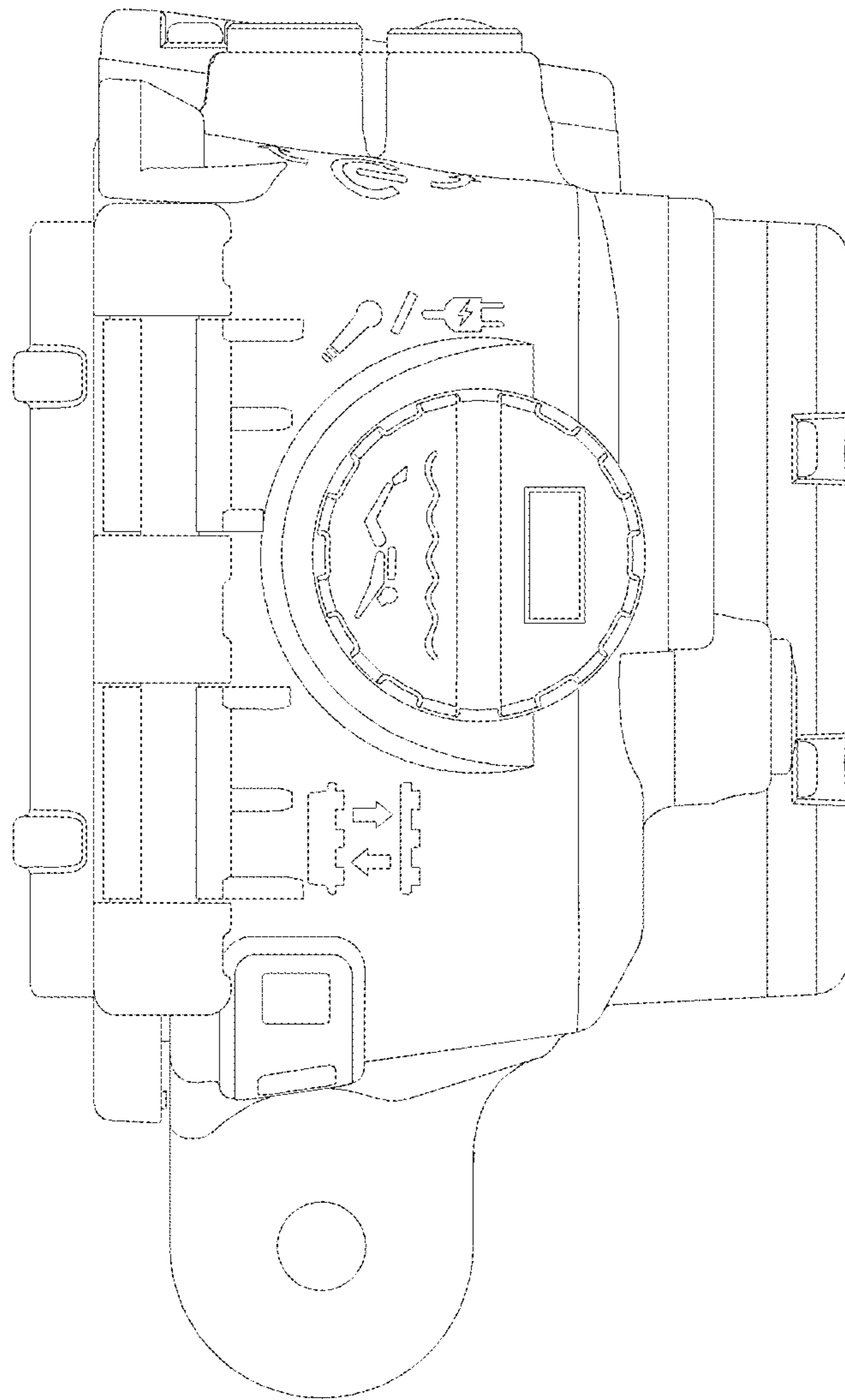


FIG. 3

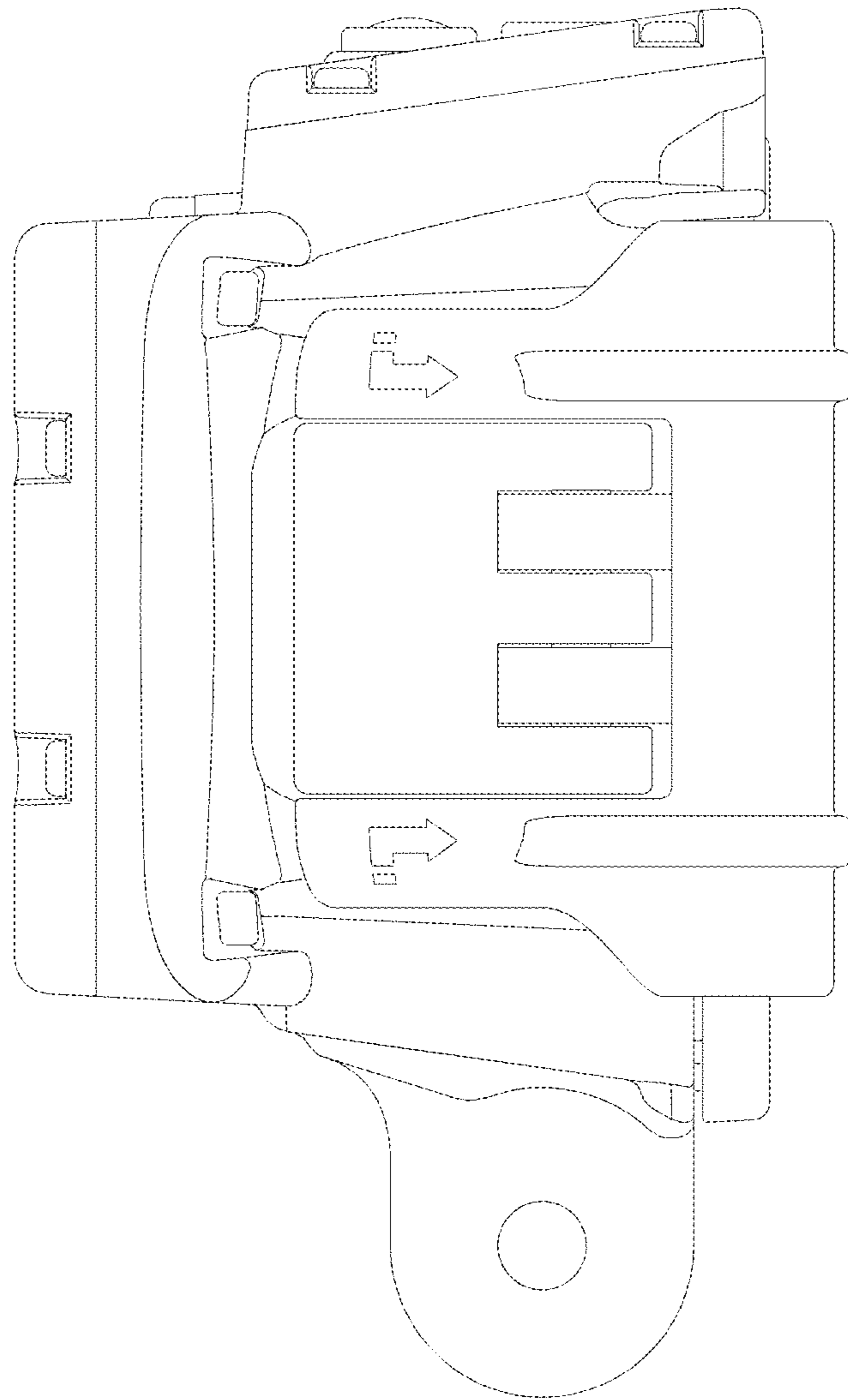


FIG. 4

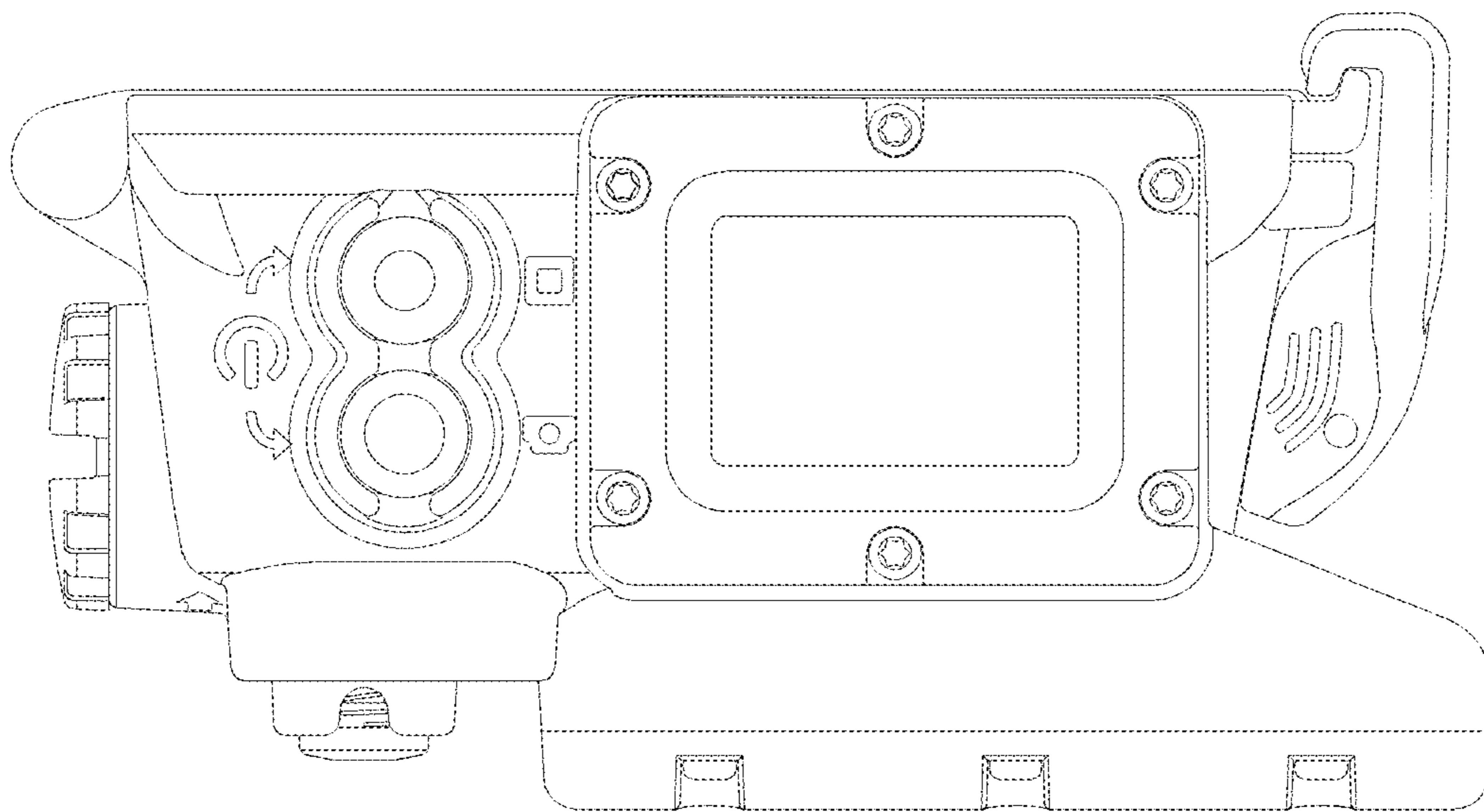


FIG. 5

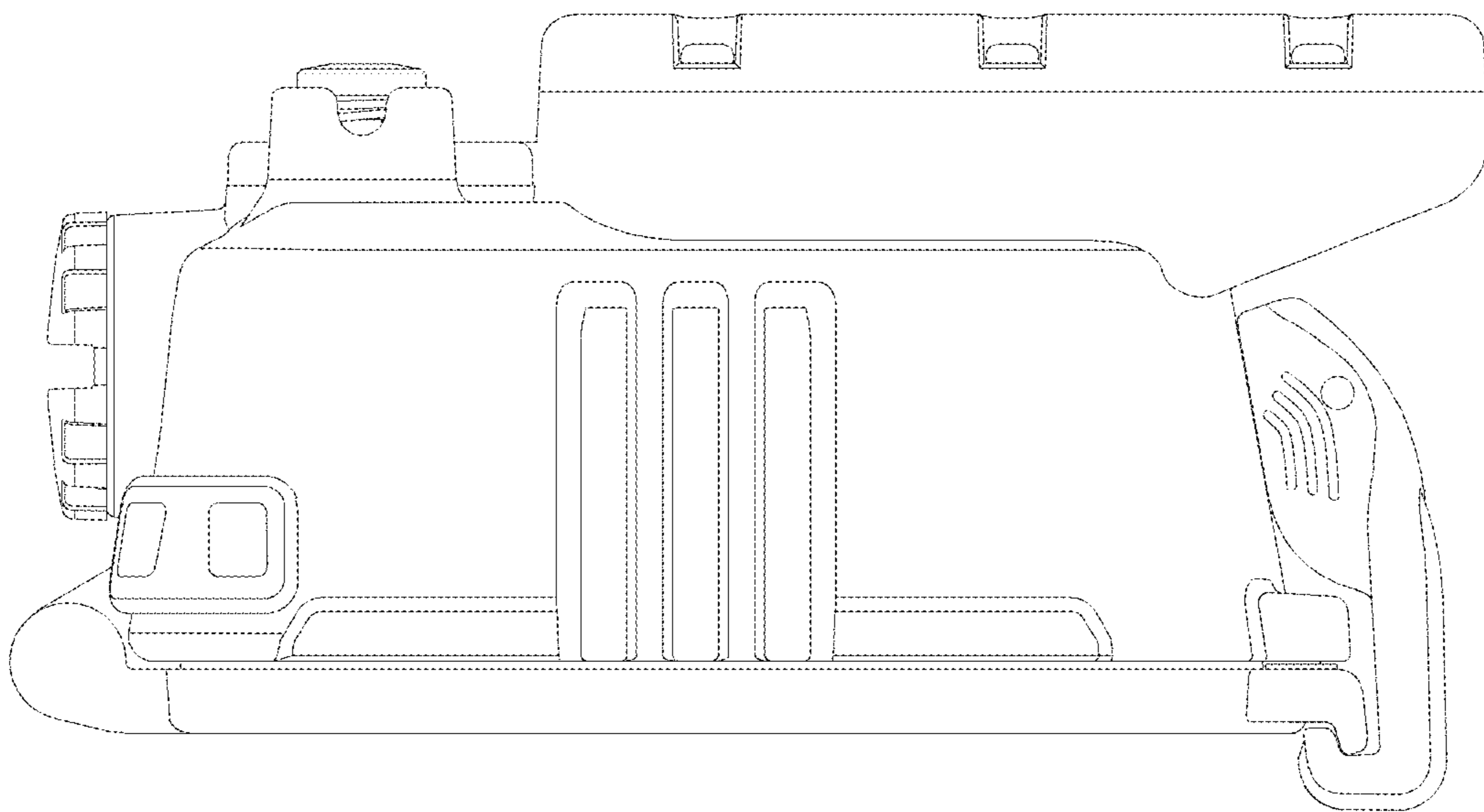


FIG. 6

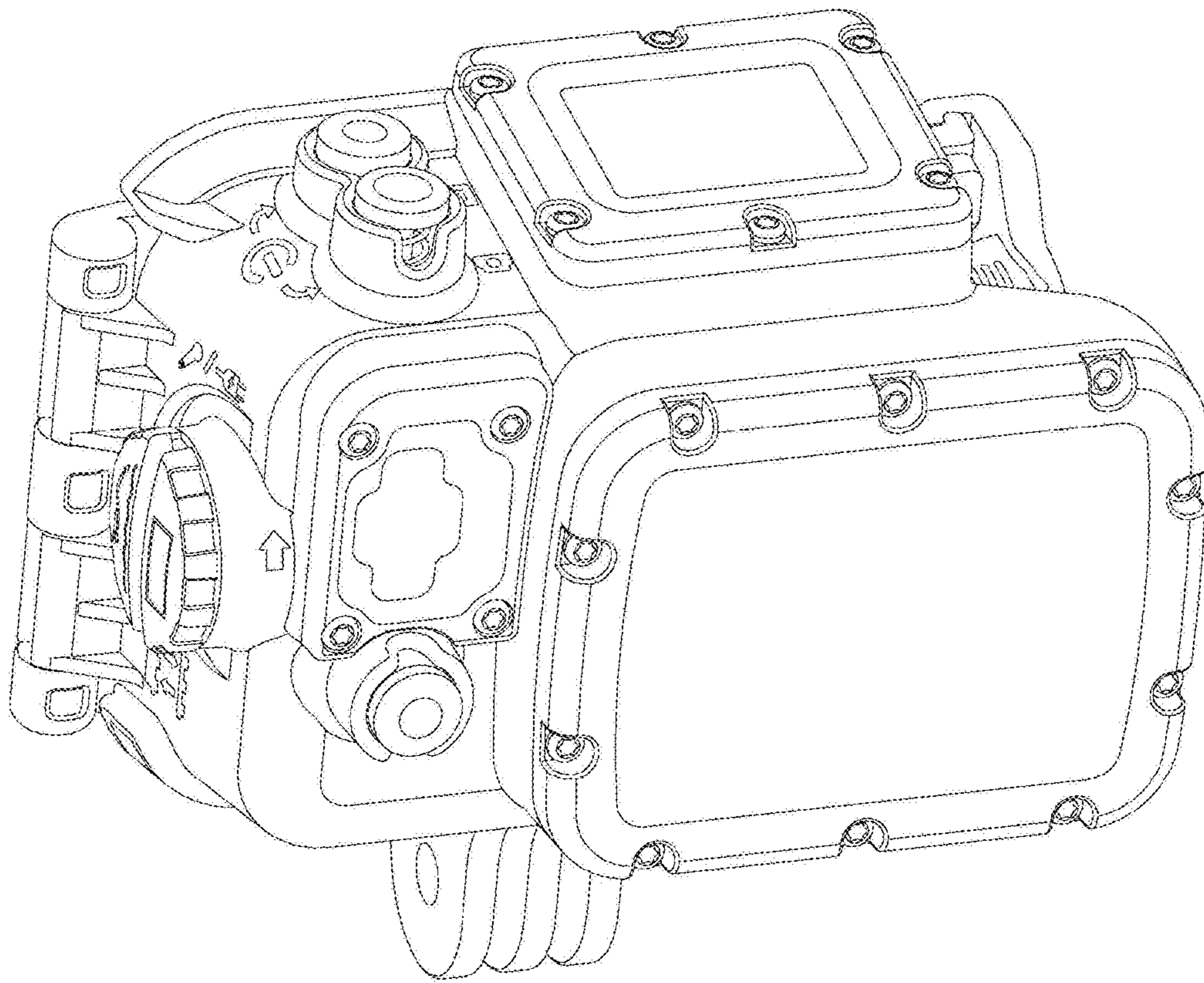


FIG. 7

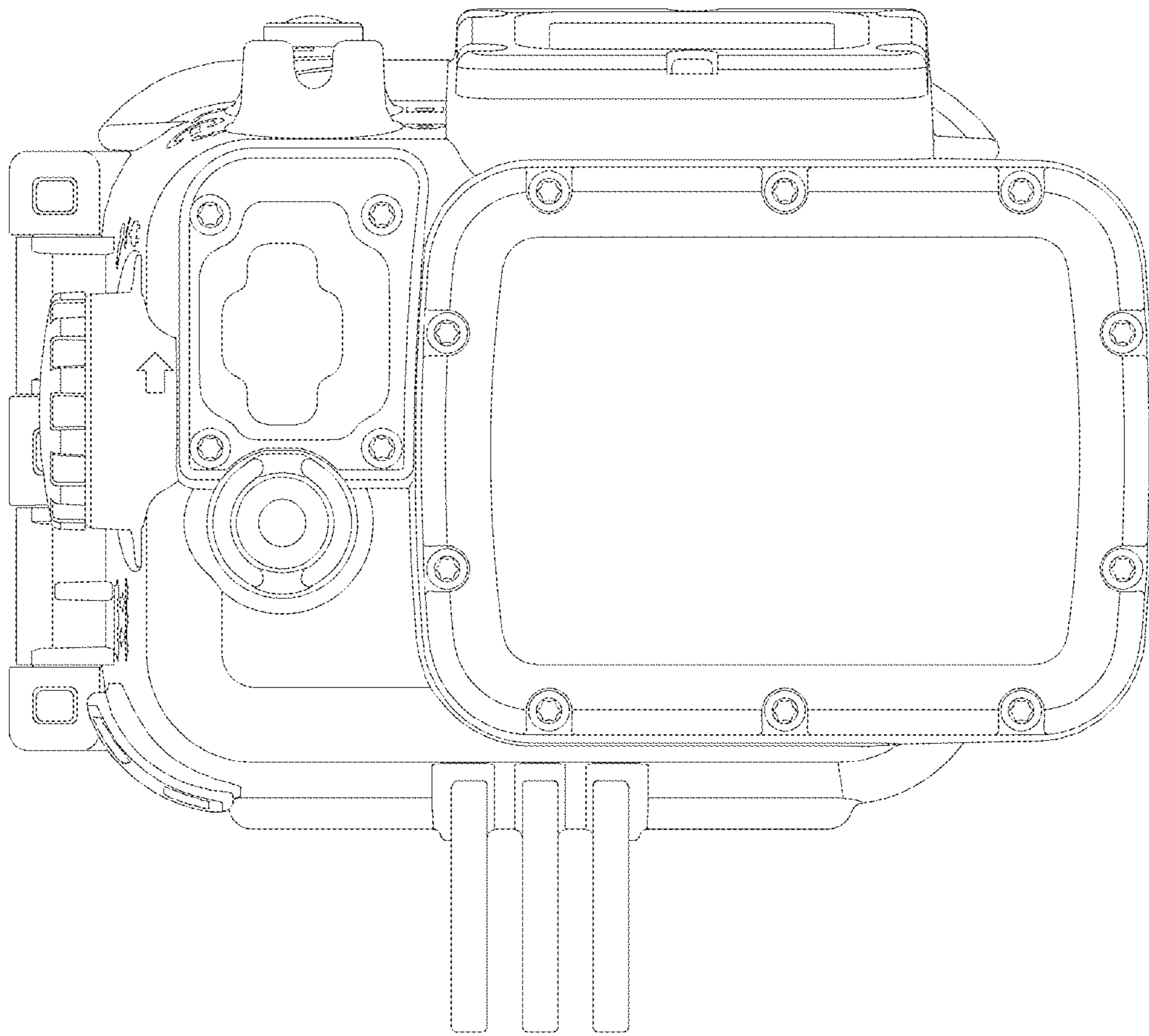


FIG. 8

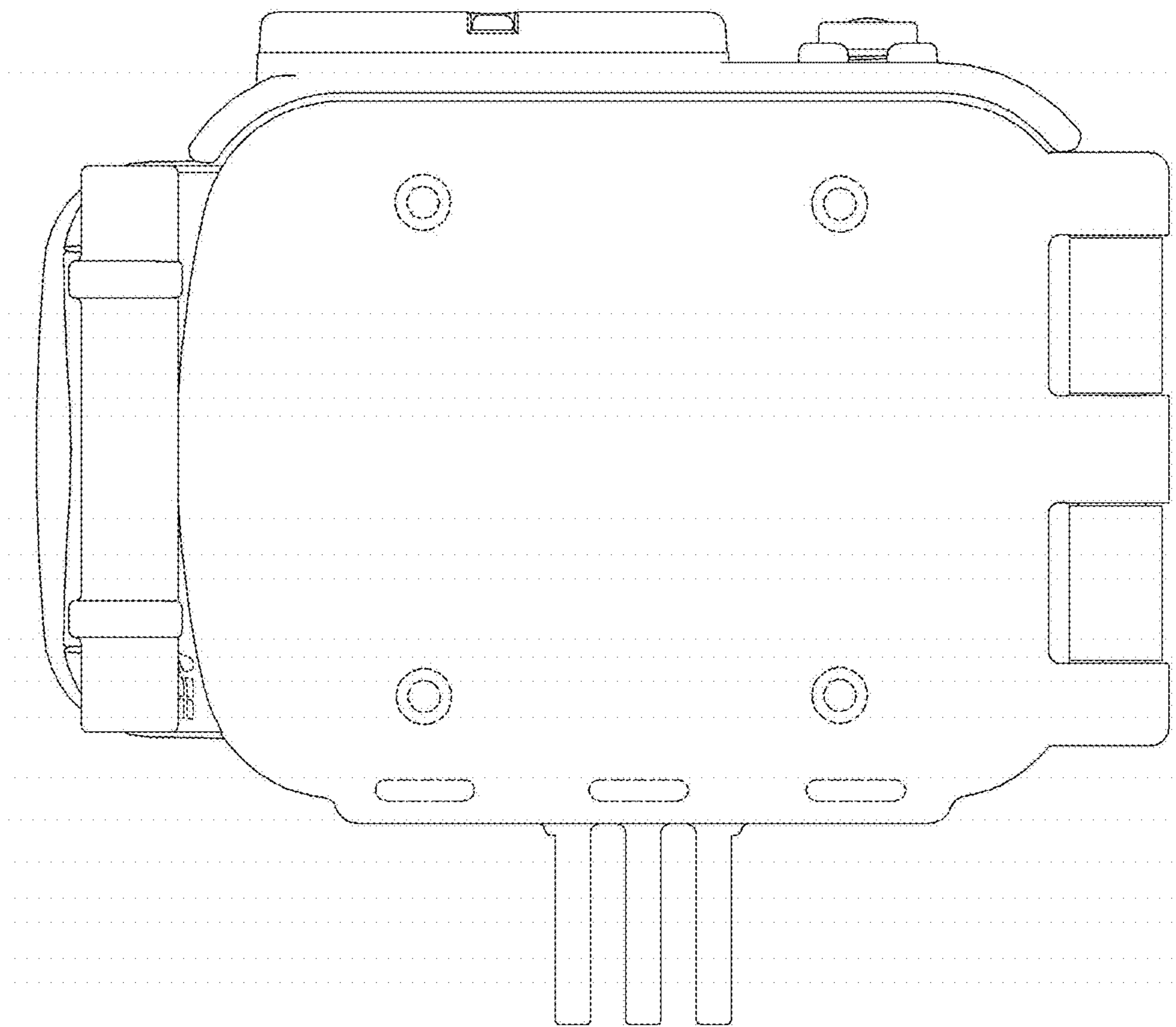


FIG. 9

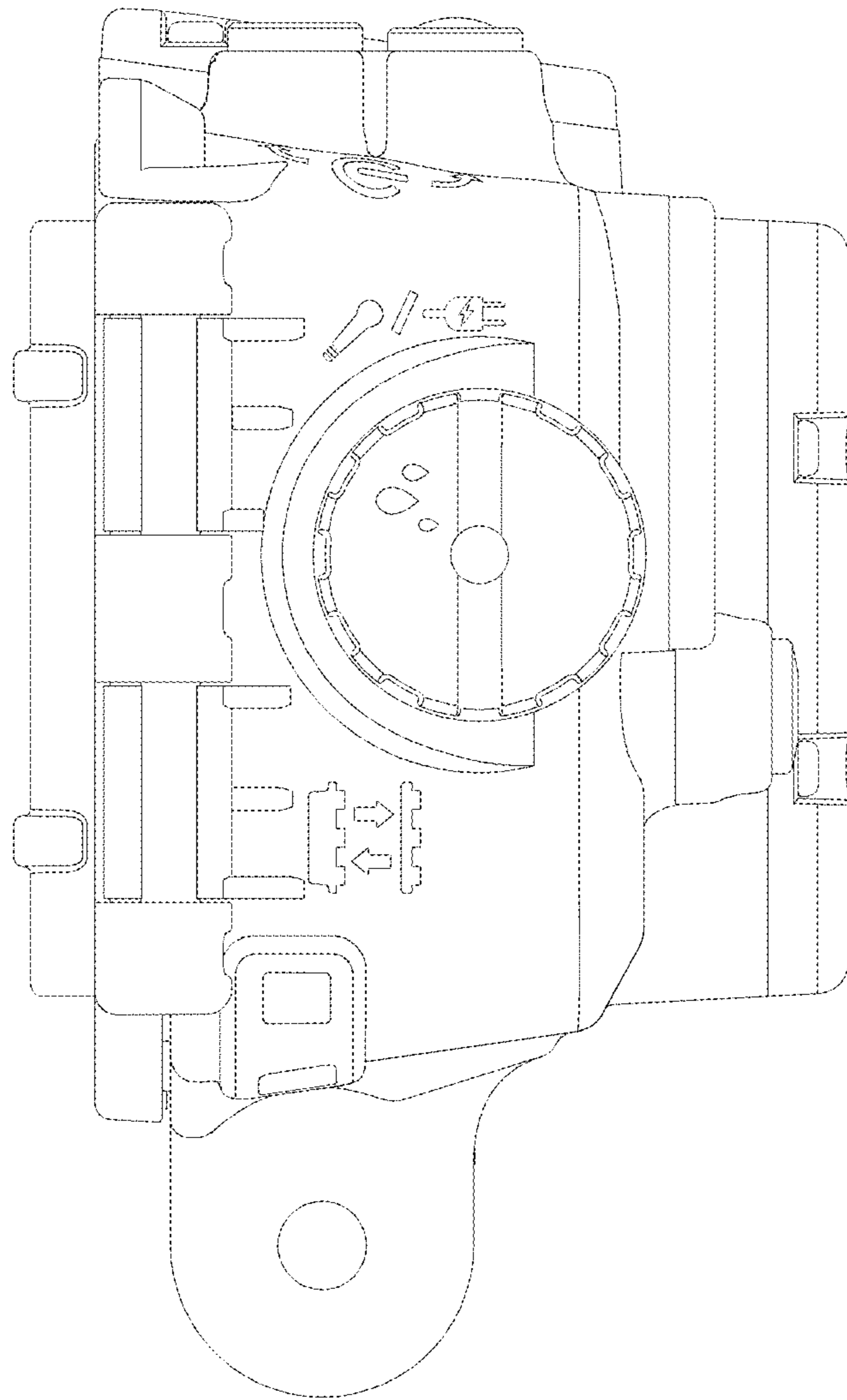


FIG. 10

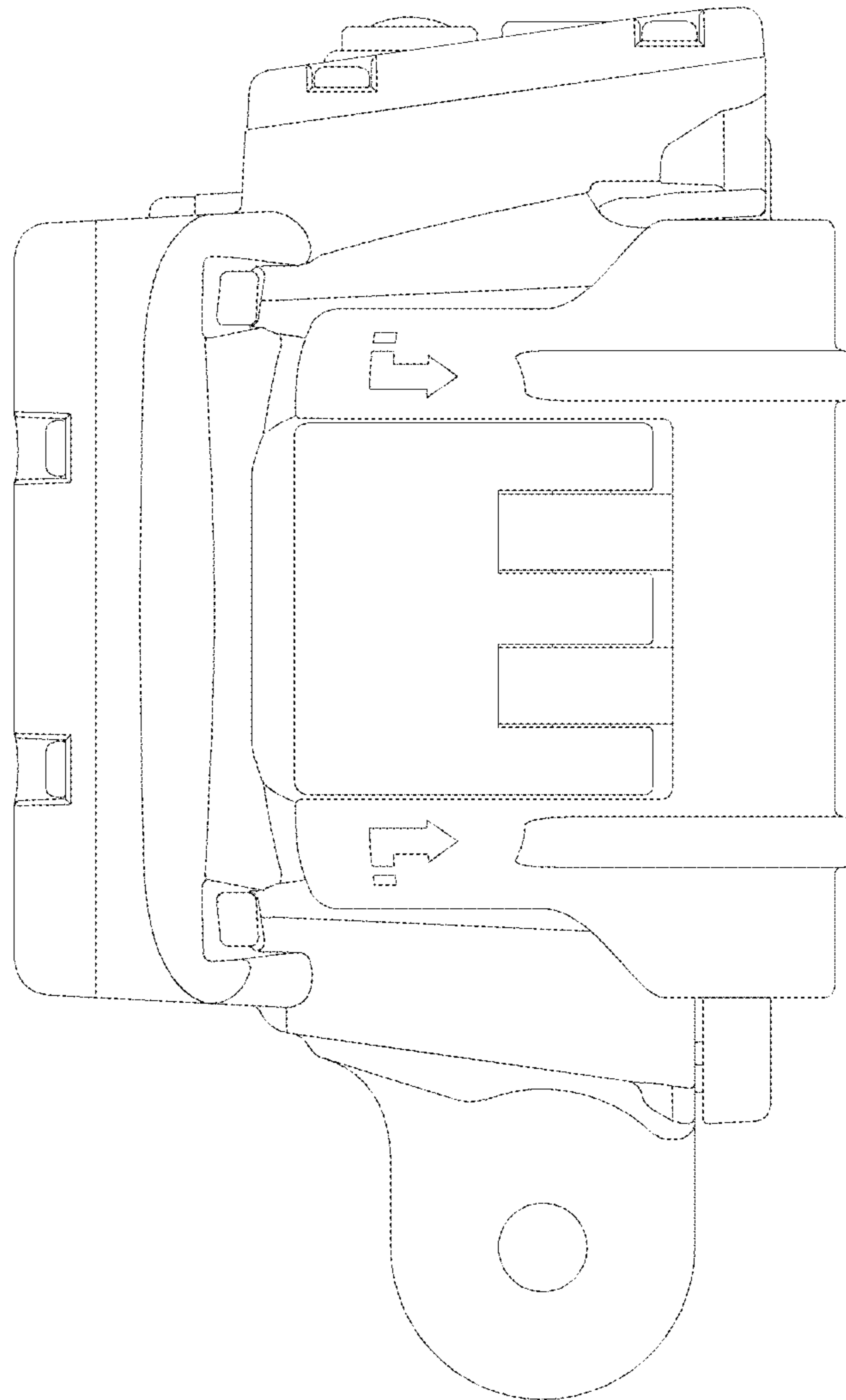


FIG. 11

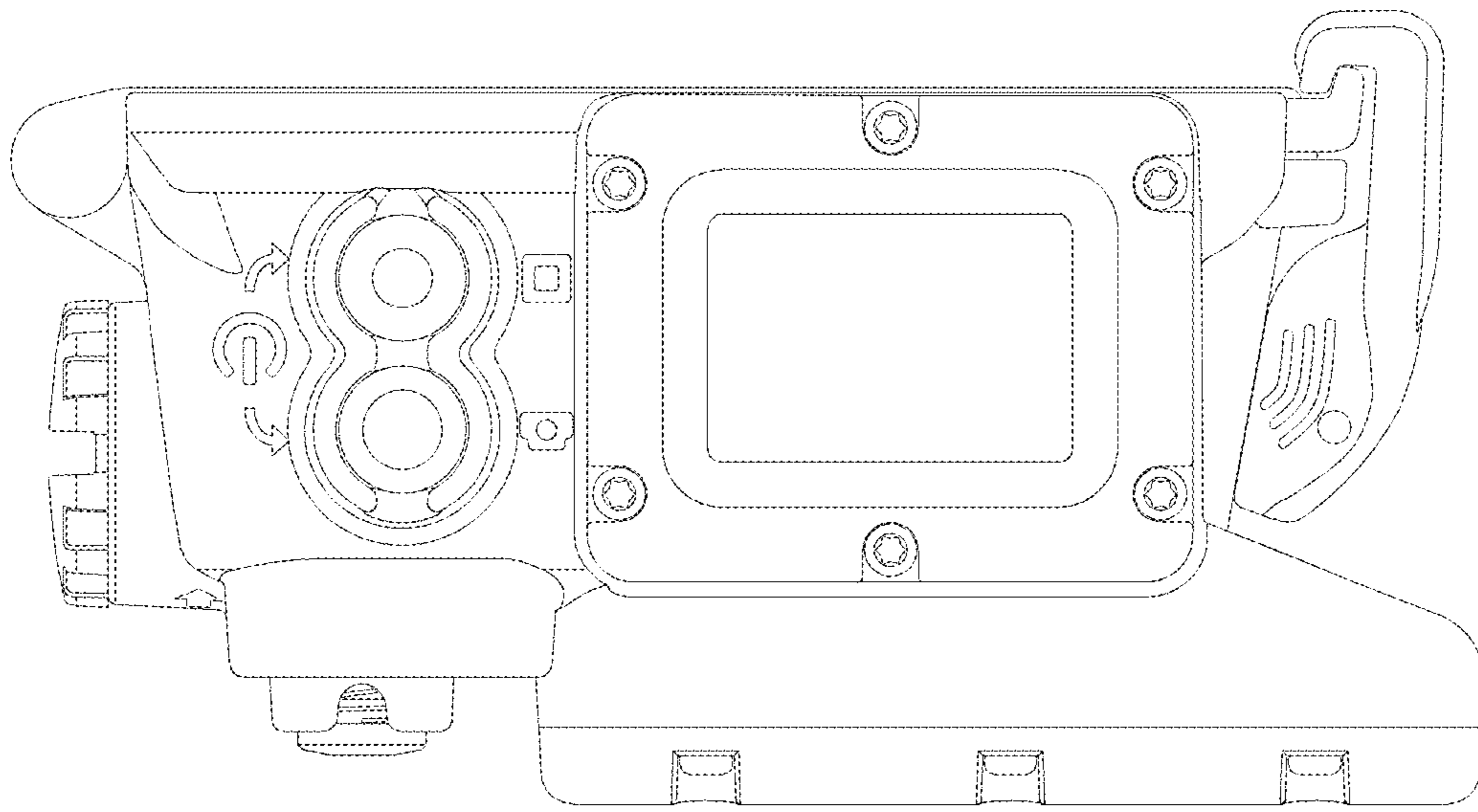


FIG. 12

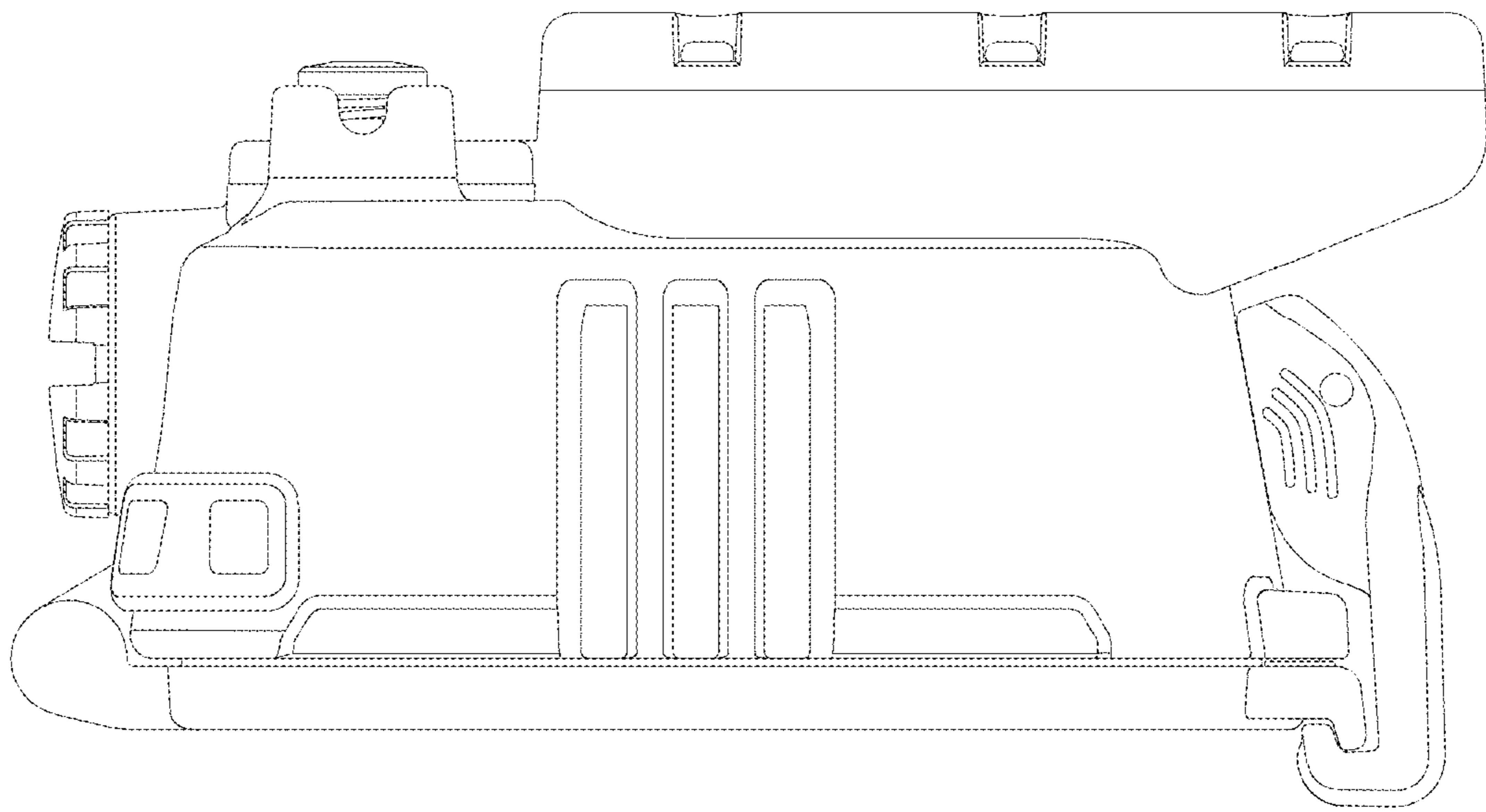


FIG. 13

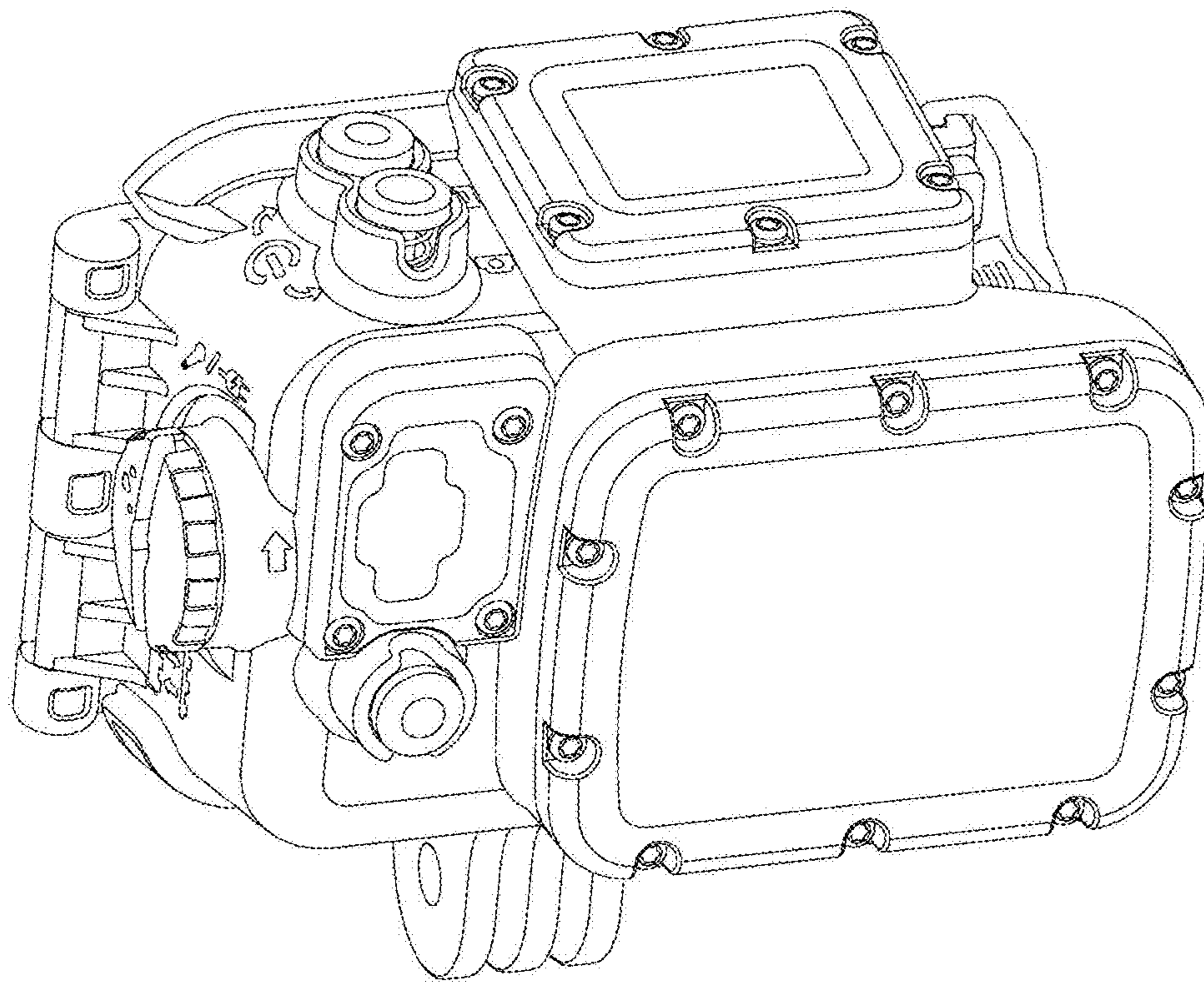


FIG. 14