



US00D772320S

(12) **United States Design Patent** (10) **Patent No.:** **US D772,320 S**
McQueen, Jr. (45) **Date of Patent:** **** Nov. 22, 2016**

(54) **CARBIDE CHIP**

FOREIGN PATENT DOCUMENTS

(71) Applicant: **Sterling W. McQueen, Jr.**, Manvel, TX (US)
(72) Inventor: **Sterling W. McQueen, Jr.**, Manvel, TX (US)

CN 303320291 8/2015
CN 303320292 8/2015
EM 000862750-0004 3/2008
GB 2103042 1/2001
GB 2103043 1/2001

(**) Term: **15 Years**

OTHER PUBLICATIONS

(21) Appl. No.: **29/544,056**

“What’s the Buzz?”, New Products Catalog, Jan. 2007, New-072, Ingersoll Marketing & Technology Center, Rockford, IL, 7 pgs.
“Content Resources Search”, Hexagon& . . . , www.kennametal.com, Sep. 29, 2014, Sandvick Coromant, 2 pgs.
“Product Catalog Excerpt”, Inserts, Distributor Catalog, LIT-CAT 01-R, Mar. 2001, AB Sandvick Coromant, 2 pgs.

(22) Filed: **Oct. 30, 2015**

(51) **LOC (10) Cl.** **15-09**

(52) **U.S. Cl.**
USPC **D15/139**

(58) **Field of Classification Search**
USPC D15/122–143; 407/42, 113
CPC Y10T 407/23
See application file for complete search history.

(Continued)

Primary Examiner — Susan Bennett Hattan
Assistant Examiner — Brett Miller
(74) *Attorney, Agent, or Firm* — David G. Henry, Sr.

(56) **References Cited**

U.S. PATENT DOCUMENTS

3,123,896 A * 3/1964 Wilson B23B 27/167
407/113
3,289,272 A * 12/1966 Stier B23B 27/1622
407/113
D278,716 S * 5/1985 Pano D15/139
D330,901 S * 11/1992 Gustafsson D15/139
5,454,671 A * 10/1995 Qvarth B23C 5/202
407/113
D482,706 S 11/2003 Svensson
D486,505 S * 2/2004 Arvidsson D15/139
D602,510 S 10/2009 Harpaz
D616,003 S * 5/2010 Ueda D15/139
D647,928 S * 11/2011 MacLennan D15/139
D649,987 S 12/2011 Dunnahoe
D651,224 S 12/2011 Takahashi et al.
D676,071 S * 2/2013 Cox D15/139
D705,281 S * 5/2014 Heinasenaho D15/139
D706,322 S * 6/2014 Monttinen D15/139
D718,356 S 11/2014 Dunnahoe
D738,411 S 9/2015 Kim
2010/0180735 A1 * 7/2010 MacLennan A01G 23/067
83/13

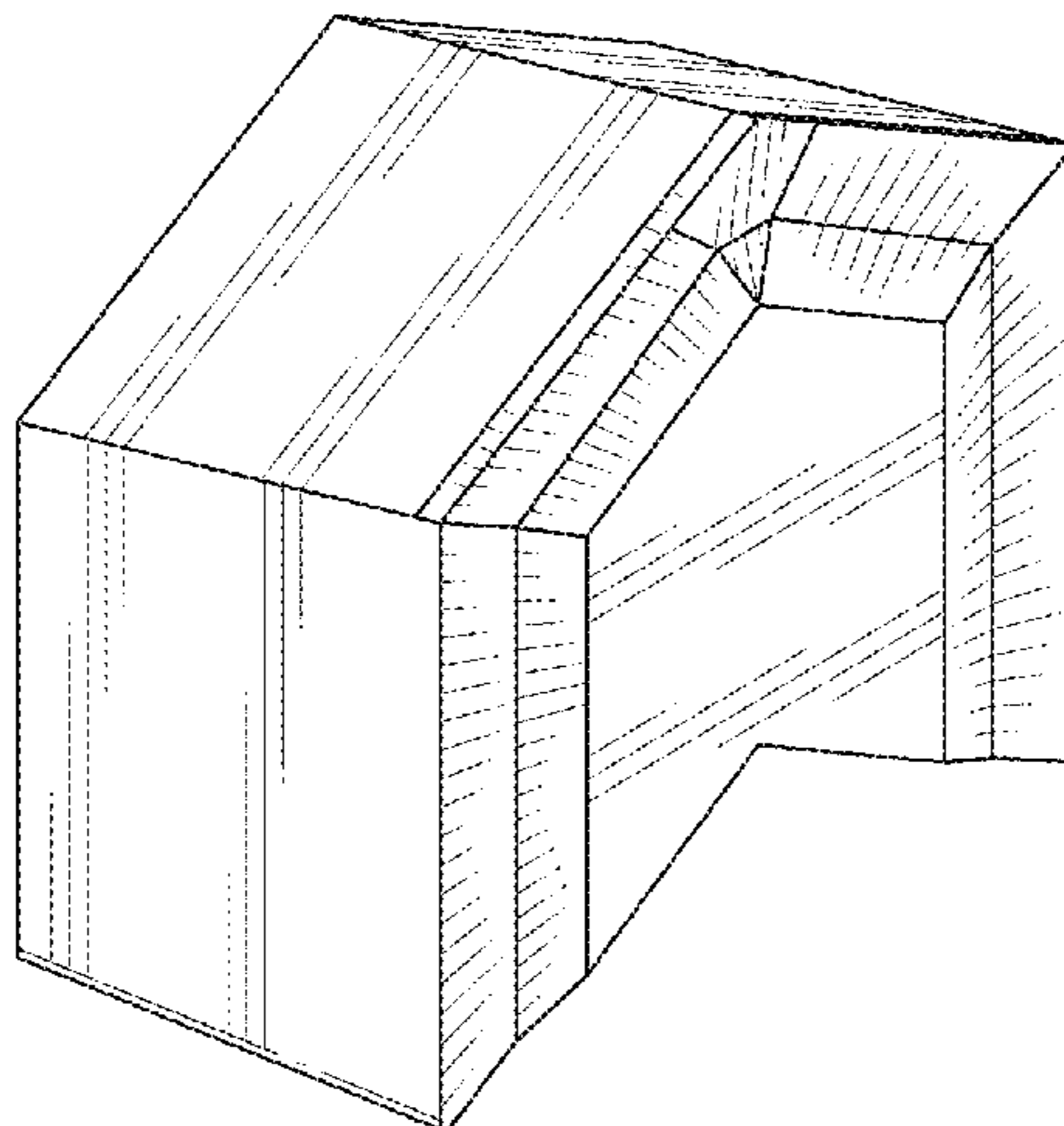
(57) **CLAIM**

The ornamental design for a carbide chip, as shown and described.

DESCRIPTION

FIG. 1 is a front-side elevational view of a carbide chip in accordance with the present invention;
FIG. 2 is a front perspective view of the carbide chip in FIG. 1;
FIG. 3 is a back perspective view thereof;
FIG. 4 is a left side perspective view thereof;
FIG. 5 is a right side perspective view thereof;
FIG. 6 is a top perspective view thereof; and,
FIG. 7 is a bottom perspective view thereof.
The present invention is used on down-hole drilling tools.

1 Claim, 2 Drawing Sheets



(56)

References Cited

OTHER PUBLICATIONS

“Heat resistant super alloys”, Application Guide Excerpts, C-290:34, Aug. 2010, AB Sandvick Coromant, Sandviken, Sweden, 10 pgs.

“Ceramic insert with dimple”, Tungaloy Report, No. 392-US, Jul. 2011, Tugaloy America, Inc., 8 pgs.

“Index Browse”, Milling Inserts:12 items returned, www.msdirect.com, Feb. 10, 2015, MSC Industrial Co., Inc., 4 pgs.

“Index Browse”, Milling Inserts; 9 items returned, www.msdirect.com, Feb. 10, 2015, MSC Industrial Co., Inc., 4 pgs.

“Product Detail”, Indexable Inserts:HexaCut:Part No. HNGX5351MM TN5515, www.carbidedepot.com, Feb. 10, 2015, Carbide Depot, Inc., 3 pgs.

“Product Detail”, Indexable Inserts:Dodeka Mini 45°, www.carbidedepot.com, Feb. 10, 2015, Carbide Depot, Inc., 2 pgs.

“Product Detail”, Indexable Inserts: HexaCut 45°—Cast Iron, www.carbidedepot.com, Feb. 10, 2015, Carbide Depot, Inc., 2 pgs.

“Product Detail”, Indexable Inserts:HexaCut:Part No. HNGX5352MH KCK15, www.carbidedepot.com, Feb. 10, 2015, Carbide Depot, Inc., 3 pgs.

“Product Detail”, HexaCut 45°—Cast Iron:Indexable Shell Mills: K315A1ORF45HNO9C, www.carbidedepot.com, Feb. 10, 2015, Carbide Depot, Inc., 2 pgs.

“Category Selection”, Milling Cutters:Octagon/Heptagon/Hexagon/Pentagon Cutters, www.carbidedepot.com, Feb. 10, 2015, Carbide Depot, Inc., 1 pg.

Dunnahoe, Duane C., “Carbide chip”, Patent Prosecution File Wrapper for Design U.S. Appl. No. 29/348,751, filed Feb. 4, 2010, Now Design Patent No. D649987S issued Dec. 6, 2011, USPTO, 43 pgs.

“Downhole Tool Dressing”, Product Catalog, American National Carbide:Delivering Carbide Value, American National Carbide, created Aug. 13, 2012, 3 pgs.

* cited by examiner

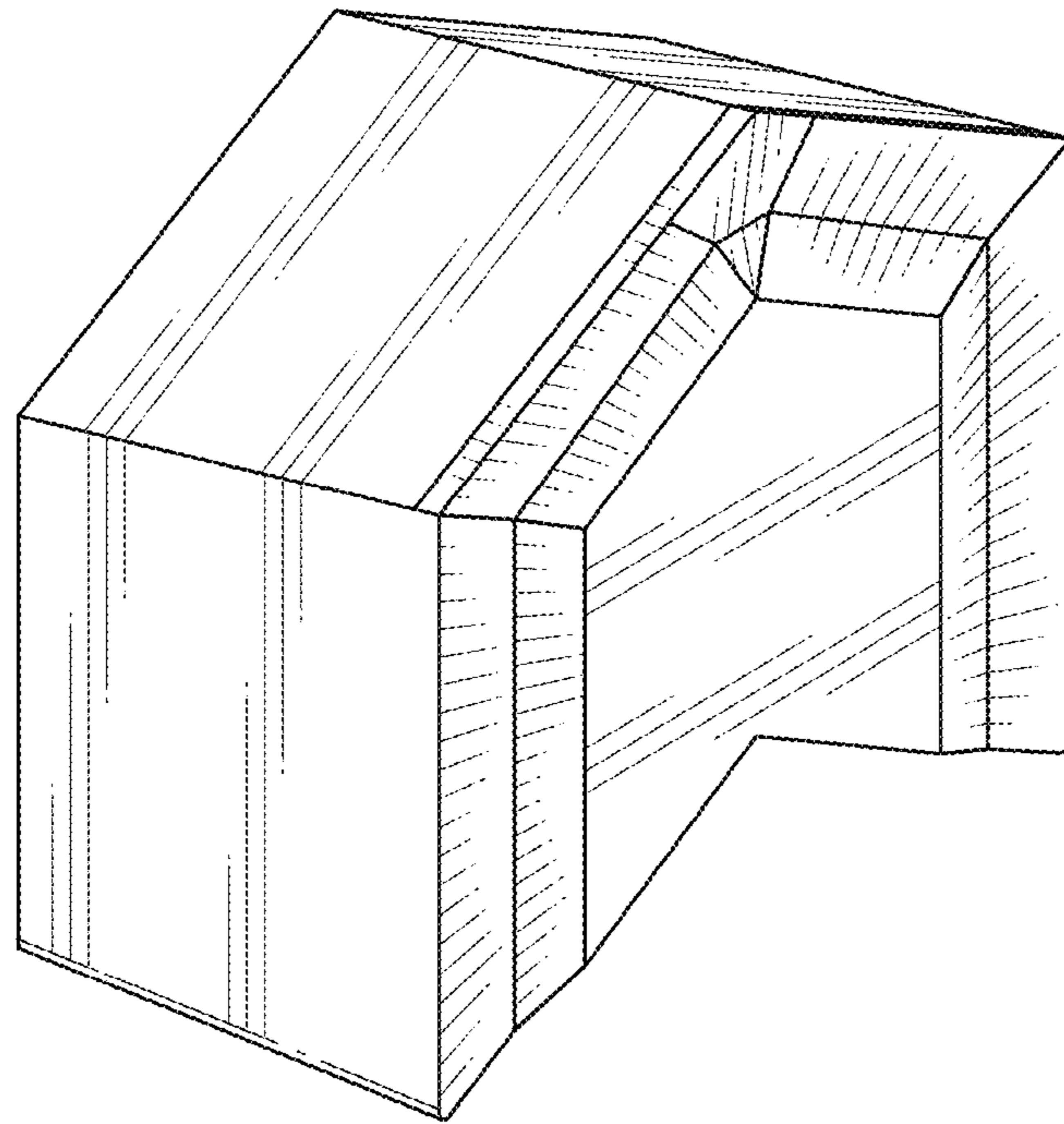


FIG. 1

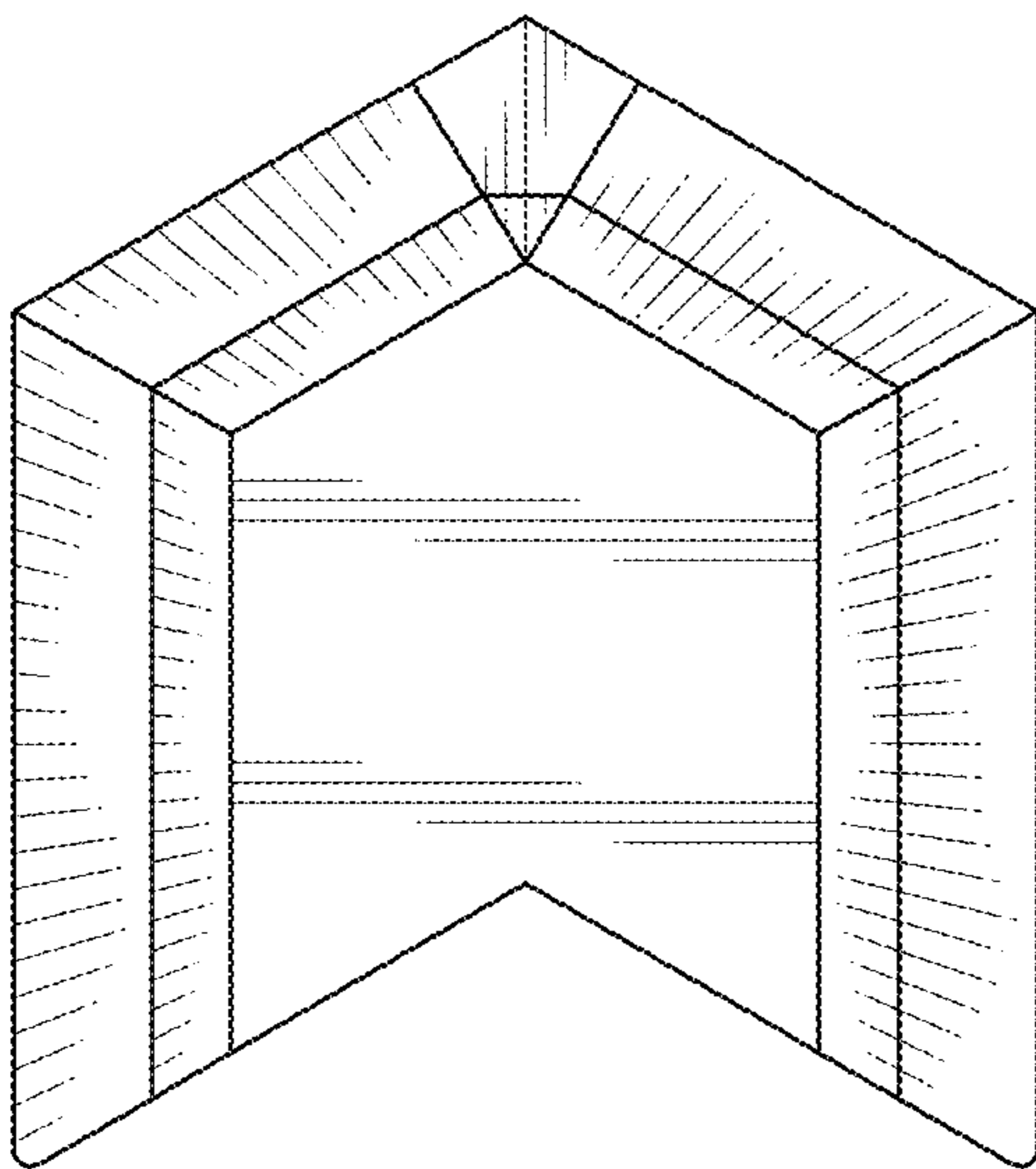


FIG. 2

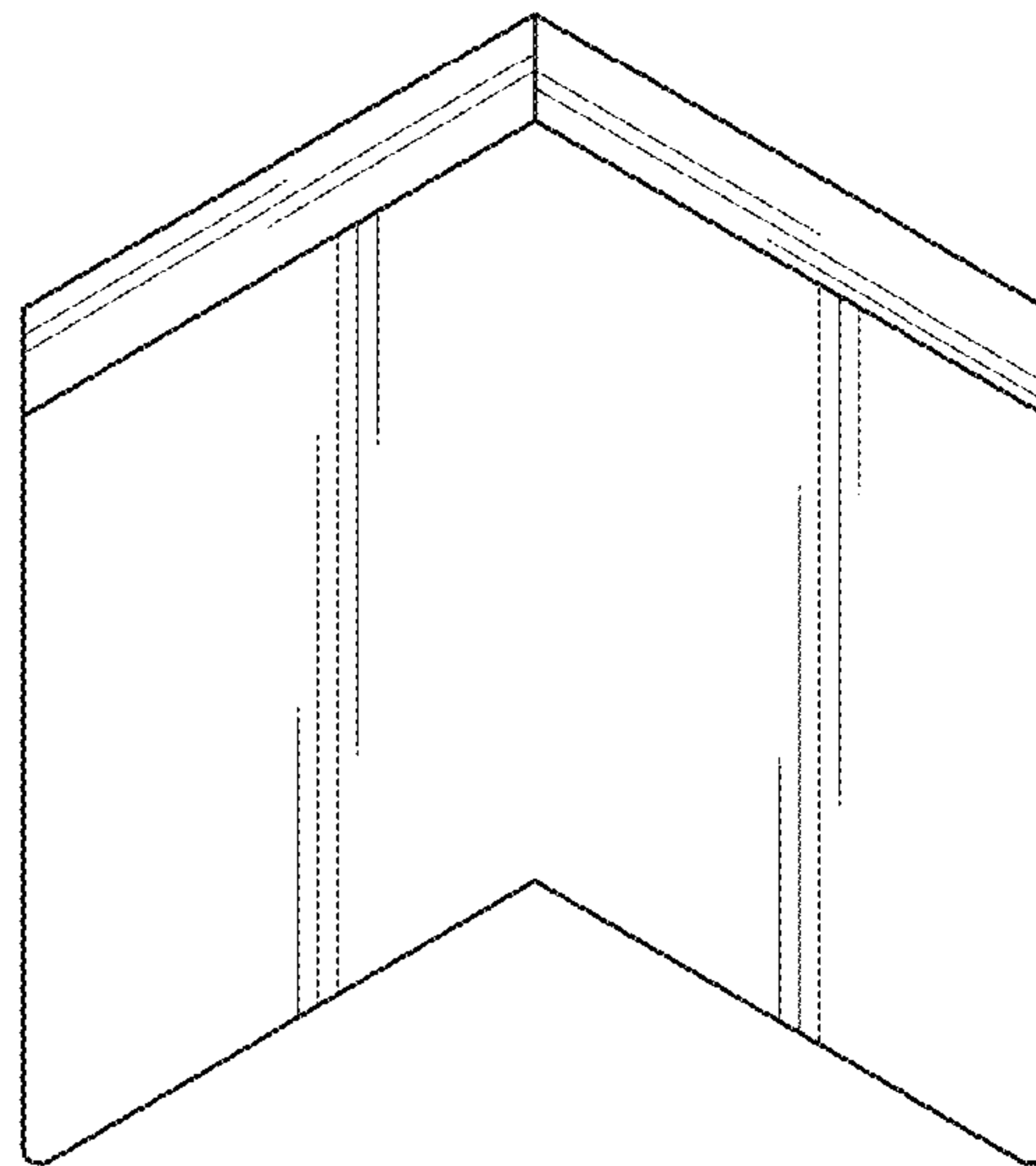


FIG. 3

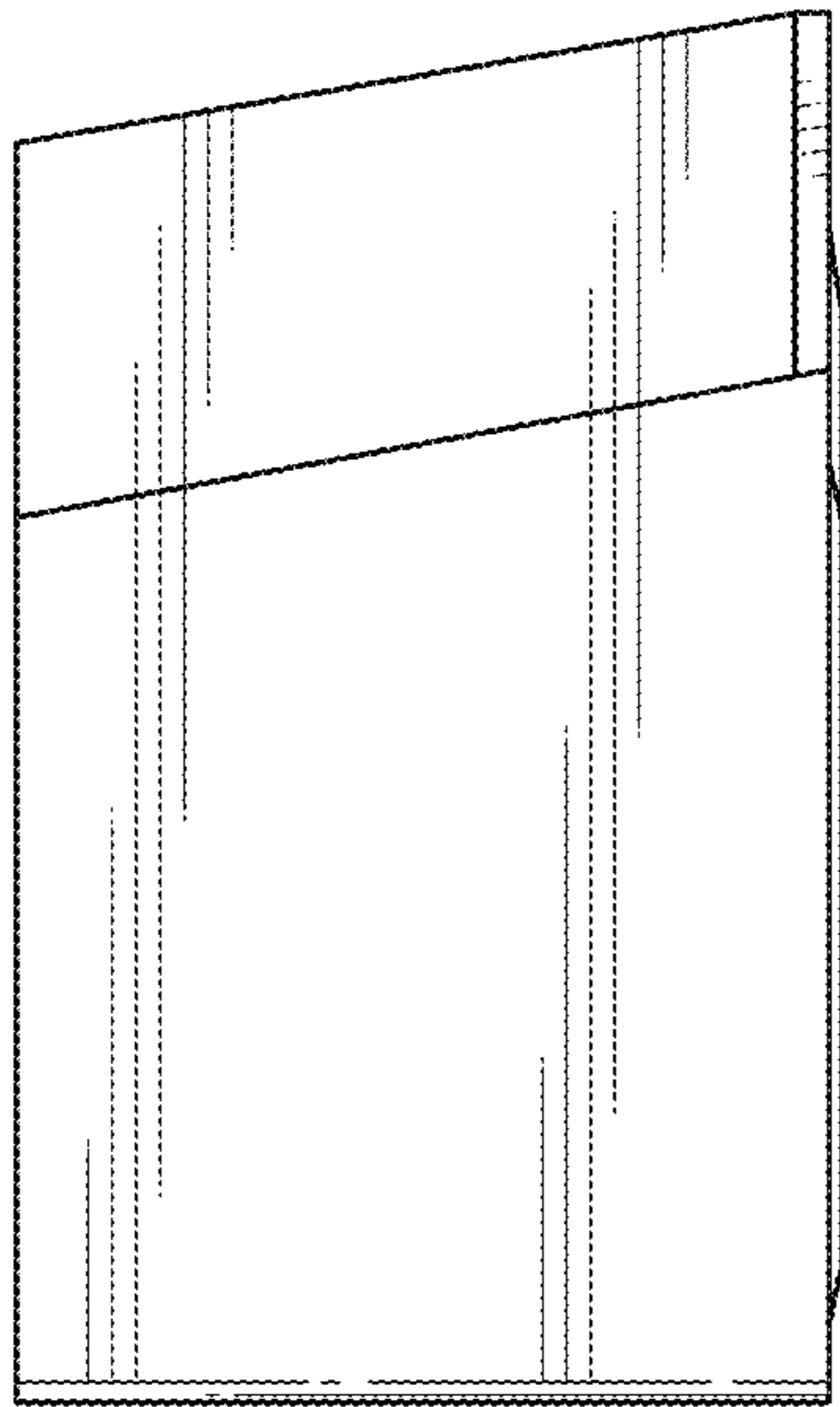


FIG. 4

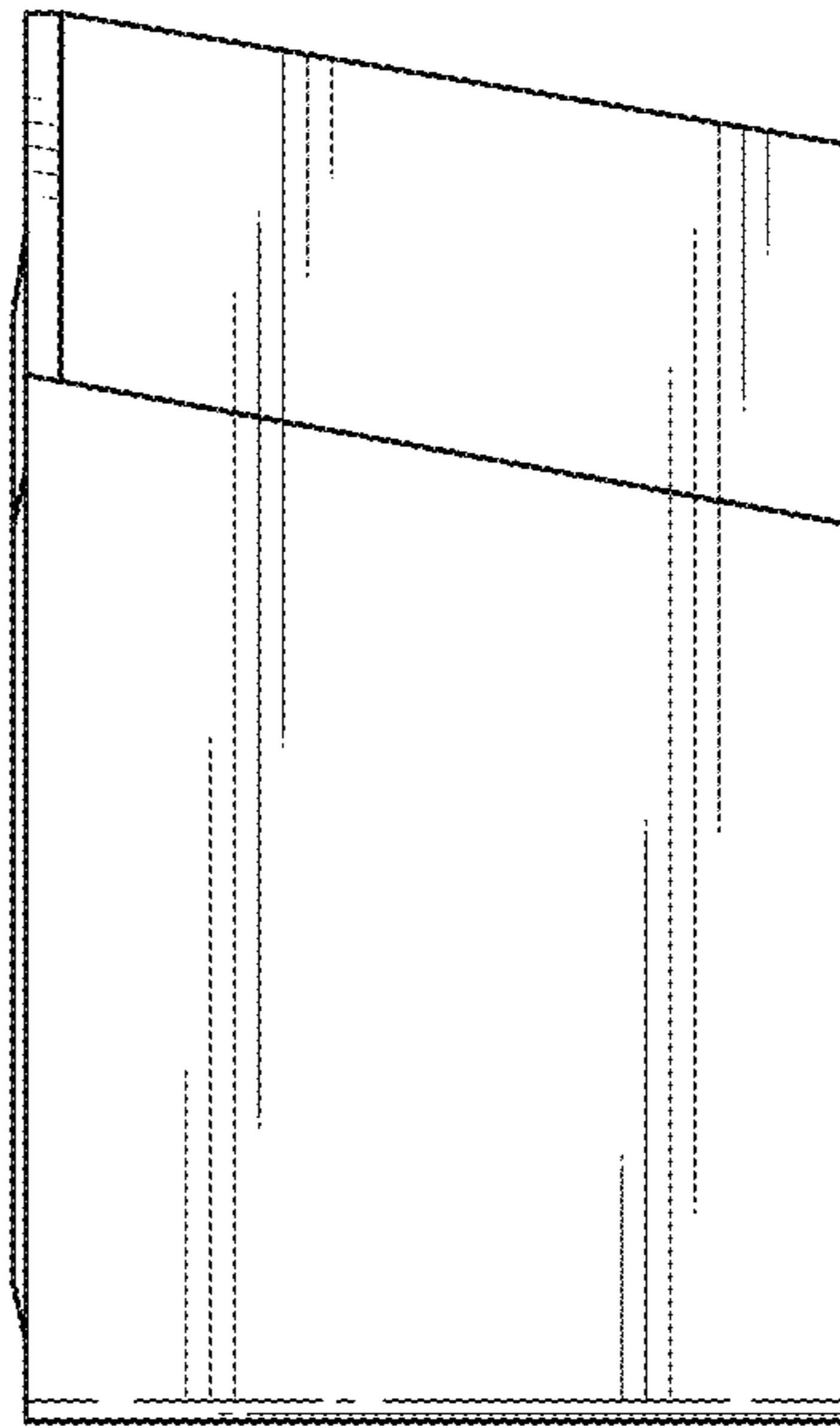


FIG. 5

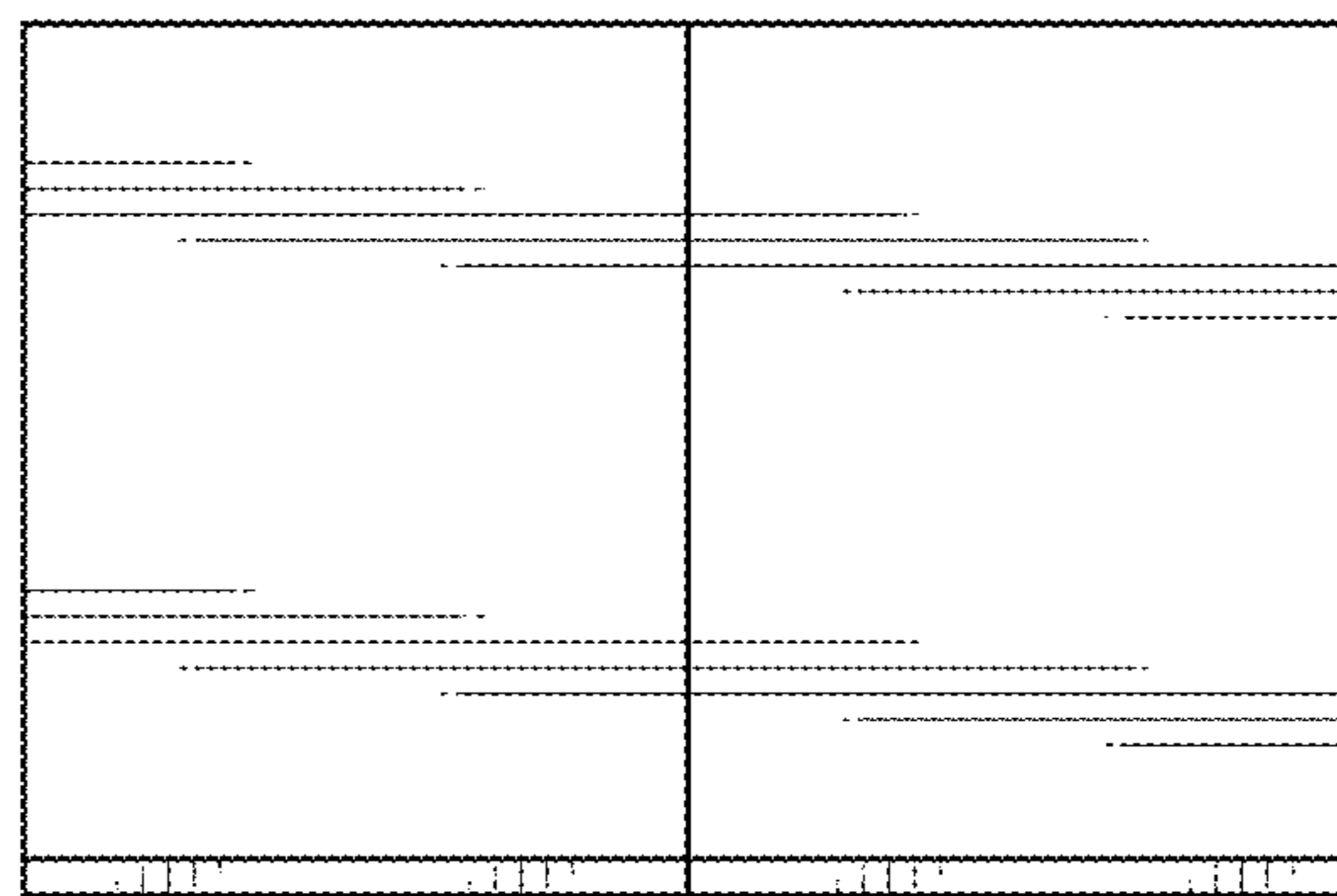


FIG. 6

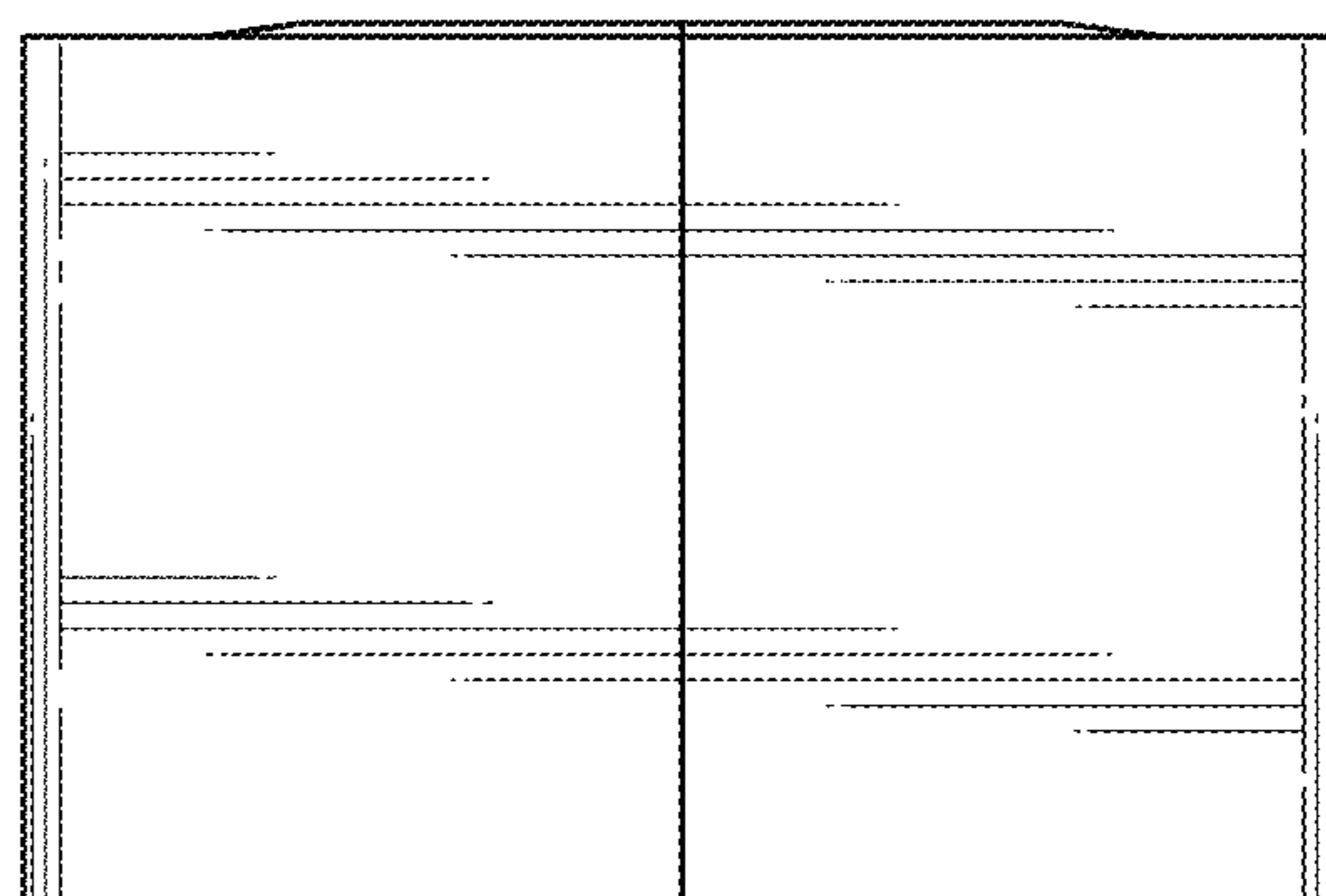


FIG. 7