



US00D772319S

(12) **United States Design Patent**  
**Nam et al.**

(10) **Patent No.:** **US D772,319 S**

(45) **Date of Patent:** **\*\* Nov. 22, 2016**

(54) **CUTTING INSERT**

(71) Applicant: **KORLOY INC.**, Seoul (KR)

(72) Inventors: **Ki-Chan Nam**, Cheongju-si (KR);  
**Kwan Hee Lee**, Cheongju-si (KR);  
**Hyo San Kim**, Cheongju-si (KR);  
**Young Heum Kim**, Cheongju-si (KR)

(73) Assignee: **KORLOY INC.**, Seoul (KR)

(\*\*) Term: **15 Years**

(21) Appl. No.: **29/532,973**

(22) Filed: **Jul. 13, 2015**

(30) **Foreign Application Priority Data**

Jan. 22, 2015 (KR) ..... 30-2015-0003444

(51) **LOC (10) Cl.** ..... **15-09**

(52) **U.S. Cl.**  
USPC ..... **D15/139**

(58) **Field of Classification Search**  
USPC ..... D8/20, 70; D15/126, 131, 138, 139,  
D15/140  
See application file for complete search history.

(56) **References Cited**

**U.S. PATENT DOCUMENTS**

D347,642 S \* 6/1994 Lindberg ..... D15/139  
D379,360 S \* 5/1997 Satran ..... D15/139

D388,444 S \* 12/1997 Satran ..... D15/139  
D404,406 S \* 1/1999 Satran ..... D15/139  
D485,852 S \* 1/2004 Arvidsson ..... D15/139  
D486,505 S \* 2/2004 Arvidsson ..... D15/139  
D487,281 S \* 3/2004 Roman ..... D15/139  
D637,214 S \* 5/2011 Saito ..... D15/139  
D638,041 S \* 5/2011 Saito ..... D15/139  
D688,716 S \* 8/2013 Lampe ..... D15/139  
D736,841 S \* 8/2015 Jung ..... D15/139  
D748,703 S \* 2/2016 Nam ..... D15/139  
D752,664 S \* 3/2016 Jung ..... D15/139  
D755,267 S \* 5/2016 Lee ..... D15/139

\* cited by examiner

*Primary Examiner* — Patricia Palasik

(74) *Attorney, Agent, or Firm* — Rabin & Berdo, P.C.

(57) **CLAIM**

The ornamental design for a cutting insert, as shown and described.

**DESCRIPTION**

FIG. 1 is a perspective view of a cutting insert showing my new design;

FIG. 2 is a front elevational view thereof;

FIG. 3 is a rear elevational view thereof;

FIG. 4 is a left side elevational view thereof;

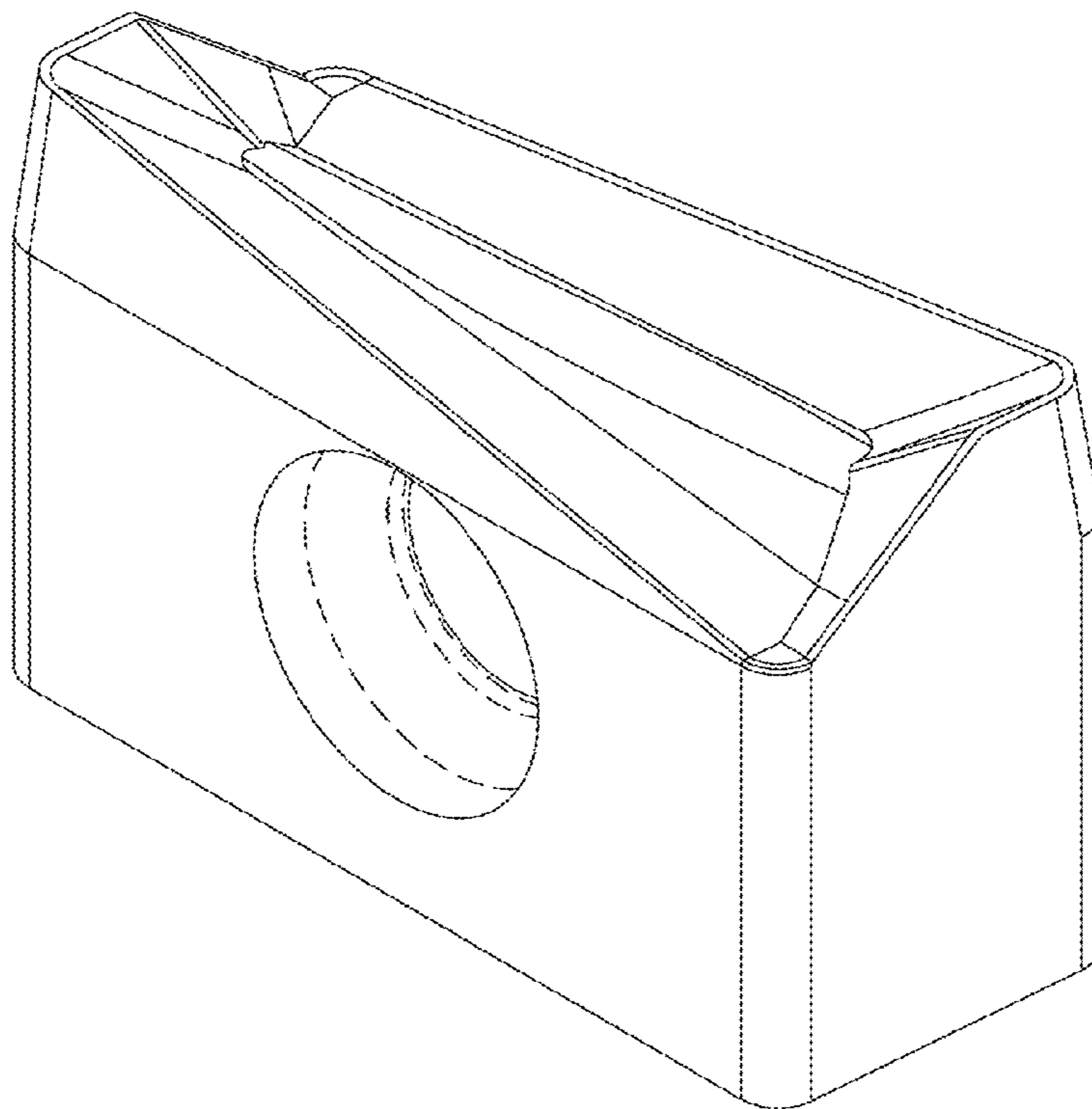
FIG. 5 is a right side elevational view thereof;

FIG. 6 is a top plan view thereof; and,

FIG. 7 is a bottom plan view thereof.

The broken lines in the drawings depict unclaimed environmental subject matter.

**1 Claim, 7 Drawing Sheets**



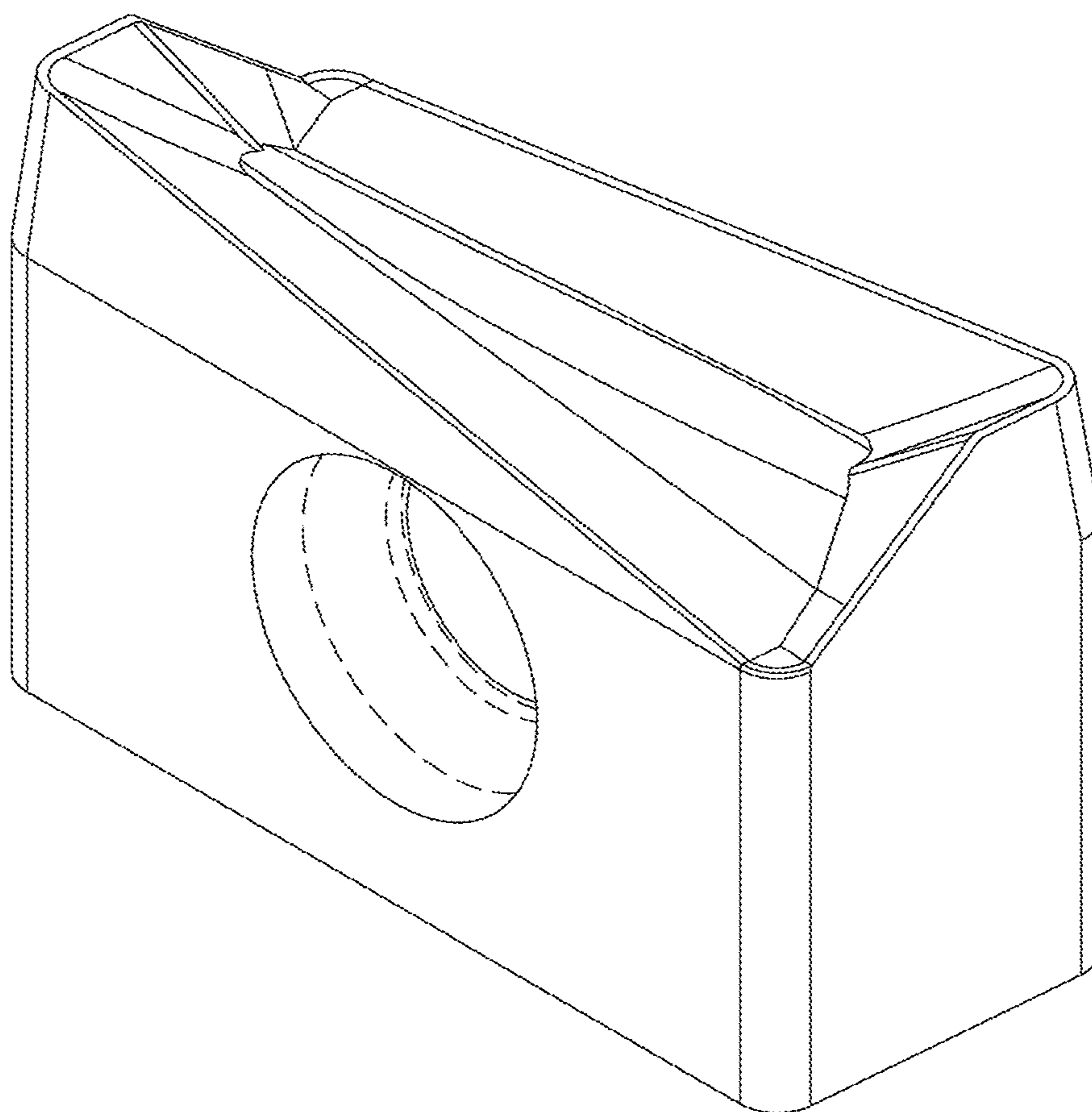


FIG. 1

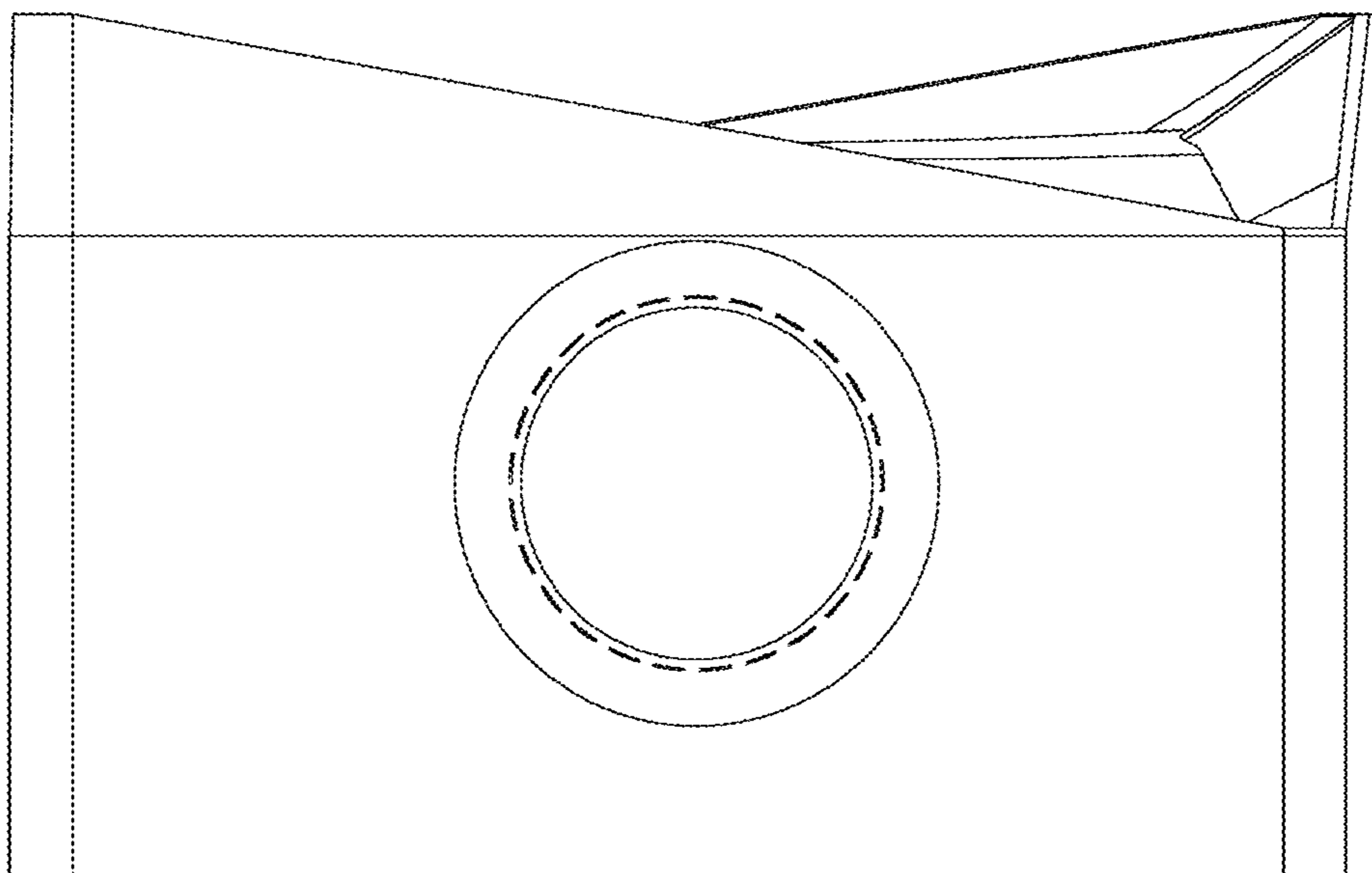


FIG. 2

FIG. 3

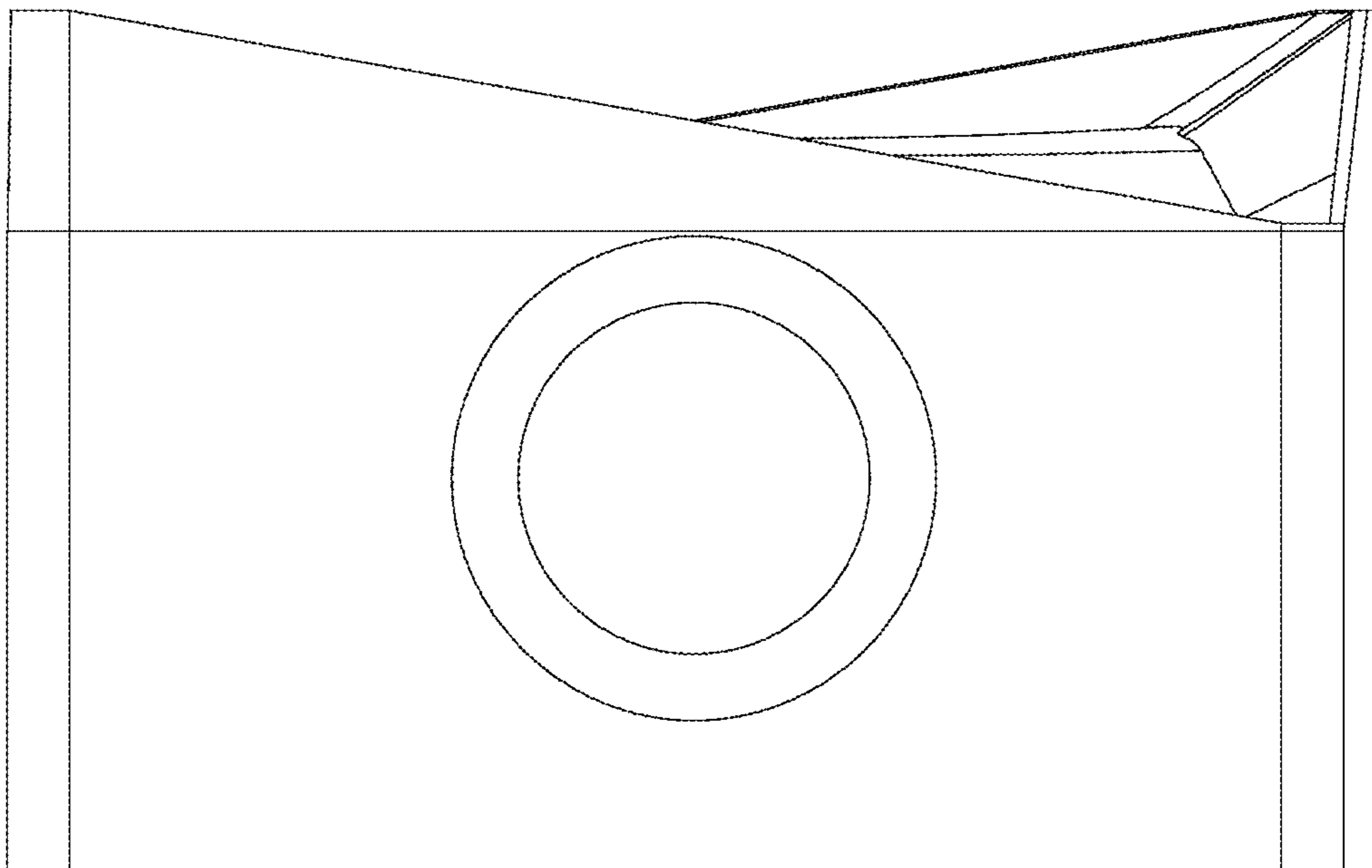


FIG. 4

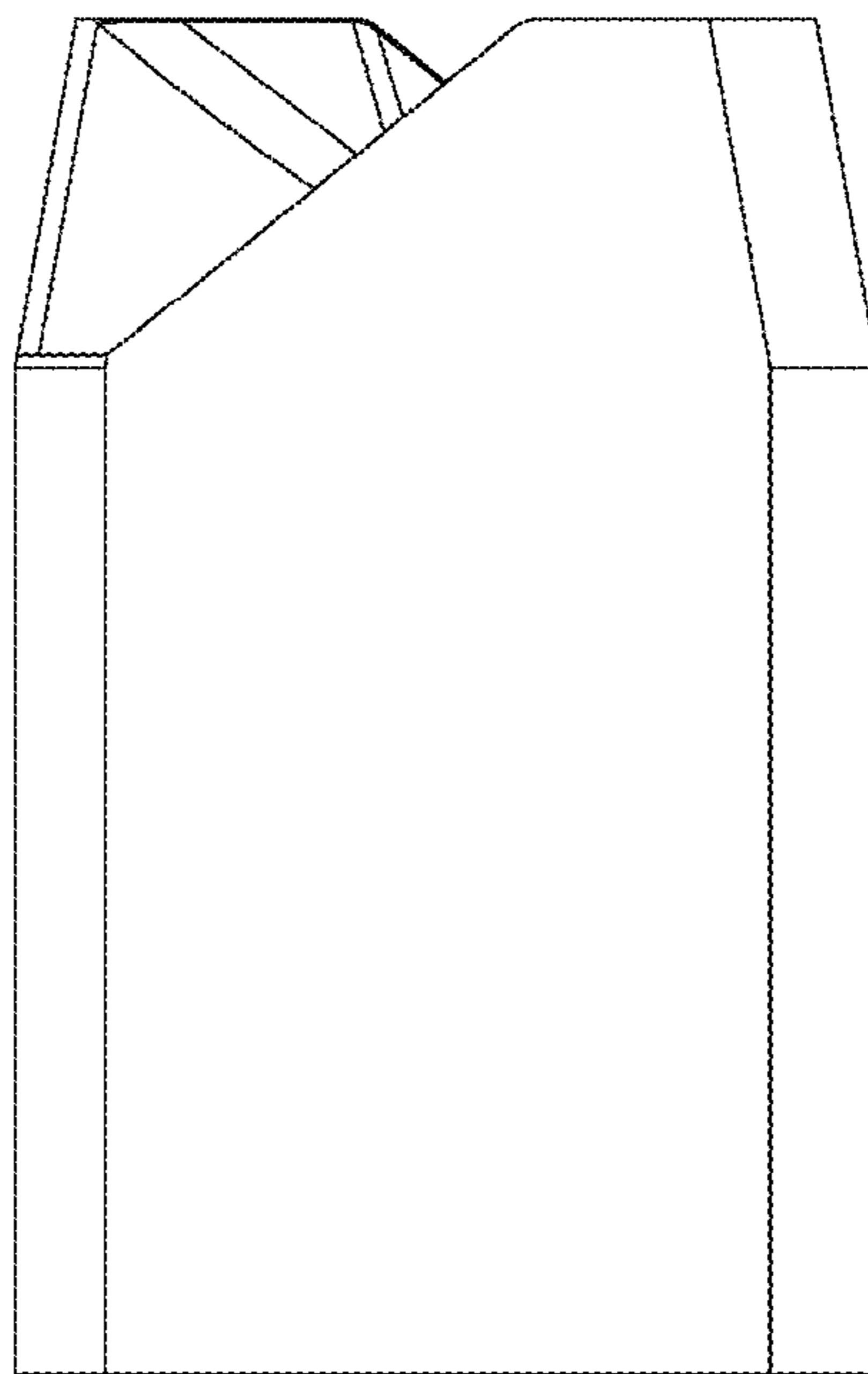


FIG. 5

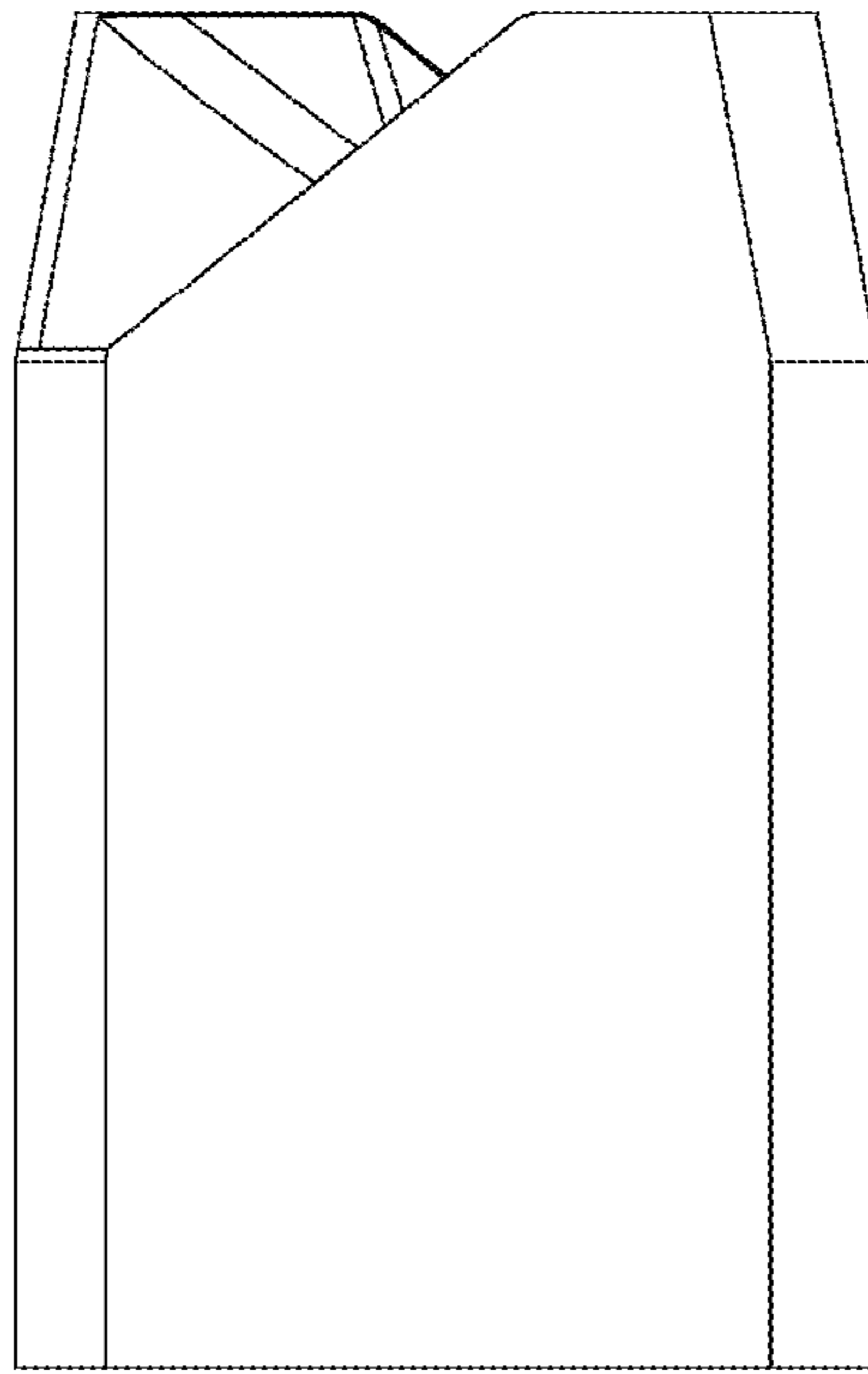


FIG. 6

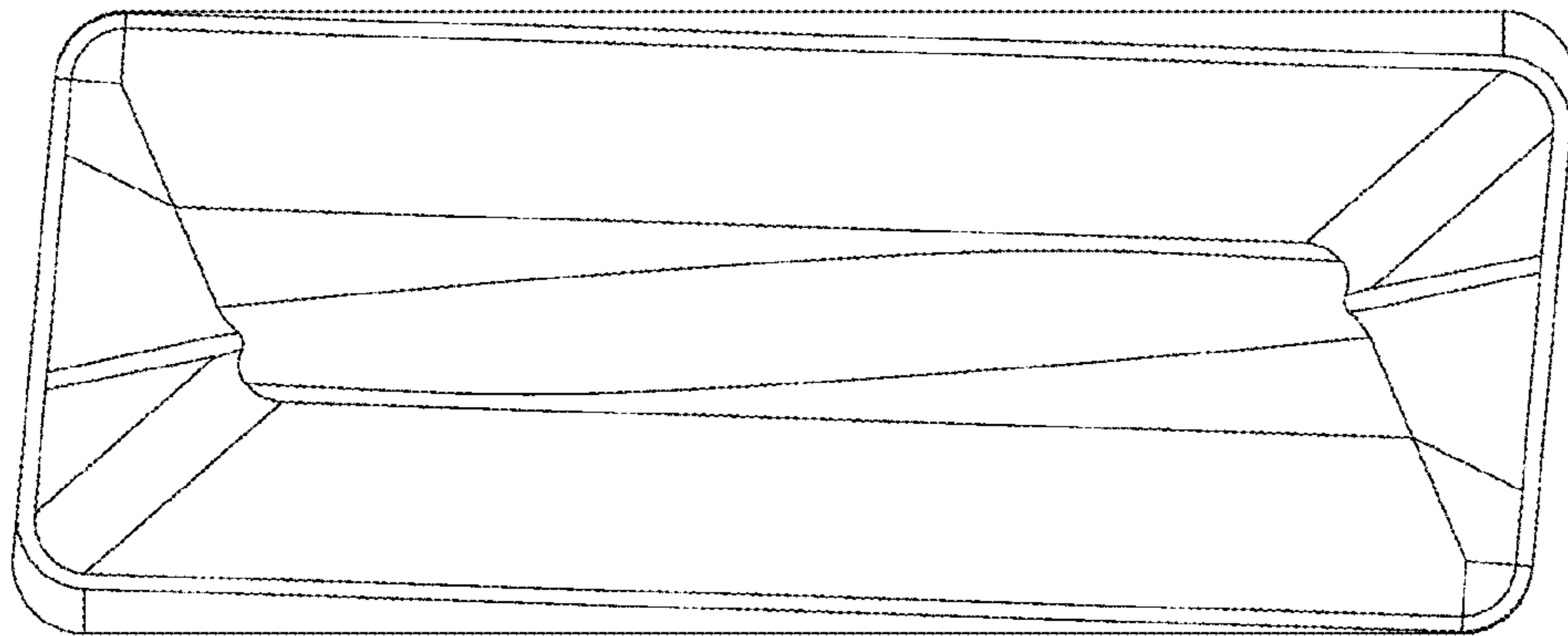


FIG. 7

